



US00D843615S

(12) **United States Design Patent** (10) **Patent No.:** **US D843,615 S**
Nordmann (45) **Date of Patent:** **** Mar. 19, 2019**

(54) **HEADLIGHT FOR A VEHICLE**
(71) Applicant: **Bayerische Motoren Werke Aktiengesellschaft, Munich (DE)**
(72) Inventor: **Christoph Nordmann, Munich (DE)**
(73) Assignee: **Bayerische Motoren Werke Aktiengesellschaft, Munich (DE)**

D767,176 S * 9/2016 Faghihzadeh D26/28
D767,177 S * 9/2016 Faghihzadeh D26/28
D796,709 S * 9/2017 Lai D26/28
D797,332 S * 9/2017 Lin D26/28
D801,563 S * 10/2017 Hannemann D26/28
D802,182 S * 11/2017 Hannemann D26/28
D802,812 S * 11/2017 Lai D26/28
D824,058 S * 7/2018 Hong D26/28
D827,884 S * 9/2018 Hannemann D26/28
D828,590 S * 9/2018 Hannemann D26/28

(**) Term: **15 Years**
(21) Appl. No.: **29/602,951**
(22) Filed: **May 5, 2017**

FOREIGN PATENT DOCUMENTS

WO WO DM/076561 2/2012
WO WO DM/078972 2/2013
WO WO DM/079708 6/2013
WO WO DM/081878 4/2014
WO WO DM/088023 4/2016

(30) **Foreign Application Priority Data**
Nov. 10, 2016 (DE) 40 2016 101 367
(51) **LOC (11) Cl.** **26-07**
(52) **U.S. Cl.**
USPC **D26/28**
(58) **Field of Classification Search**
USPC D26/28, 29, 30, 31, 32, 33, 34, 35, 36;
362/459-468, 475-478, 485-487
CPC F21S 48/00; F21S 48/10; F21S 48/115;
F21S 48/225; F21S 48/1233; F21S
48/1266; F21S 48/1388; F21S 48/2268;
F21V 21/04
See application file for complete search history.

* cited by examiner

Primary Examiner — Angela J Lee
(74) *Attorney, Agent, or Firm* — Crowell & Moring LLP

(56) **References Cited**
U.S. PATENT DOCUMENTS
D686,356 S 7/2013 Morgenstern
D740,978 S * 10/2015 Lee D26/28
D743,065 S * 11/2015 Weil D26/28
D762,894 S * 8/2016 Luk D26/28

(57) **CLAIM**

The ornamental design for a headlight for a vehicle, as shown and described.

DESCRIPTION

FIG. 1 is a front view of a headlight for a vehicle according to the design;
FIG. 2 is a right perspective view thereof;
FIG. 3 is a top perspective view thereof;
FIG. 4 is a right side view thereof;
FIG. 5 is a left side view thereof;
FIG. 6 is a top view thereof;
FIG. 7 is a bottom view thereof; and,
FIG. 8 is a rear view thereof.

1 Claim, 8 Drawing Sheets

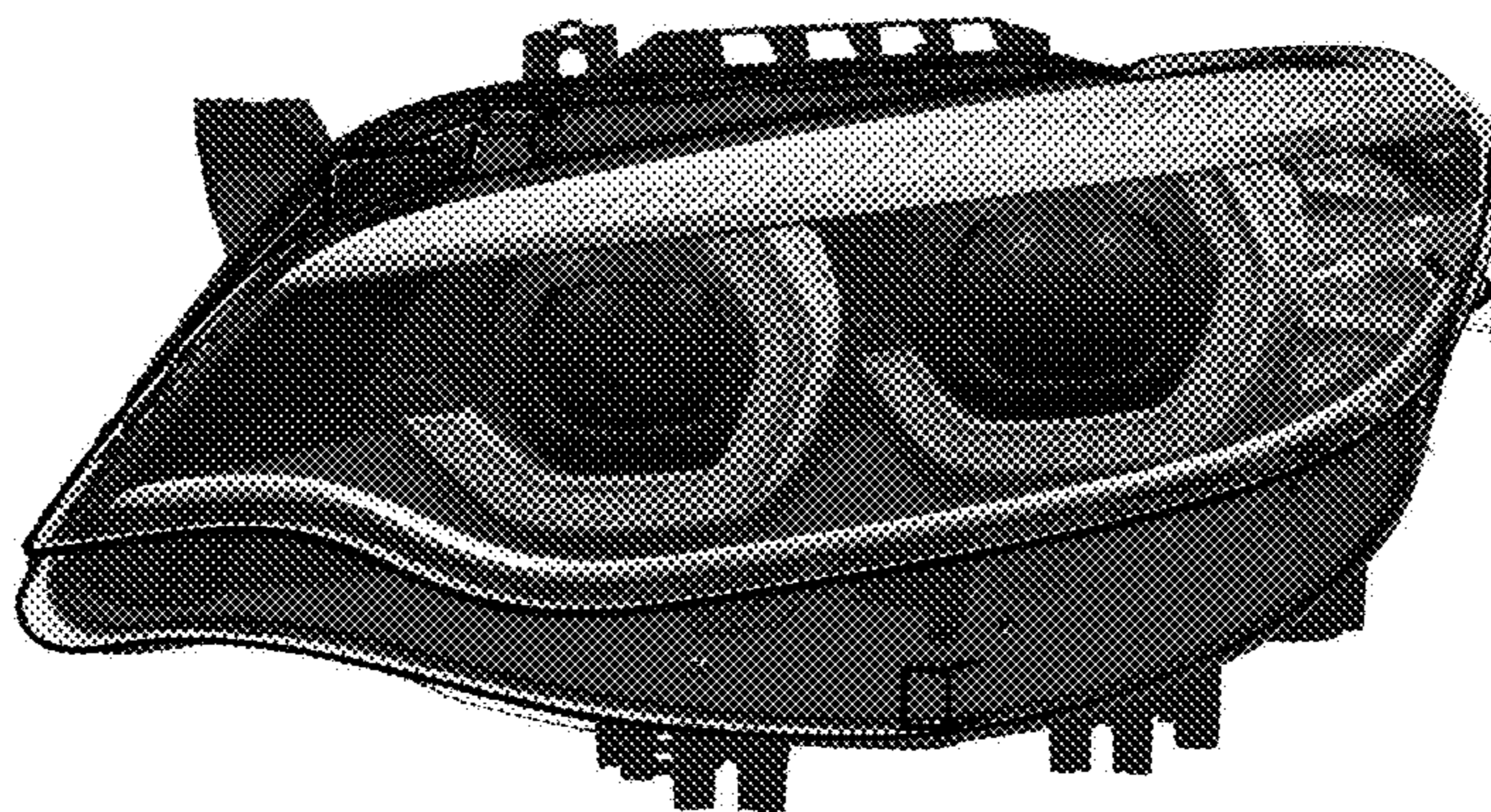




Fig. 1

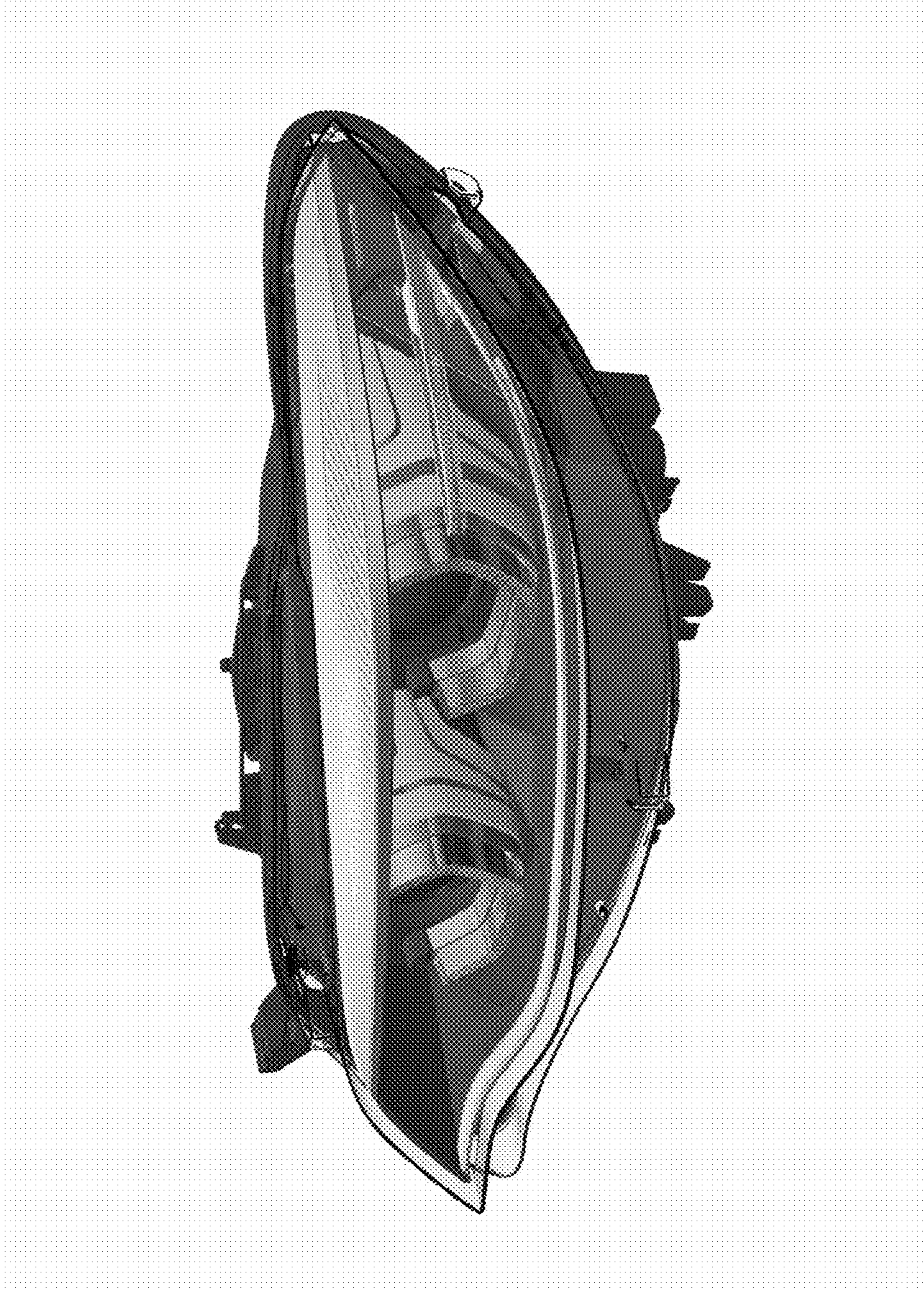


Fig. 2



Fig. 3



Fig. 4

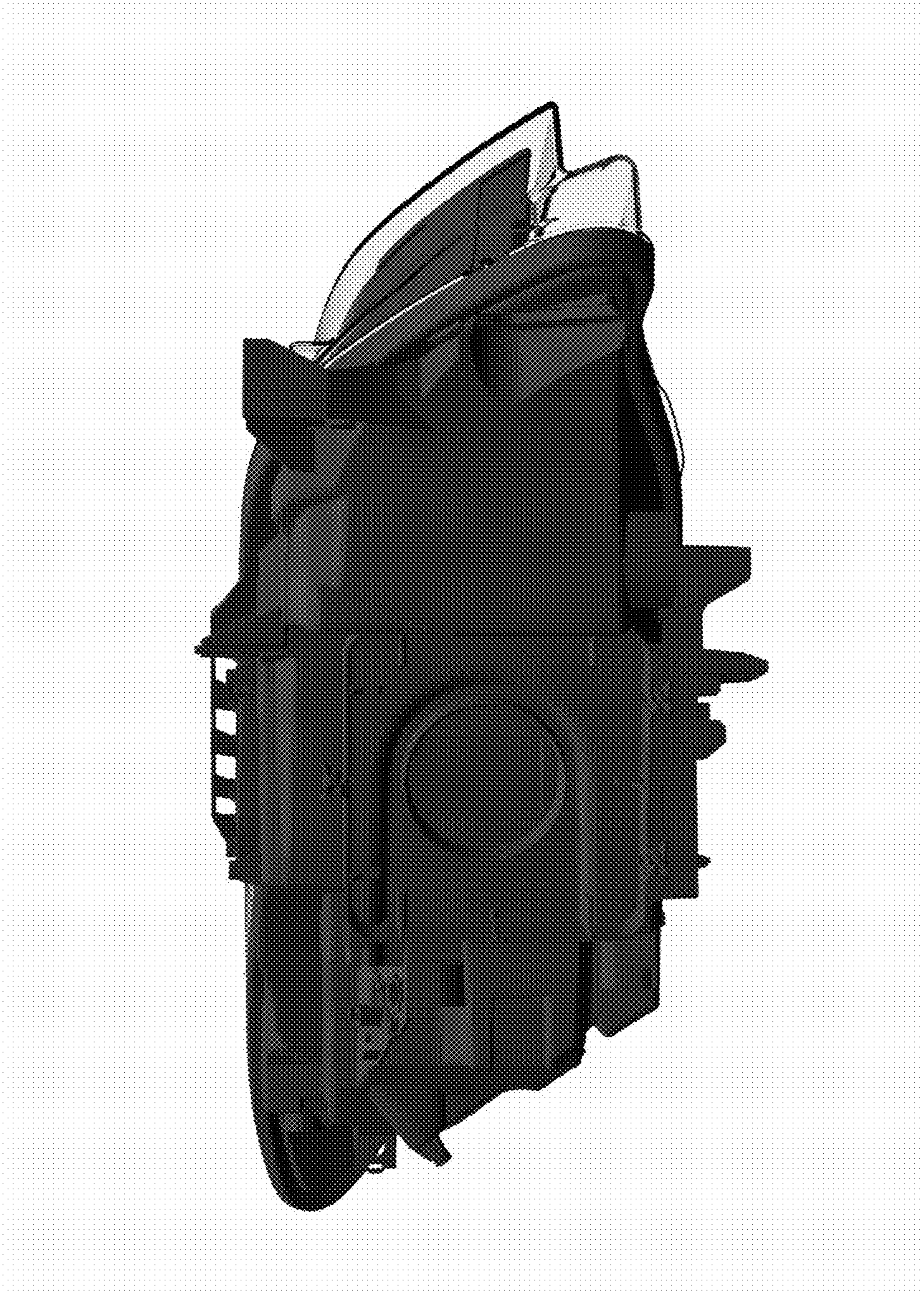


Fig. 5



Fig. 6

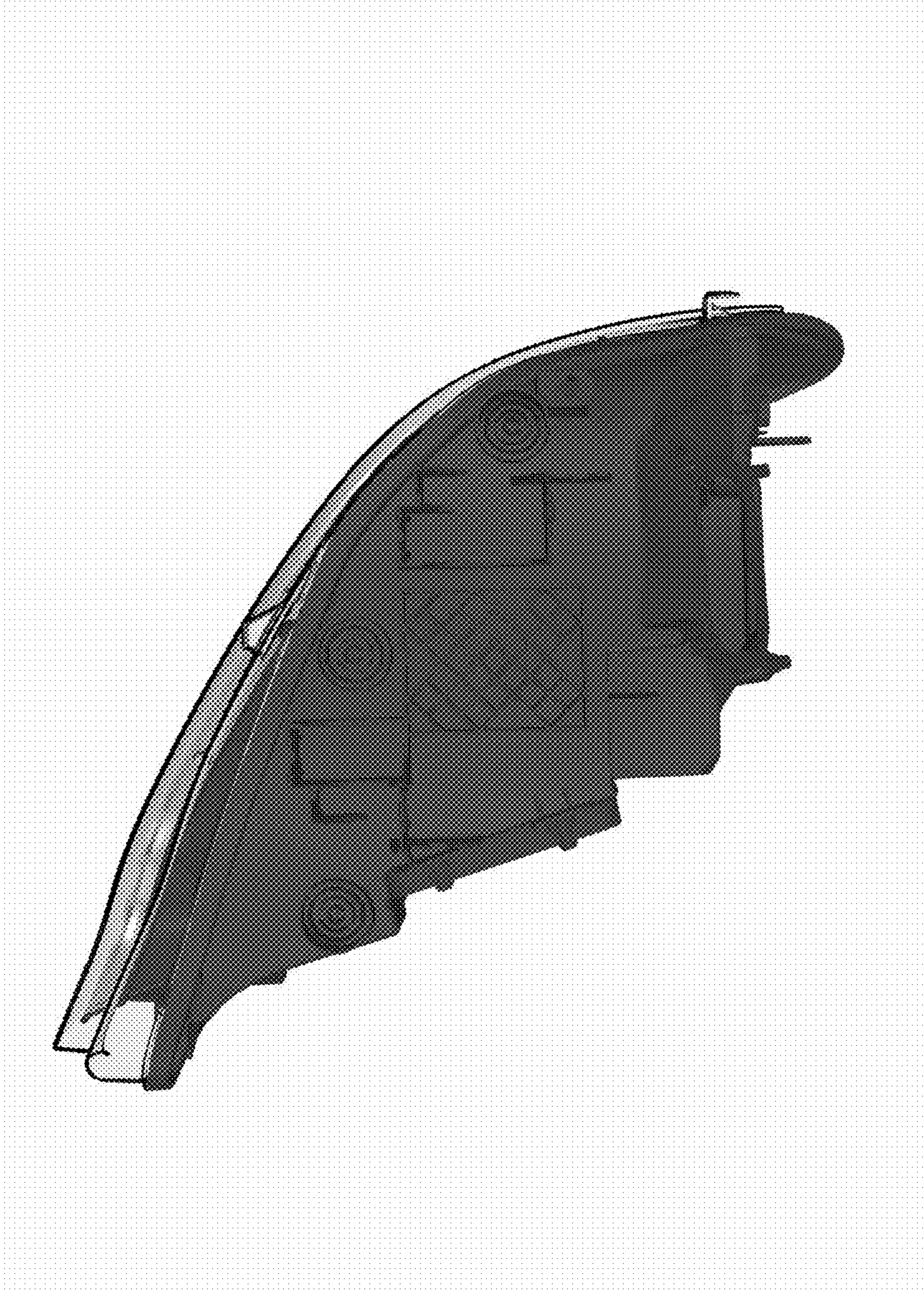


Fig. 7



Fig. 8