



US00D843613S

(12) **United States Design Patent** (10) **Patent No.:** **US D843,613 S**  
**Hodohara et al.** (45) **Date of Patent:** **\*\* Mar. 19, 2019**

(54) **LIGHT EMITTING DIODE**

(71) Applicants: **CITIZEN ELECTRONICS CO., LTD.**, Fujiyoshida-shi, Yamanashi (JP); **CITIZEN WATCH CO., LTD.**, Tokyo (JP)

(72) Inventors: **Teruhiko Hodohara**, Tsuru (JP); **Tsuyoshi Sato**, Fuefuki (JP)

(73) Assignees: **CITIZEN ELECTRONICS CO., LTD.**, Yamanashi (JP); **CITIZEN WATCH CO., LTD.**, Tokyo (JP)

(\*\*) Term: **15 Years**

(21) Appl. No.: **29/617,896**

(22) Filed: **Sep. 15, 2017**

(51) **LOC (11) Cl.** ..... **26-04**

(52) **U.S. Cl.**  
USPC ..... **D26/1; D13/180**

(58) **Field of Classification Search**  
USPC ..... **D26/1; D13/180**  
(Continued)

(56) **References Cited**

**U.S. PATENT DOCUMENTS**

D528,672 S *	9/2006	Nagai	.....	D26/1
D535,037 S *	1/2007	Kim	.....	D26/1

(Continued)

**FOREIGN PATENT DOCUMENTS**

JP	H2-044355	3/1990
JP	D1149267	8/2002

**OTHER PUBLICATIONS**

Unpublished U.S. Appl. No. 29/617,892, filed Sep. 15, 2017.  
Unpublished U.S. Appl. No. 29/617,895, filed Sep. 15, 2017.

*Primary Examiner* — Marcus A Jackson

(74) *Attorney, Agent, or Firm* — Procopio, Cory, Hargreaves & Savitch LLP

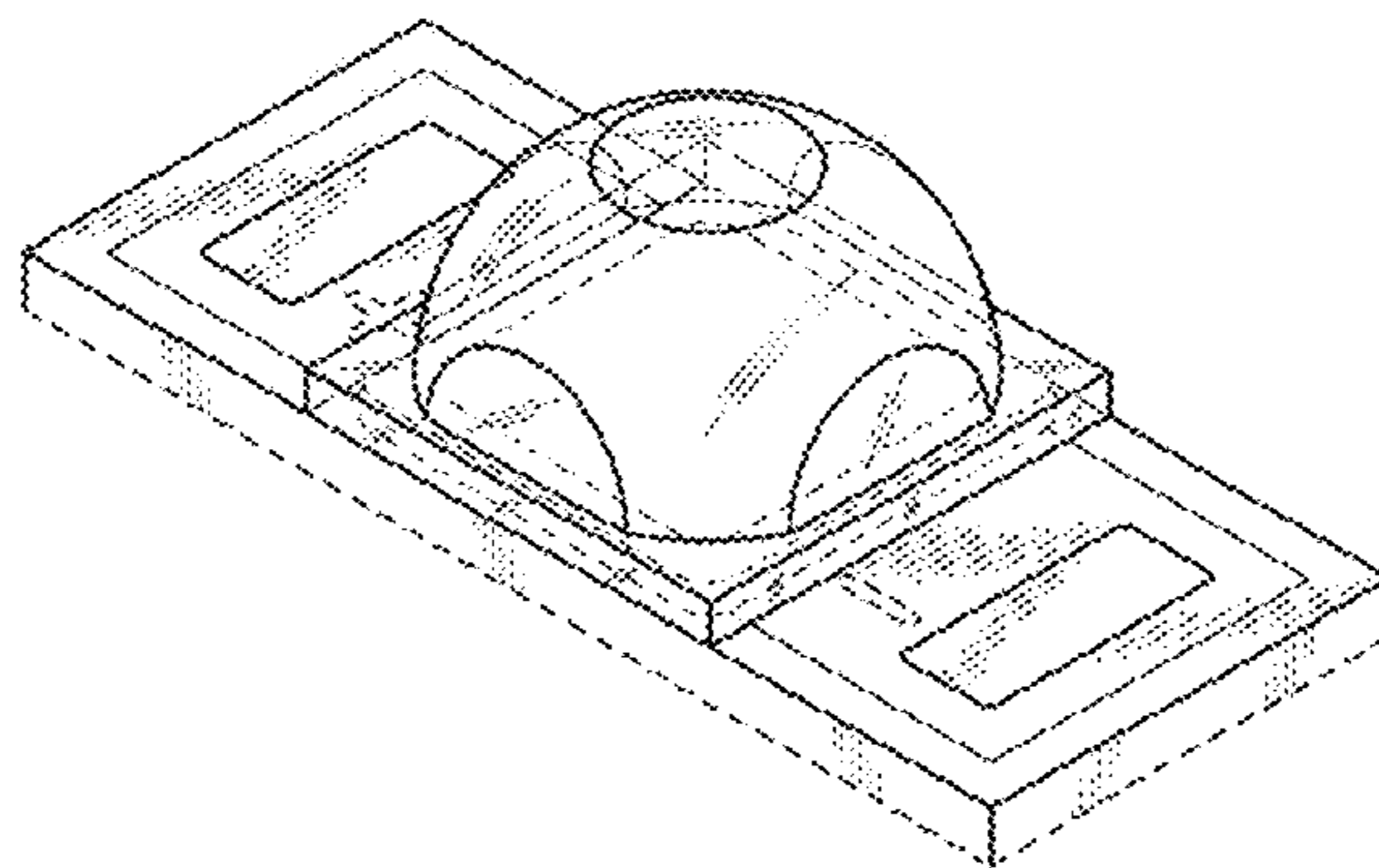
(57) **CLAIM**

The ornamental design for a light emitting diode, as shown and described.

**DESCRIPTION**

FIG. 1 is a perspective view of a light emitting diode showing our new design;  
 FIG. 2 is a top plan view thereof;  
 FIG. 3 is a front elevational view thereof; the rear elevational view is the same as the front elevational view;  
 FIG. 4 is a right side elevational view thereof; the left side elevational view is the same as the right side elevational view; and  
 FIG. 5 is a bottom plan view thereof.  
 FIG. 6 is a perspective view of the second embodiment of a light emitting diode showing our new design;  
 FIG. 7 is a top plan view thereof;  
 FIG. 8 is a front elevational view thereof; the rear elevational view is the same as the front elevational view;  
 FIG. 9 is a right side elevational view thereof; the left side elevational view is the same as the right side elevational view; and  
 FIG. 10 is a bottom plan view thereof.  
 FIG. 11 is a perspective view of the third embodiment of a light emitting diode showing our new design;  
 FIG. 12 is a top plan view thereof;  
 FIG. 13 is a front elevational view thereof;  
 FIG. 14 is a rear elevational view thereof;  
 FIG. 15 is a left side elevational view thereof;  
 FIG. 16 is a right side elevational view thereof; and,  
 FIG. 17 is a bottom plan view thereof.  
 The broken lines shown in the drawings are for illustrative purposes only and form no part of the claimed design.

**1 Claim, 10 Drawing Sheets**



(58) **Field of Classification Search**

CPC ..... H01L 25/167; H01L 31/02; H01L 33/00;  
H01L 33/04; H01L 33/08; H01L 33/10;  
H01L 33/20; H01L 33/38; H01L 33/42;  
H01L 33/48; H01L 33/62; F21K 9/00;  
F21K 9/30; F21K 9/54; H01R 5/00;  
H01R 13/46; H01R 13/514; H01R  
31/048; H01J 5/00; H01J 5/16; H01J  
5/48; H01J 5/50; H01J 19/54

See application file for complete search history.

(56) **References Cited**

U.S. PATENT DOCUMENTS

D578,671 S \* 10/2008 Kanayama ..... D26/1  
D746,240 S 12/2015 Bergmann et al.  
D800,679 S 10/2017 Omori

\* cited by examiner

FIG. 1

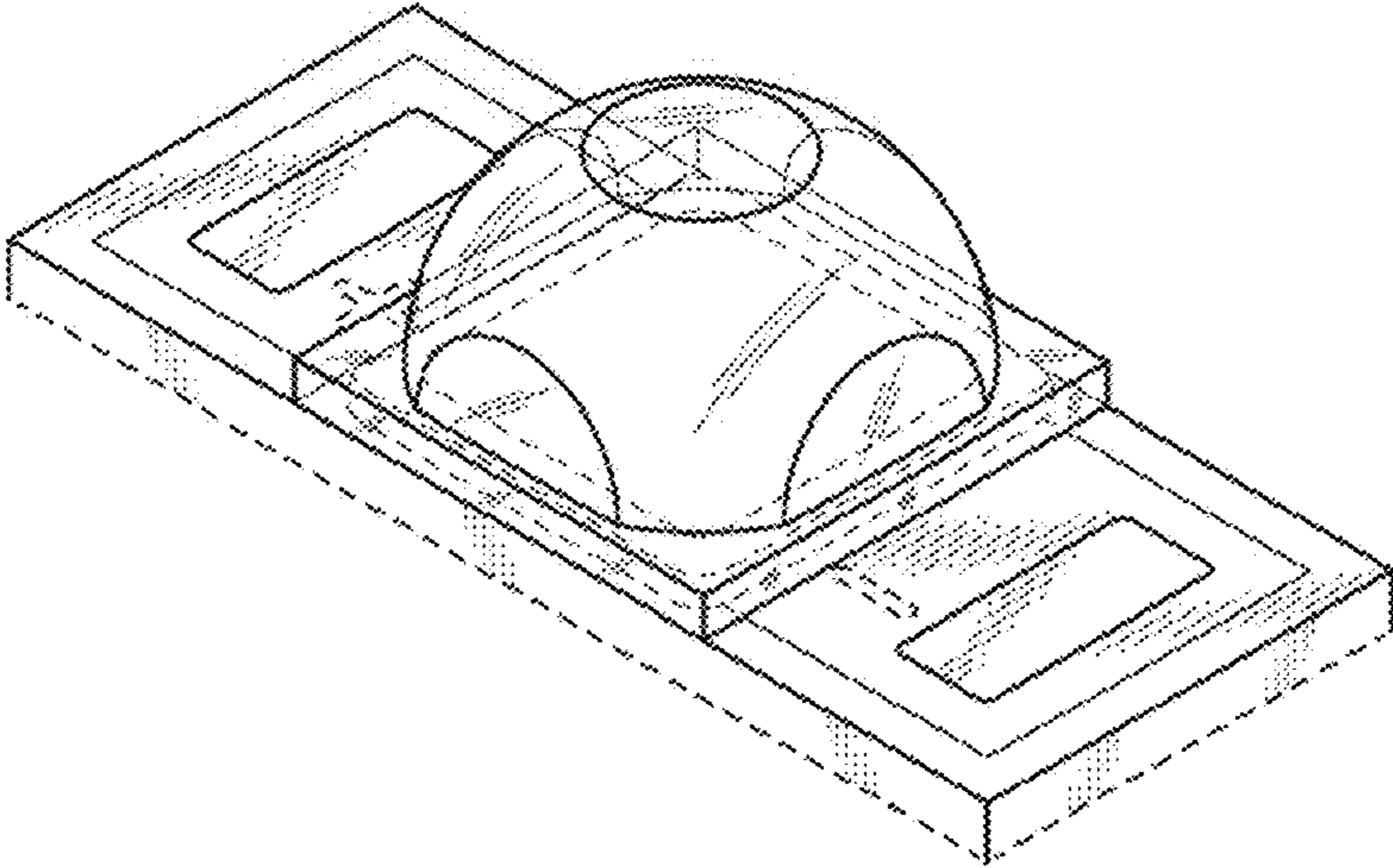


FIG. 2

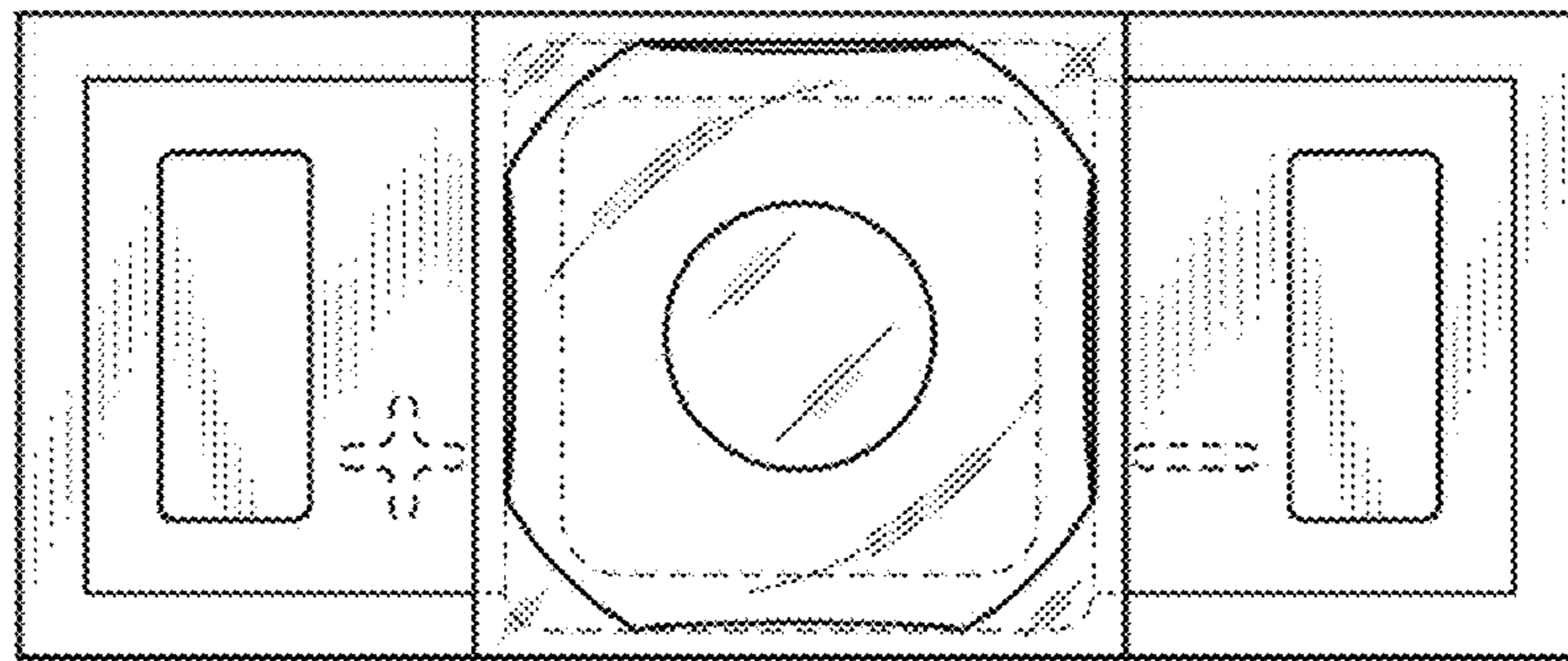


FIG. 3

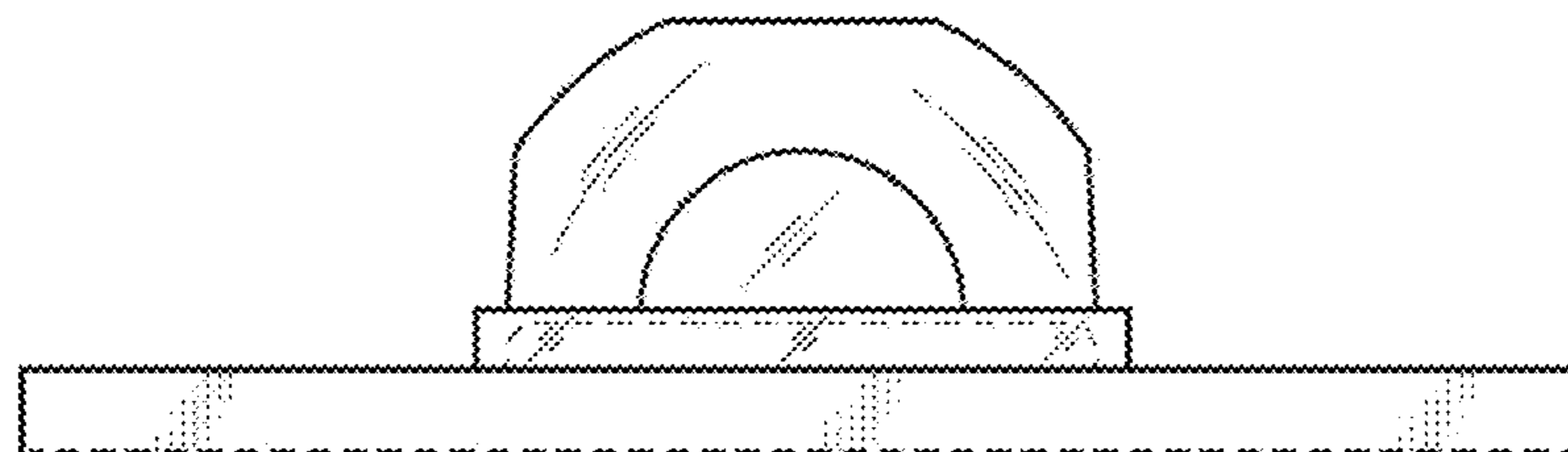


FIG. 4

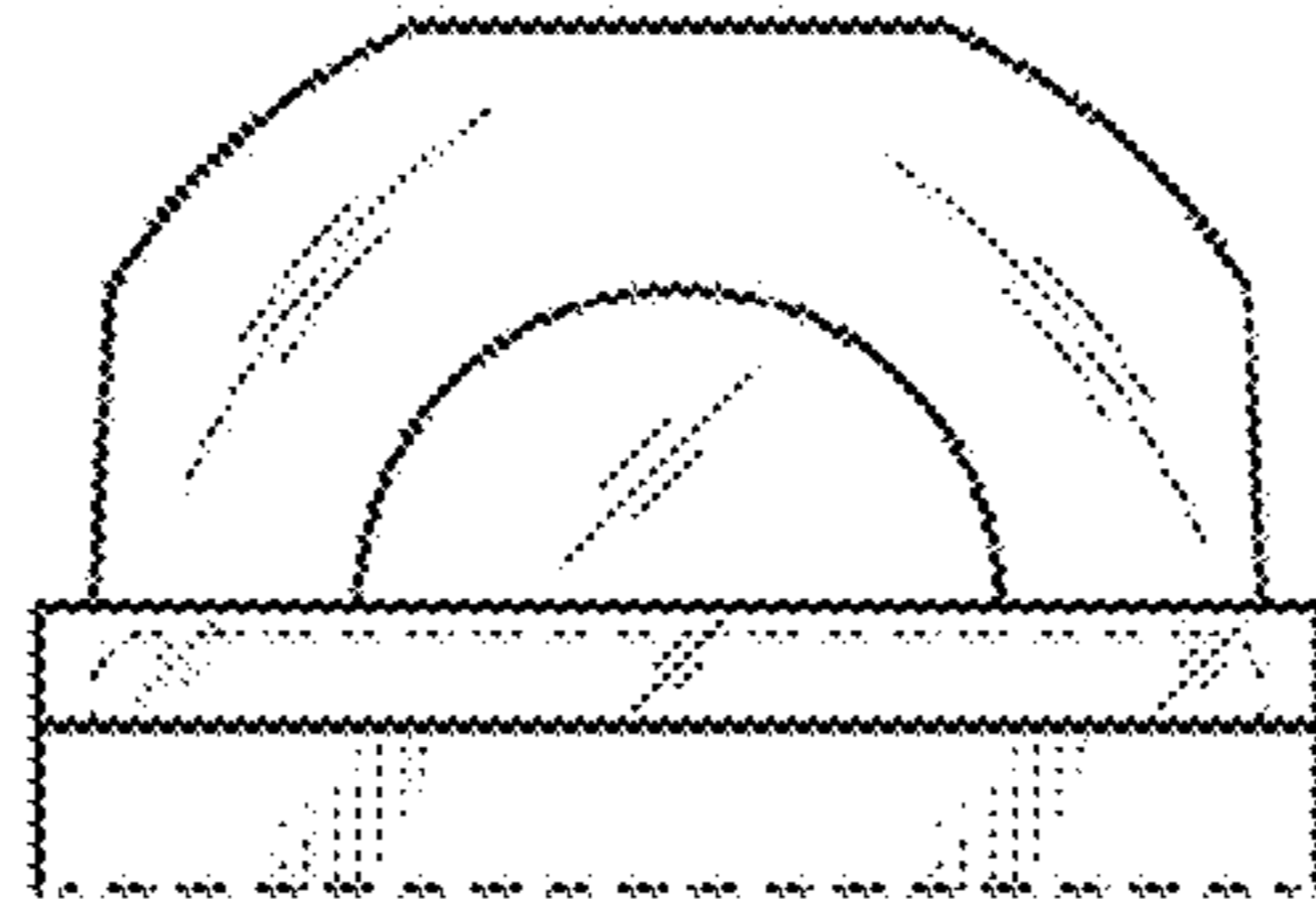


FIG. 5



FIG. 6

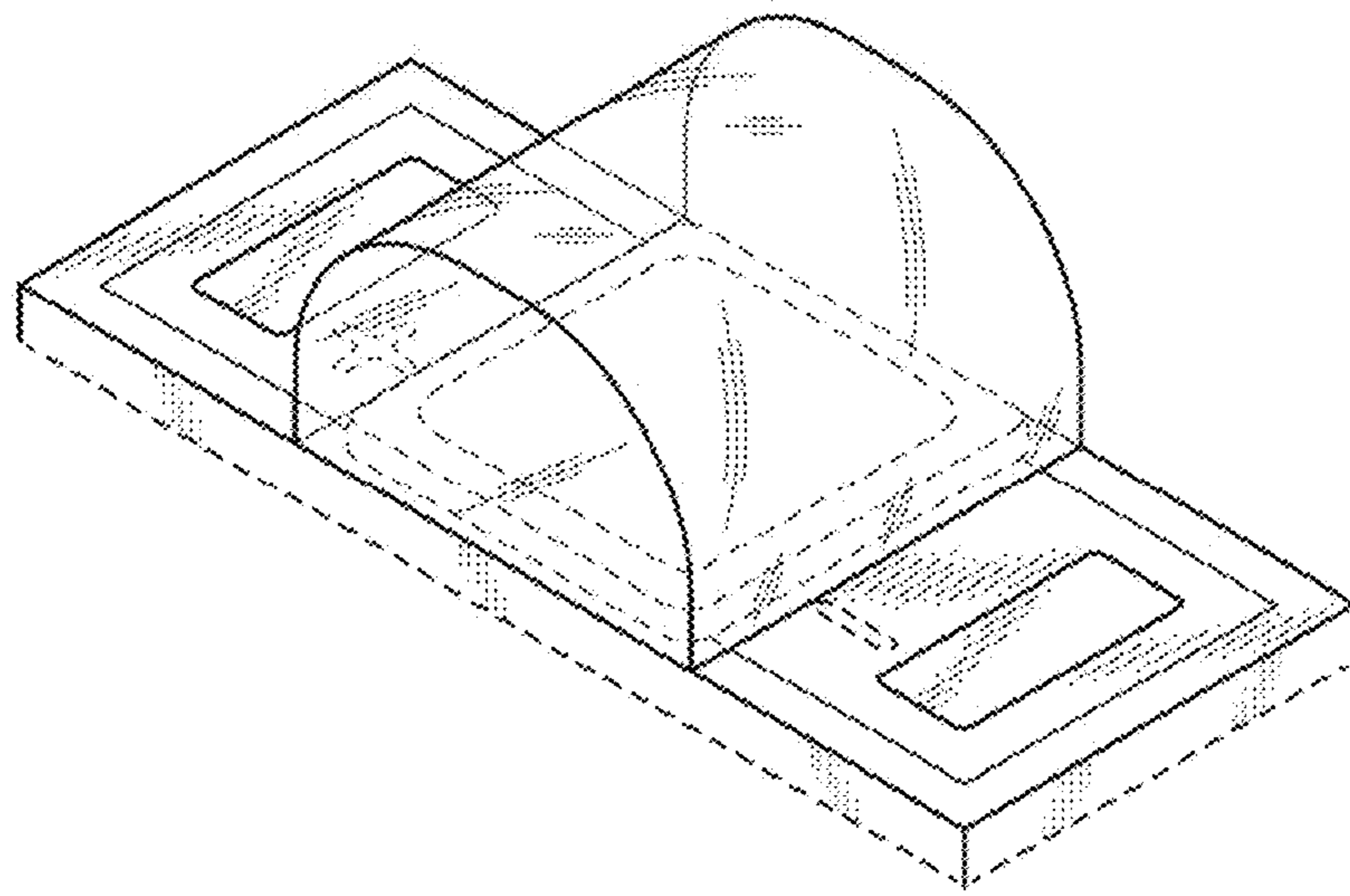




FIG. 7

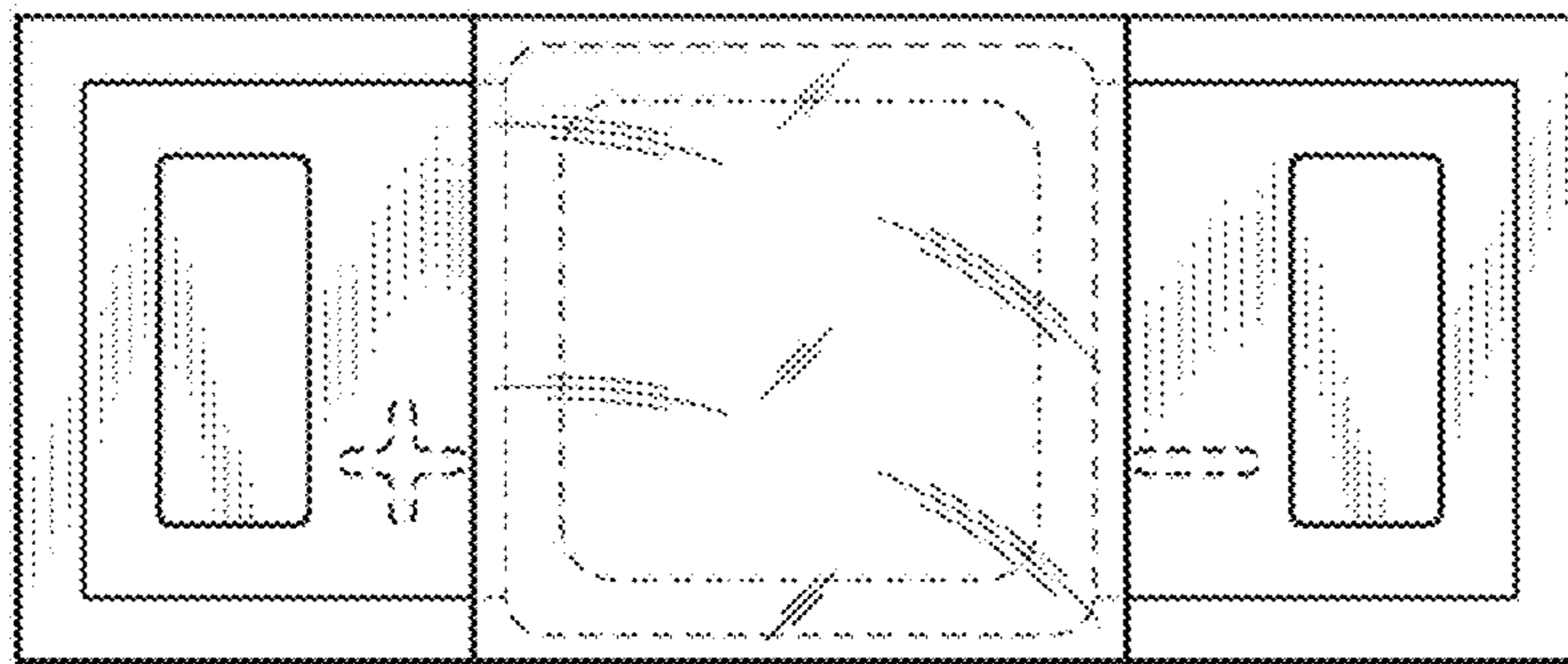


FIG. 8

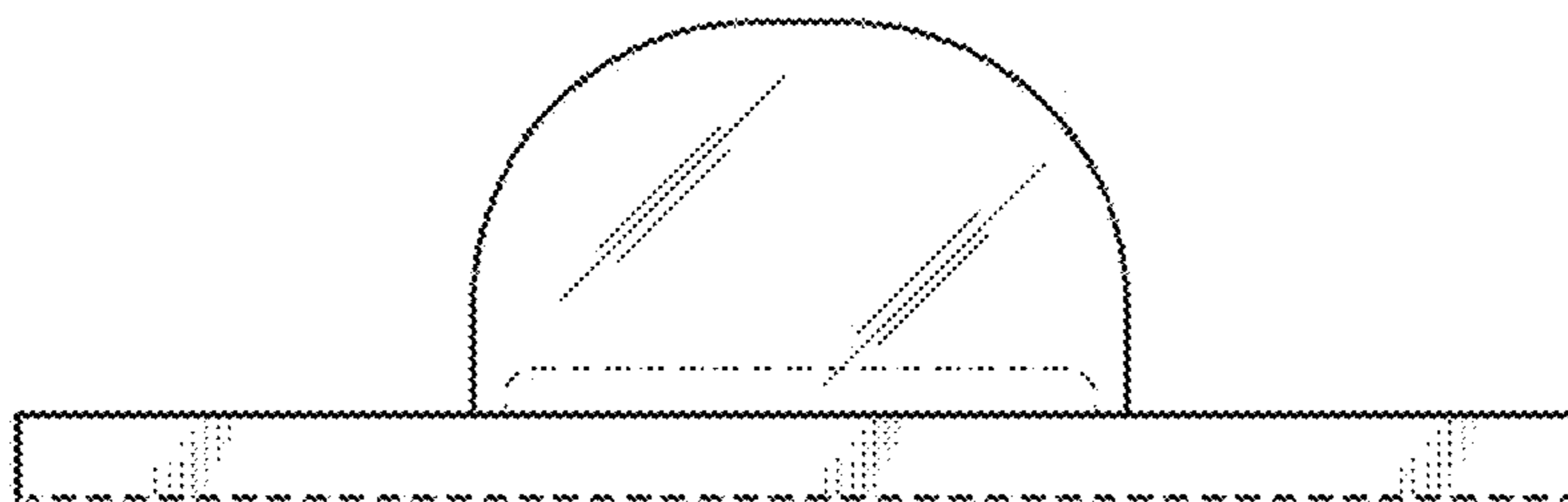


FIG. 9

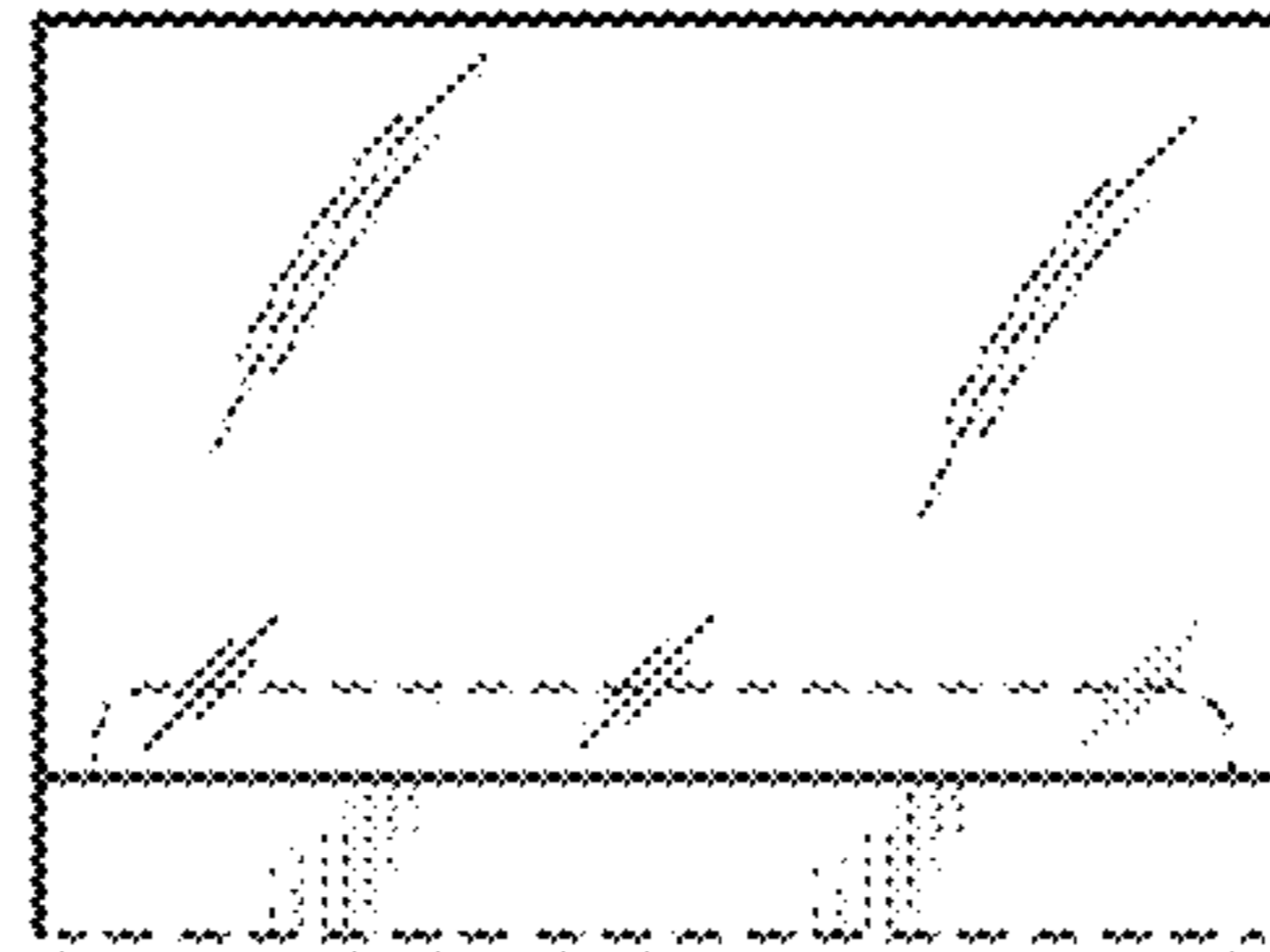


FIG. 10





FIG. 11

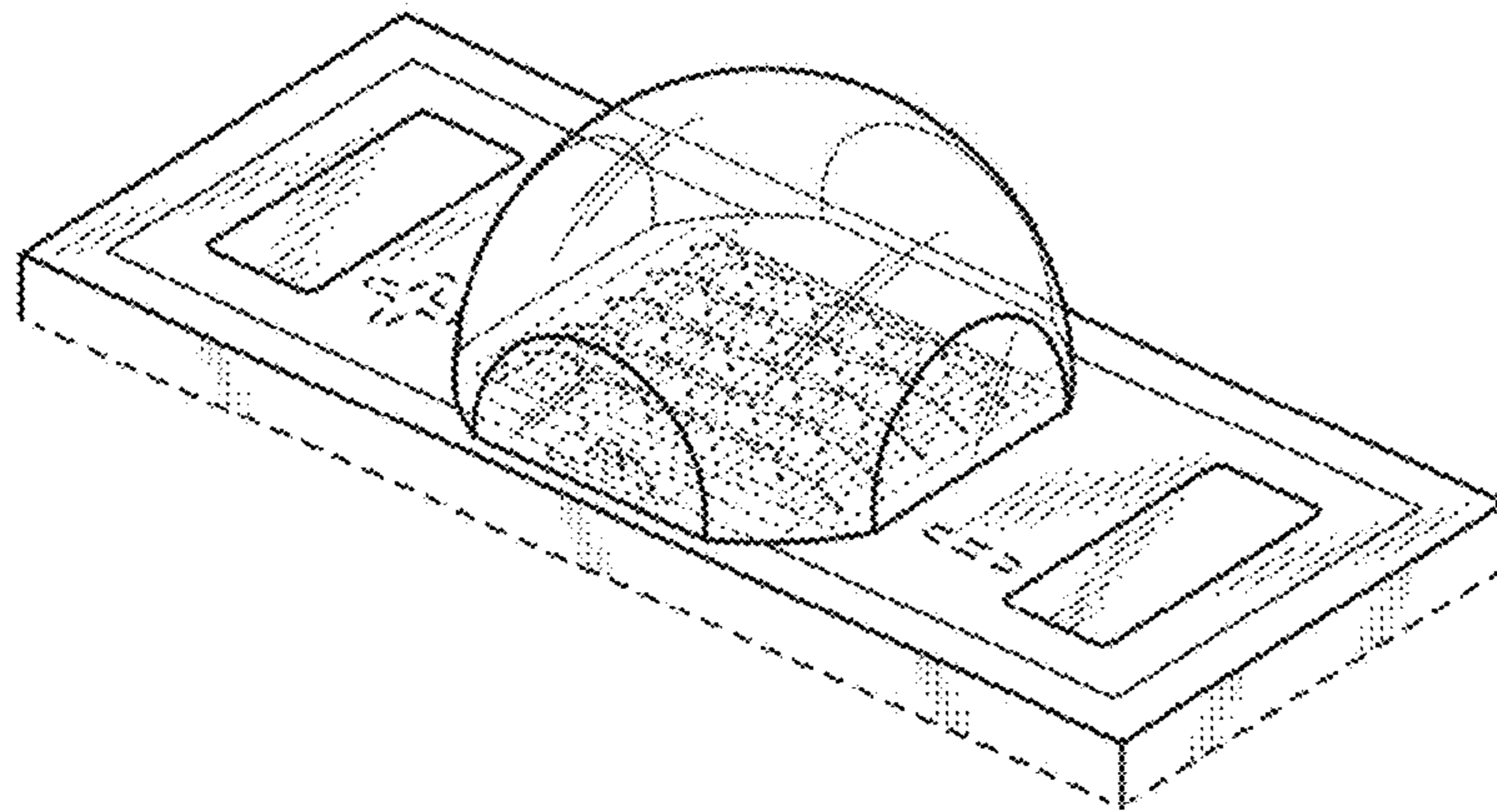


FIG. 12

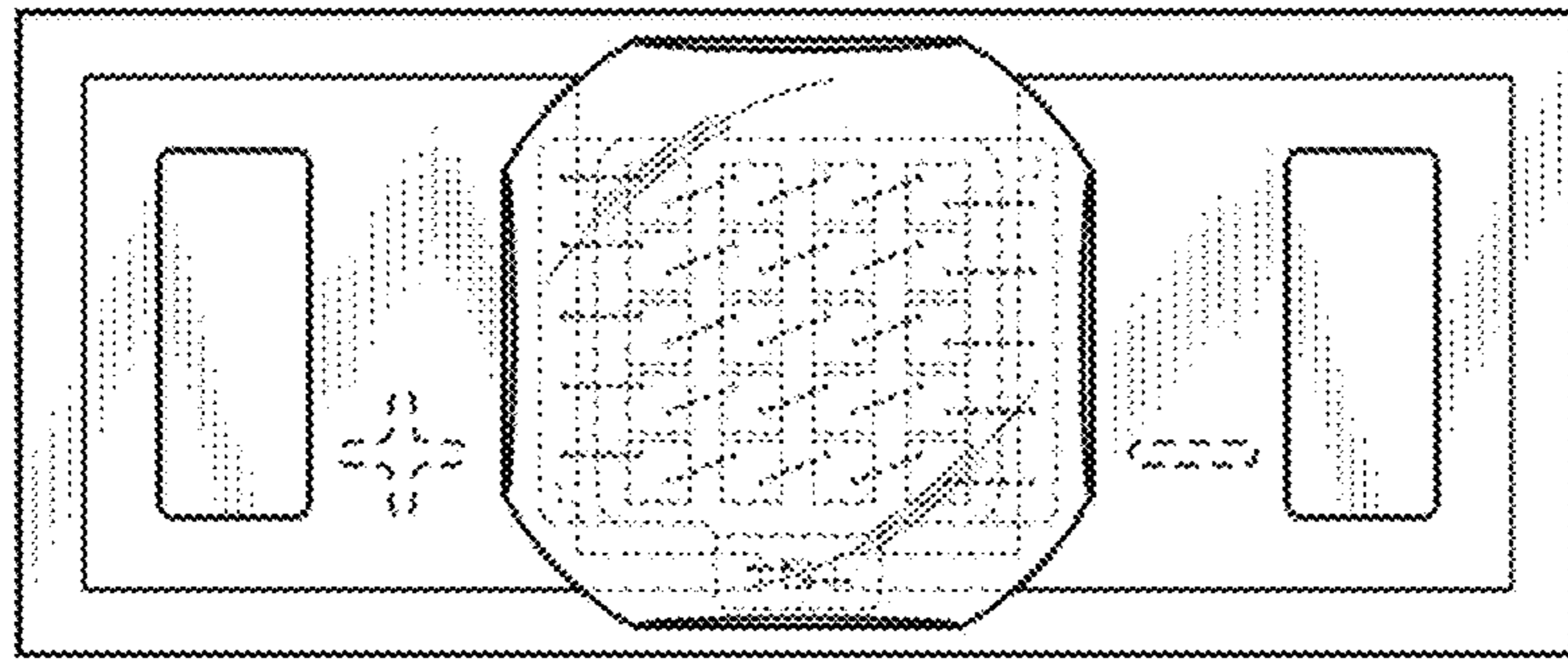


FIG. 13

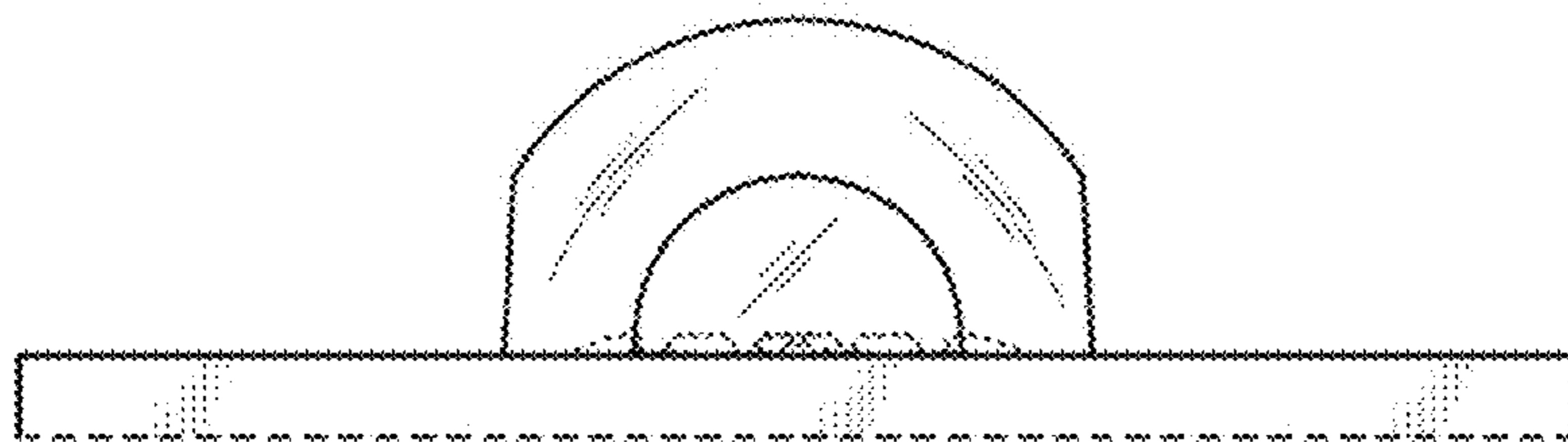


FIG. 14

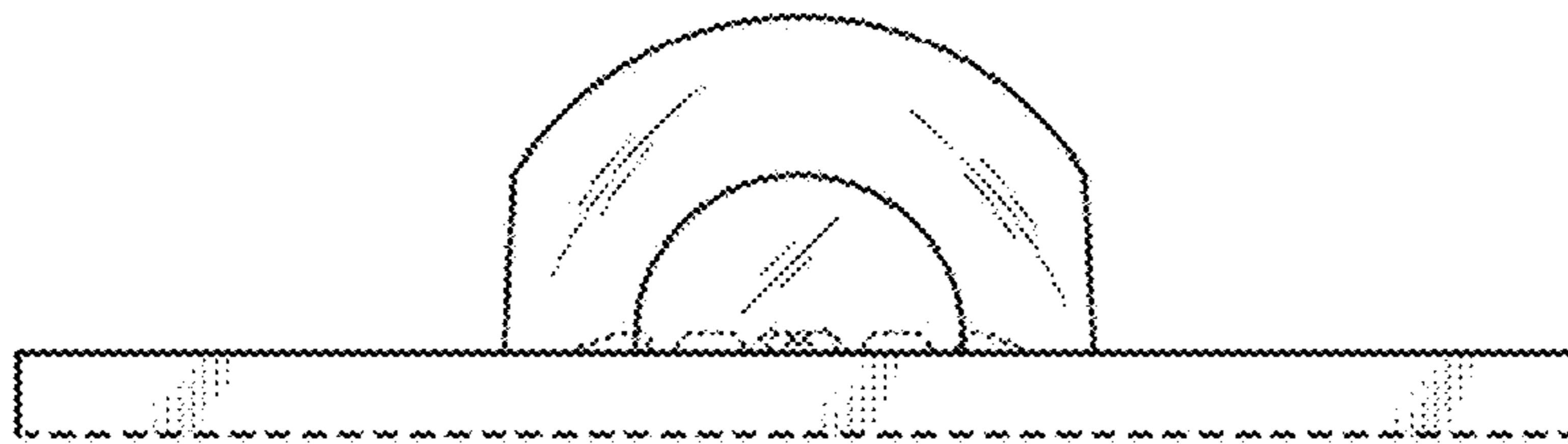


FIG. 15

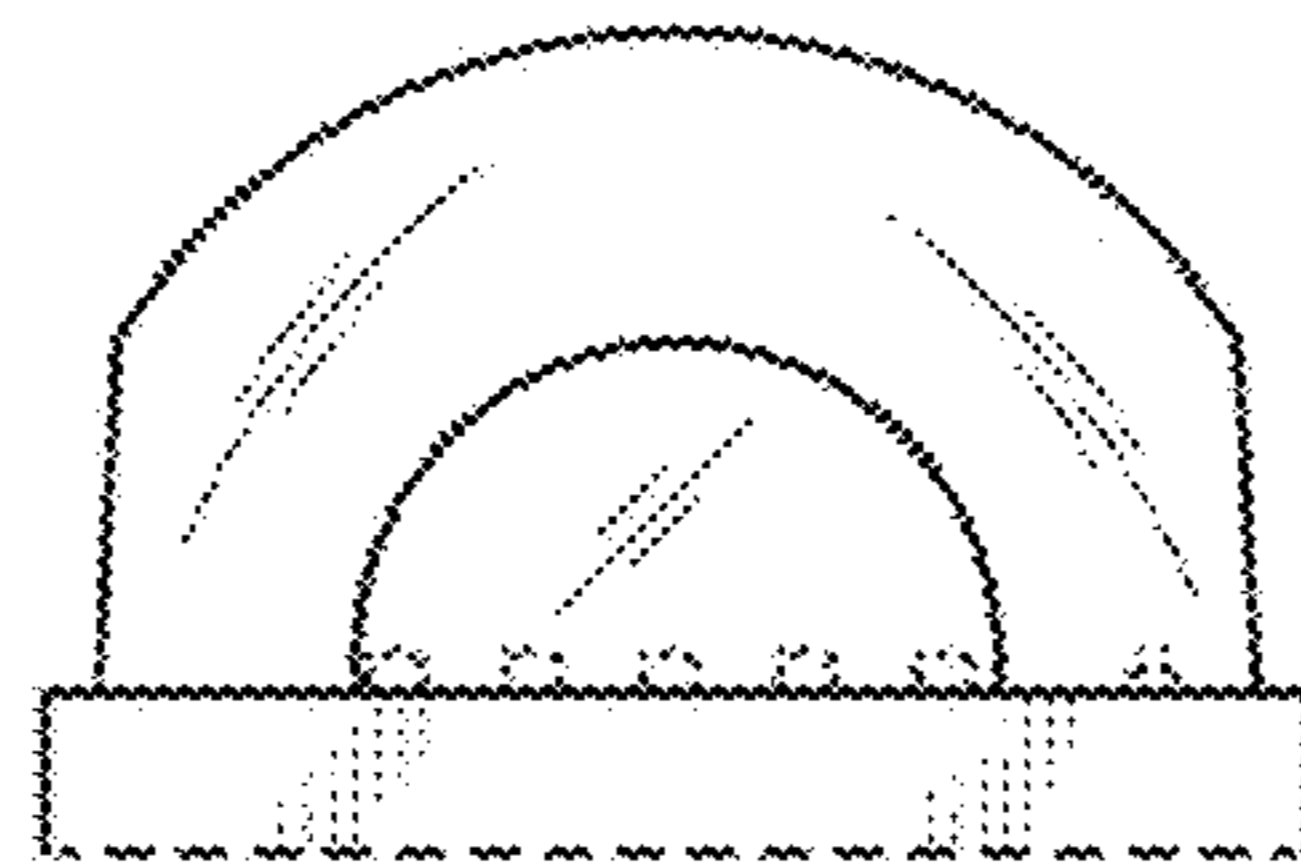


FIG. 16

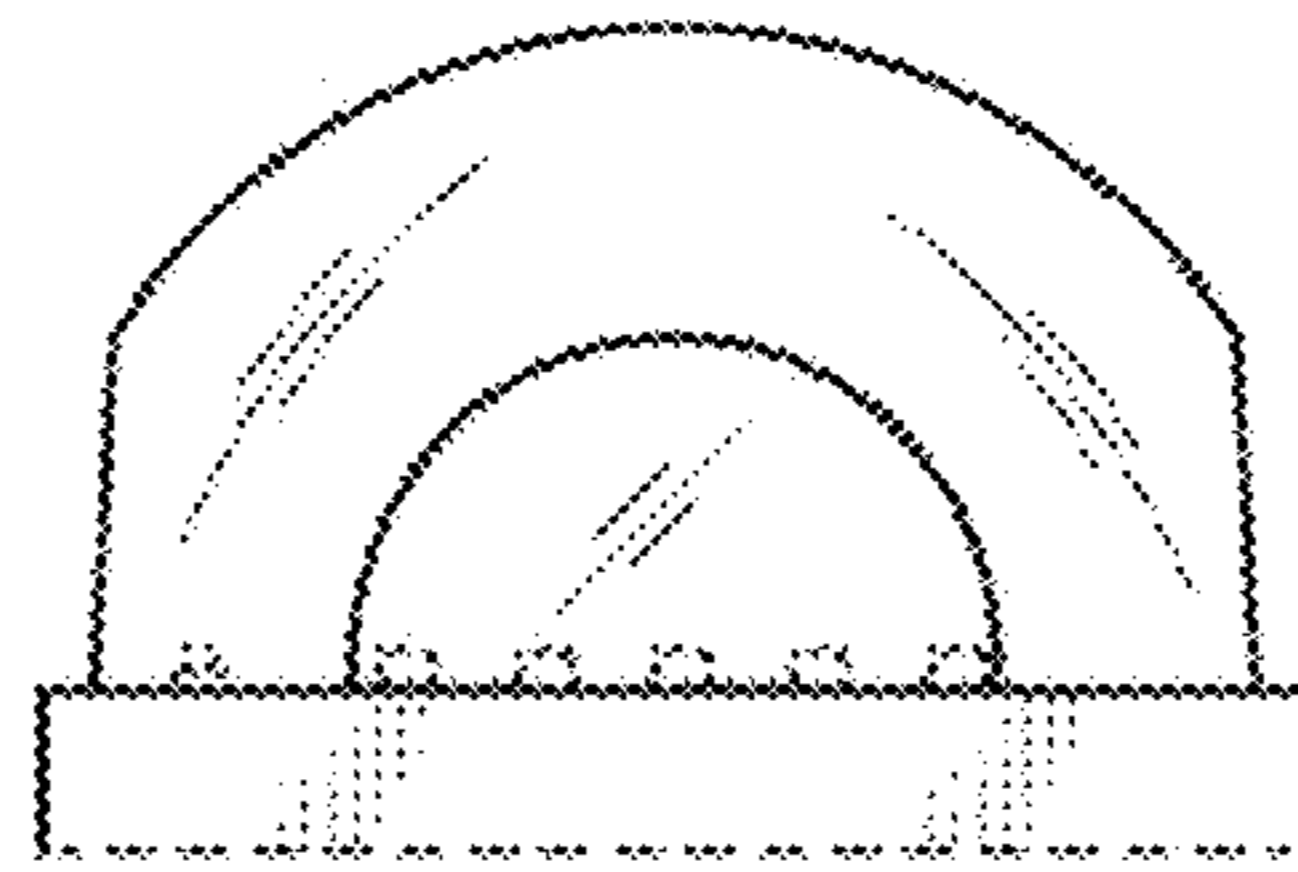


FIG. 17

