



US00D843612S

(12) **United States Design Patent** (10) **Patent No.:** **US D843,612 S**  
**Hodohara et al.** (45) **Date of Patent:** **\*\* Mar. 19, 2019**

(54) **LIGHT EMITTING DIODE**

(56) **References Cited**

(71) Applicants: **CITIZEN ELECTRONICS CO., LTD.**, Fujiyoshida-shi, Yamanashi (JP); **CITIZEN WATCH CO., LTD.**, Tokyo (JP)

U.S. PATENT DOCUMENTS

D528,672 S	*	9/2006	Nagai	.....	D26/1
D535,037 S	*	1/2007	Kim	.....	D26/1
D578,671 S	*	10/2008	Kanayama	.....	D26/1
D746,240 S		12/2015	Bergmann et al.		
D800,679 S		10/2017	Omori		

(72) Inventors: **Teruhiko Hodohara**, Tsuru (JP); **Tsuyoshi Sato**, Fuefuki (JP)

FOREIGN PATENT DOCUMENTS

(73) Assignees: **CITIZEN ELECTRONICS CO., LTD.**, Yamanashi (JP); **CITIZEN WATCH CO., LTD.**, Tokyo (JP)

JP	H2-044355	3/1990
JP	D1149267	8/2002

OTHER PUBLICATIONS

(\*\*) Term: **15 Years**

Unpublished U.S. Appl. No. 29/617,892, filed Sep. 15, 2017.

(21) Appl. No.: **29/617,895**

\* cited by examiner

(22) Filed: **Sep. 15, 2017**

*Primary Examiner* — Marcus A Jackson  
(74) *Attorney, Agent, or Firm* — Procopio, Cory, Hargreaves & Savitch LLP

(30) **Foreign Application Priority Data**

(57) **CLAIM**

Mar. 15, 2017 (JP) ..... 2017-005293

The ornamental design for a light emitting diode, as shown and described.

(51) **LOC (11) Cl.** ..... **26-04**

**DESCRIPTION**

(52) **U.S. Cl.**  
USPC ..... **D26/1; D13/180**

(58) **Field of Classification Search**  
USPC ..... D26/1; D13/180  
CPC ..... H01L 25/167; H01L 31/02; H01L 33/00; H01L 33/04; H01L 33/08; H01L 33/10; H01L 33/20; H01L 33/38; H01L 33/42; H01L 33/48; H01L 33/62; F21K 9/00; F21K 9/30; F21K 9/54; H01R 5/00; H01R 13/46; H01R 13/514; H01R 31/048; H01R 31/02; H01J 5/00; H01J 5/16; H01J 15/00; H01J 5/48; H01J 5/50; H01J 19/54

FIG. 1 is a perspective view of a light emitting diode showing our new design;  
FIG. 2 is a top plan view thereof;  
FIG. 3 is a front elevational view thereof; the rear elevational view is the same as the front elevational view;  
FIG. 4 is a right side elevational view thereof; the left side elevational view is the same as the right side elevational view; and,  
FIG. 5 is a bottom plan view thereof.  
The broken lines shown in the drawings are for illustrative purposes only and form no part of the claimed design.

See application file for complete search history.

**1 Claim, 3 Drawing Sheets**

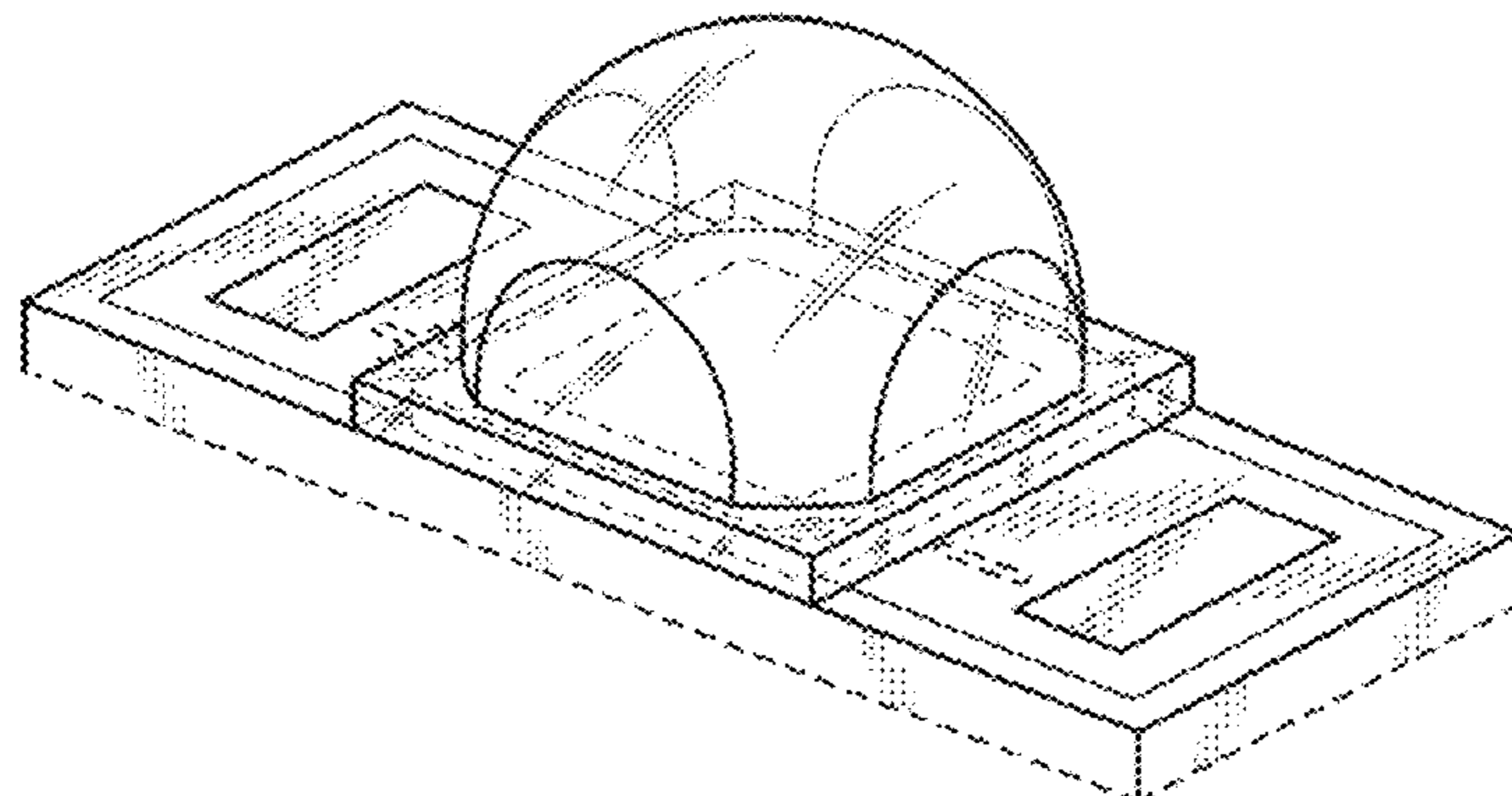


FIG. 1

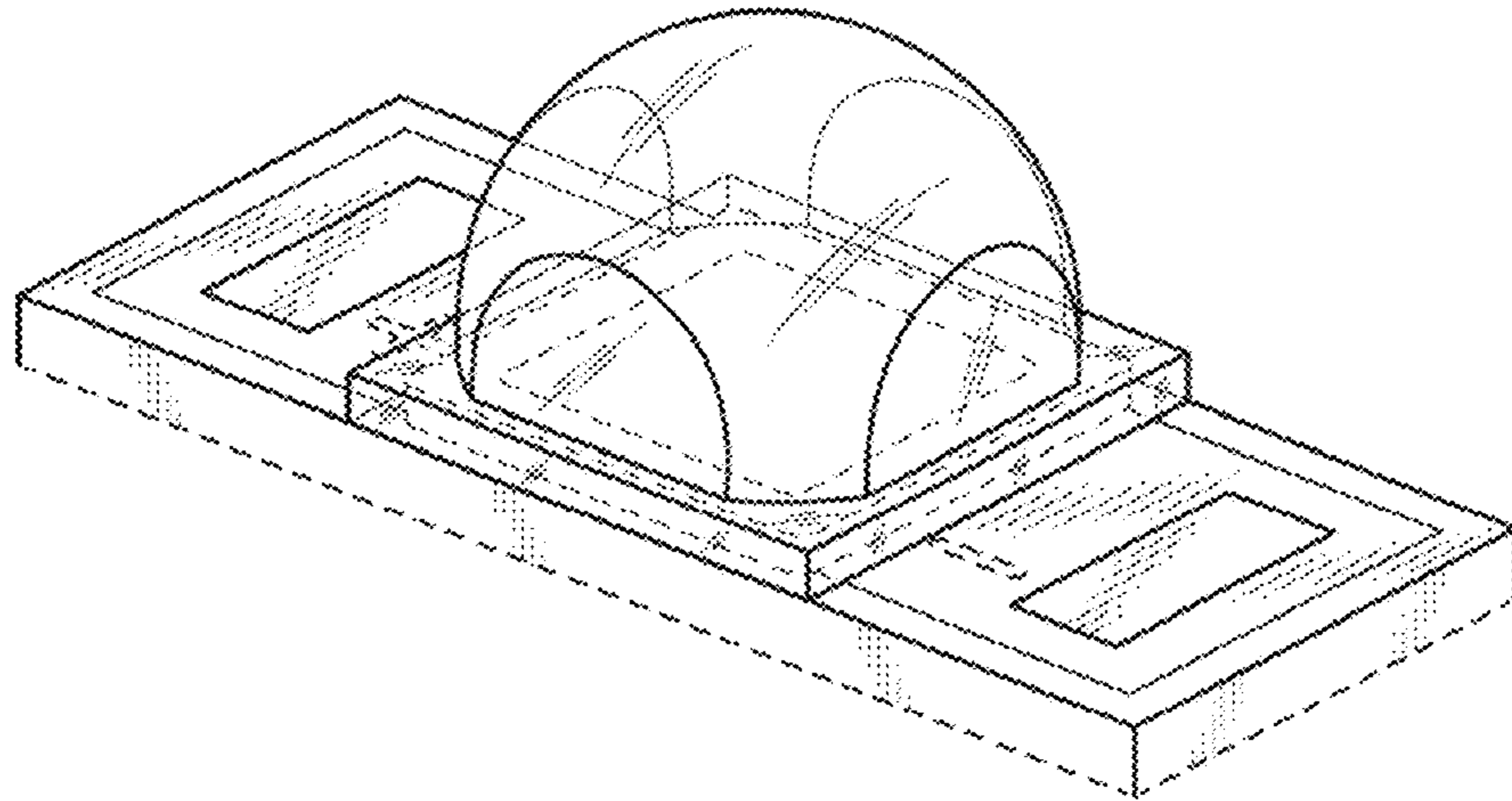


FIG. 2

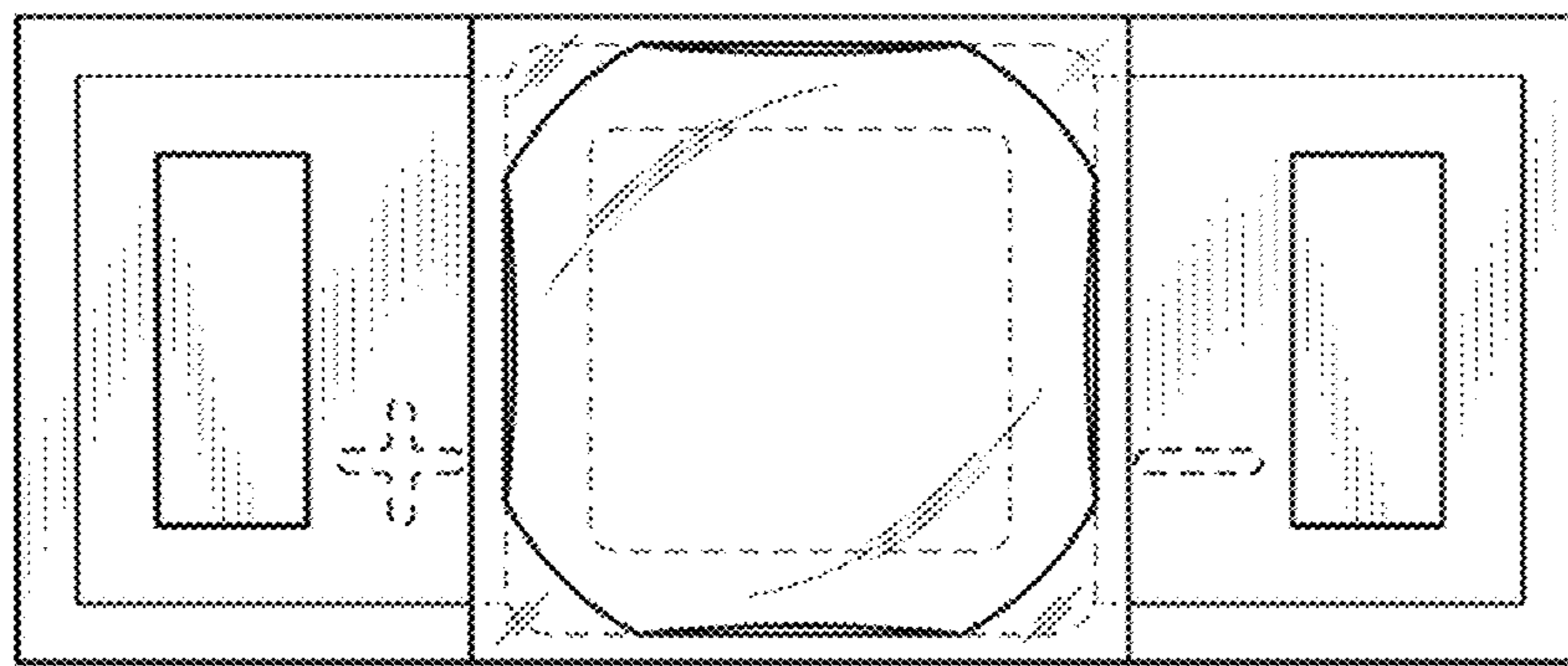


FIG. 3

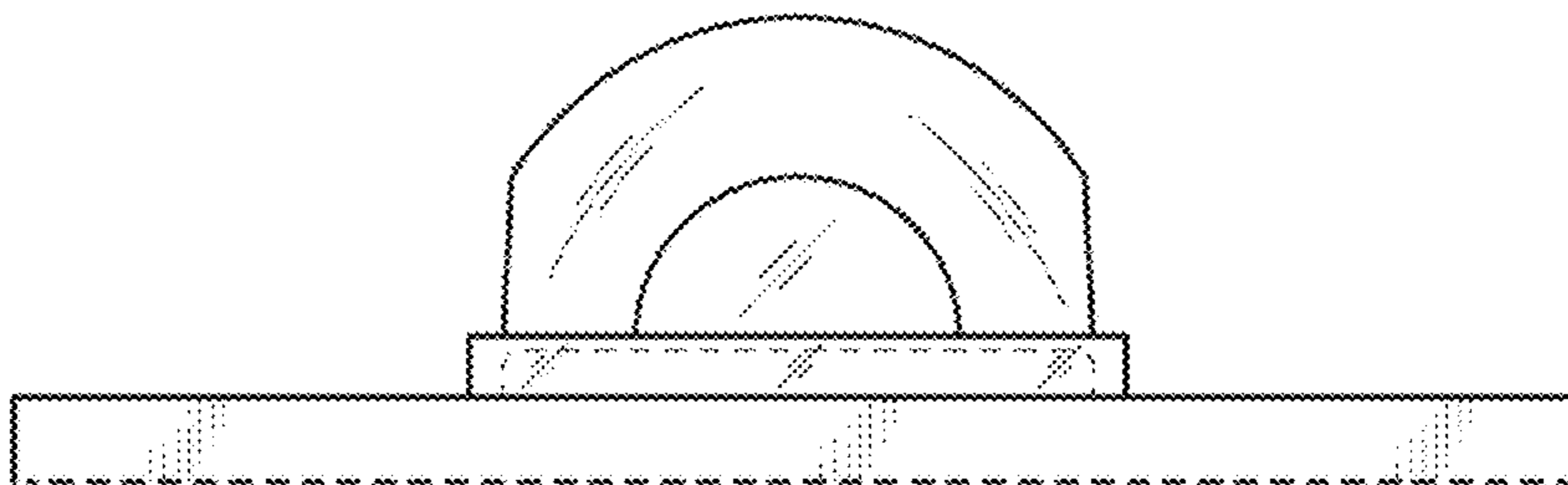


FIG. 4

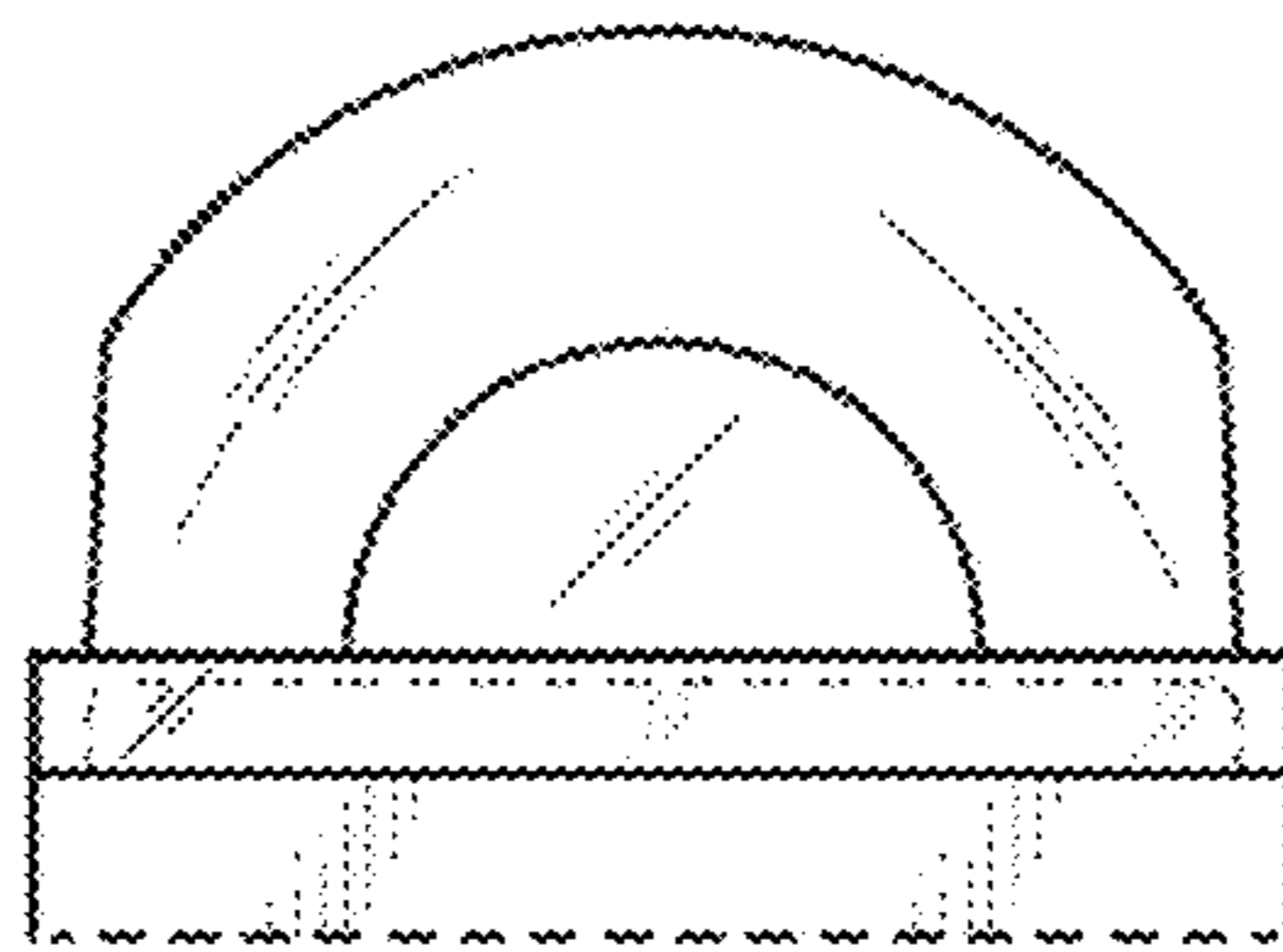


FIG. 5

