

US00D843611S

(12) **United States Design Patent** (10) **Patent No.:** **US D843,611 S**
Hodohara et al. (45) **Date of Patent:** **** Mar. 19, 2019**

(54) **LIGHT EMITTING DIODE**

(71) Applicants: **CITIZEN ELECTRONICS CO., LTD.**, Fujiyoshida-shi, Yamanashi (JP); **CITIZEN WATCH CO., LTD.**, Tokyo (JP)

(72) Inventors: **Teruhiko Hodohara**, Tsuru (JP); **Tsuyoshi Sato**, Fuefuki (JP)

(73) Assignees: **CITIZEN ELECTRONICS CO., LTD.**, Yamanashi (JP); **CITIZEN WATCH CO., LTD.**, Tokyo (JP)

(**) Term: **15 Years**

(21) Appl. No.: **29/617,892**

(22) Filed: **Sep. 15, 2017**

(30) **Foreign Application Priority Data**

Mar. 15, 2017 (JP) 2017-005295
Mar. 15, 2017 (JP) 2017-005297
(Continued)

(51) **LOC (11) Cl.** **26-04**

(52) **U.S. Cl.**
USPC **D26/1**

(58) **Field of Classification Search**
USPC D26/1; D13/180
(Continued)

(56) **References Cited**

U.S. PATENT DOCUMENTS

D541,761 S * 5/2007 Saito D13/180
D586,764 S * 2/2009 Uemoto D13/180
(Continued)

FOREIGN PATENT DOCUMENTS

JP H2-044355 3/1990
JP D1149267 8/2002

OTHER PUBLICATIONS

Unpublished U.S. Appl. No. 29/617,895, filed Sep. 15, 2017.

Primary Examiner — Marcus A Jackson
(74) *Attorney, Agent, or Firm* — Procopio, Cory, Hargreaves & Savitch LLP

(57) **CLAIM**

The ornamental design for a light emitting diode, as shown and described.

DESCRIPTION

FIG. 1 is a perspective view of a light emitting diode showing our new design;

FIG. 2 is a top plan view thereof;

FIG. 3 is a front elevational view thereof; the rear elevational view is the same as the front elevational view;

FIG. 4 is a right side elevational view thereof; the left side elevational view is the same as the right side elevational view; and

FIG. 5 is a bottom plan view thereof.

FIG. 6 is a perspective view of the second embodiment of a light emitting diode showing our new design;

FIG. 7 is a top plan view thereof;

FIG. 8 is a front elevational view thereof; the rear elevational view is the same as the front elevational view;

FIG. 9 is a right side elevational view thereof; the left side elevational view is the same as the right side elevational view; and

FIG. 10 is a bottom plan view thereof.

FIG. 11 is a perspective view of the third embodiment of a light emitting diode showing our new design;

FIG. 12 is a top plan view thereof;

FIG. 13 is a front elevational view thereof; the rear elevational view is the same as the front elevational view;

FIG. 14 is a right side elevational view thereof; the left side elevational view is the same as the right side elevational view; and

FIG. 15 is a bottom plan view thereof.

FIG. 16 is a perspective view of the fourth embodiment of a light emitting diode showing our new design;

FIG. 17 is a top plan view thereof;

(Continued)

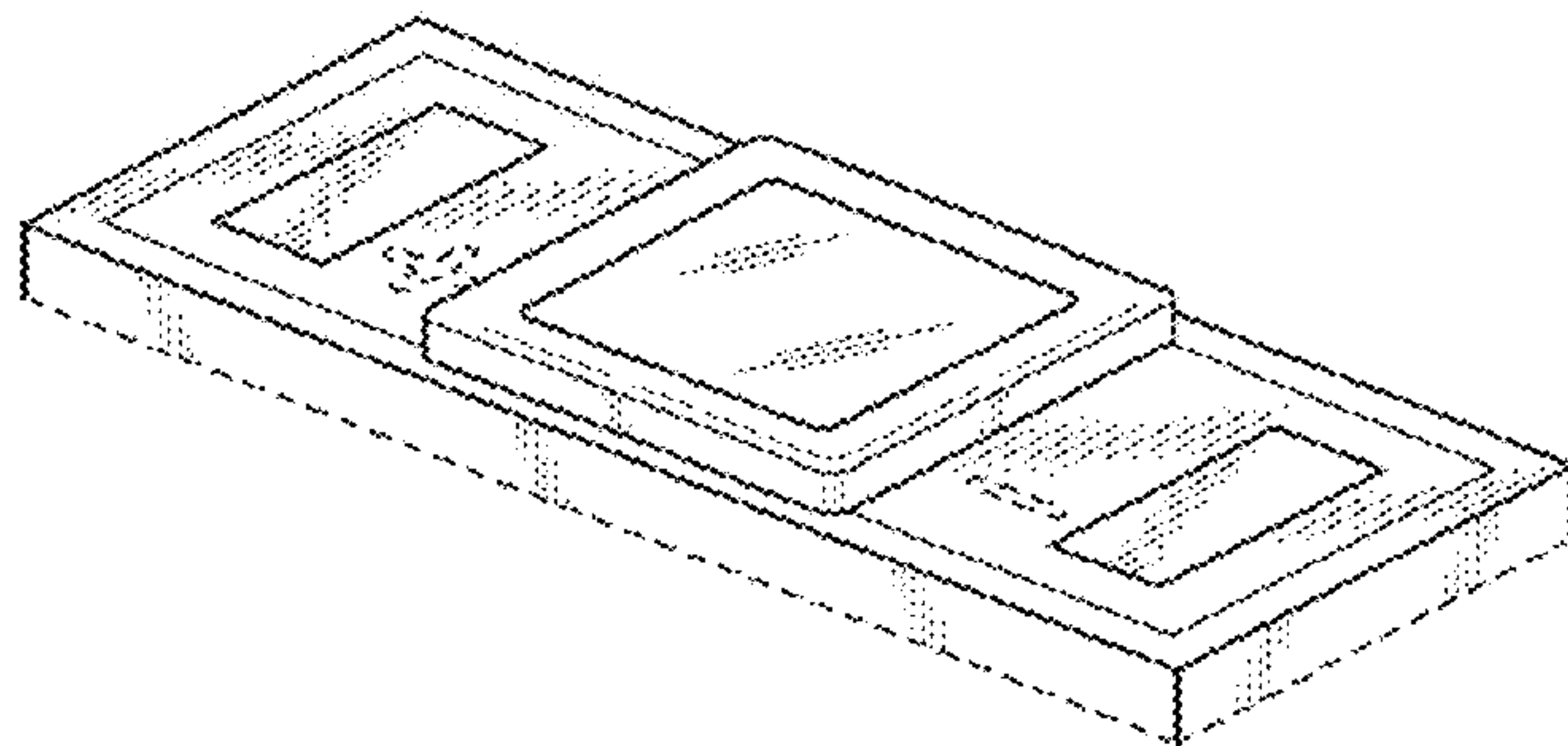


FIG. 18 is a front elevational view thereof; the rear elevational view is the same as the front elevational view; FIG. 19 is a right side elevational view thereof; the left side elevational view is the same as the right side elevational view; and, FIG. 20 is a bottom plan view thereof. The broken line showing is included for the purpose of illustrating portions of the article and boundaries of the claimed subject matter and forms no part of the claimed design. The dot-dashed lines show unclaimed boundaries shown in FIGS. 11, 12, 16 and 17.

1 Claim, 12 Drawing Sheets

(30) **Foreign Application Priority Data**

Mar. 15, 2017 (JP) 2017-005298
Mar. 15, 2017 (JP) 2017-005299

(58) **Field of Classification Search**

CPC H01L 25/167; H01L 31/02; H01L 33/00;
H01L 33/04; H01L 33/08; H01L 33/10;
H01L 33/20; H01L 33/38; H01L 33/42;
H01L 33/48; H01L 33/62; F21K 9/00;
F21K 9/30; F21K 9/54; H01R 5/00;
H01R 13/46; H01R 13/514; H01R
31/048; H01R 31/02; H01J 5/00; H01J
5/16; H01J 15/00; H01J 5/48; H01J 5/50;
H01J 19/54

See application file for complete search history.

(56) **References Cited**

U.S. PATENT DOCUMENTS

D611,628 S * 3/2010 Uemoto D26/1
D623,781 S * 9/2010 Uemoto D26/1
D636,900 S * 4/2011 Chou D26/1
D746,240 S 12/2015 Bergmann et al.
D800,679 S 10/2017 Omori

* cited by examiner

FIG. 1

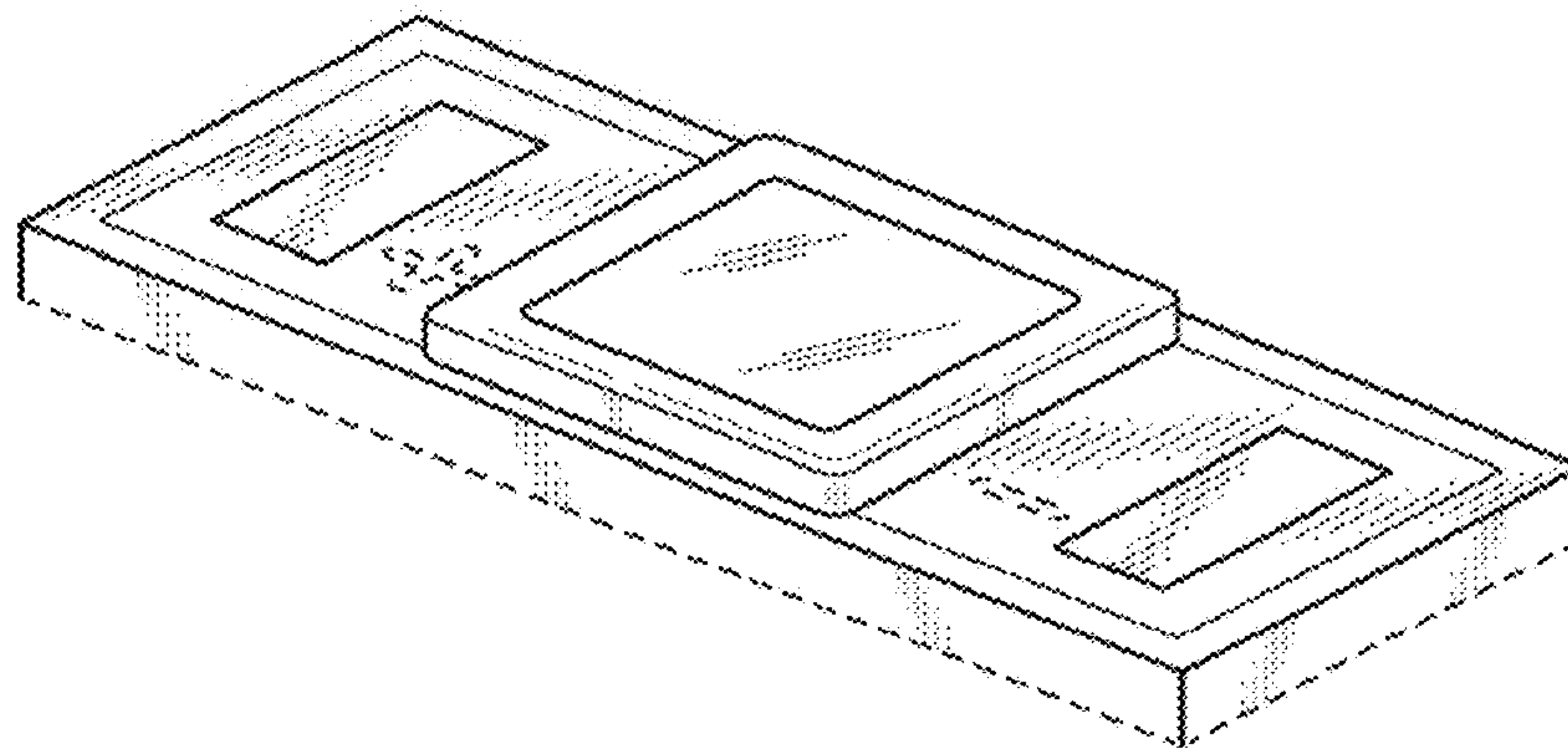


FIG. 2

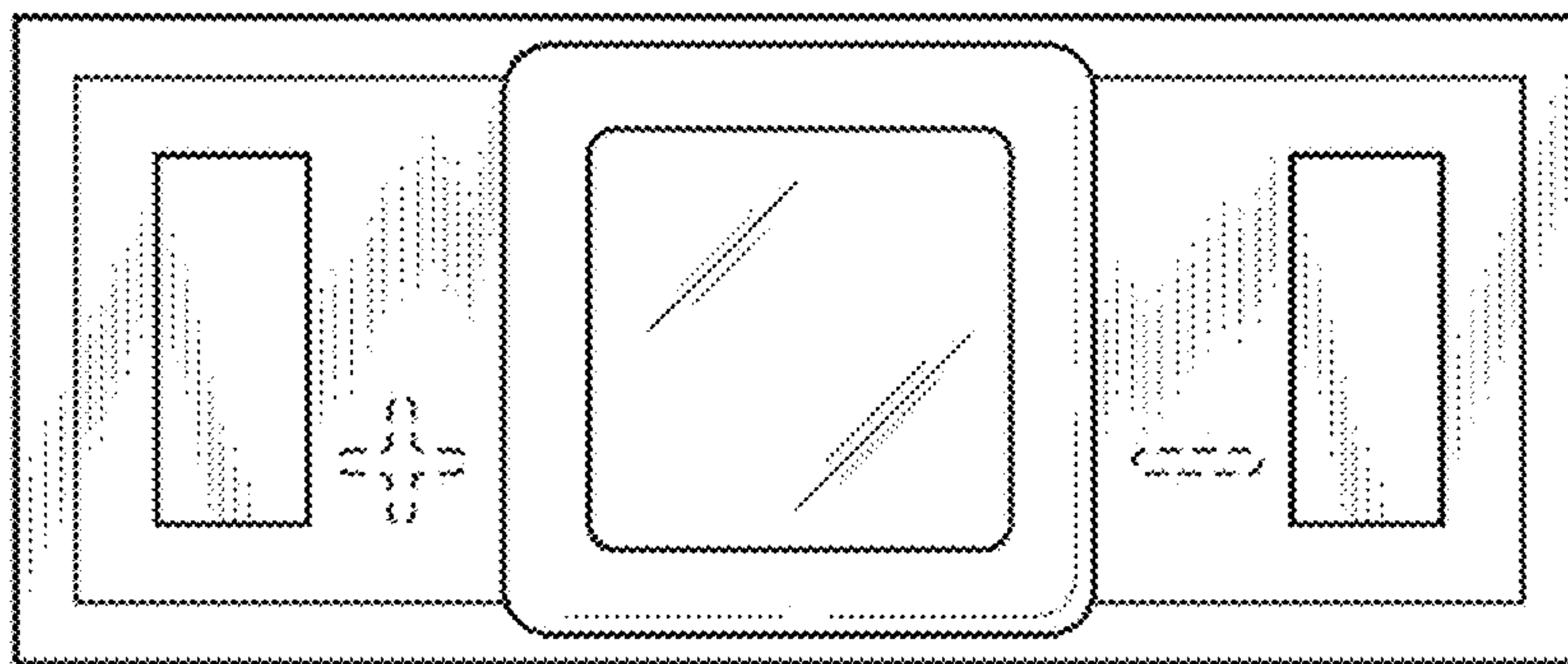


FIG. 3

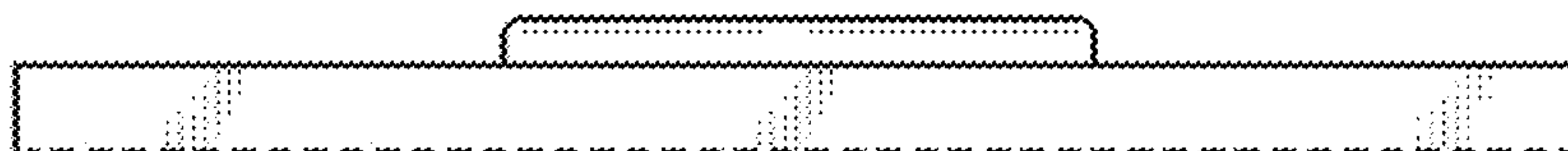


FIG. 4



FIG. 5



FIG. 6

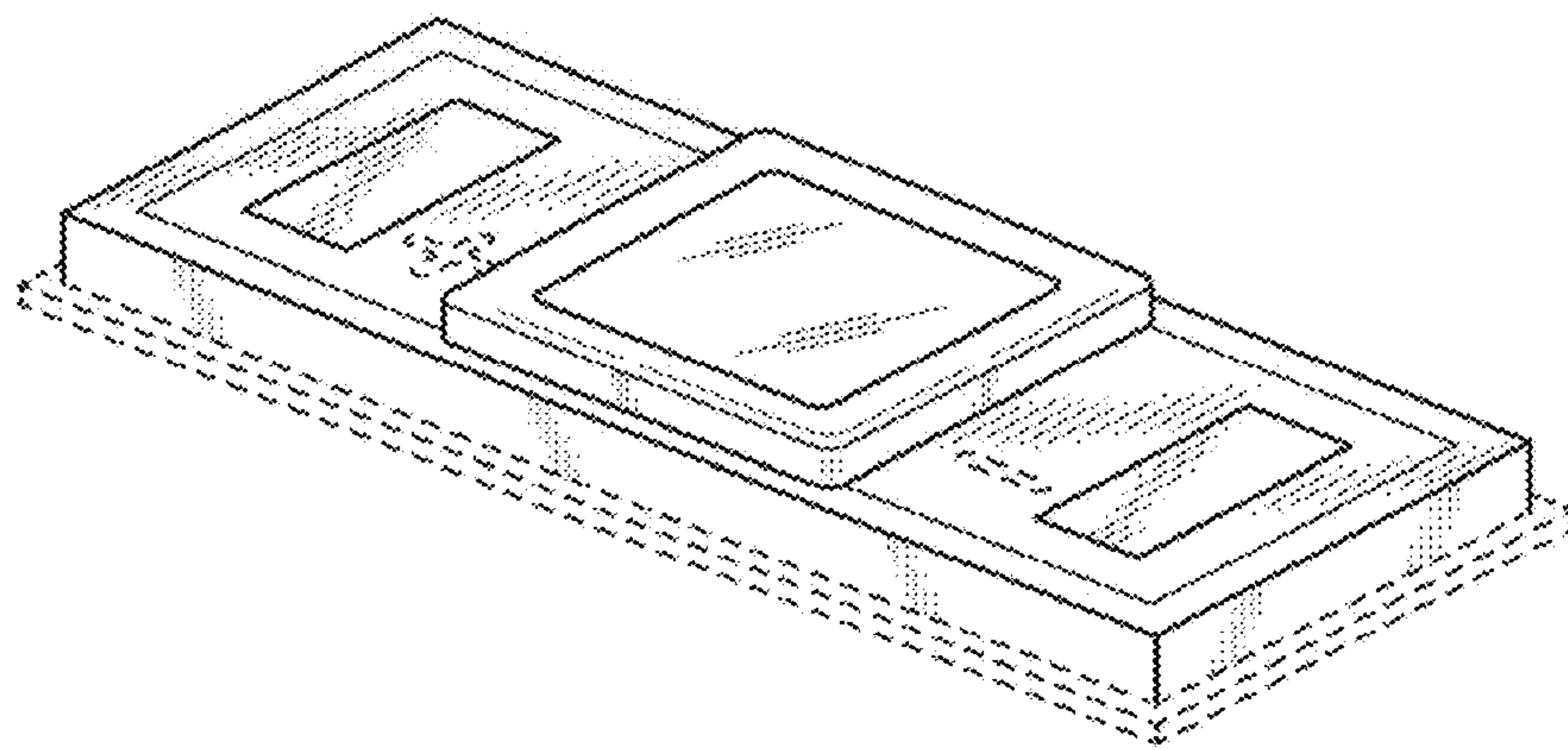


FIG. 7

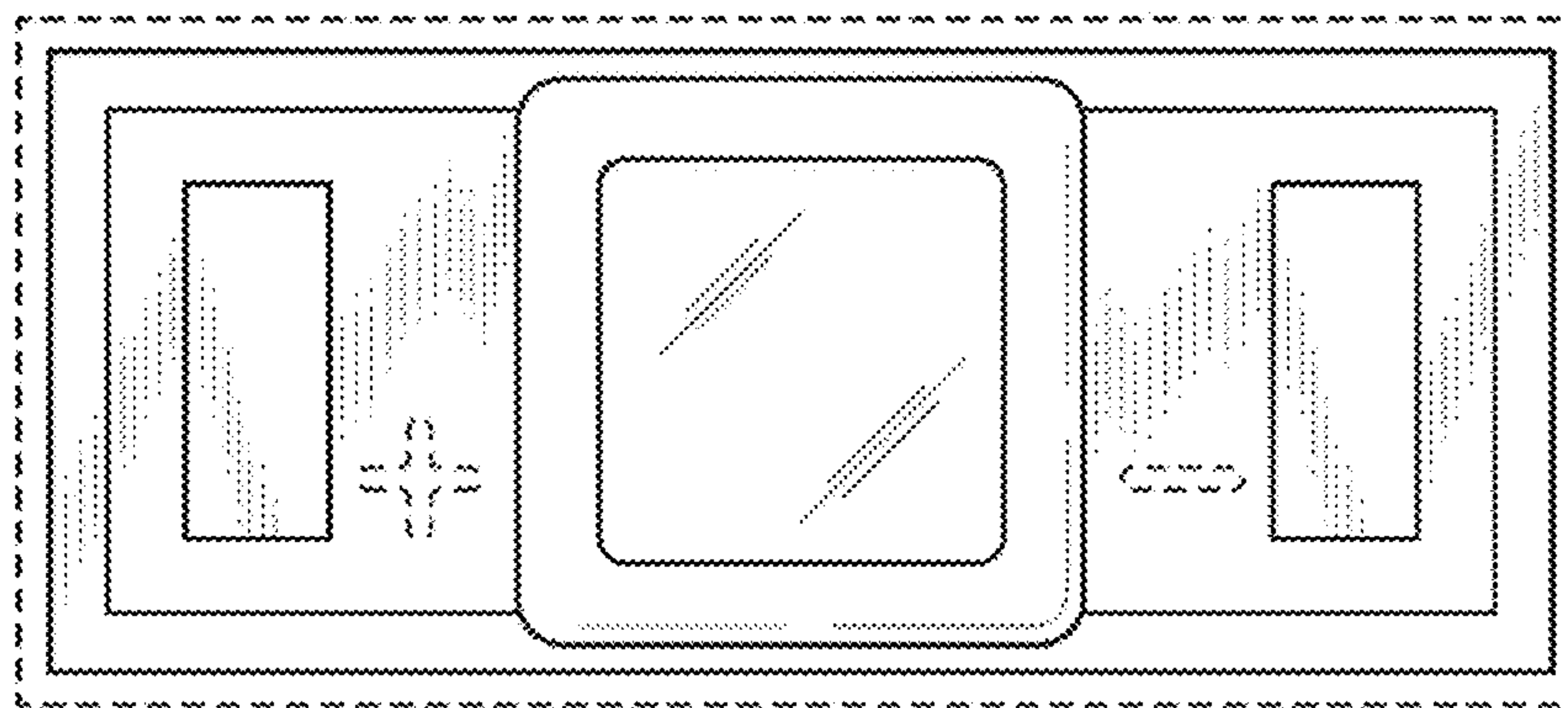


FIG. 8



FIG. 9



FIG. 10



FIG. 11

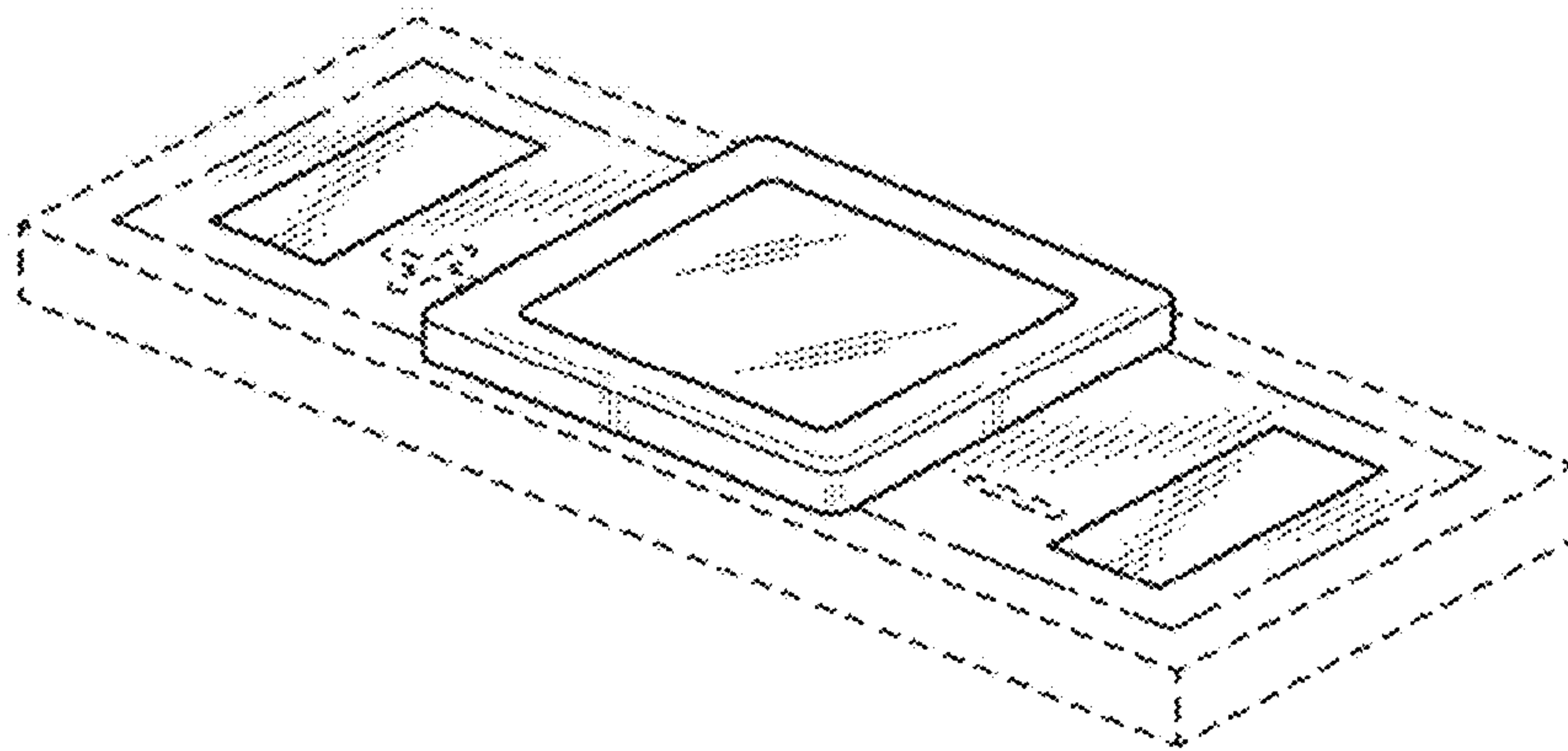


FIG. 12

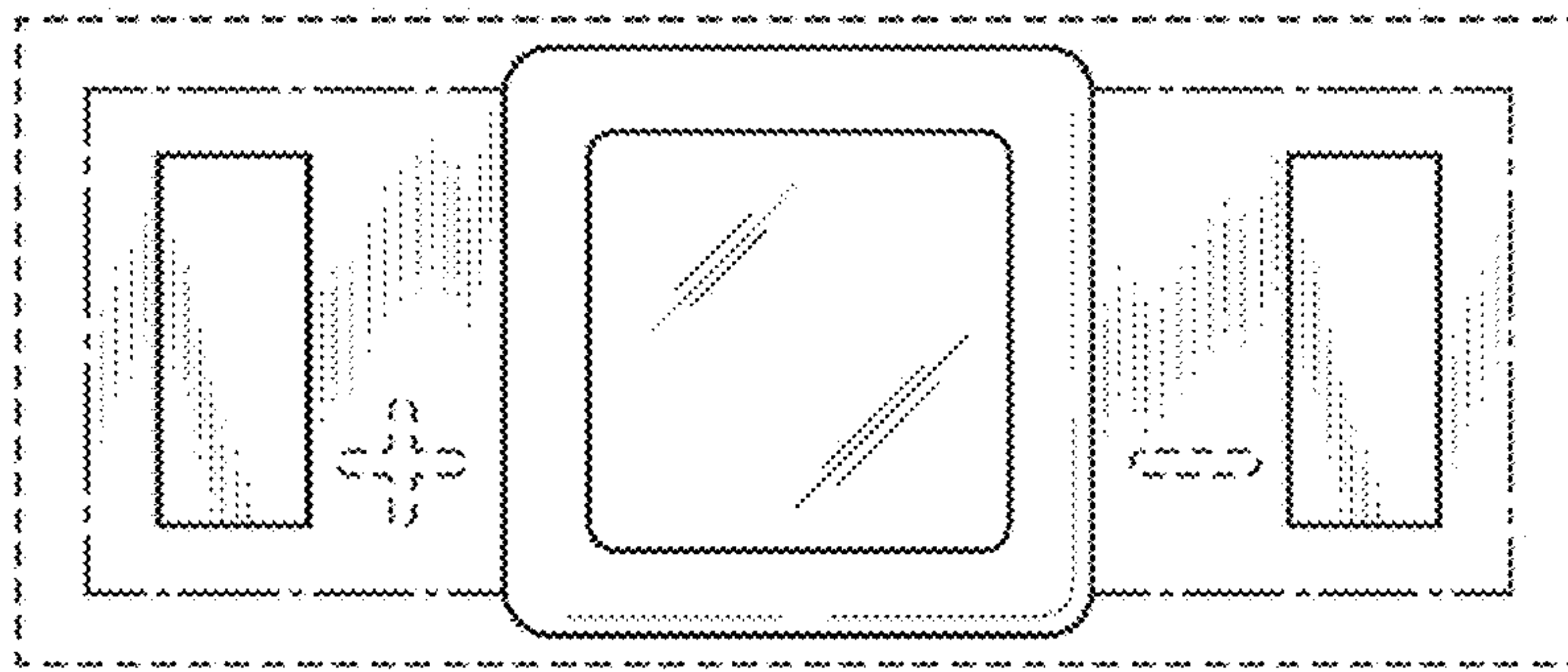


FIG. 13



FIG. 14



FIG. 15



FIG. 16

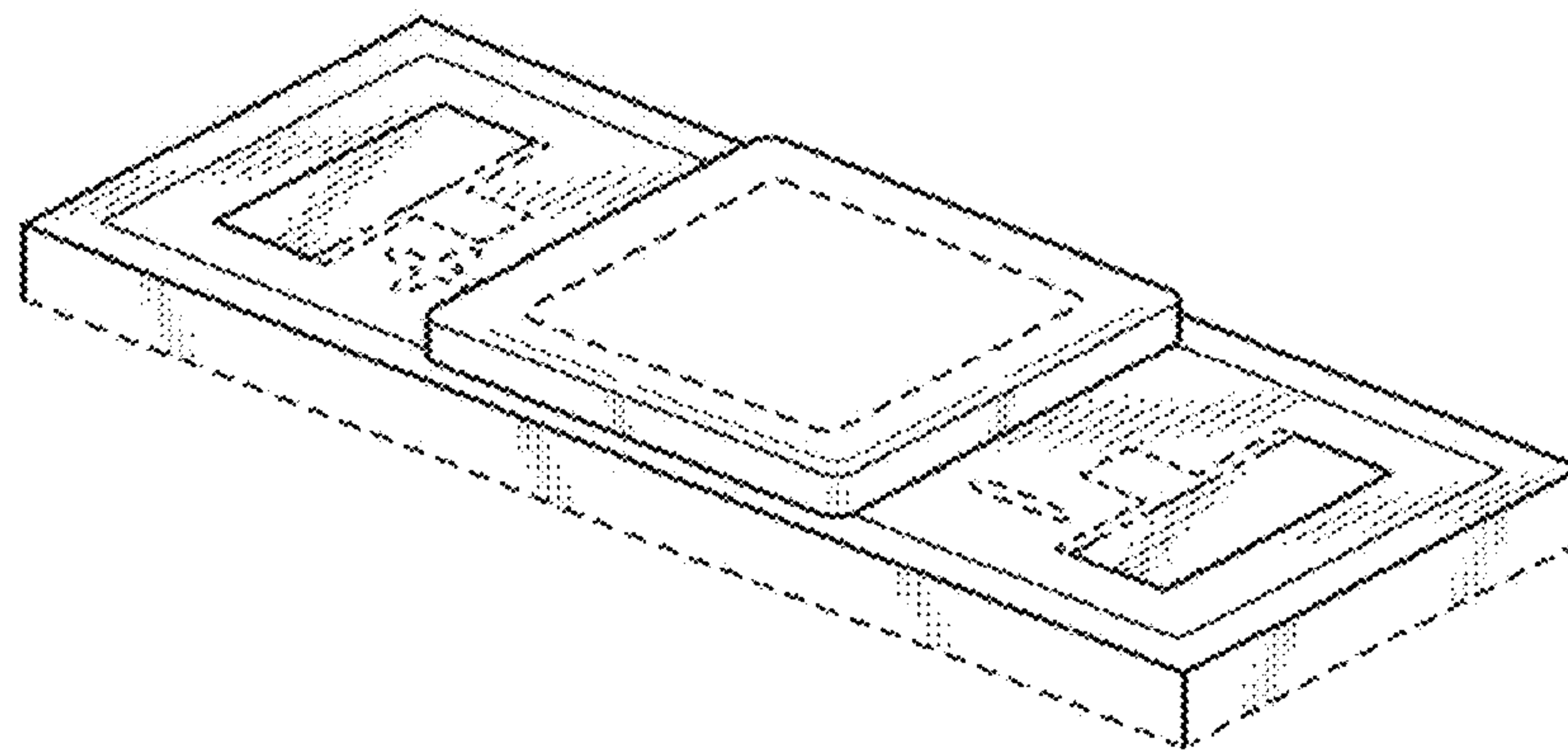


FIG. 17

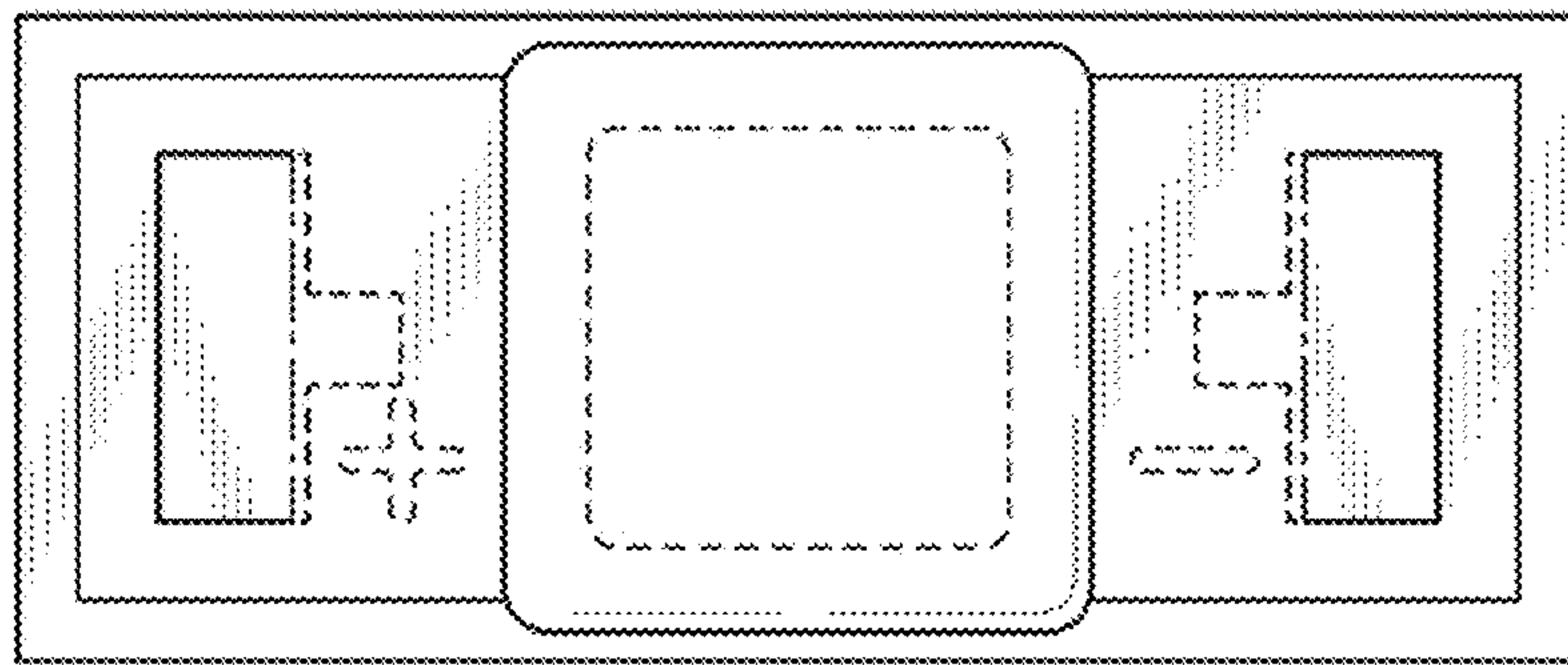


FIG. 18

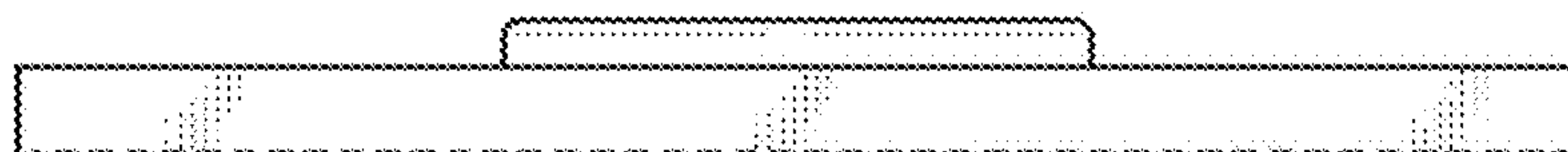


FIG. 19



FIG. 20

