



US00D843609S

(12) **United States Design Patent**
Heiner et al.

(10) **Patent No.:** **US D843,609 S**

(45) **Date of Patent:** **** Mar. 19, 2019**

(54) **LUMINAIRE MIRROR FIXTURE**

D761,172 S * 7/2016 Kim D12/187
D777,068 S * 1/2017 Sterner D12/187

(71) Applicant: **JST Performance, LLC**, Gilbert, AZ
(US)

* cited by examiner

(72) Inventors: **Johnathan J. Heiner**, Mesa, AZ (US);
Bradley J. LaMarche, Gilbert, AZ
(US); **Manmohan S. Brar**, Phoenix,
AZ (US)

Primary Examiner — Marcus A Jackson

(73) Assignee: **JST Performance, LLC**, Gilbert, AZ
(US)

(57) **CLAIM**

The ornamental design for a luminaire mirror fixture, as shown and described.

(**) Term: **15 Years**

(21) Appl. No.: **29/586,541**

(22) Filed: **Dec. 5, 2016**

DESCRIPTION

Related U.S. Application Data

(63) Continuation of application No. 29/574,918, filed on
Aug. 19, 2016.

(51) **LOC (11) Cl.** **26-06**

(52) **U.S. Cl.**
USPC **D26/1; D12/187**

(58) **Field of Classification Search**
USPC D26/1, 28-36; D12/187
CPC B60Q 9/13; B60Q 9/135; B60Q 9/1375;
F21S 48/00; F21S 48/10; F21S 48/115;
F21S 48/225; F21S 48/1233; F21S
48/1266; F21S 48/1388; F21S 48/2268;
F21V 21/04; B60R 1/076; G02B 7/182;
G02B 5/08; G02B 7/18

See application file for complete search history.

FIG. 1 is a front, top, right, perspective view of a luminaire mirror fixture showing our new design;
FIG. 2 is a front, top, left, perspective view thereof;
FIG. 3 is a front, bottom, right, perspective view thereof;
FIG. 4 is a front, bottom, left, perspective view thereof;
FIG. 5 is a back, top, right, perspective view thereof;
FIG. 6 is a back, top, left, perspective view thereof;
FIG. 7 is a back, bottom, right, perspective view thereof;
FIG. 8 is a back, bottom, left perspective view thereof;
FIG. 9 is a front side view thereof;
FIG. 10 is a back side view thereof;
FIG. 11 is a right side view thereof;
FIG. 12 is a left side view thereof;
FIG. 13 is a top view thereof;
FIG. 14 is a bottom view thereof;
FIG. 15 is a front, top, right, perspective view of a second embodiment of the luminaire mirror fixture, the only difference being the optical configuration;
FIG. 16 is a front, top, left, perspective view thereof;
FIG. 17 is a front, bottom, right, perspective view thereof;
FIG. 18 is a front, bottom, left, perspective view thereof;
FIG. 19 is a back, top, right, perspective view thereof;
FIG. 20 is a back, bottom, right, perspective view thereof;
FIG. 21 is a front side view thereof; and,
FIG. 22 is a right side view thereof.

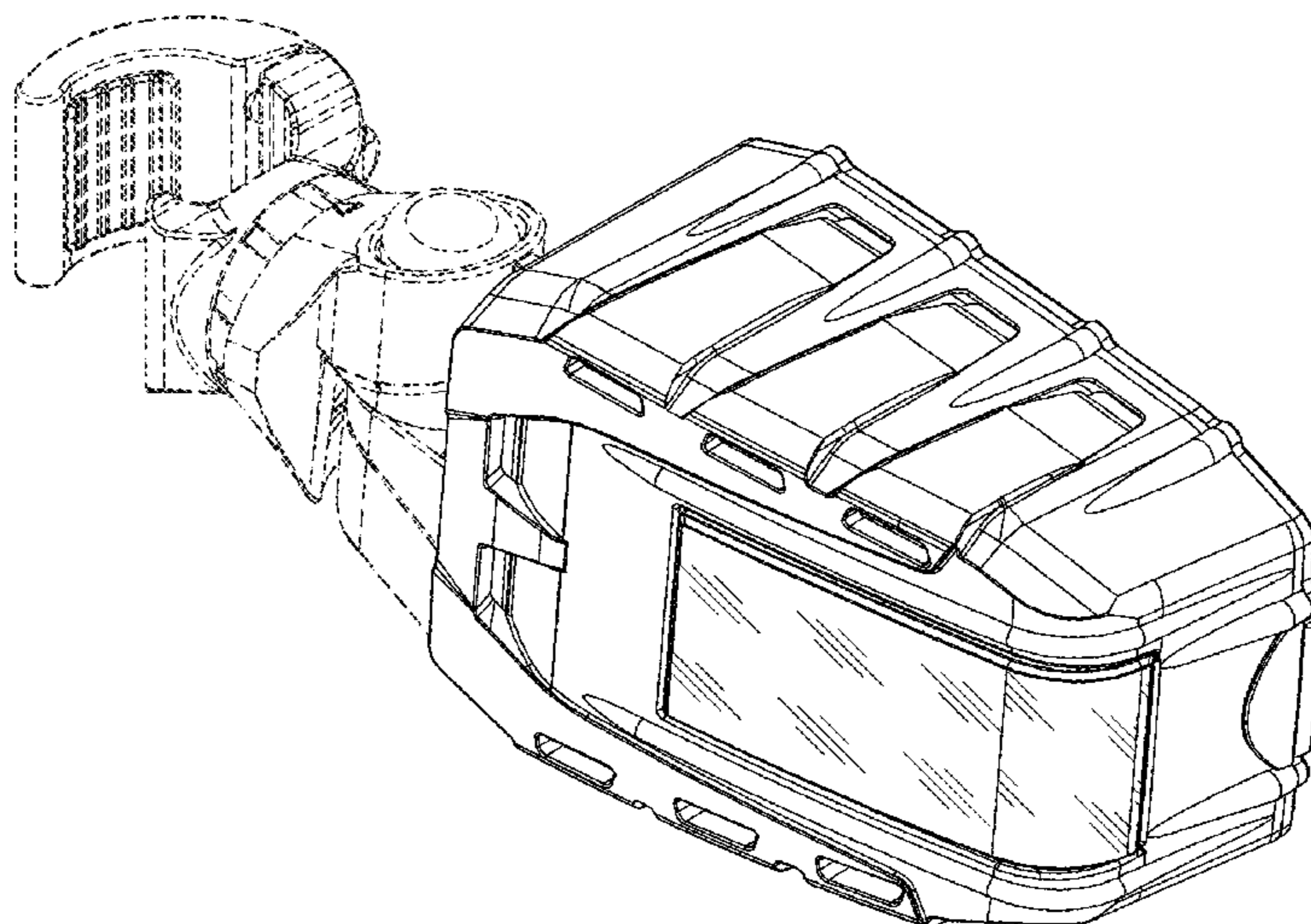
The broken lines in the drawings illustrate portions of the luminaire mirror fixture which form no part of the claimed design.

(56) **References Cited**

U.S. PATENT DOCUMENTS

D731,379 S * 6/2015 Behmer D12/187
D744,918 S * 12/2015 Di Buduo D12/187

1 Claim, 22 Drawing Sheets



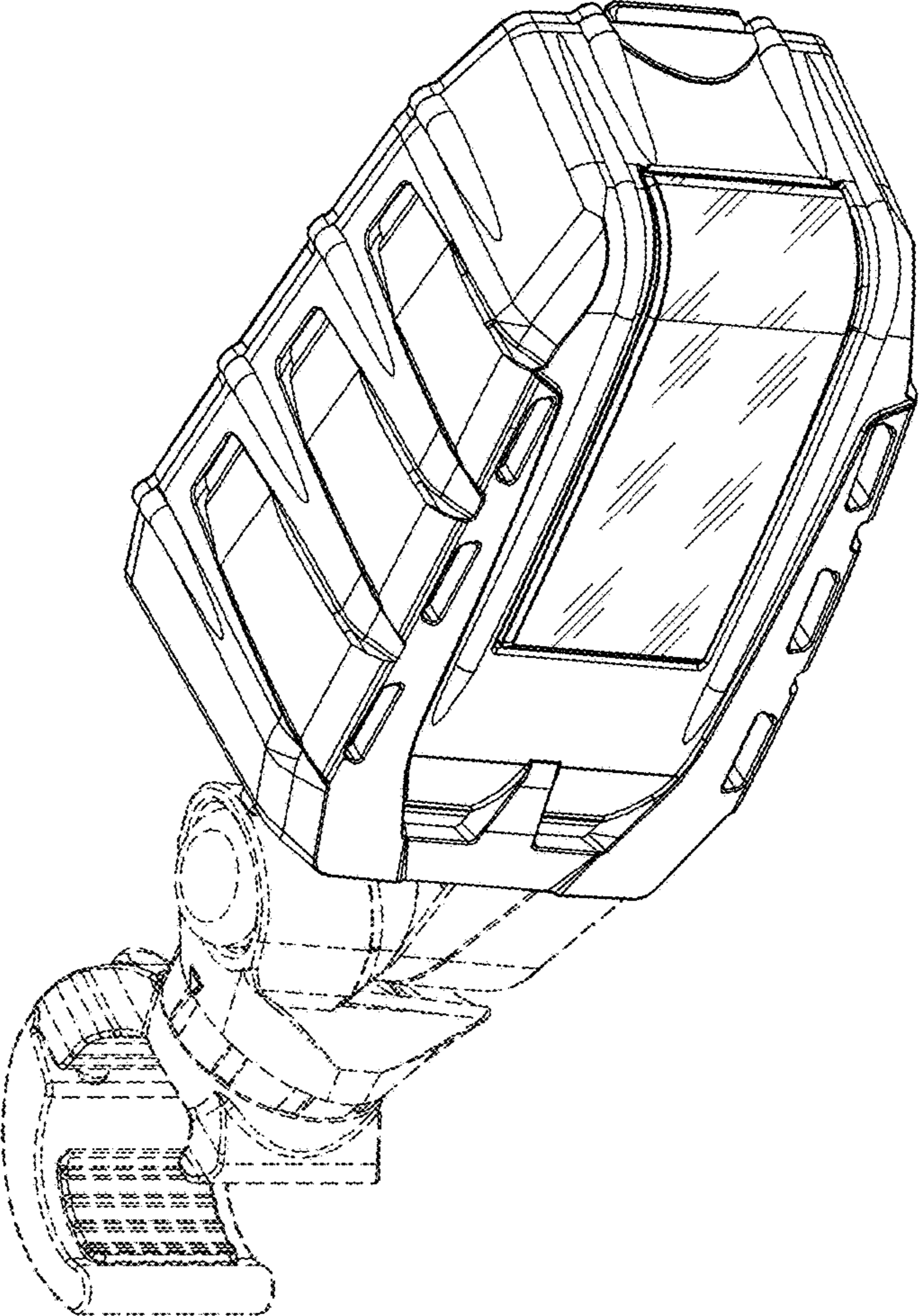


FIG. 1

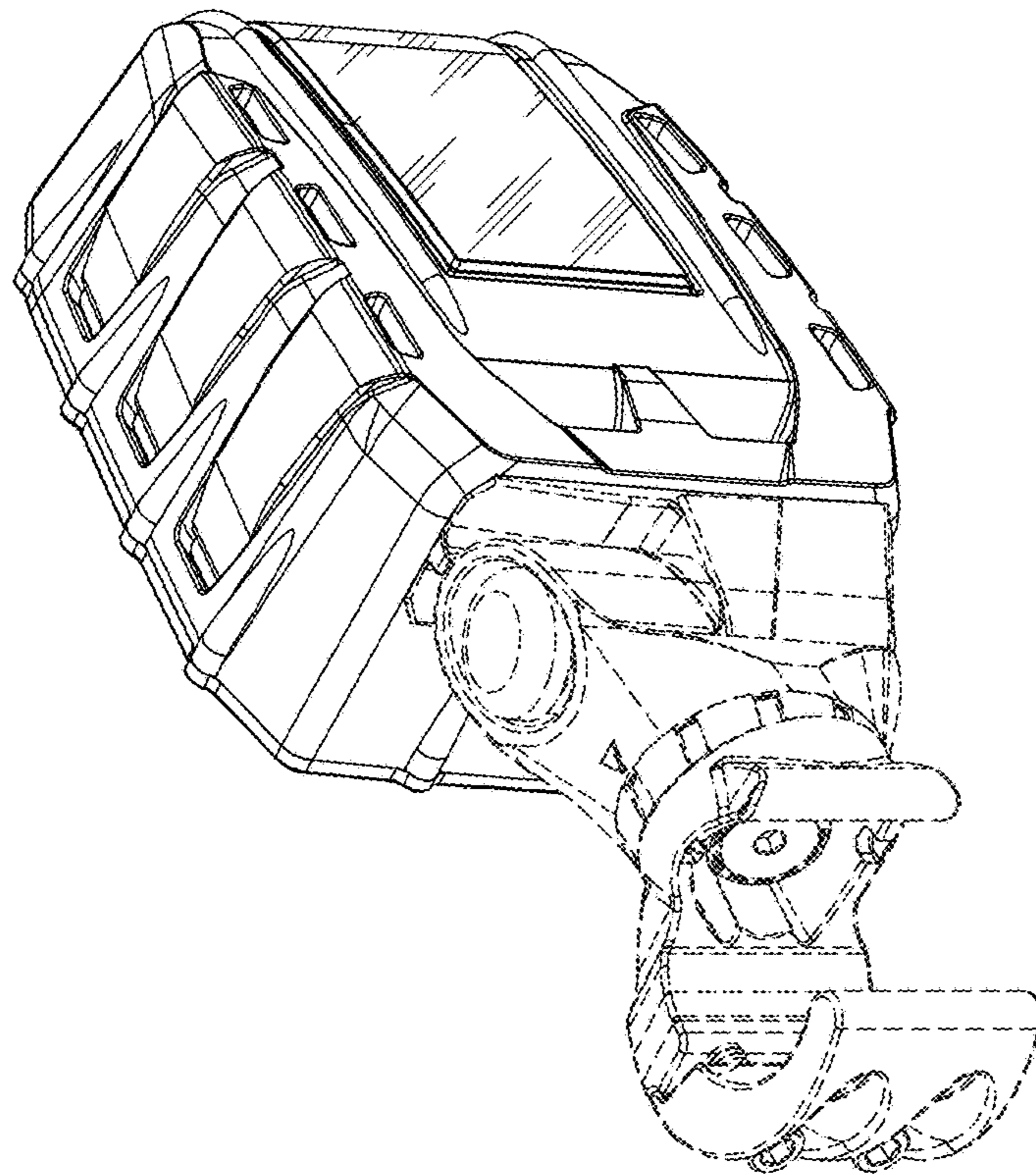


FIG. 2

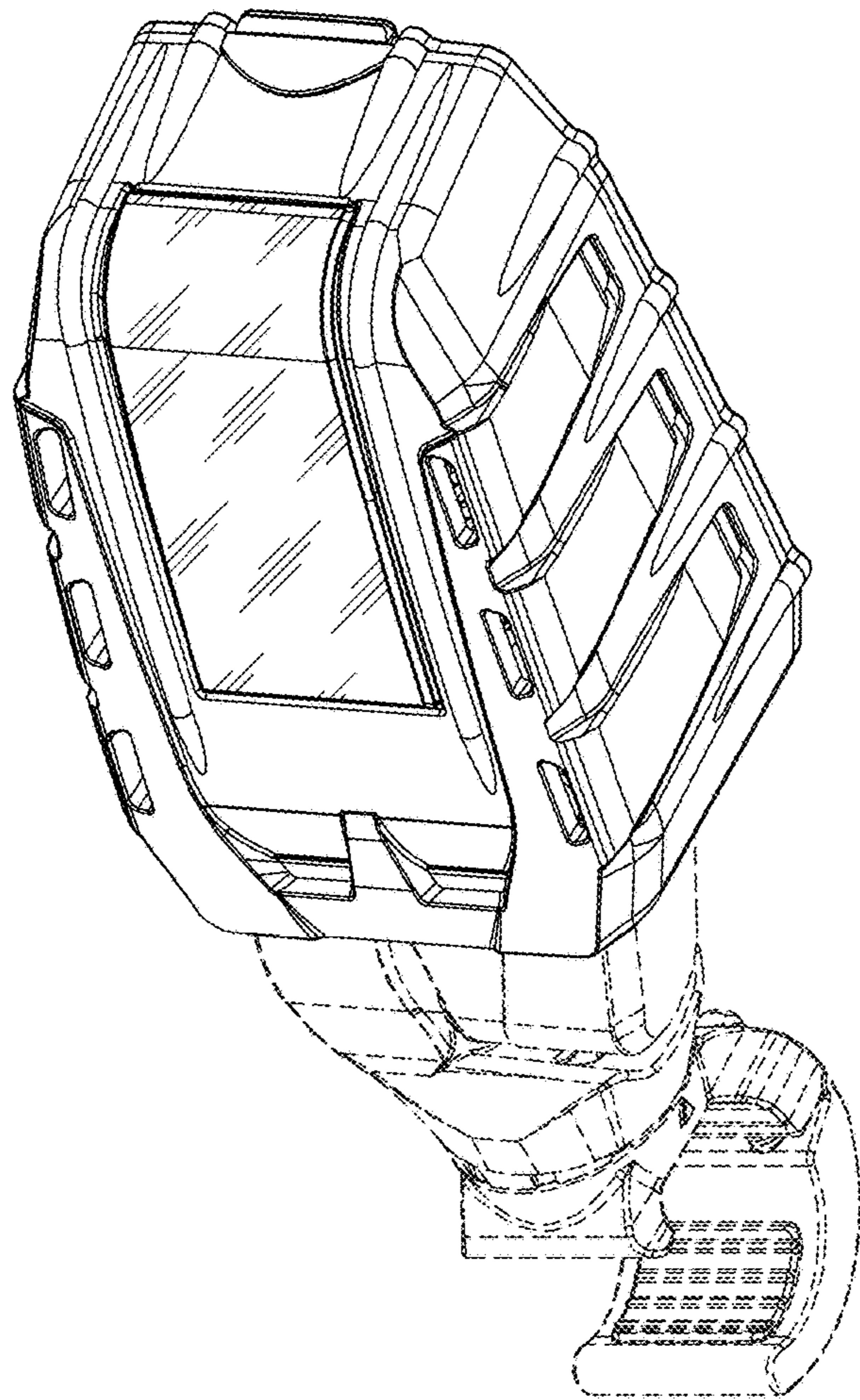


FIG. 3

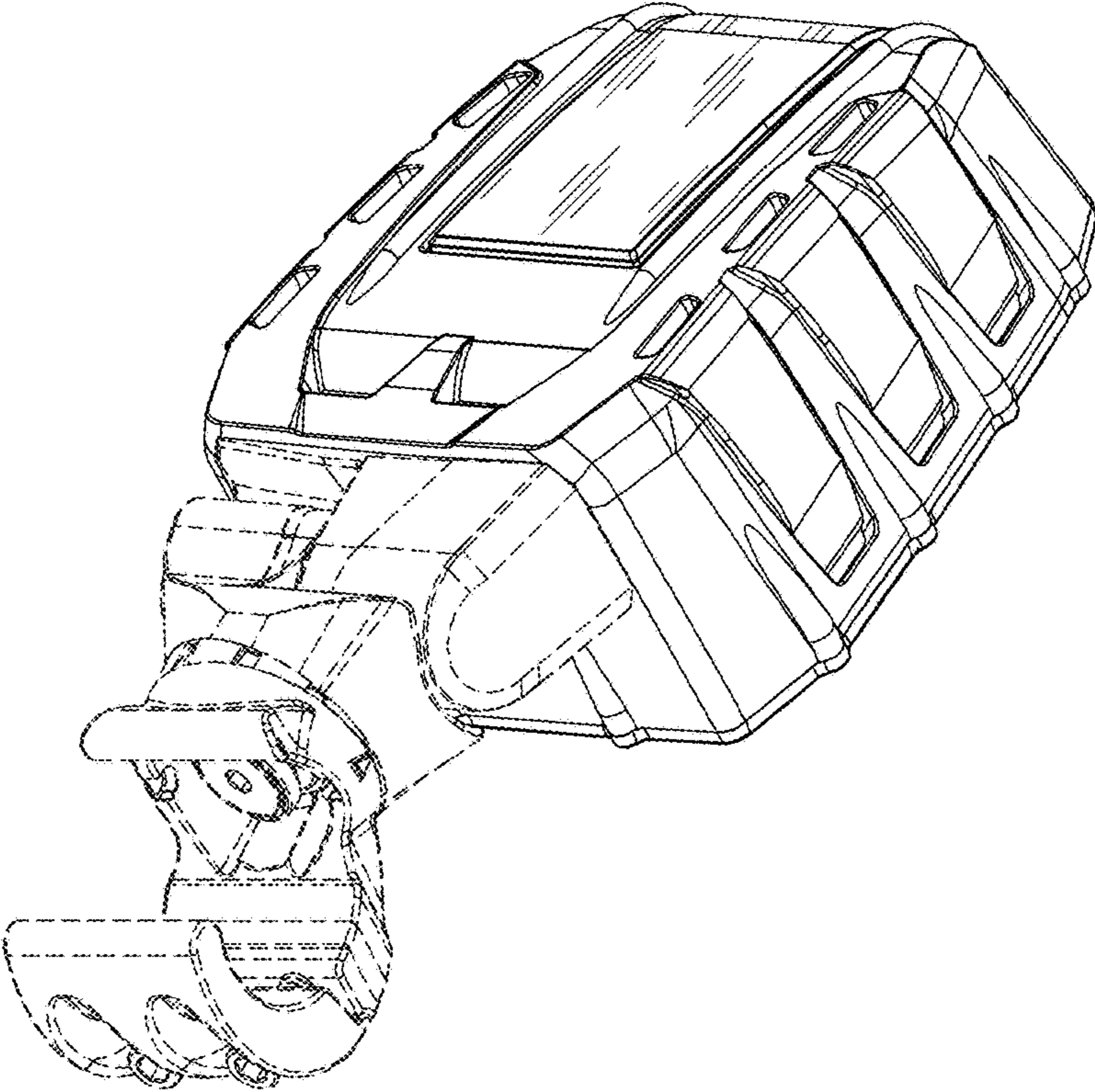


FIG. 4

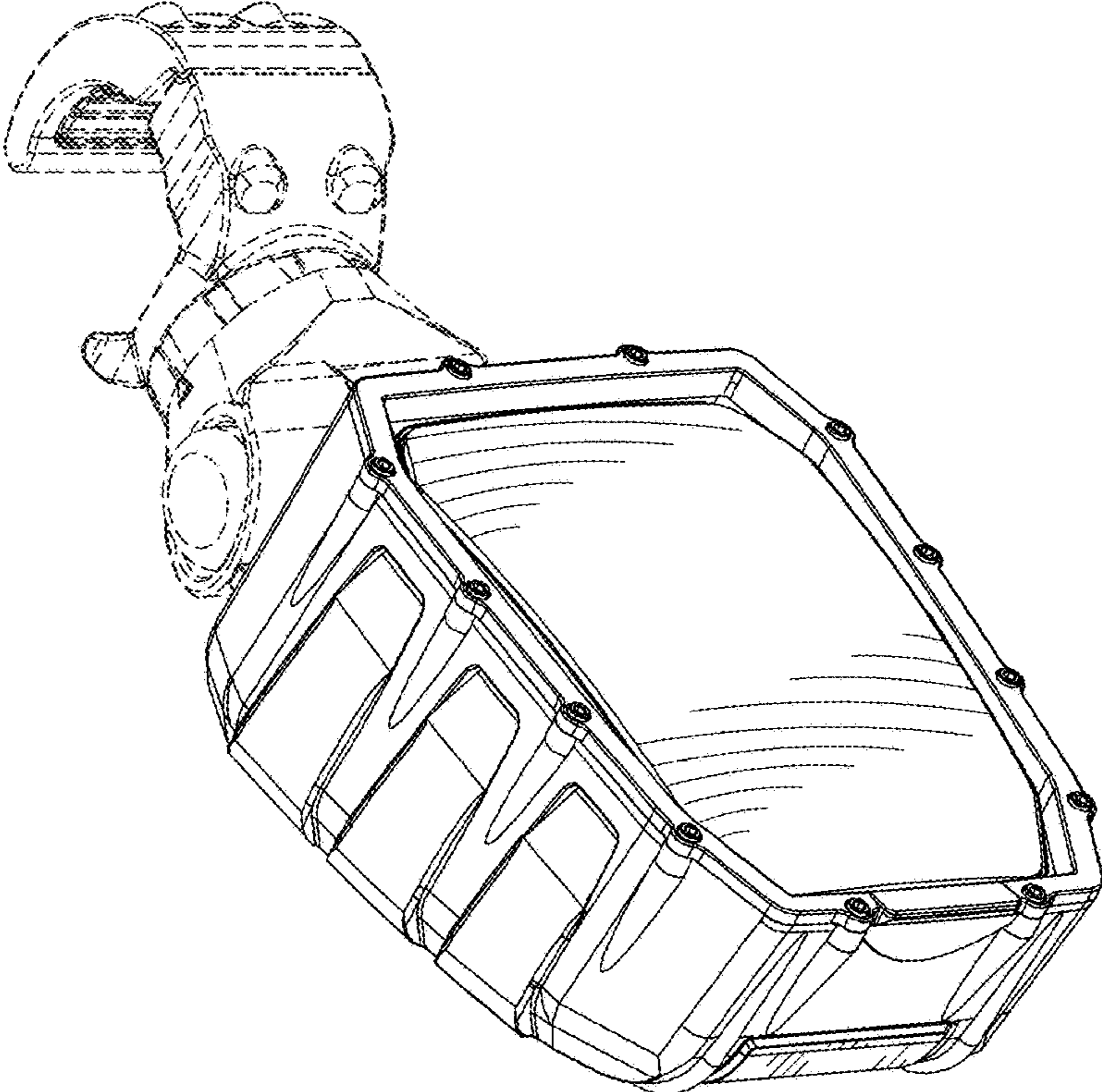


FIG. 5

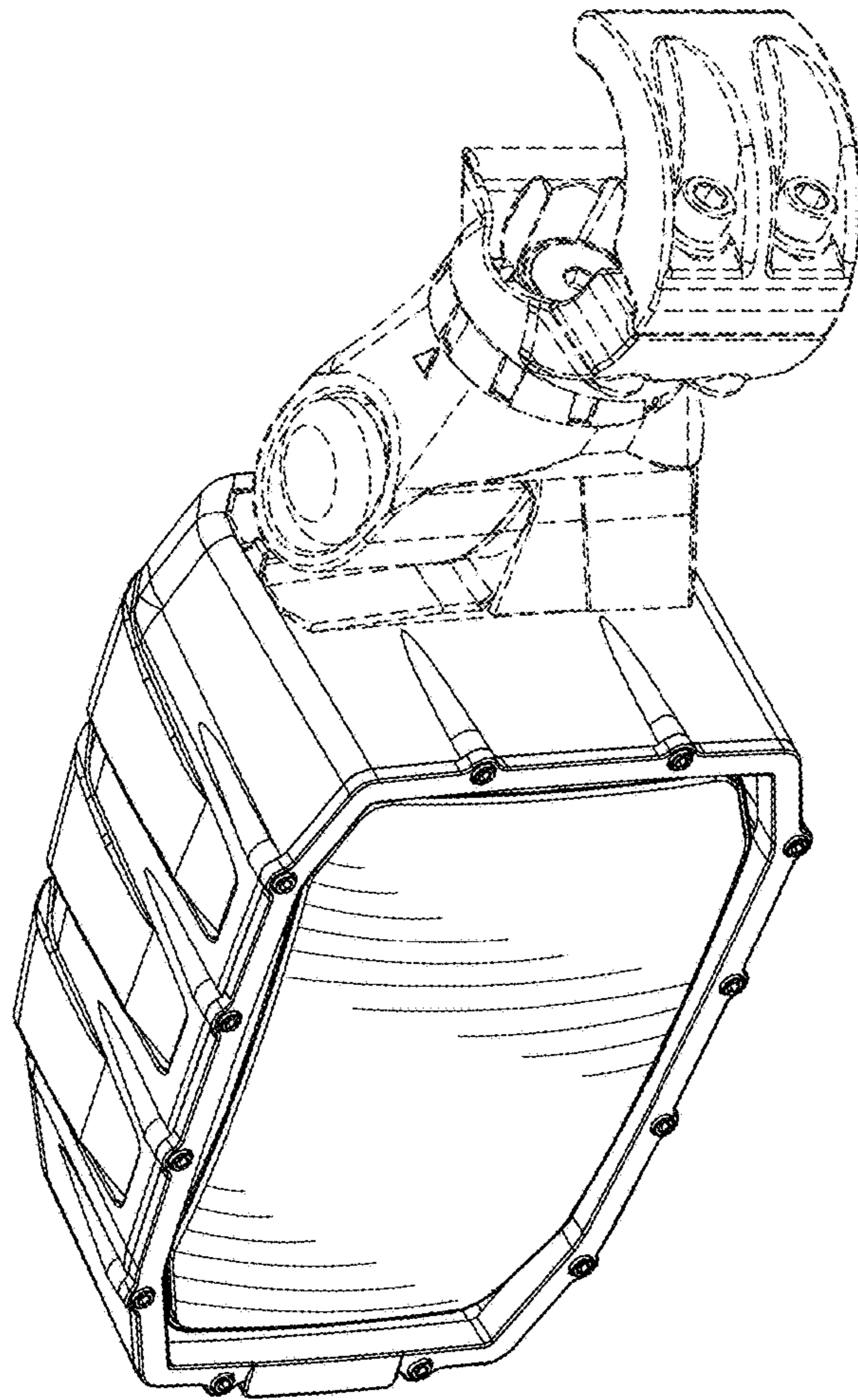


FIG. 6

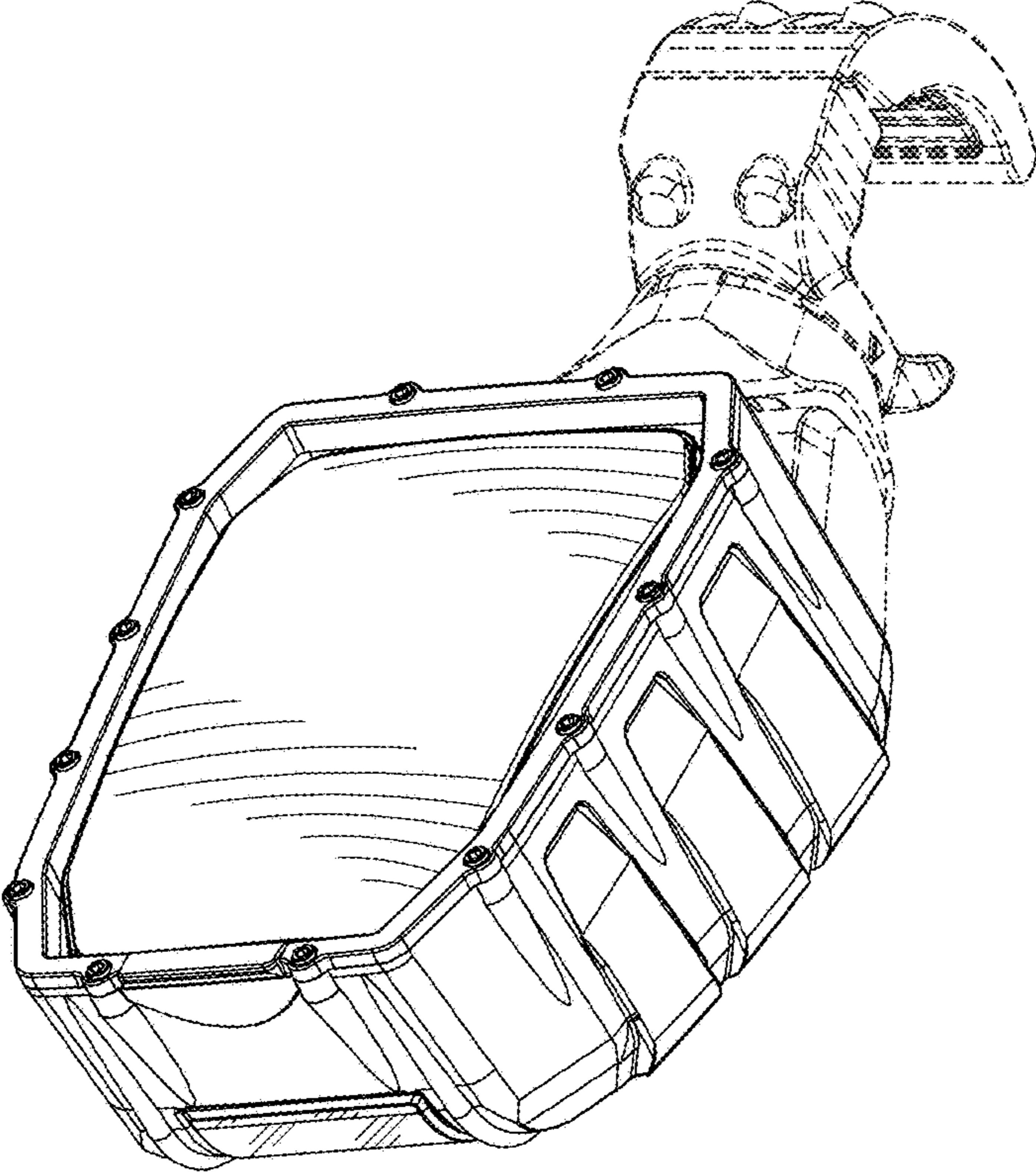


FIG. 7

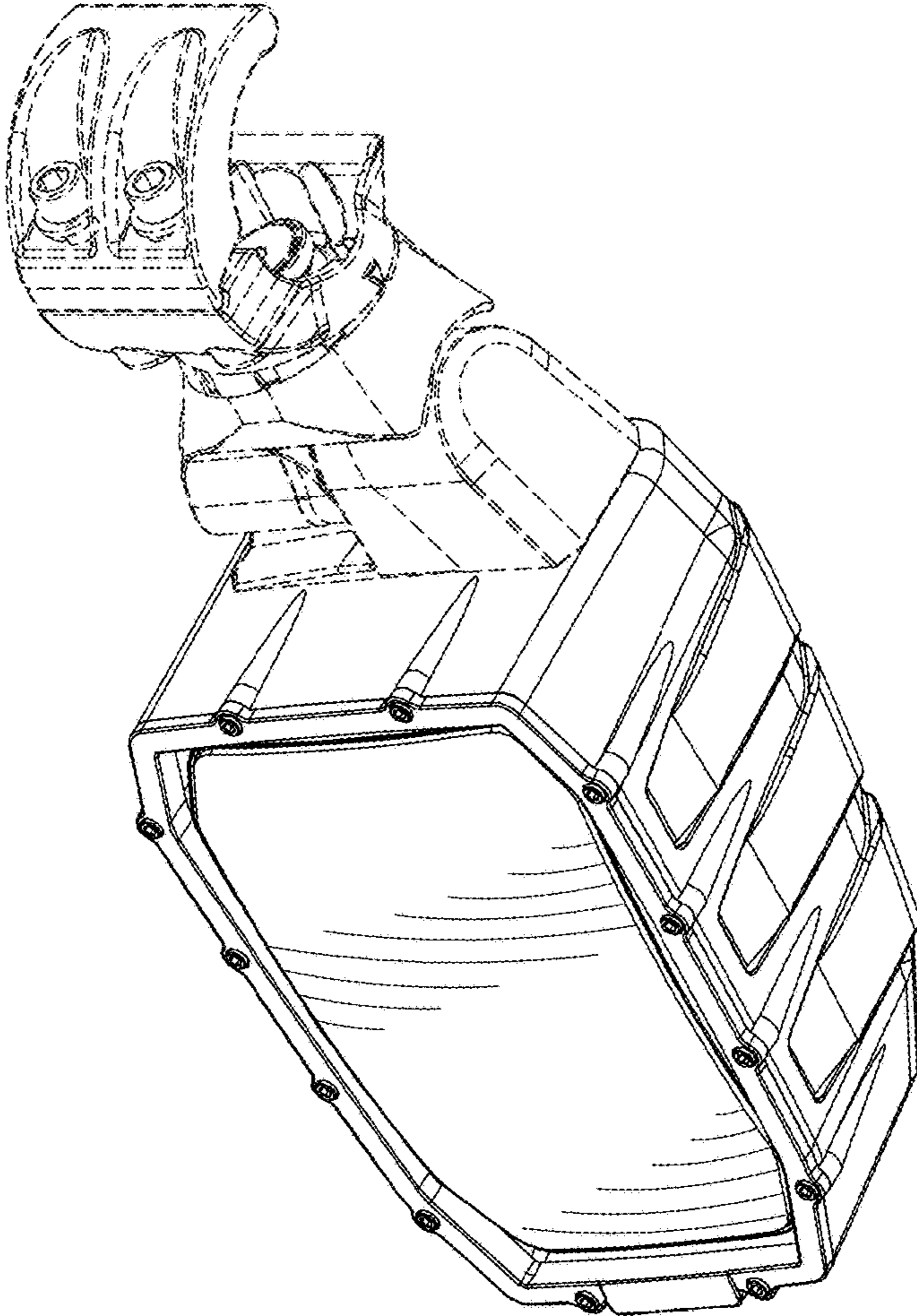


FIG. 8

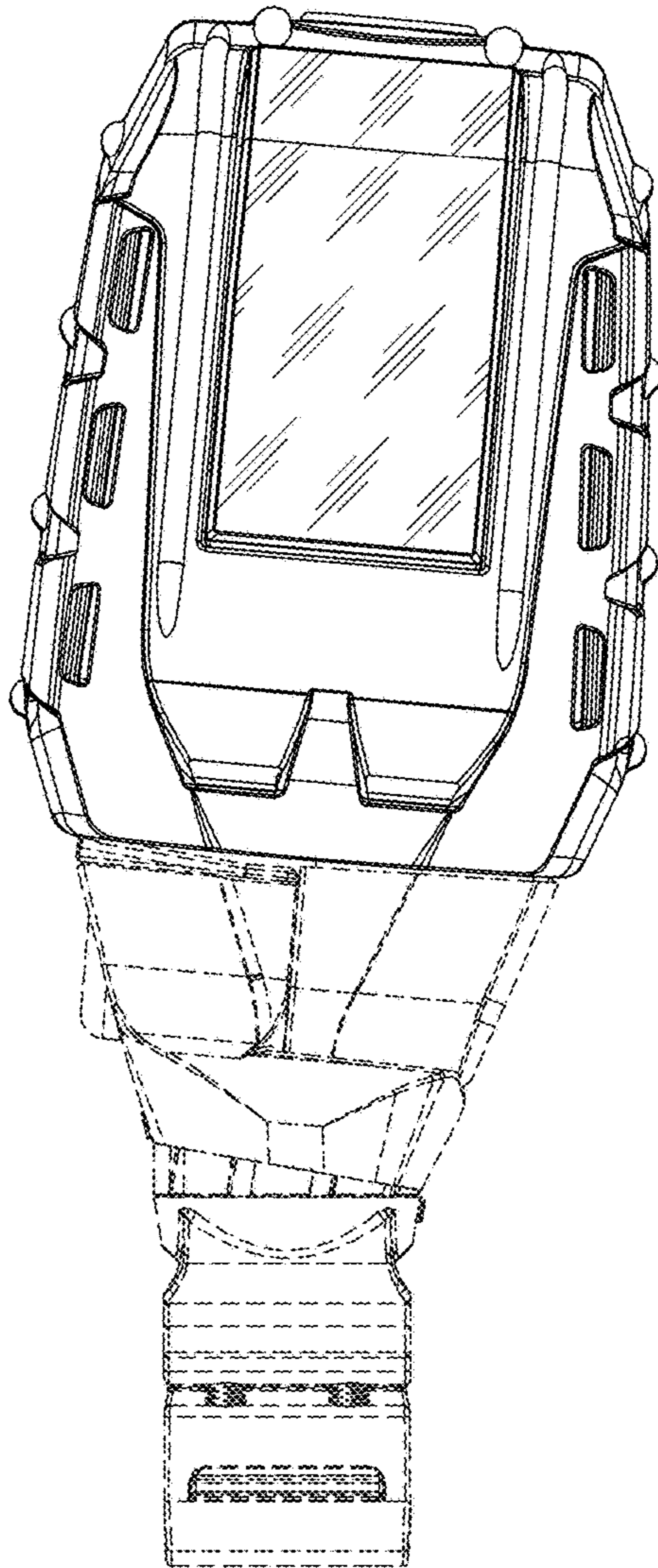


FIG. 9

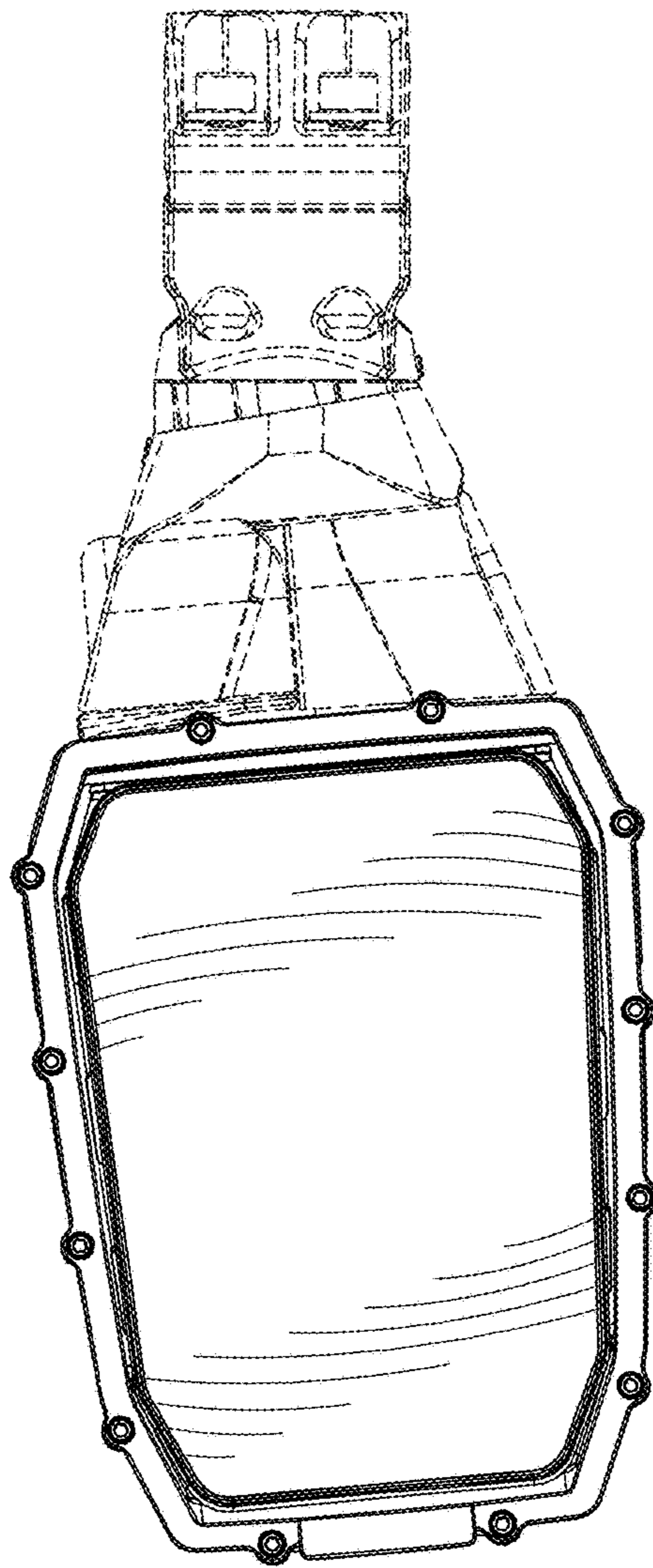


FIG. 10

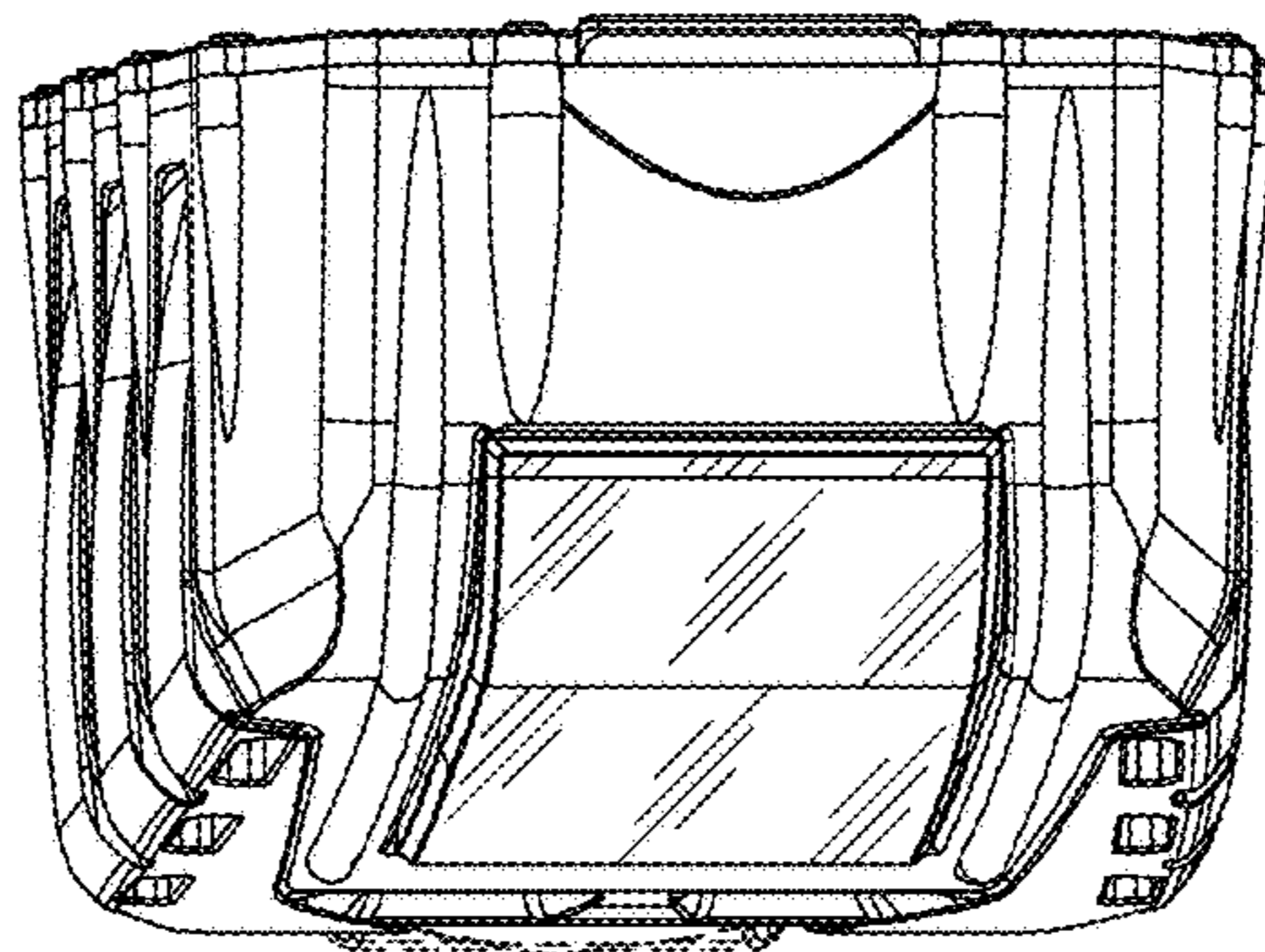


FIG. 11

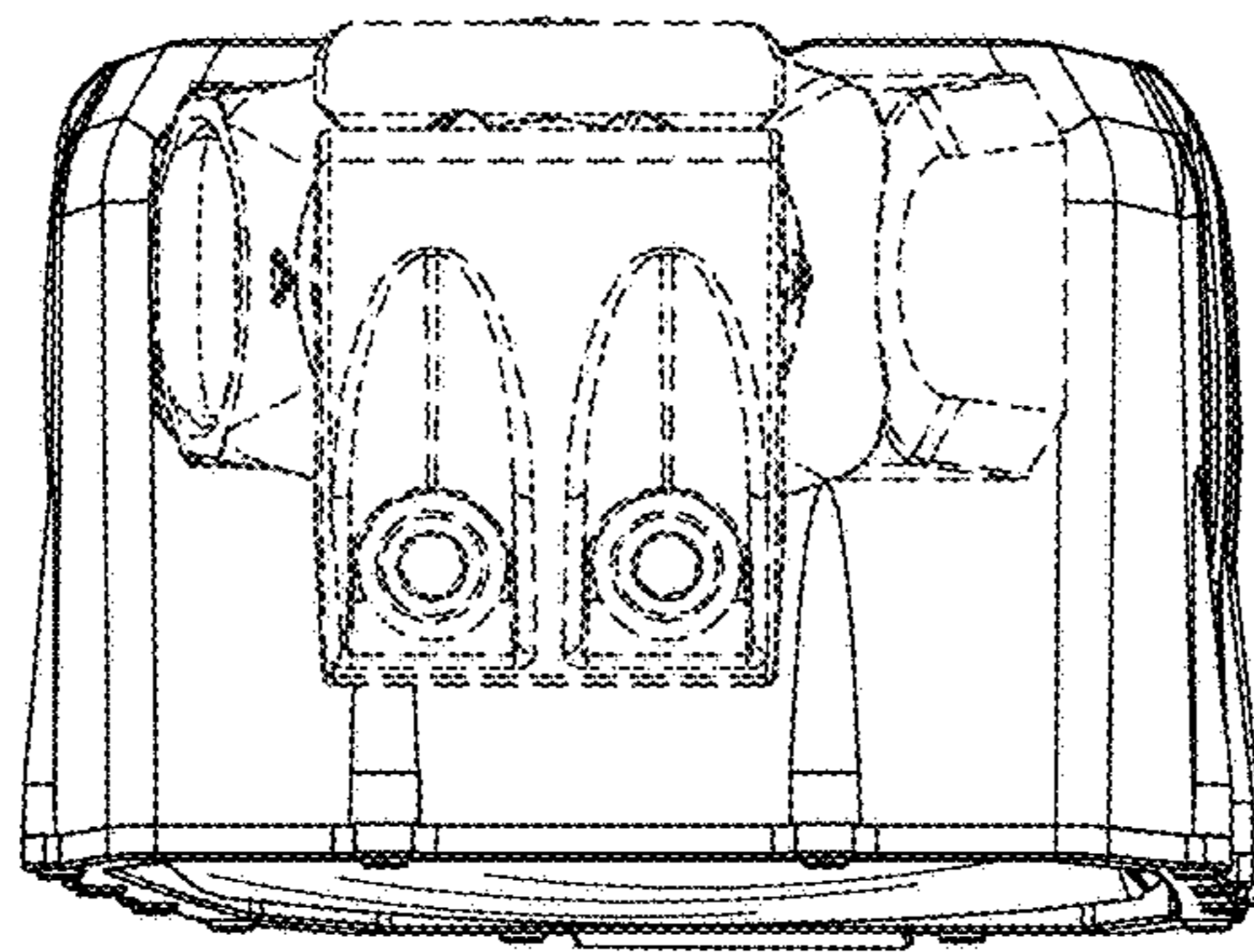


FIG. 12

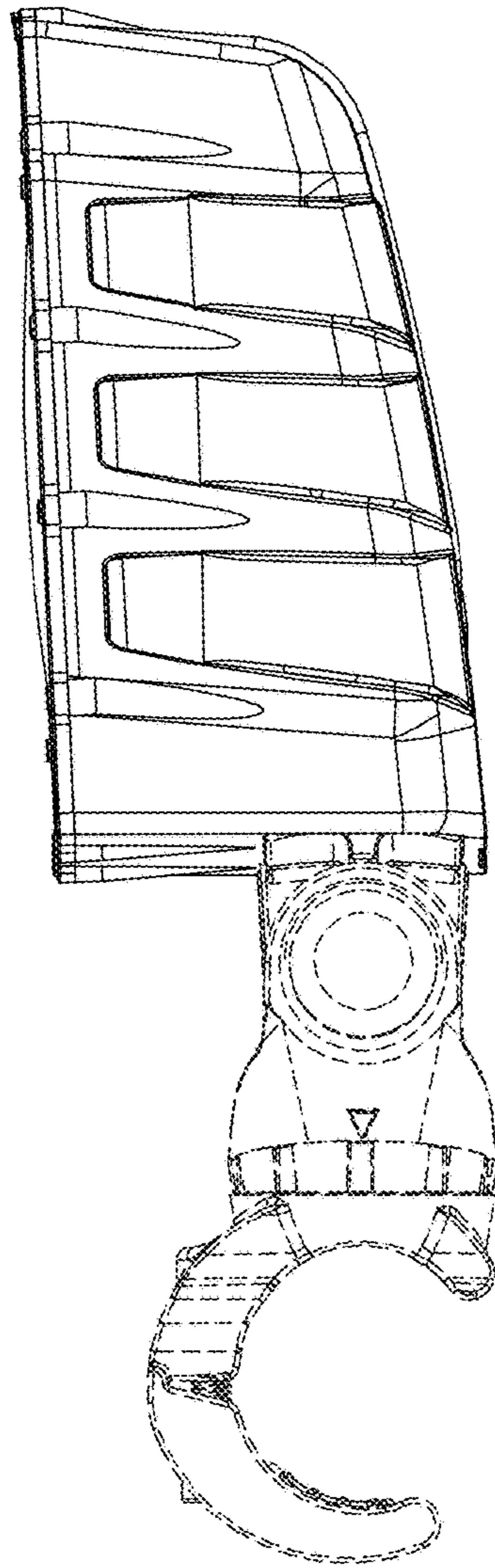


FIG. 13

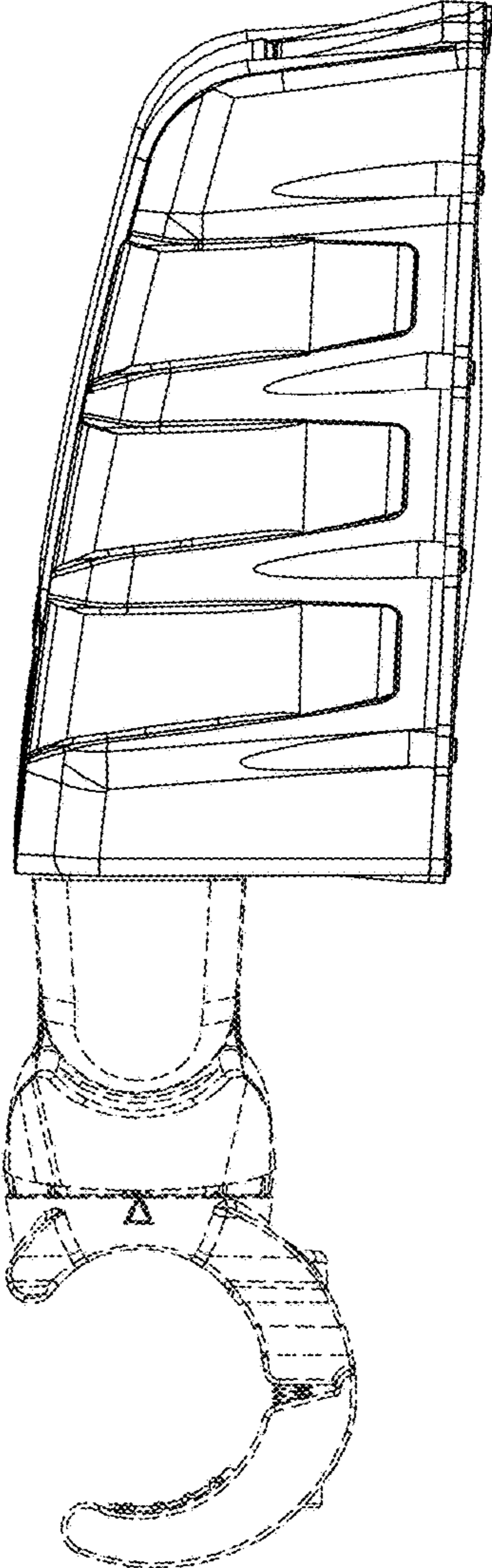


FIG. 14

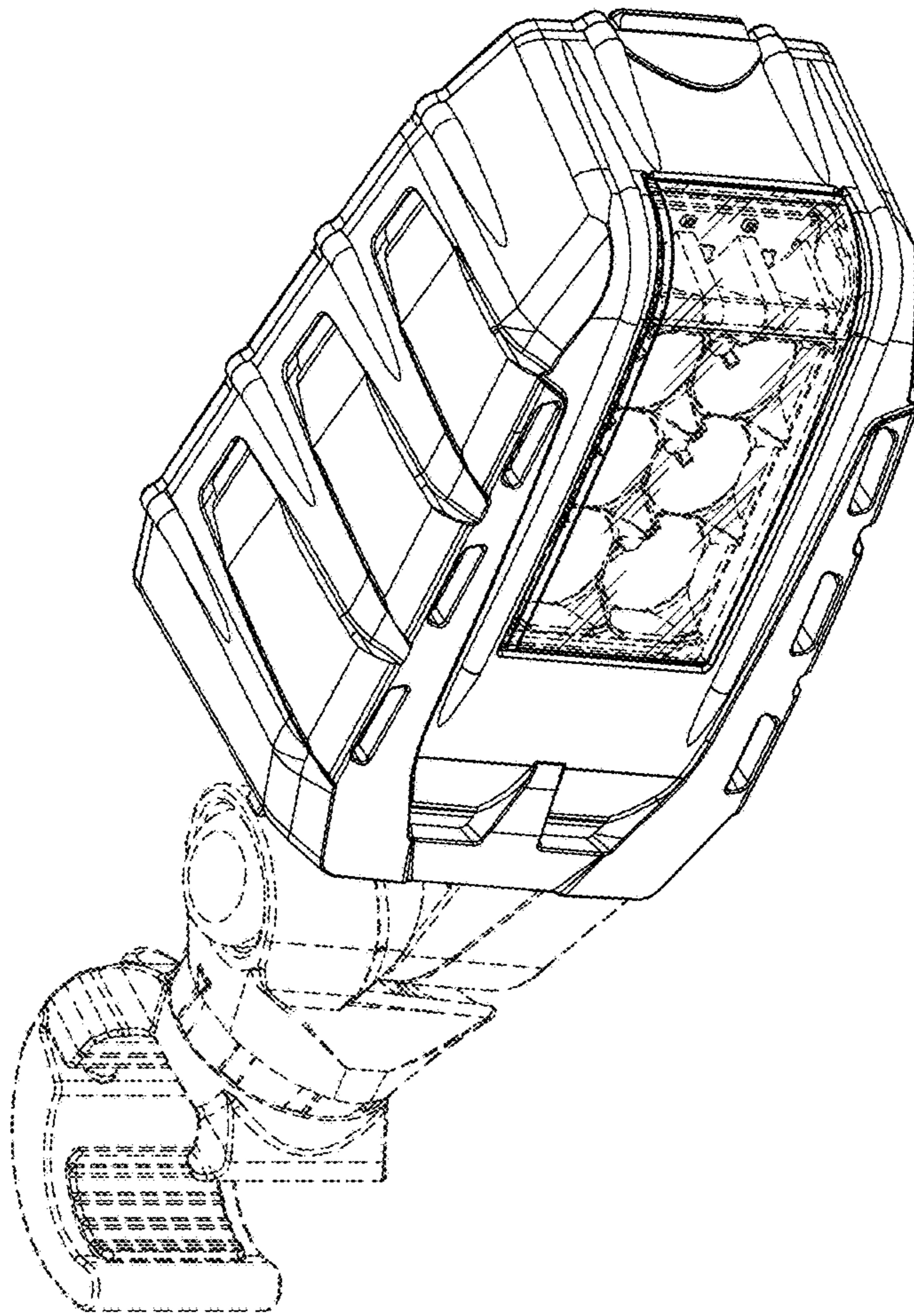


FIG. 15

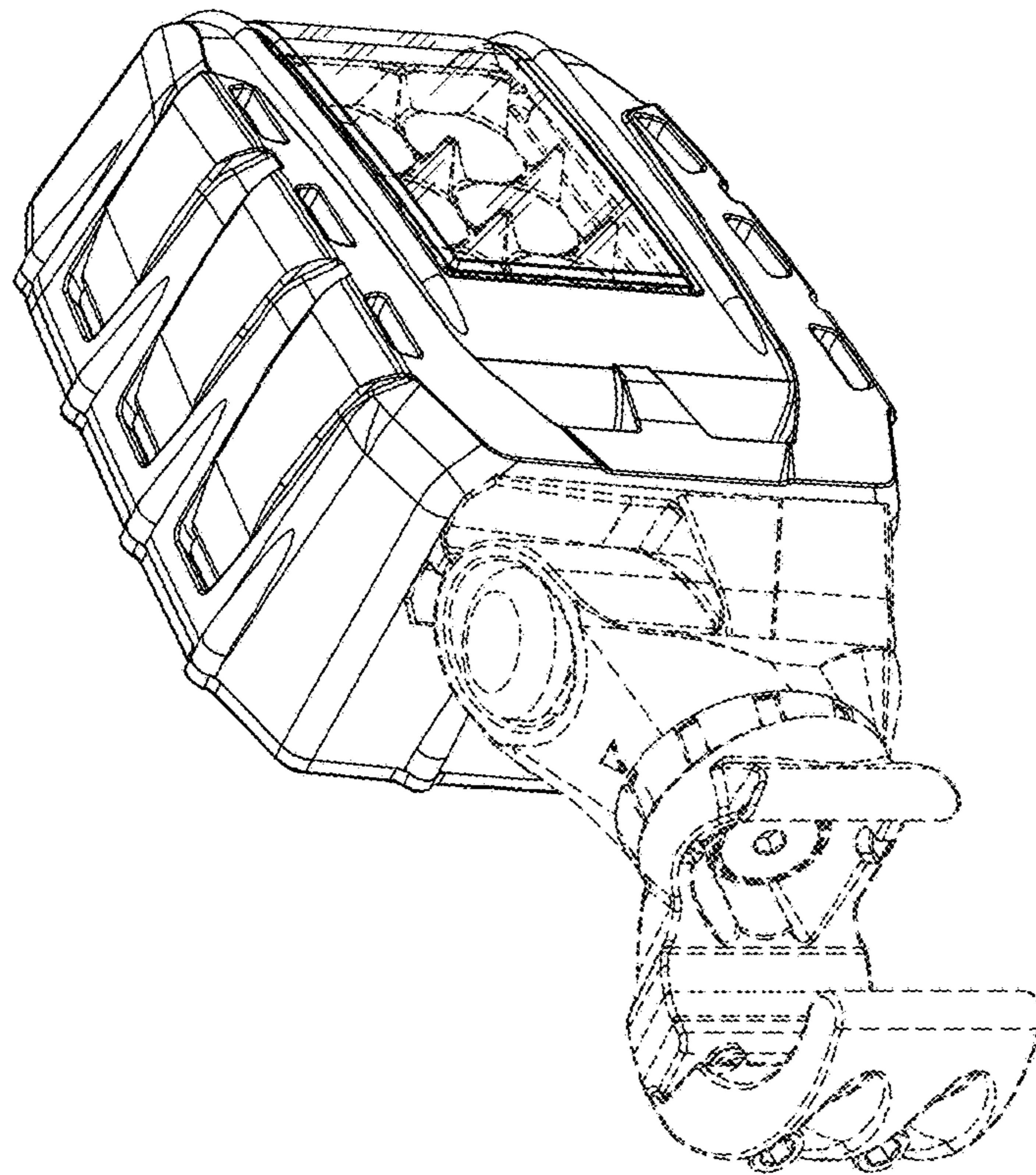


FIG. 16

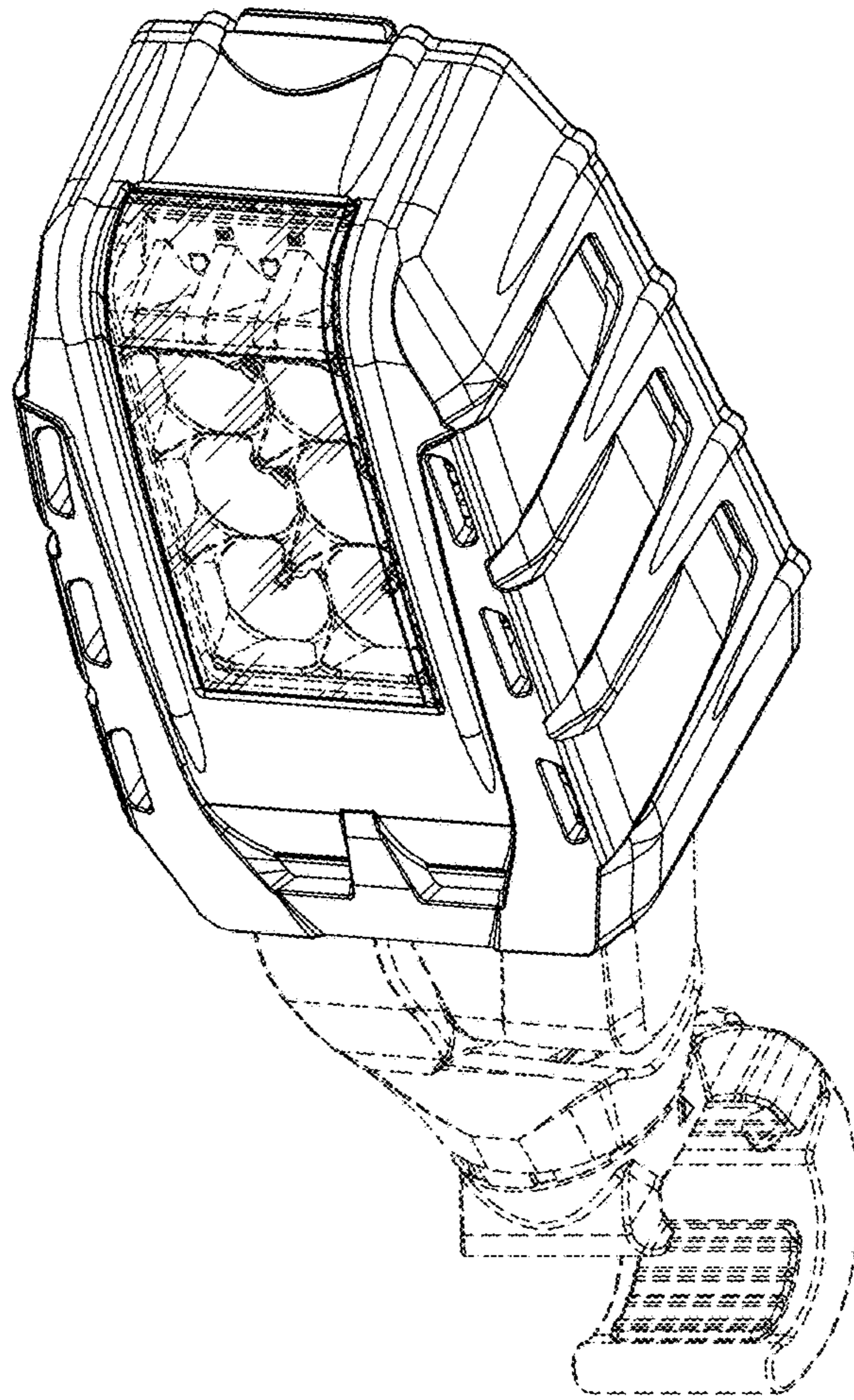


FIG. 17

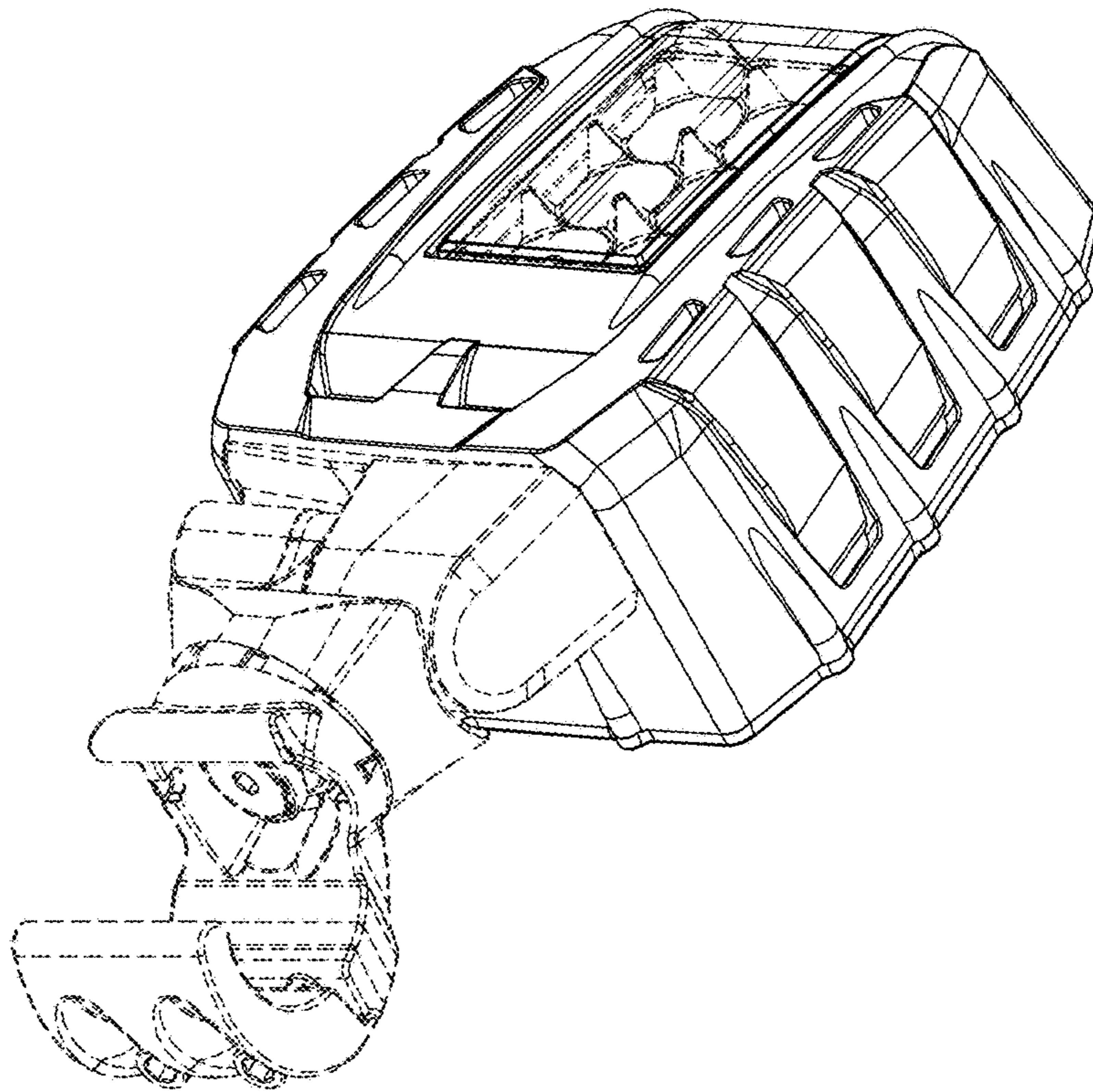


FIG. 18

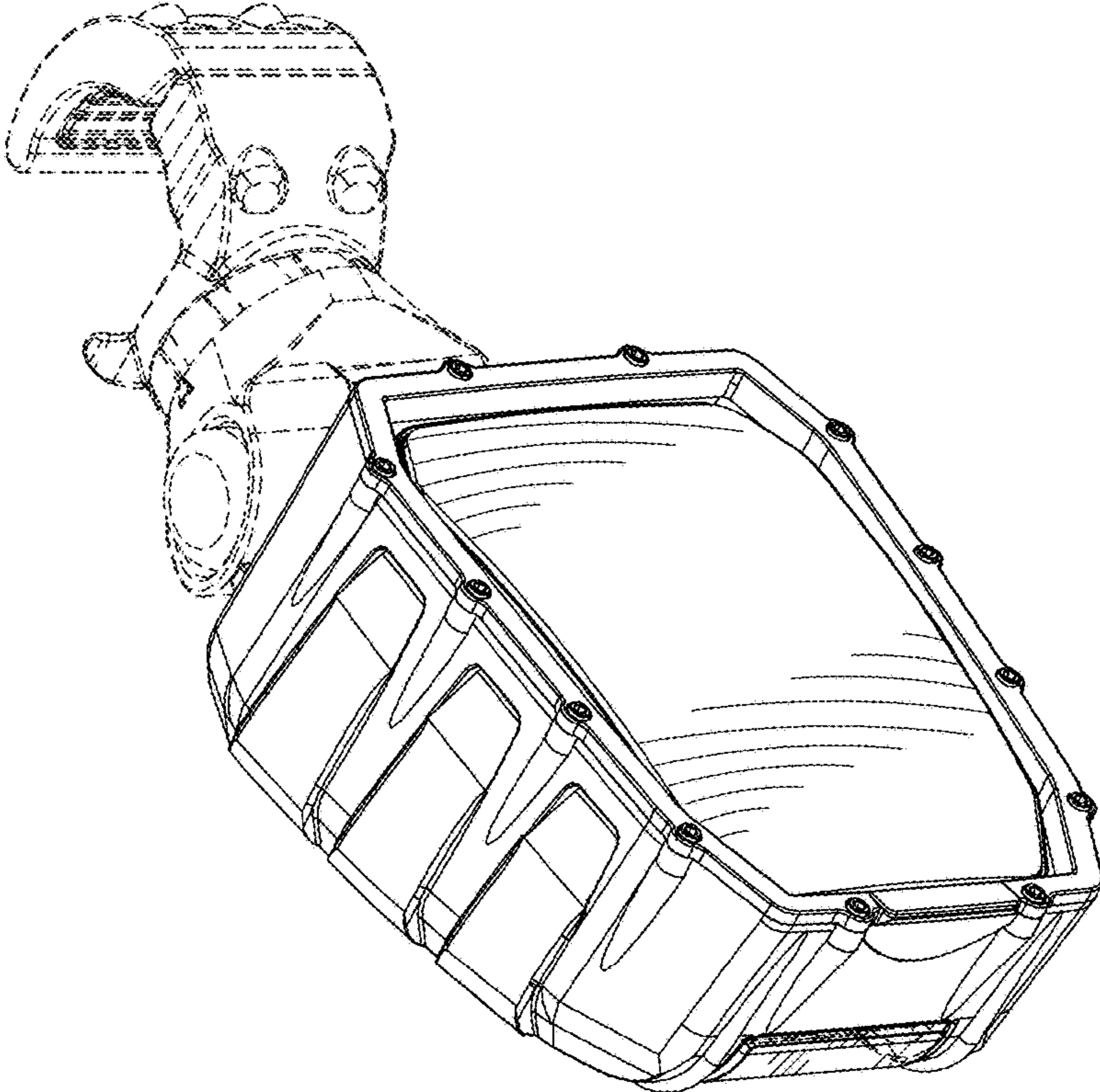


FIG. 19

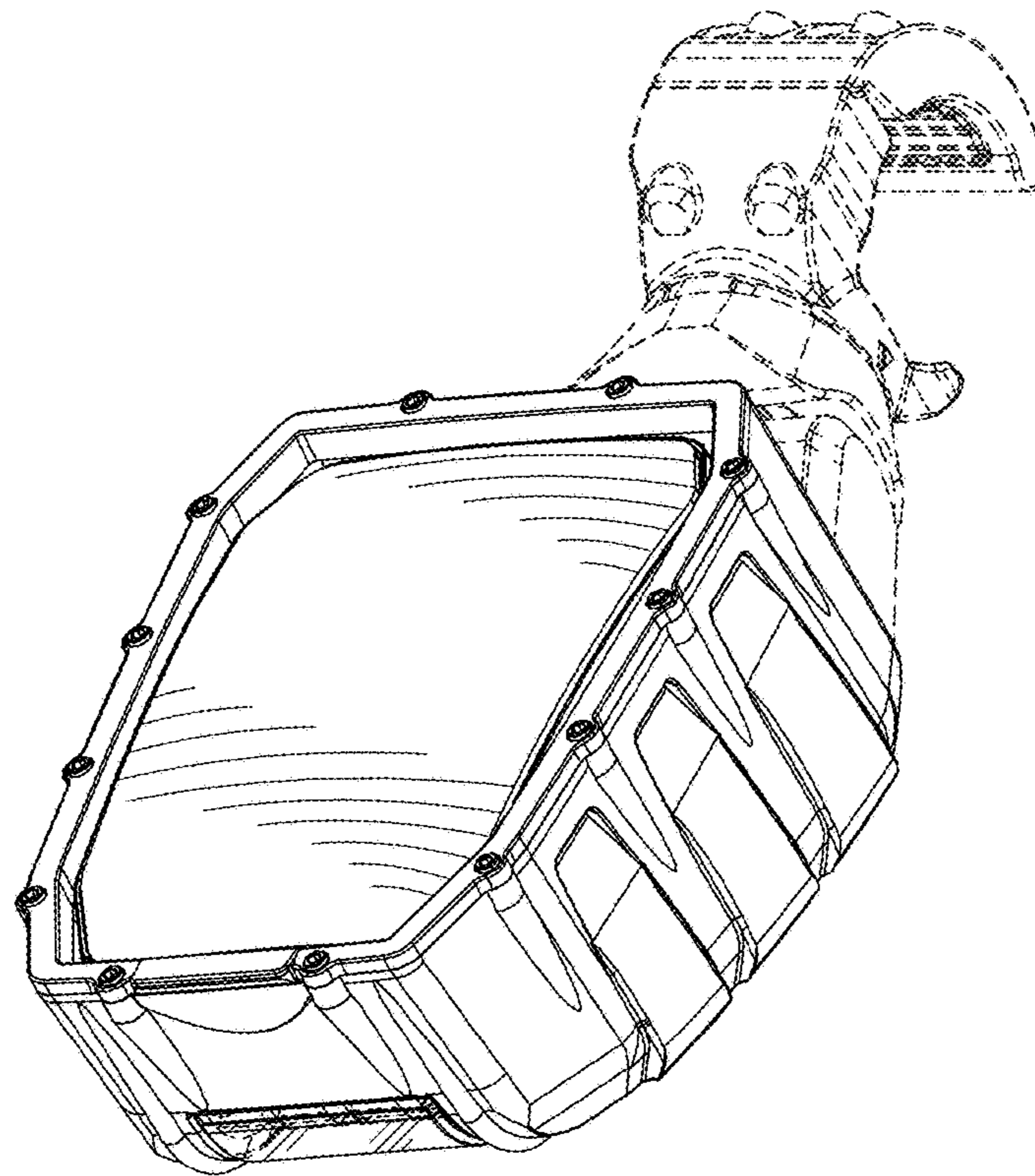


FIG. 20

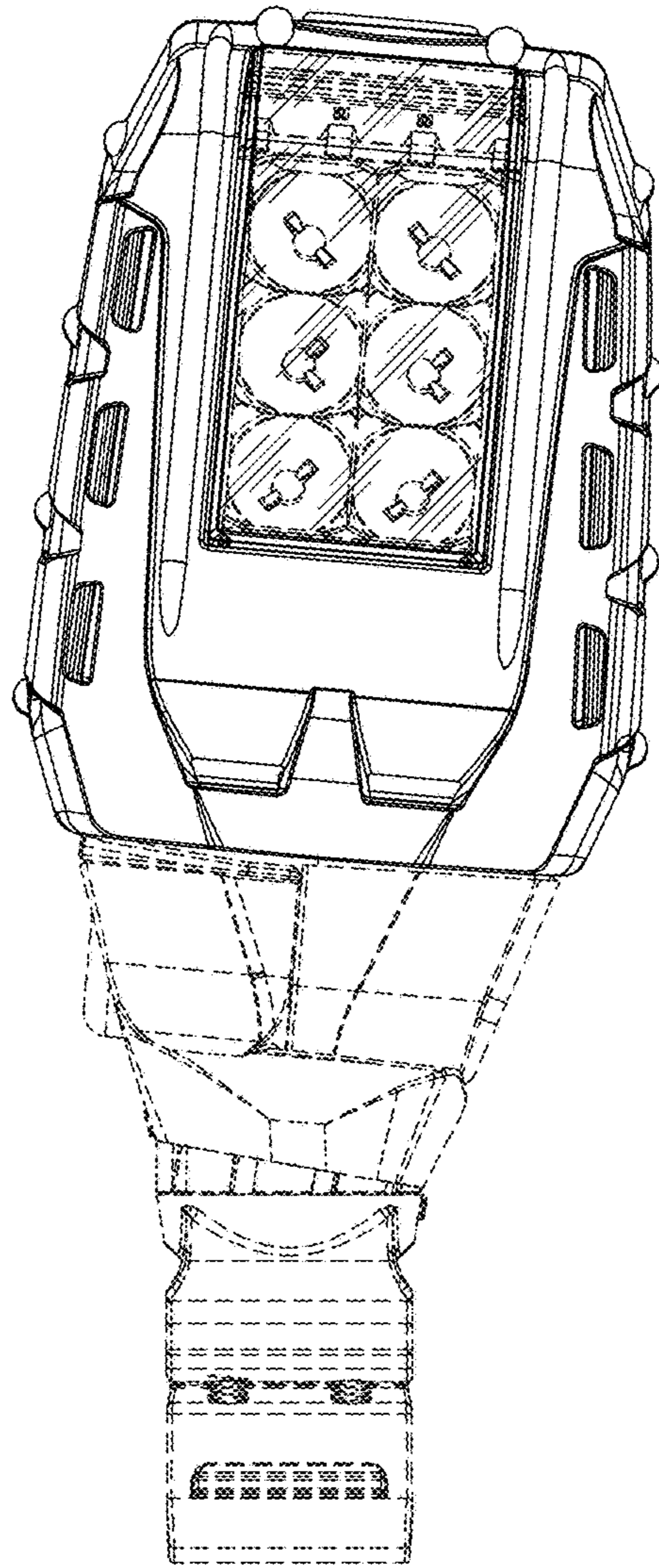


FIG. 21

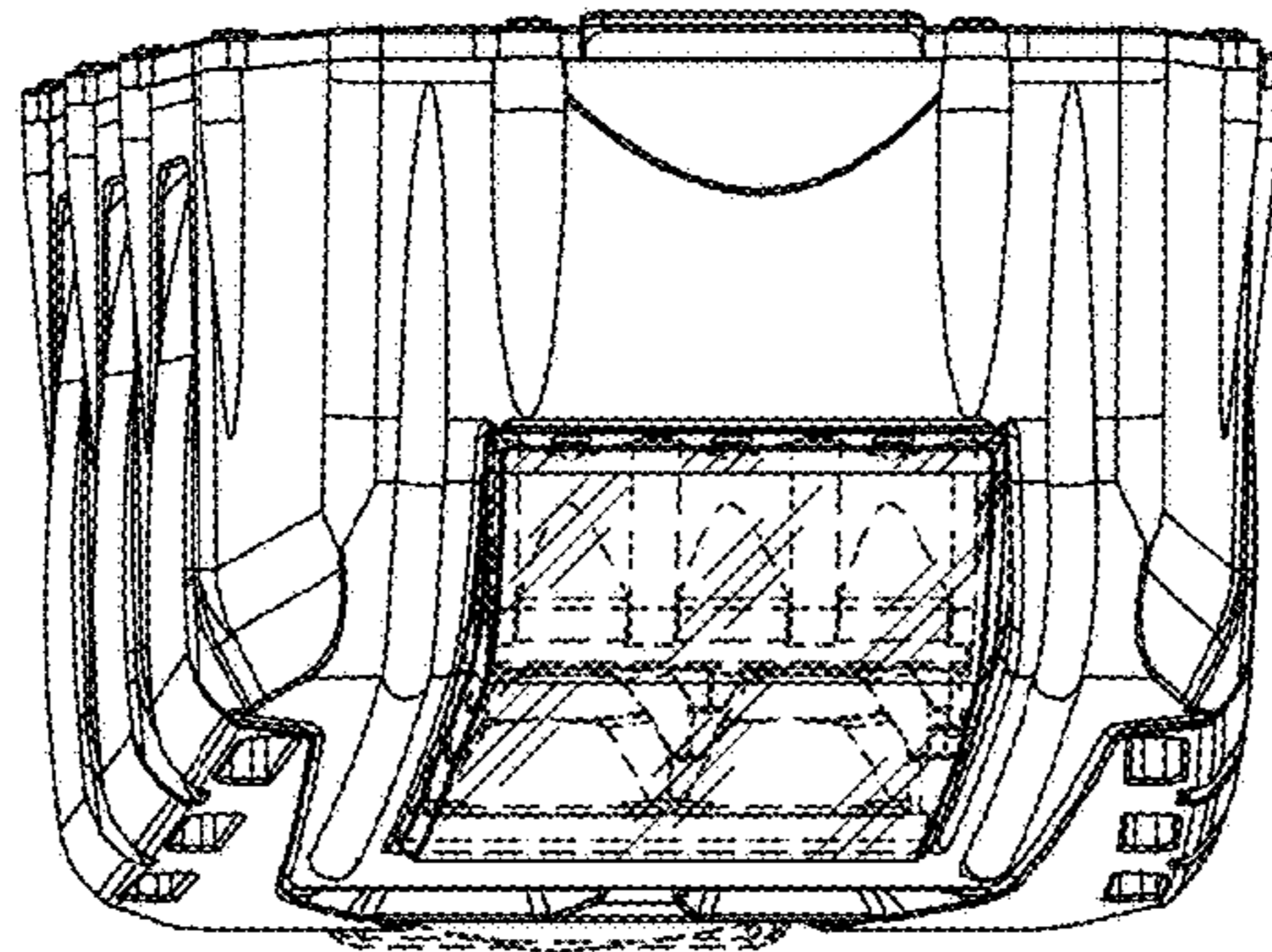


FIG. 22