



US00D843604S

(12) **United States Design Patent**  
**Grubka et al.**

(10) **Patent No.:** **US D843,604 S**  
(45) **Date of Patent:** **\*\* Mar. 19, 2019**

- (54) **SHINGLE**
- (71) Applicant: **Owens Corning Intellectual Capital, LLC**, Toledo, OH (US)
- (72) Inventors: **Lawrence Jerome Grubka**, Westerville, OH (US); **Rita Roberts**, Oregon, OH (US); **Christina Marie Wise**, Granville, OH (US)
- (73) Assignee: **Owens Corning Intellectual Capital, LLC**, Toledo, OH (US)

- (\*\*) Term: **15 Years**
- (21) Appl. No.: **29/615,102**
- (22) Filed: **Aug. 25, 2017**

**Related U.S. Application Data**

- (62) Division of application No. 29/547,598, filed on Dec. 4, 2015, now Pat. No. Des. 805,220.
- (51) **LOC (11) Cl.** ..... **25-01**
- (52) **U.S. Cl.**  
USPC ..... **D25/139**
- (58) **Field of Classification Search**  
USPC ..... D25/138-163, 119, 123  
CPC .... E04D 1/00; E04D 1/02; E04D 1/06; E04D 1/12; E04D 1/18; E04D 3/00; E04D 3/02; E04D 3/16; E04D 3/24; E04D 3/30; E04D 3/361; E04D 3/368; E04D 3/362; E04D 3/363; E04D 3/364; E04F 2201/0115; E04F 2201/0153; E04F 13/08; E04F 13/0894  
See application file for complete search history.

(56) **References Cited**  
U.S. PATENT DOCUMENTS

- 1,741,403 A \* 12/1929 Caton ..... E04D 1/28 52/553
- 1,885,346 A \* 11/1932 Harshberger ..... E04D 1/26 52/527

- 1,903,023 A \* 3/1933 Black ..... E04D 1/12 52/554
  - 1,964,410 A \* 6/1934 Abraham ..... E04D 1/12 52/105
  - 2,103,076 A 12/1937 Harshberger et al.
  - 2,135,811 A \* 11/1938 Goslin ..... E04D 1/12 52/542
  - 3,138,897 A 6/1964 McCorkle
  - 4,559,267 A 12/1985 Freshwater et al.
- (Continued)

**OTHER PUBLICATIONS**

Devonshire Owens Corning (on-line), no date available. Retrieved from Internet Jul. 5, 2018, URL: <https://www.owenscorning.com/roofing/shingles/devonshire/> (2 pages).\*

(Continued)

*Primary Examiner* — Vy N Koenig  
*Assistant Examiner* — Kimberly Barnes  
(74) *Attorney, Agent, or Firm* — Calfee, Halter & Griswold LLP

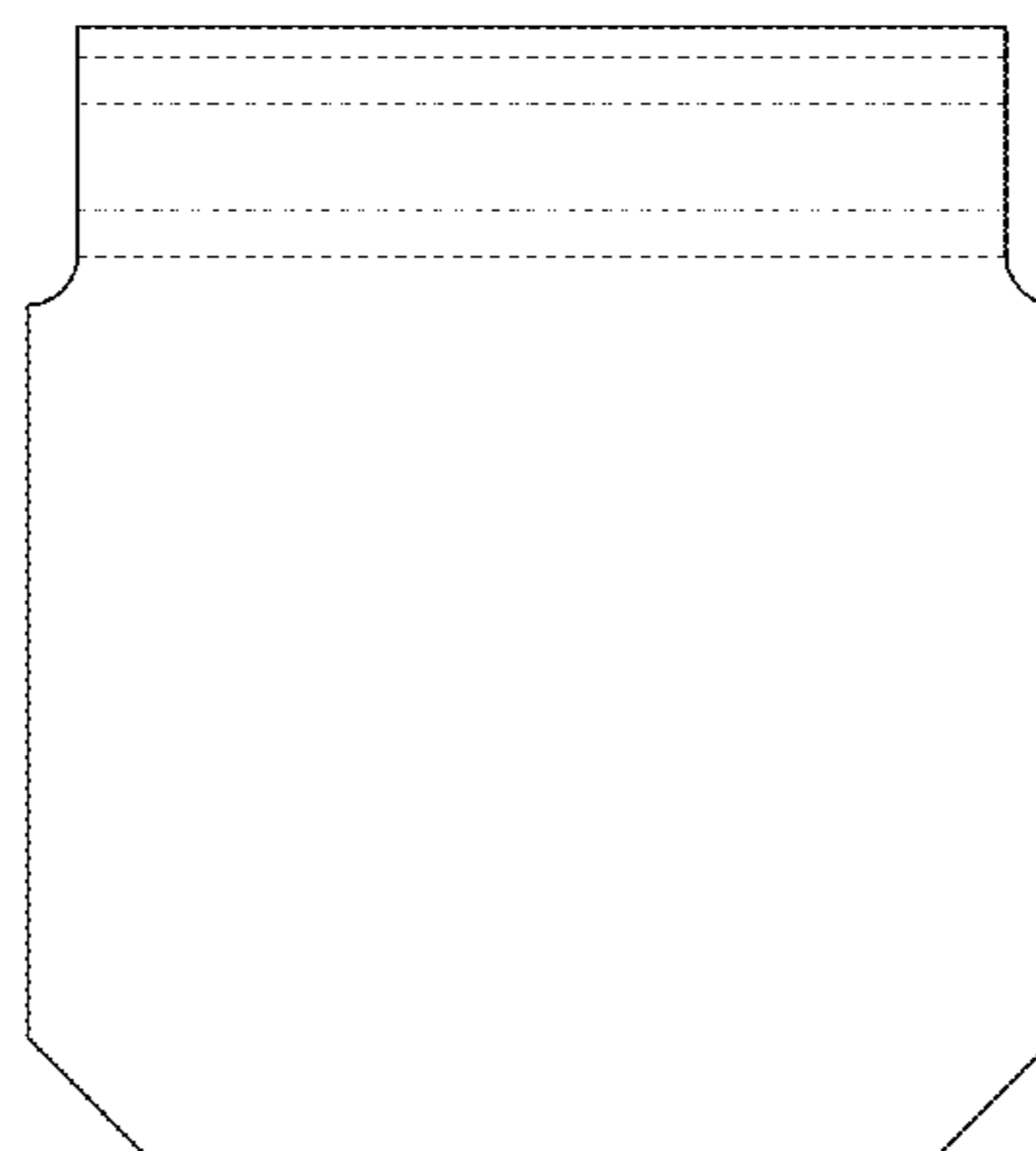
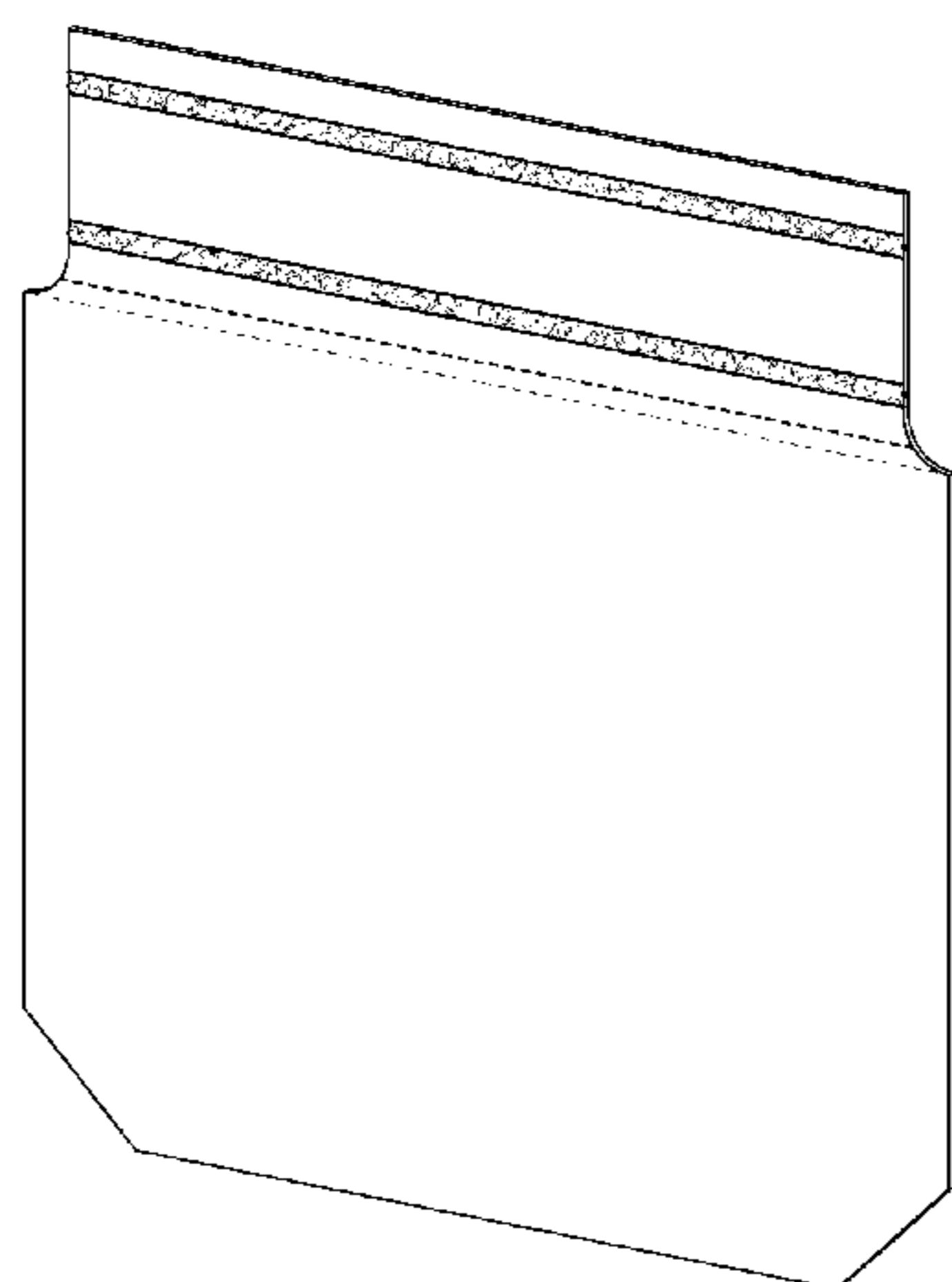
(57) **CLAIM**

The ornamental design for a shingle, as shown and described.

**DESCRIPTION**

FIG. 1 is a front isometric view of a shingle, showing our new design;  
FIG. 2 is a right side elevation view of the shingle of FIG. 1;  
FIG. 3 is a top plan of the shingle of FIG. 1;  
FIG. 4 is a front elevation view of the shingle of FIG. 1; and,  
FIG. 5 is a rear elevation view of the shingle of FIG. 1.  
The broken lines in the figures depict portions of the shingle that form no part of the claimed design.

**1 Claim, 2 Drawing Sheets**



(56)

**References Cited**

U.S. PATENT DOCUMENTS

4,637,191	A *	1/1987	Smith .....	E04D 1/26 52/522
4,824,880	A	4/1989	Algrim et al.	
5,950,387	A *	9/1999	Stahl .....	E04D 1/26 52/555
6,199,338	B1 *	3/2001	Hudson, Jr. ....	E04D 1/26 52/105
6,494,010	B1 *	12/2002	Brandon .....	E04D 1/20 52/518
6,874,289	B2 *	4/2005	Koch .....	E04D 1/26 52/522
6,968,662	B2 *	11/2005	Rodrigues .....	E04D 1/20 52/518
7,204,063	B2 *	4/2007	Kandalgaonkar .....	E04D 1/26 428/143
7,578,108	B2 *	8/2009	Swanson .....	E04D 1/26 156/71
D633,221	S *	2/2011	Koch .....	D25/139
D633,222	S	2/2011	Koch et al.	
8,371,085	B2	2/2013	Koch	
8,915,037	B2 *	12/2014	Jenkins .....	E04D 1/26 52/420

9,017,791	B2	4/2015	Grubka et al.	
9,151,055	B2	10/2015	Grubka	
D755,997	S *	5/2016	Frey .....	D25/139
9,758,970	B2 *	9/2017	Grubka .....	E04D 1/20
D805,220	S *	12/2017	Grubka .....	D25/139
2010/0212240	A1	8/2010	Grubka	
2015/0240496	A1	8/2015	Grubka et al.	

OTHER PUBLICATIONS

Devonshire Roofing Shingles (on-line), no date available. Retrieved from Internet Jun. 9, 2017, URL: <https://www.owenscorning.com/roofing/shingles/devonshire> (1 page).

Notice of Allowance from U.S. Appl. No. 29/547,598 dated Aug. 31, 2017.

Office Action from U.S. Appl. No. 29/615,097 dated Jul. 11, 2018.

Office Action from U.S. Appl. No. 29/615,101 dated Jul. 11, 2018.

Notice of Allowance in U.S. Appl. No. 29/615,099 dated Jul. 20, 2018.

Notice of Allowance in U.S. Appl. No. 29/615,097 dated Oct. 24, 2018.

Notice of Allowance in U.S. Appl. No. 29/615,101 dated Oct. 24, 2018.

\* cited by examiner

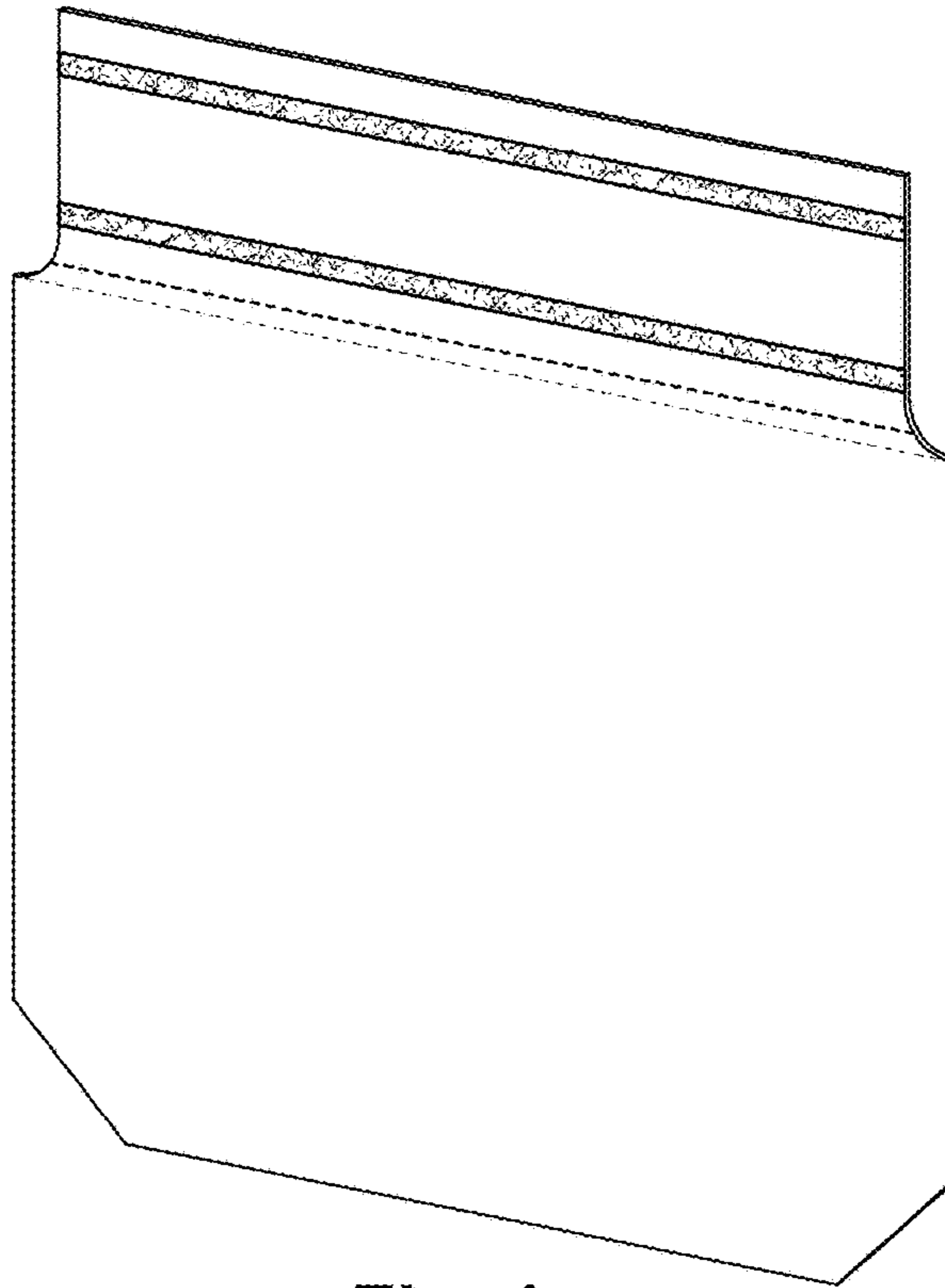


Fig. 1

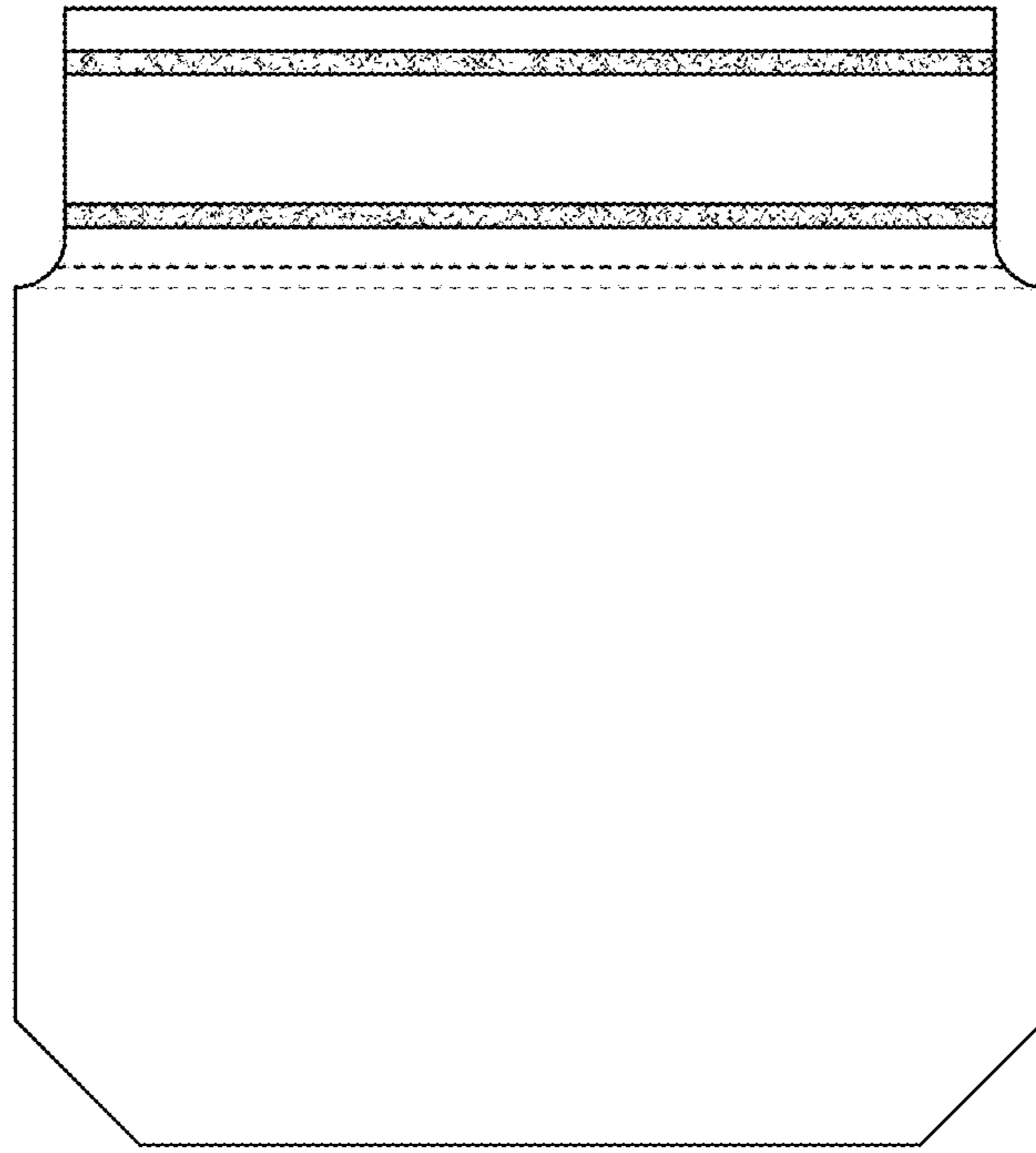


Fig. 2



Fig. 3

**Fig. 4**



**Fig. 5**

