



US00D843600S

(12) **United States Design Patent** (10) **Patent No.:** **US D843,600 S**
Schmidt et al. (45) **Date of Patent:** **** Mar. 19, 2019**

(54) **SUPPORT BEAM FOR COOLING TOWER
FILL ASSEMBLY**

(71) Applicant: **Midwest Cooling Towers, Inc.**,
Chickasha, OK (US)

(72) Inventors: **Phillip Shane Schmidt**, Chickasha, OK
(US); **Andrew M. Strain**, Chickasha,
OK (US)

(73) Assignee: **Midwest Cooling Towers, Inc.**,
Chickasha, OK (US)

(**) Term: **15 Years**

(21) Appl. No.: **29/592,586**

(22) Filed: **Jan. 31, 2017**

(51) **LOC (11) Cl.** **25-01**

(52) **U.S. Cl.**
USPC **D25/126**

(58) **Field of Classification Search**
USPC D25/119, 126, 127, 128, 129, 130, 131,
D25/132, 133, 134, 135; 52/633, 656.7,
52/149, 345, 831, 832, 833, 834, 835;
248/228.1, 214, 218.4, 219.1, 219.2,
(Continued)

(56) **References Cited**

U.S. PATENT DOCUMENTS

3,749,381 A 7/1973 Furlong et al.
3,894,127 A 7/1975 Fordyce
3,917,765 A 11/1975 Furlong et al.
(Continued)

OTHER PUBLICATIONS

“Fill Hangers.” Riverdale Mills Corporation. Retrieved from the
Internet: <http://riverdale.com/products/fill-hangers/>, Dec. 7, 2016.

(Continued)

Primary Examiner — Garth Rademaker

Assistant Examiner — Samantha Q. Lawrence

(74) *Attorney, Agent, or Firm* — Dunlap Codding, P.C.

(57) **CLAIM**

The ornamental design for a support beam for a cooling
tower fill assembly, as shown and described.

DESCRIPTION

FIG. 1 is a perspective view of a support beam for a cooling
tower fill assembly showing our new design.

FIG. 2 is a perspective view of a side opposite that shown
in FIG. 1.

FIG. 3 is a front elevational view thereof.

FIG. 4 is a rear elevational view thereof.

FIG. 5 is a side elevational view thereof.

FIG. 6 is an opposite side elevational view thereof.

FIG. 7 is a top plan view thereof.

FIG. 8 is a bottom plan view thereof.

FIG. 9 is a perspective view of another embodiment of a
support beam for a cooling tower fill assembly showing our
new design.

FIG. 10 is a perspective view of a side opposite that shown
in FIG. 9.

FIG. 11 is a front elevational view thereof.

FIG. 12 is a rear elevational view thereof.

FIG. 13 is a side elevational view thereof.

FIG. 14 is an opposite side elevational view thereof.

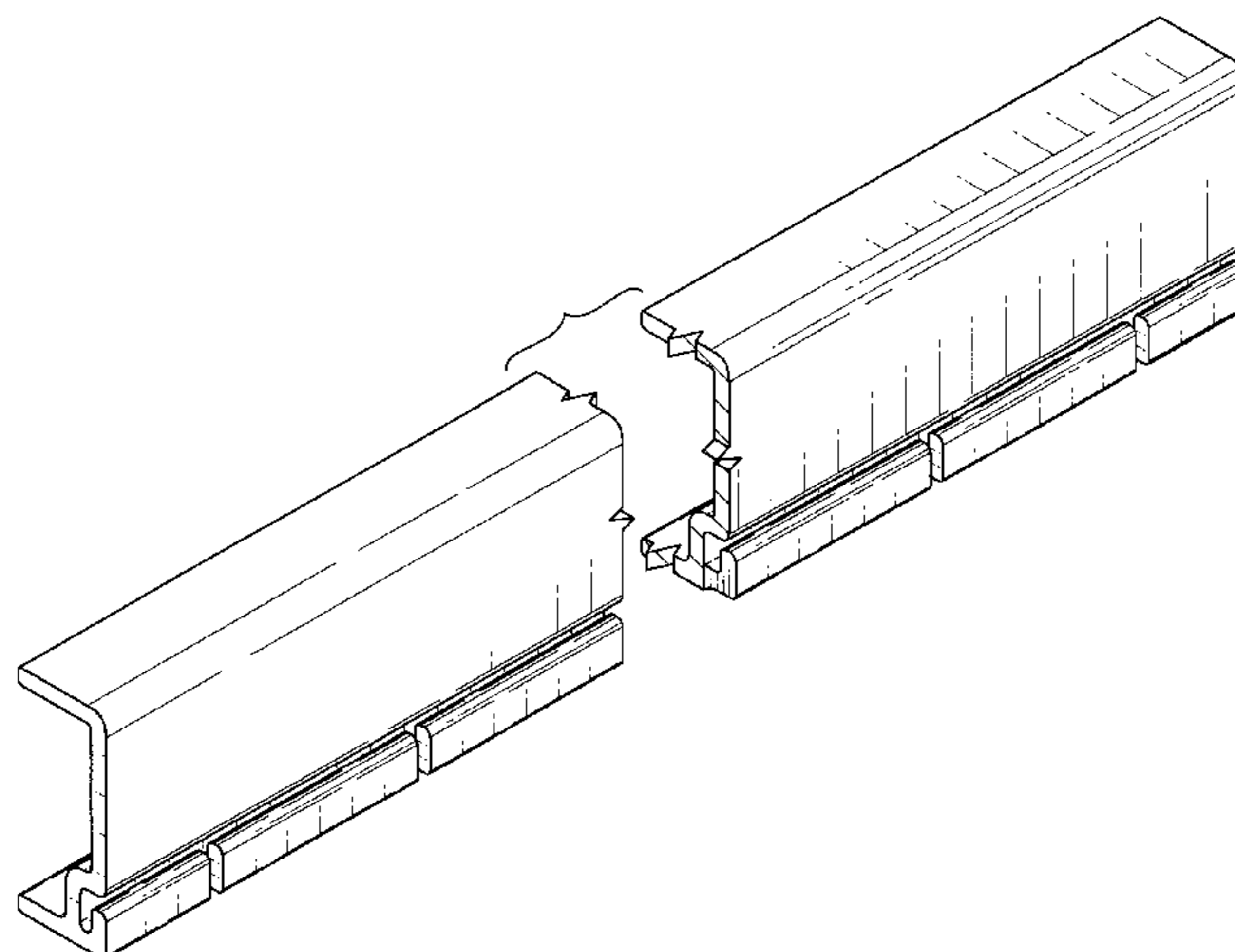
FIG. 15 is a top plan view thereof; and,

FIG. 16 is a bottom plan view thereof.

The broken lines shown in the drawings illustrate portions of
the support beam for cooling tower fill assembly that form
no part of the claimed design.

The support beam for cooling tower fill assembly is shown
with a symbolic break in its length. The appearance of any
portion of the article between the break lines forms no part
of the claimed design.

1 Claim, 8 Drawing Sheets



US D843,600 S

Page 2

(58) **Field of Classification Search**

USPC 248/219.3, 220.21, 221.22; 403/295, 170,
403/174, 178, 205, 217
CPC E04H 12/24; E04H 15/34; E04H 17/1421;
E04H 5/12; Y10S 261/11; F28F 25/082;
F28F 25/085; F28F 25/087; F28C 1/04;
F28C 1/00

See application file for complete search history.

(56) **References Cited**

U.S. PATENT DOCUMENTS

4,178,333 A 12/1979 Shepherd
4,181,692 A 1/1980 Stone
4,451,411 A 5/1984 Lefevre
D415,292 S * 10/1999 Giese D25/123
D474,286 S * 5/2003 Gregori D25/122
7,618,026 B2 11/2009 Armstrong
D697,232 S * 1/2014 Herman D25/126

8,646,624 B2 2/2014 Fernandez et al.
D702,466 S * 4/2014 Kim D6/702
D709,629 S * 7/2014 Rice D25/125
D780,942 S * 3/2017 Krause E04B 1/7629
D25/119
D780,943 S * 3/2017 Krause D25/119
D787,094 S * 5/2017 Britton D25/126
D787,709 S * 5/2017 Krause D25/119
D800,347 S * 10/2017 Blick D25/119
D813,418 S * 3/2018 Ewoldt D25/119
D815,758 S * 4/2018 Hendry D25/126
2006/0102817 A1 5/2006 Swartz et al.
2015/0211818 A1 7/2015 Krell et al.

OTHER PUBLICATIONS

“Splash Fill Systems.” C.E. Shepherd Company. Retrieved from the
Internet: http://www.ceshepherd.com/splash_fills.html, Dec. 7, 2016.

* cited by examiner

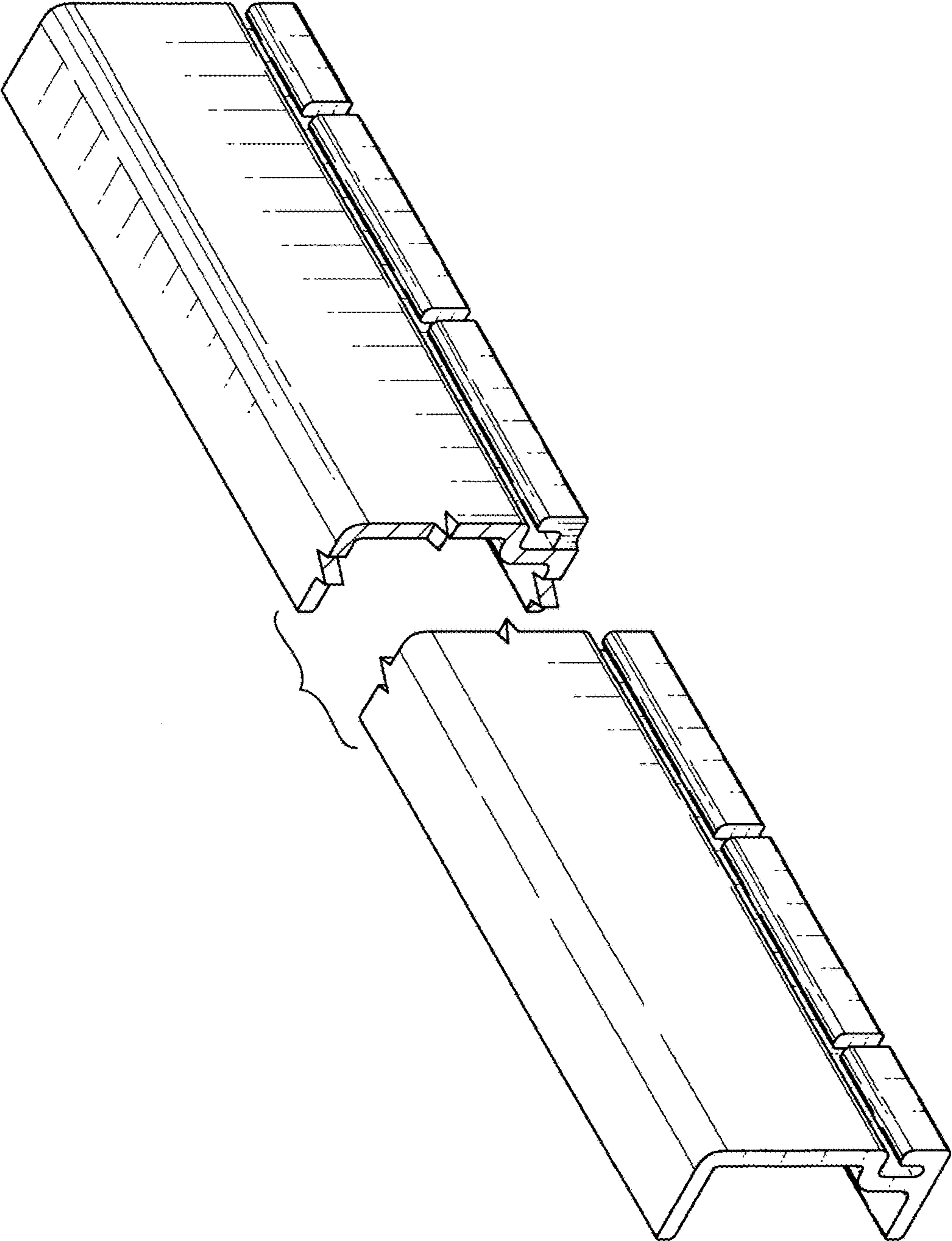


FIG. 1

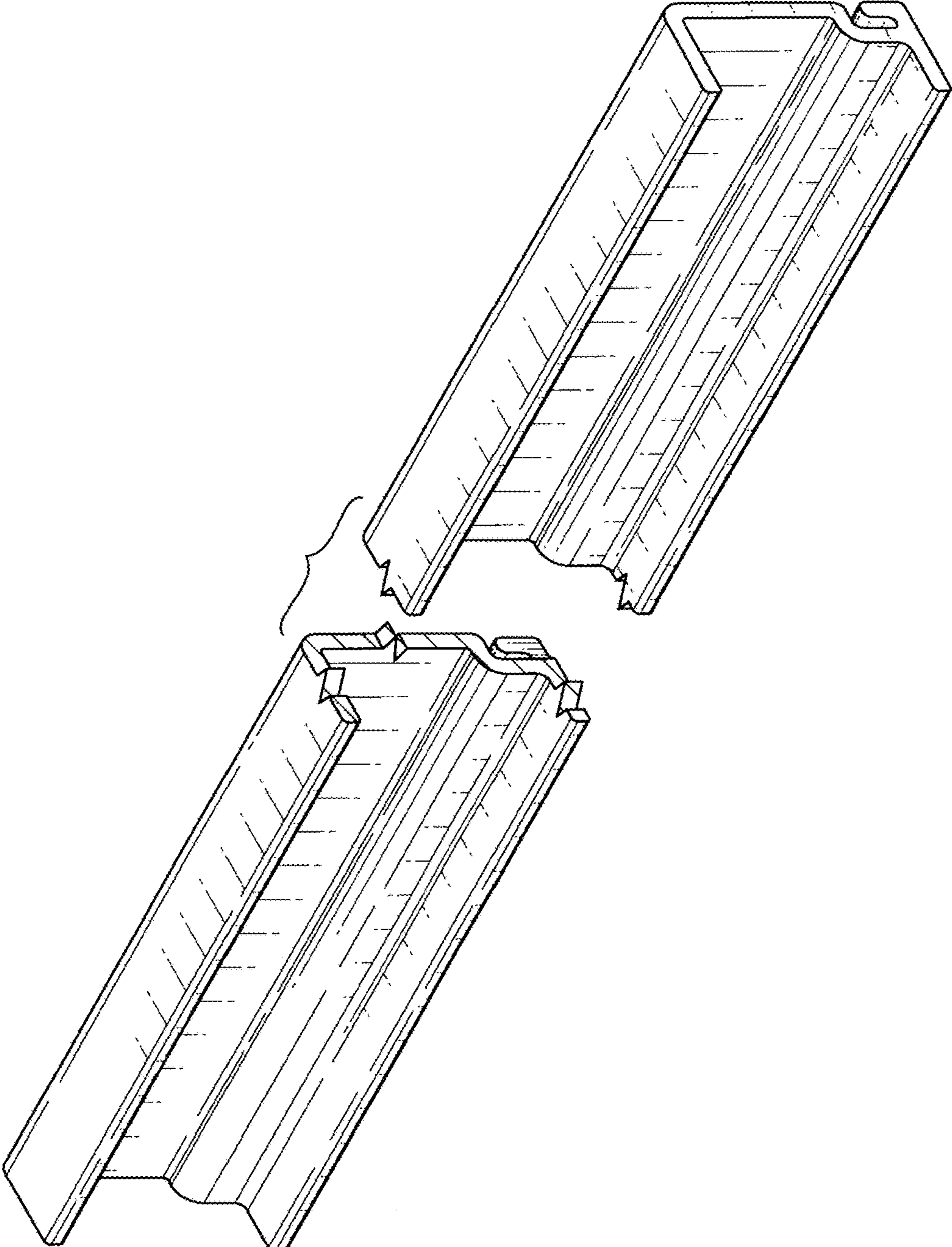


FIG. 2

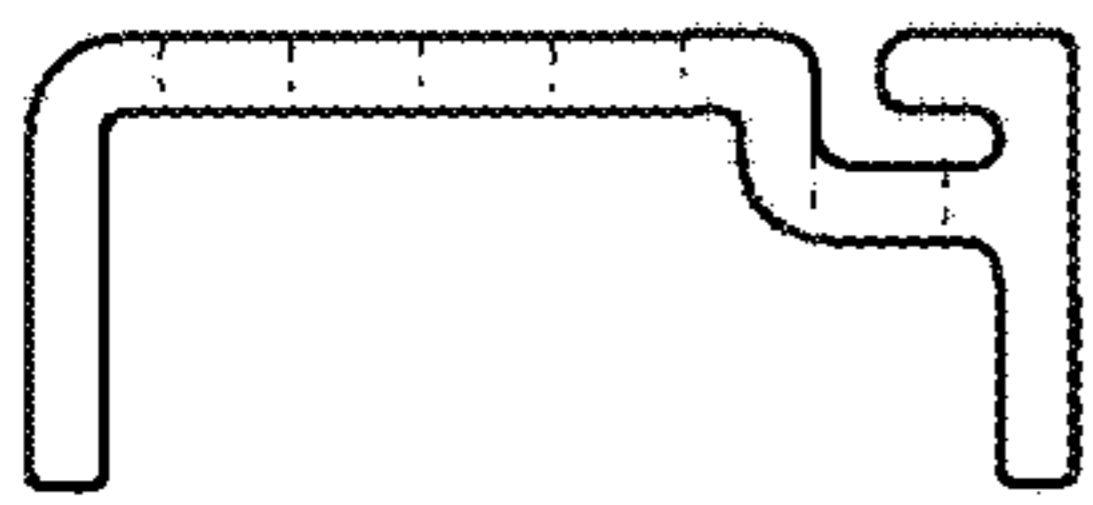


FIG. 3

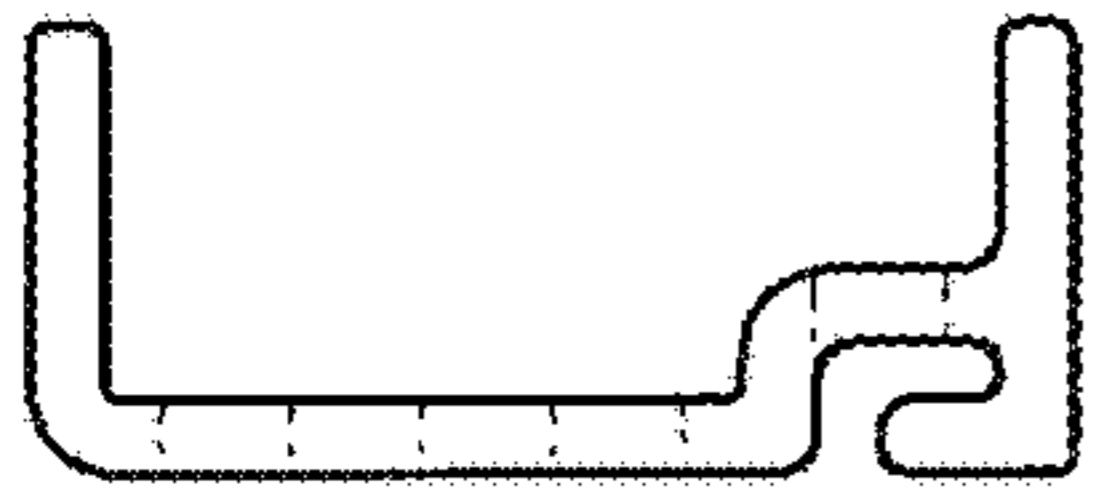


FIG. 4

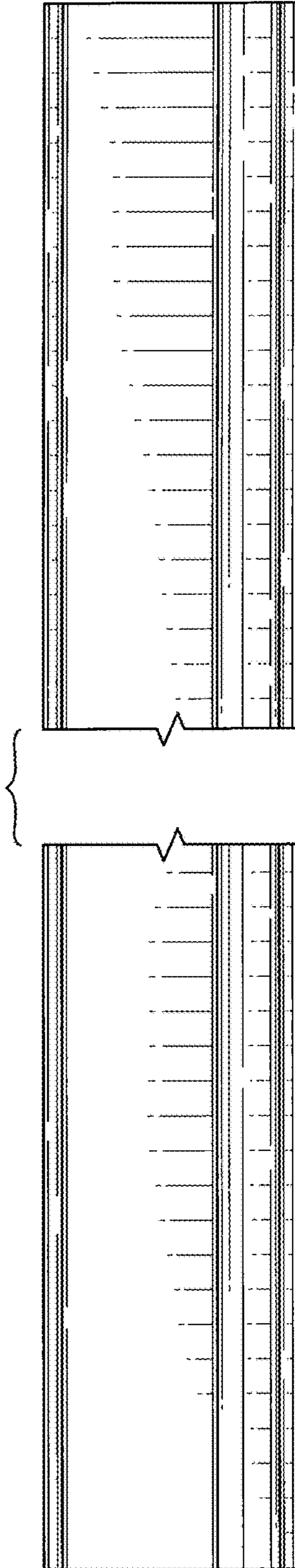


FIG. 5

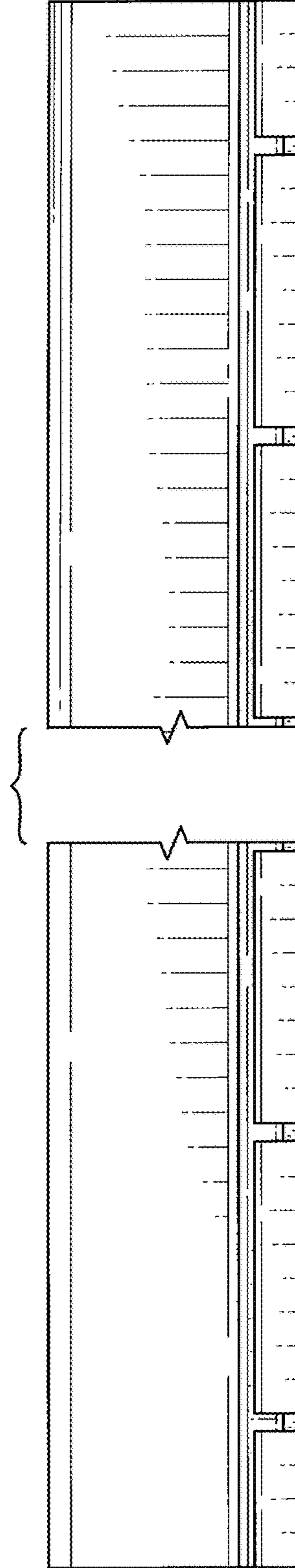


FIG. 6

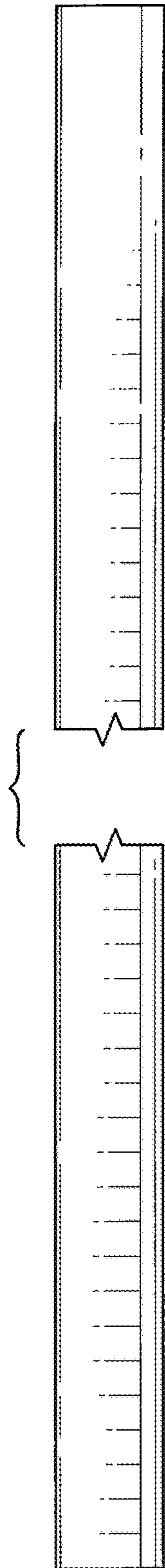


FIG. 7

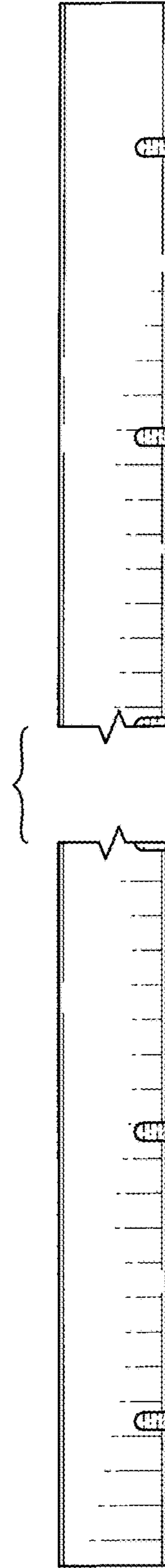


FIG. 8

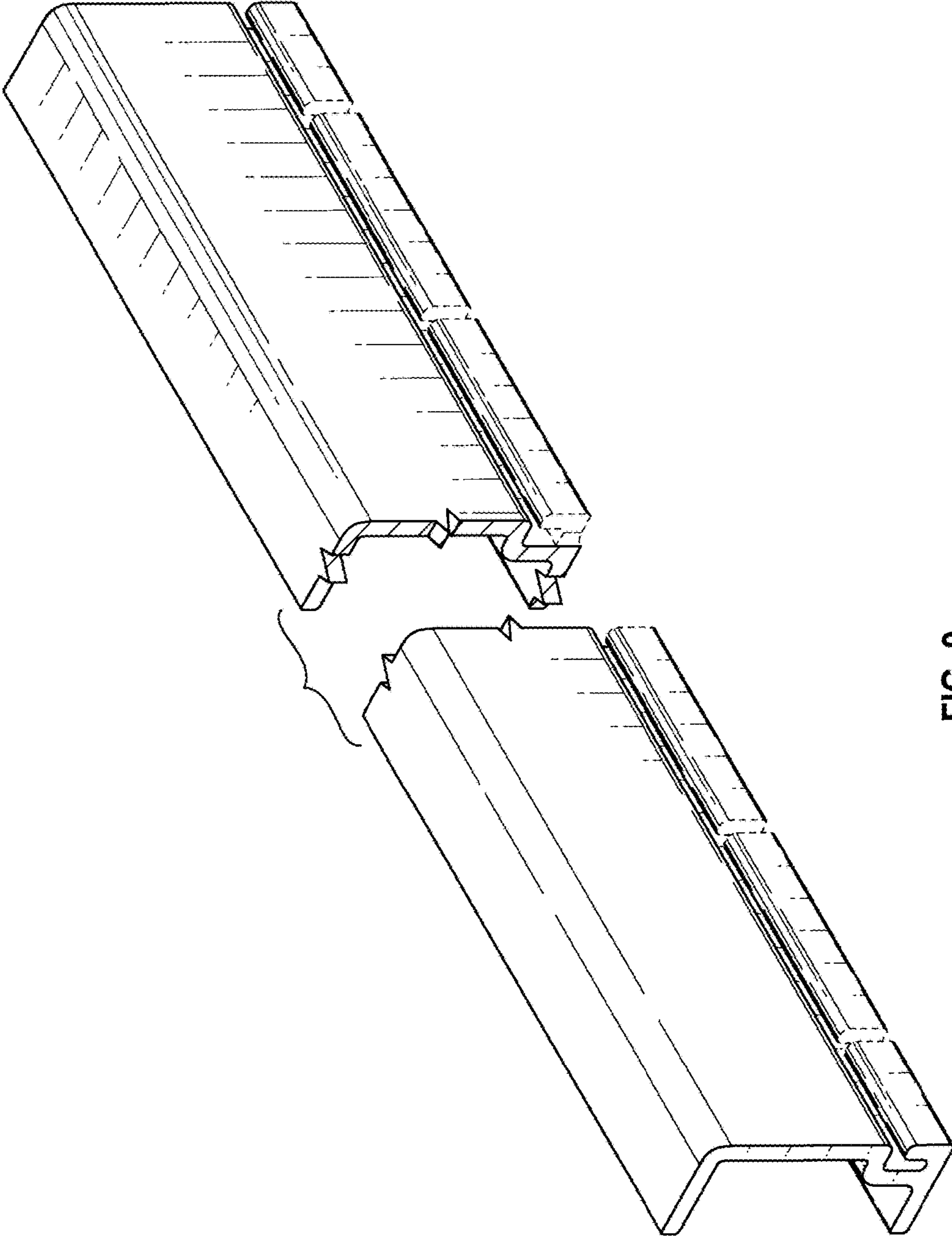


FIG. 9

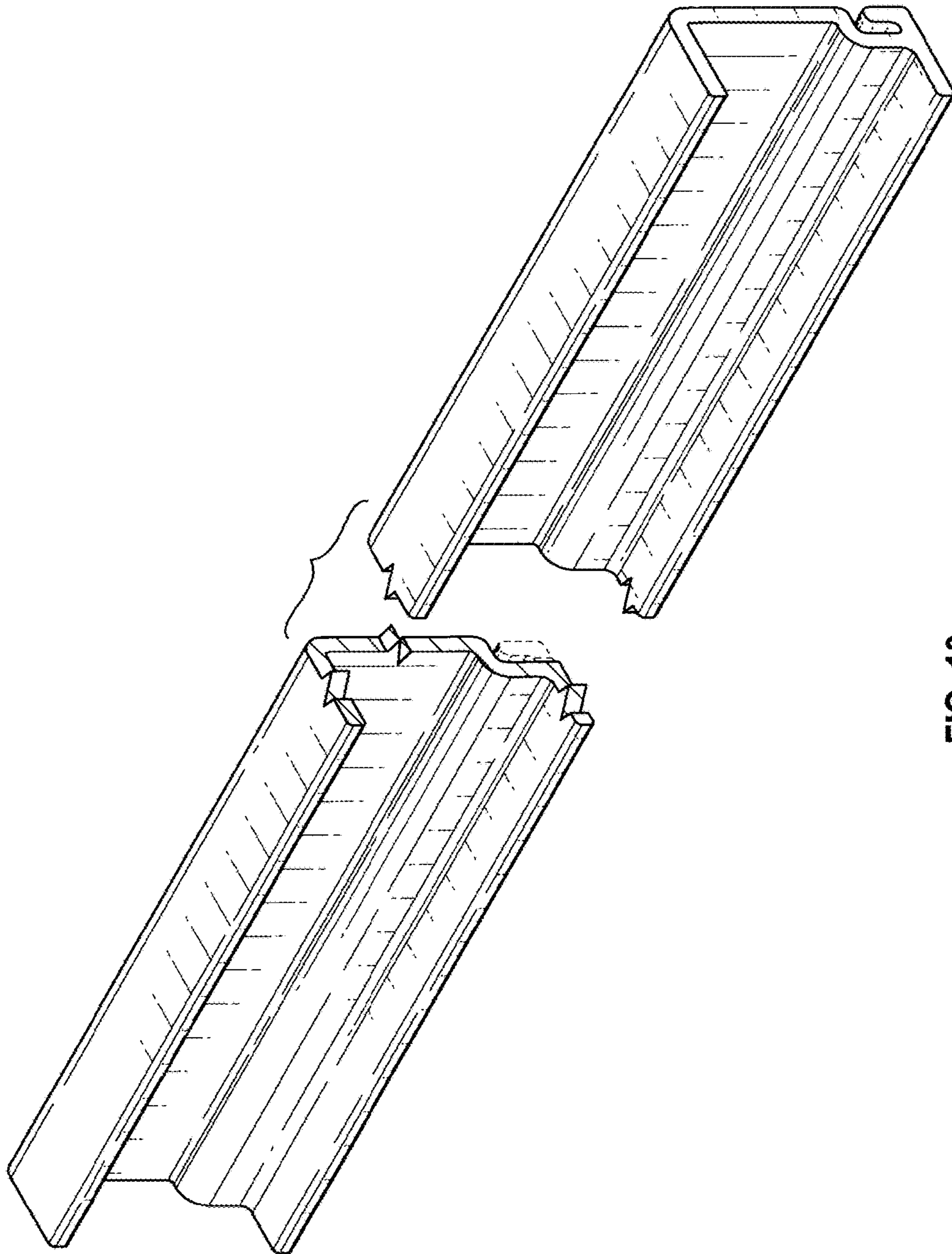


FIG. 10

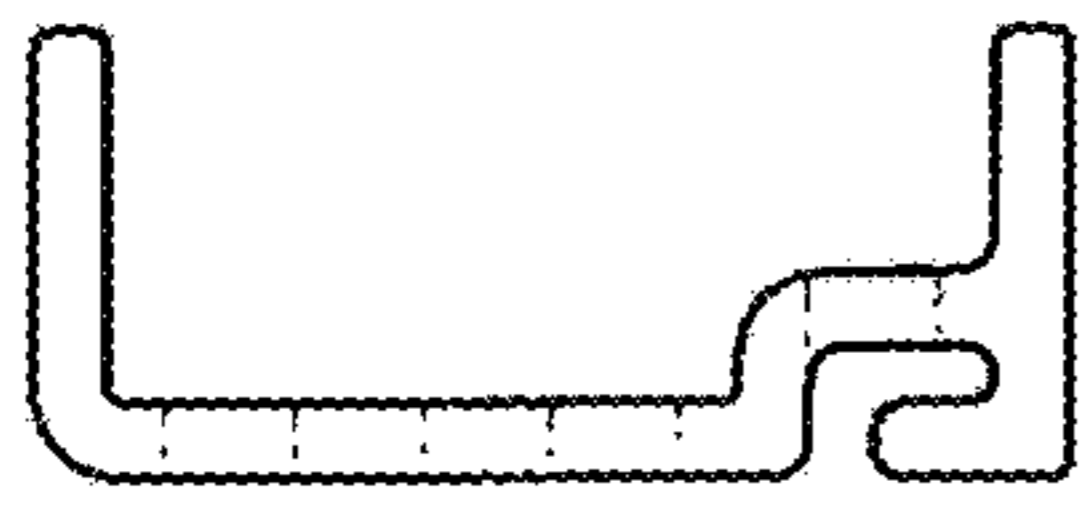


FIG. 11

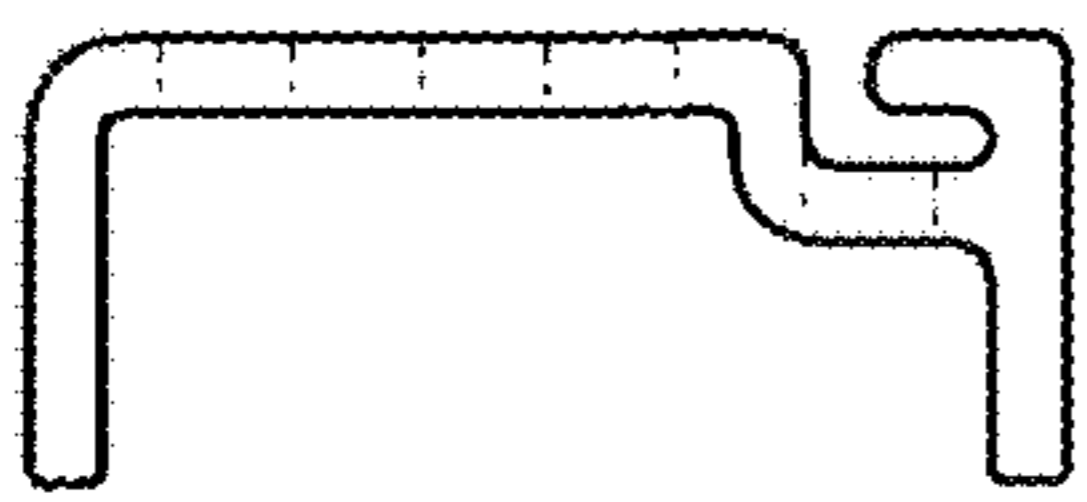


FIG. 12

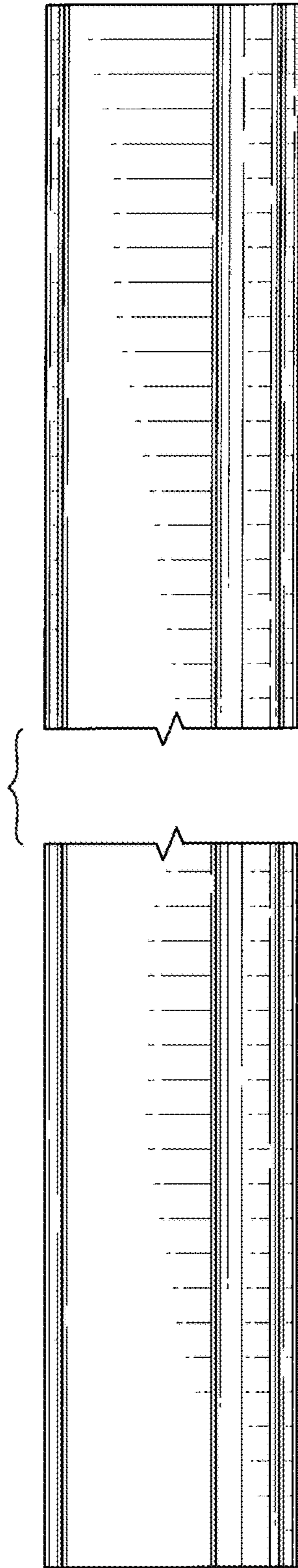


FIG. 13

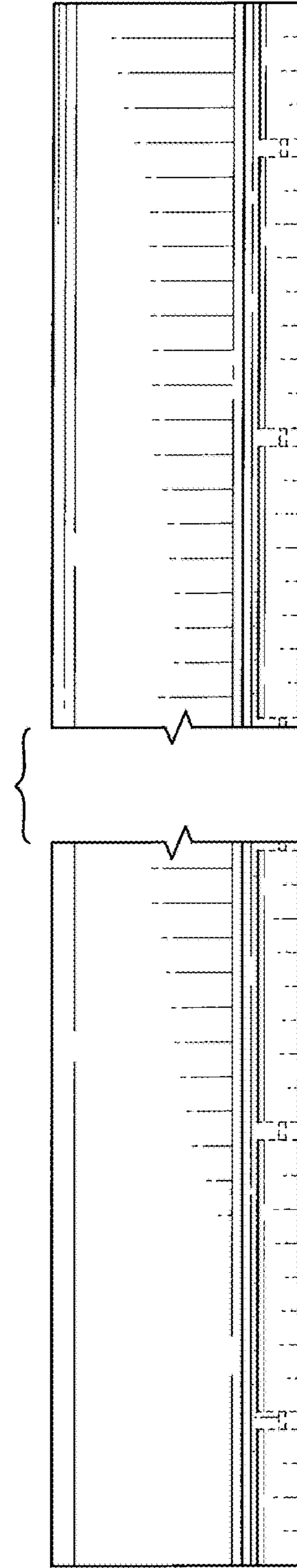


FIG. 14

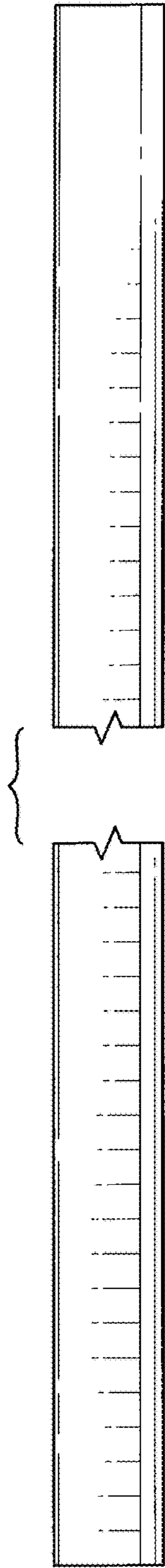


FIG. 15

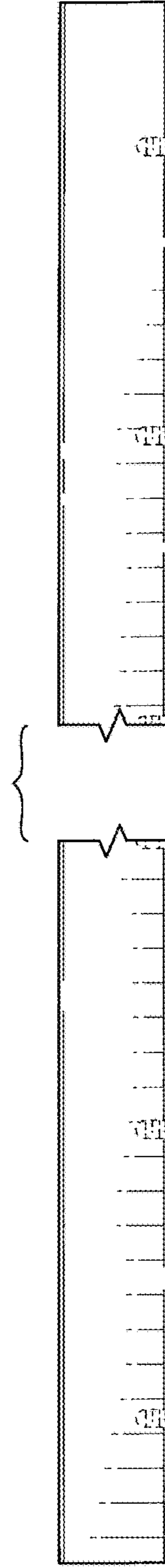


FIG. 16