

US00D843599S

(12) **United States Design Patent**
Bates-Hurtado

(10) **Patent No.:** **US D843,599 S**
(45) **Date of Patent:** **** Mar. 19, 2019**

- (54) **REFRIGERATOR GASKET WITH MAGNETIC SEALING ELEMENT**
- (71) Applicant: **CRISER, S.A. DE C.V.**, Guadalupe (MX)
- (72) Inventor: **Francisco Bates-Hurtado**, Guadalupe (MX)
- (73) Assignee: **CRISER, S.A. DE C.V.**, Nuevo Leon (MX)
- (**) Term: **15 Years**
- (21) Appl. No.: **29/608,173**
- (22) Filed: **Jun. 20, 2017**

6,227,634	B1 *	5/2001	Cittadini	F25D 23/087 277/630
6,526,698	B2 *	3/2003	Park	E05C 19/161 49/489.1
6,804,915	B2 *	10/2004	Holmqvist	F25D 23/087 49/490.1
7,080,485	B2 *	7/2006	Cittadini	E05C 19/161 49/478.1
8,104,228	B2 *	1/2012	Merla	F25D 23/087 49/475.1
8,240,091	B2 *	8/2012	Cittadini	F25D 23/087 49/495.1
8,490,333	B2 *	7/2013	Gholap	F25D 23/087 49/478.1
8,944,539	B2 *	2/2015	Ramm	F25D 23/087 312/296

(30) **Foreign Application Priority Data**

Dec. 20, 2016 (MX) MX/f/2016/004263

(51) **LOC (11) Cl.** **25-01**

(52) **U.S. Cl.**
USPC **D25/119**

(58) **Field of Classification Search**
USPC D25/119-125; D13/183, 184; D8/354;
12/405; 312/296; 49/489.1, 478.1;
D15/89, 90, 91
CPC F25D 23/082; F25D 23/087; E05C 19/161
See application file for complete search history.

(56) **References Cited**

U.S. PATENT DOCUMENTS

3,178,778	A *	4/1965	Reahard	F25D 23/087 277/645
5,606,828	A *	3/1997	Hall	E05C 19/161 49/478.1
5,614,052	A *	3/1997	Fisher	B29C 65/02 156/158

* cited by examiner

Primary Examiner — Lakiya G Rogers
Assistant Examiner — Harold E Blackwell, II
(74) *Attorney, Agent, or Firm* — Schlesinger, Arkwright & Garvey LLP

(57) **CLAIM**

The ornamental design for a refrigerator gasket with magnetic sealing element, as shown and described.

DESCRIPTION

FIG. 1 is an enlarged partial front perspective of a refrigerator gasket with magnetic sealing element embodying my new design;
FIG. 2 is an enlarged partial rear perspective thereof;
FIG. 3 is a front elevational view thereof;
FIG. 4 is a right side elevational view thereof;
FIG. 5 is a left side elevational view thereof;
FIG. 6 is a top plan view thereof; and,
FIG. 7 is a bottom plan view thereof.

1 Claim, 3 Drawing Sheets

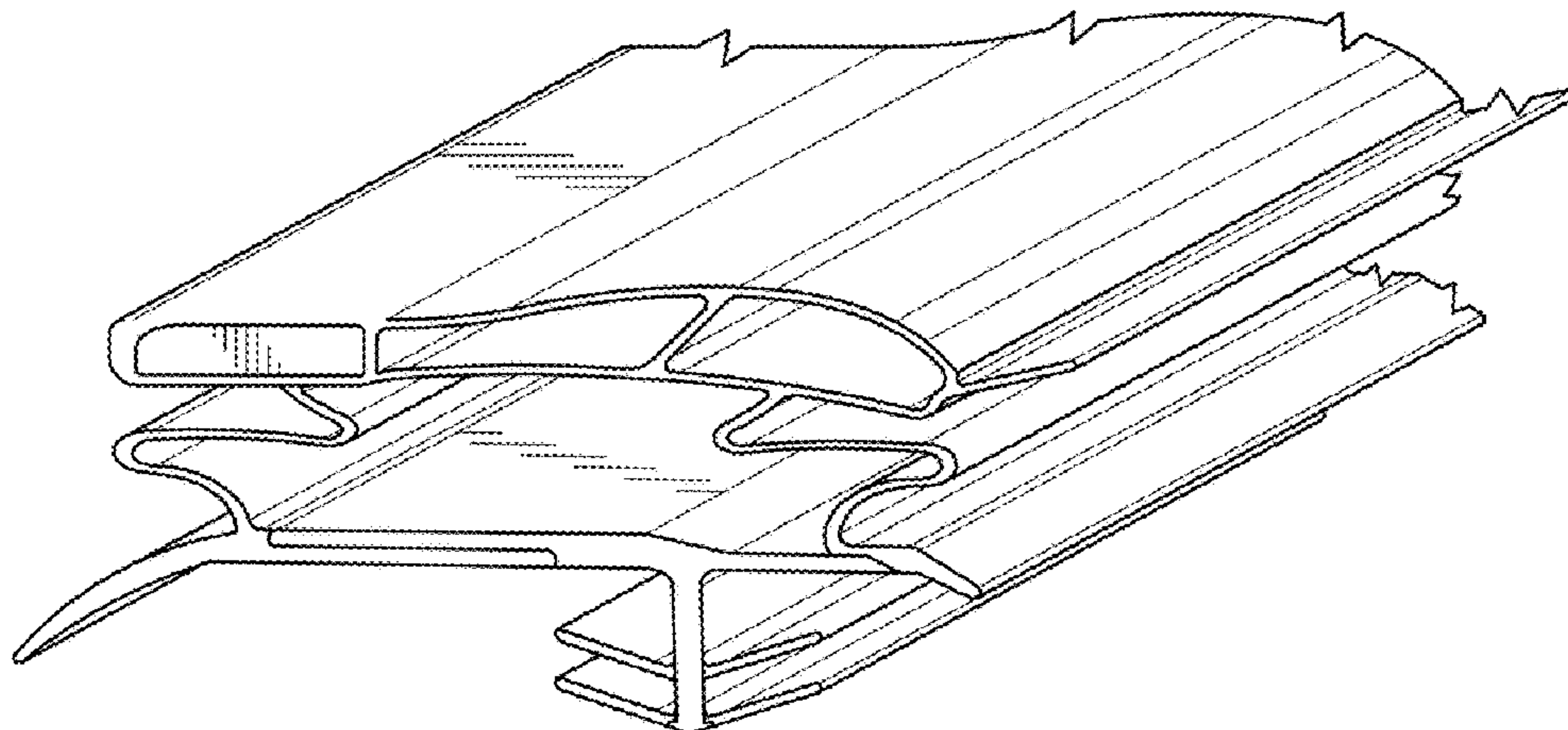


FIG. 1

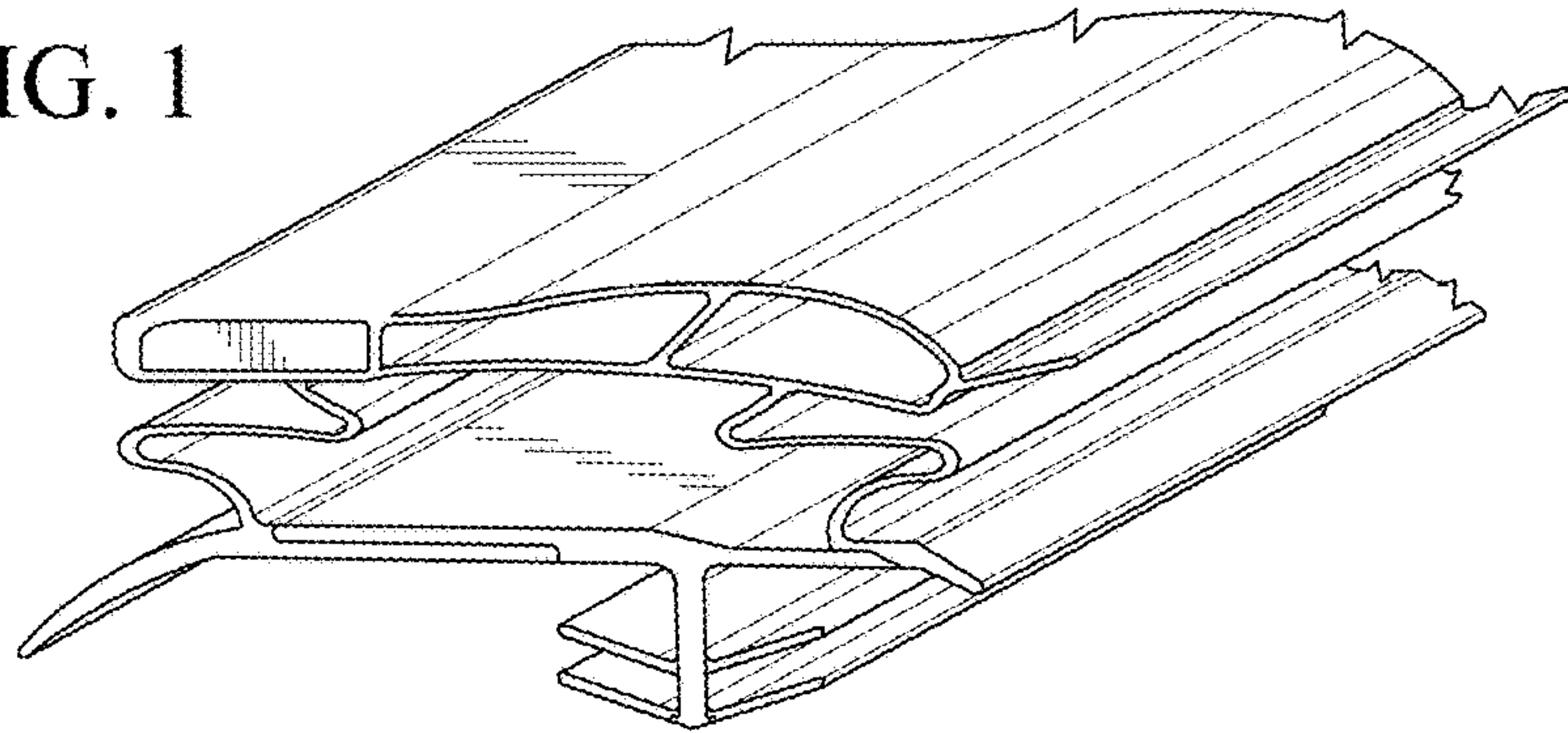


FIG. 2

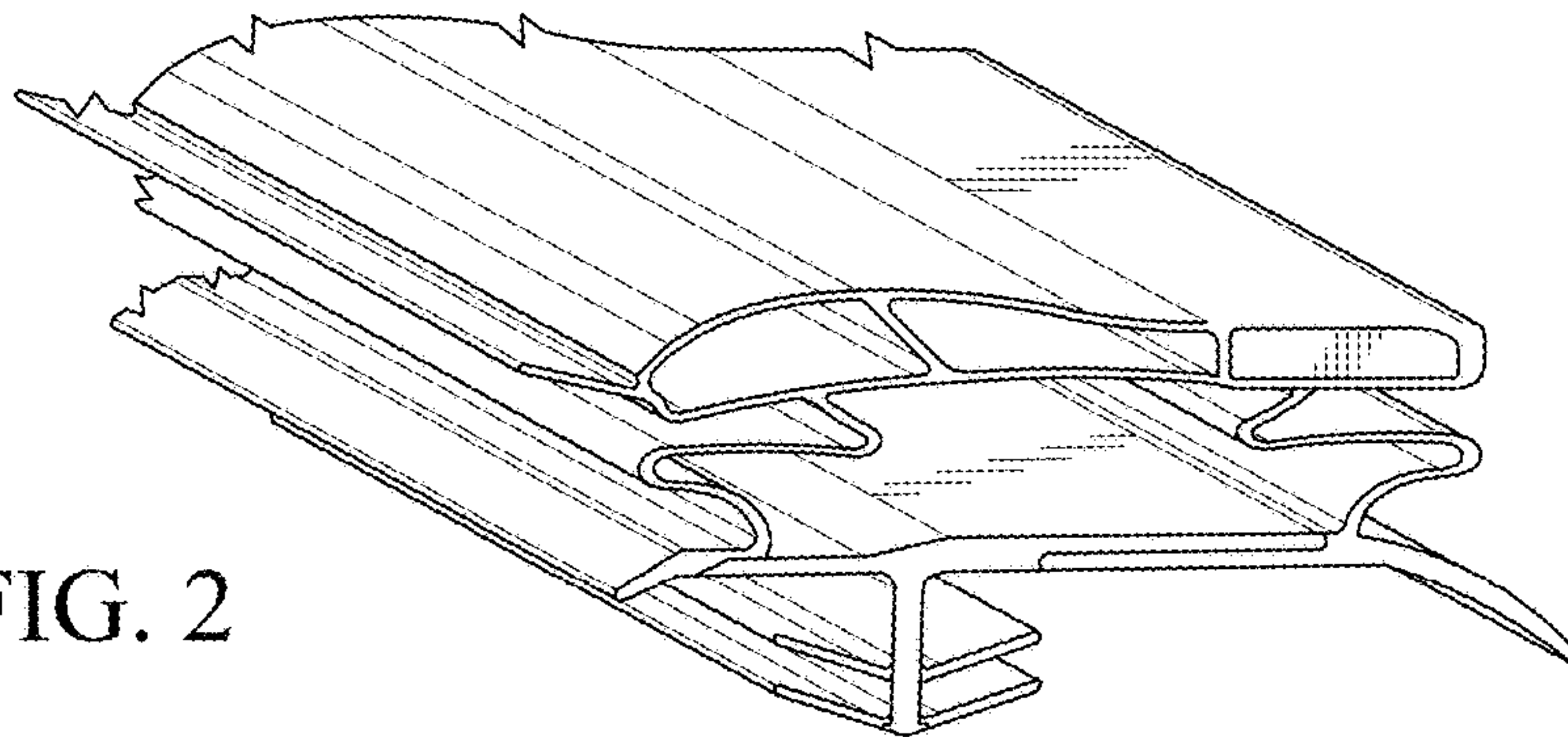
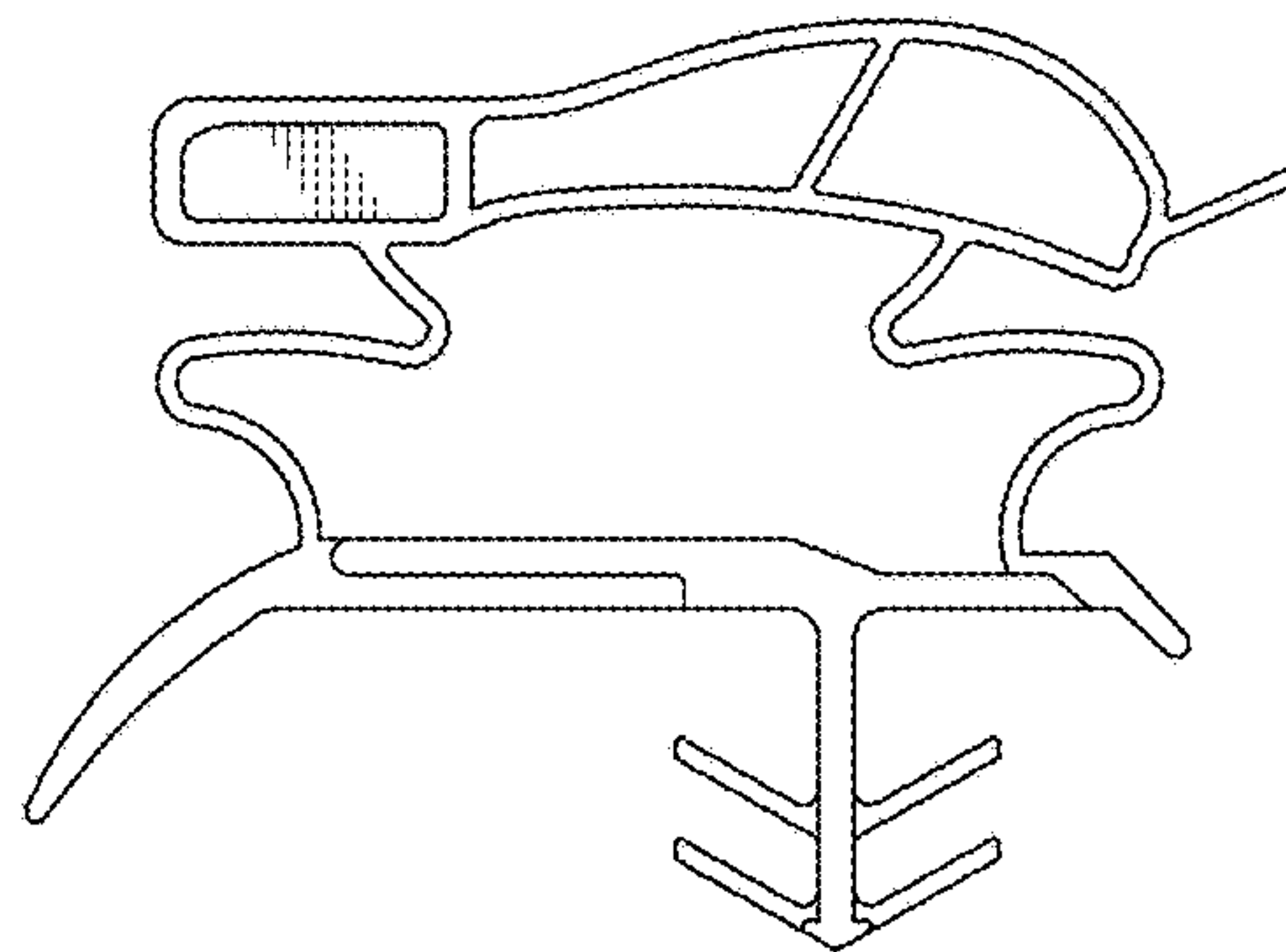


FIG. 3



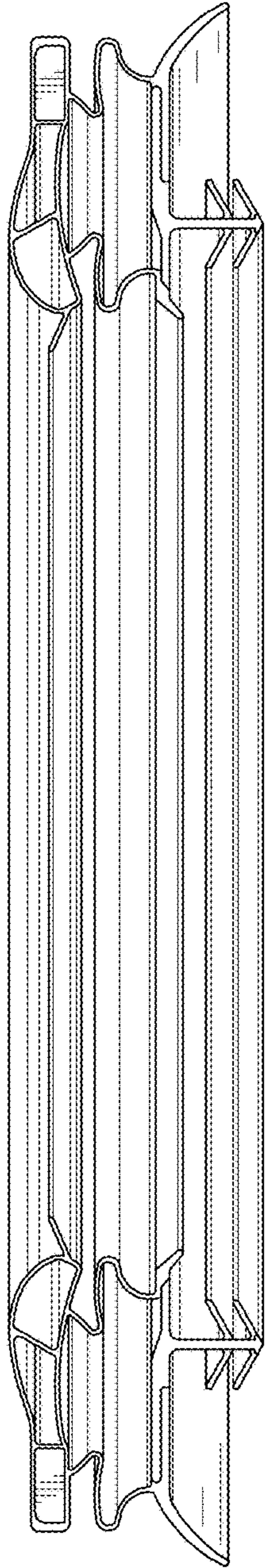


FIG. 4

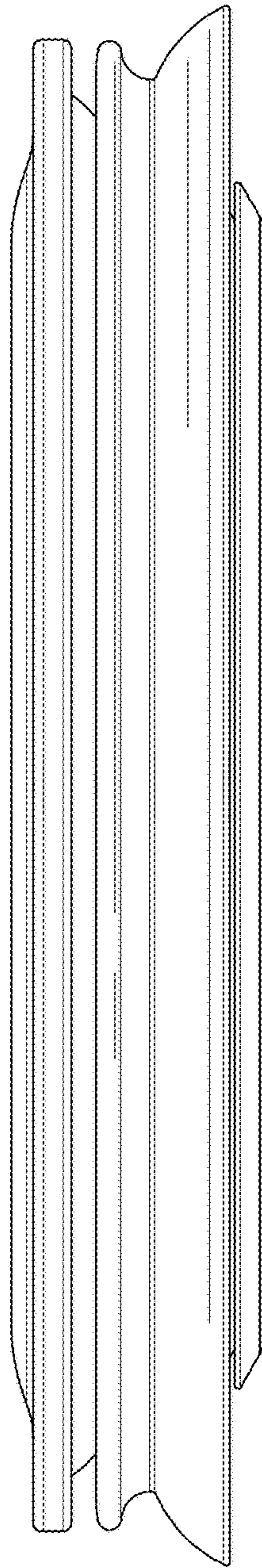


FIG. 5

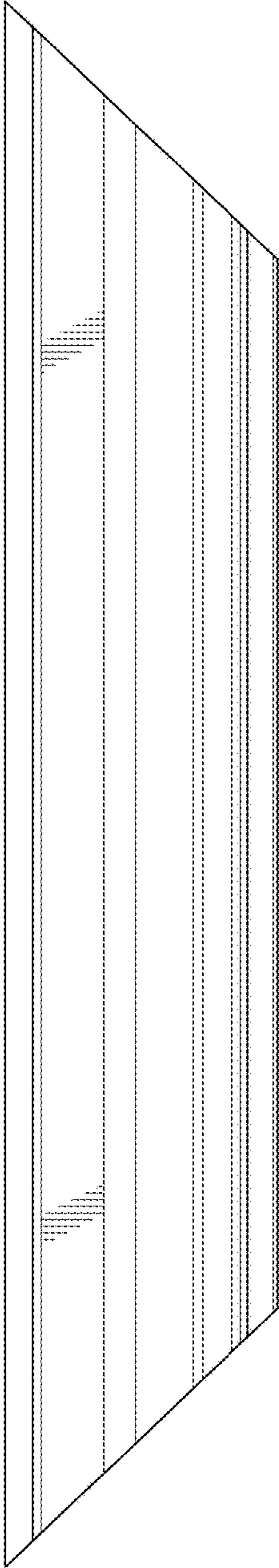


FIG. 6

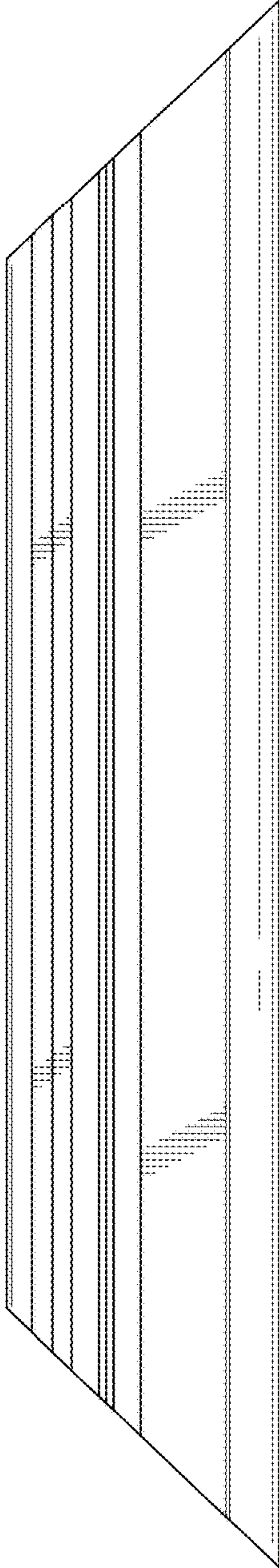


FIG. 7