



US00D843598S

(12) **United States Design Patent**
Chapman

(10) **Patent No.:** **US D843,598 S**
(45) **Date of Patent:** **** Mar. 19, 2019**

(54) **DOOR JAMB**

(71) Applicant: **GLOBAL PRODUCTS INTERNATIONAL GROUP, LLC**,
Atlanta, GA (US)

(72) Inventor: **Gabriel Paul Chapman**, Cumming,
GA (US)

(73) Assignee: **Global Products International Group, LLC**, Atlanta, GA (US)

(**) Term: **15 Years**

(21) Appl. No.: **29/612,610**

(22) Filed: **Aug. 2, 2017**

Related U.S. Application Data

(63) Continuation of application No. 29/564,760, filed on
May 16, 2016.

(51) **LOC (11) Cl.** **25-02**

(52) **U.S. Cl.**
USPC **D25/60; D25/124**

(58) **Field of Classification Search**
USPC D25/35, 38.1, 41.1, 47.1, 48.2, 48.3,
D25/48.4, 55, 119-137, 164, 199;
D8/349, 353, 354, 355, 363, 373, 376,
D8/380, 381, 382, 403; D6/324, 327,
D6/648.1, 653.11, 654.11, 702, 712,
D6/718.12, 512, 554, 556

CPC ... E04C 3/00; E04C 3/005; E04C 3/02; E04C
3/04; E04C 3/12; E04C 3/20; E04C 3/28;
E04C 3/30; E06B 1/00; E06B 1/006;
E06B 1/02; E06B 1/04; E06B 1/045;
E06B 1/06; E06B 1/12; E06B 1/16; E06B
1/26; E06B 1/30; E06B 1/32; E06B
1/325; E06B 1/34; E06B 1/342; E06B
1/345; E06B 1/347; E06B 1/36; E06B
1/363; E06B 1/366; E06B 1/38; E06B
1/40; E06B 1/52; E06B 1/522; E06B
1/524; E06B 1/526; E06B 1/528; E06B
1/56; E06B 1/60; E06B 1/6092; E06B

1/62; E06B 1/70; E06B 1/702; E06B
1/705; E06B 1/707; E04F 2019/0404;
E04F 2019/0413; E04F 2019/0422; E04F
2019/0454; E04F 19/02; E04F 19/022;
E04F 19/026; E04F 19/028; E04F 19/04;
E04F 19/0436; E04F 19/0481; E04F
19/0486; E04F 19/06; E04F 19/061; E04F
19/064; E04B 2001/2436; E04B
2001/2439;

(Continued)

(56) **References Cited**

U.S. PATENT DOCUMENTS

4,310,991 A * 1/1982 Seely E06B 1/70
49/470
D376,213 S * 12/1996 Macri D25/124

(Continued)

Primary Examiner — Cynthia Ramirez

Assistant Examiner — L. Martinez

(74) *Attorney, Agent, or Firm* — Thomas | Horstemeyer,
LLP

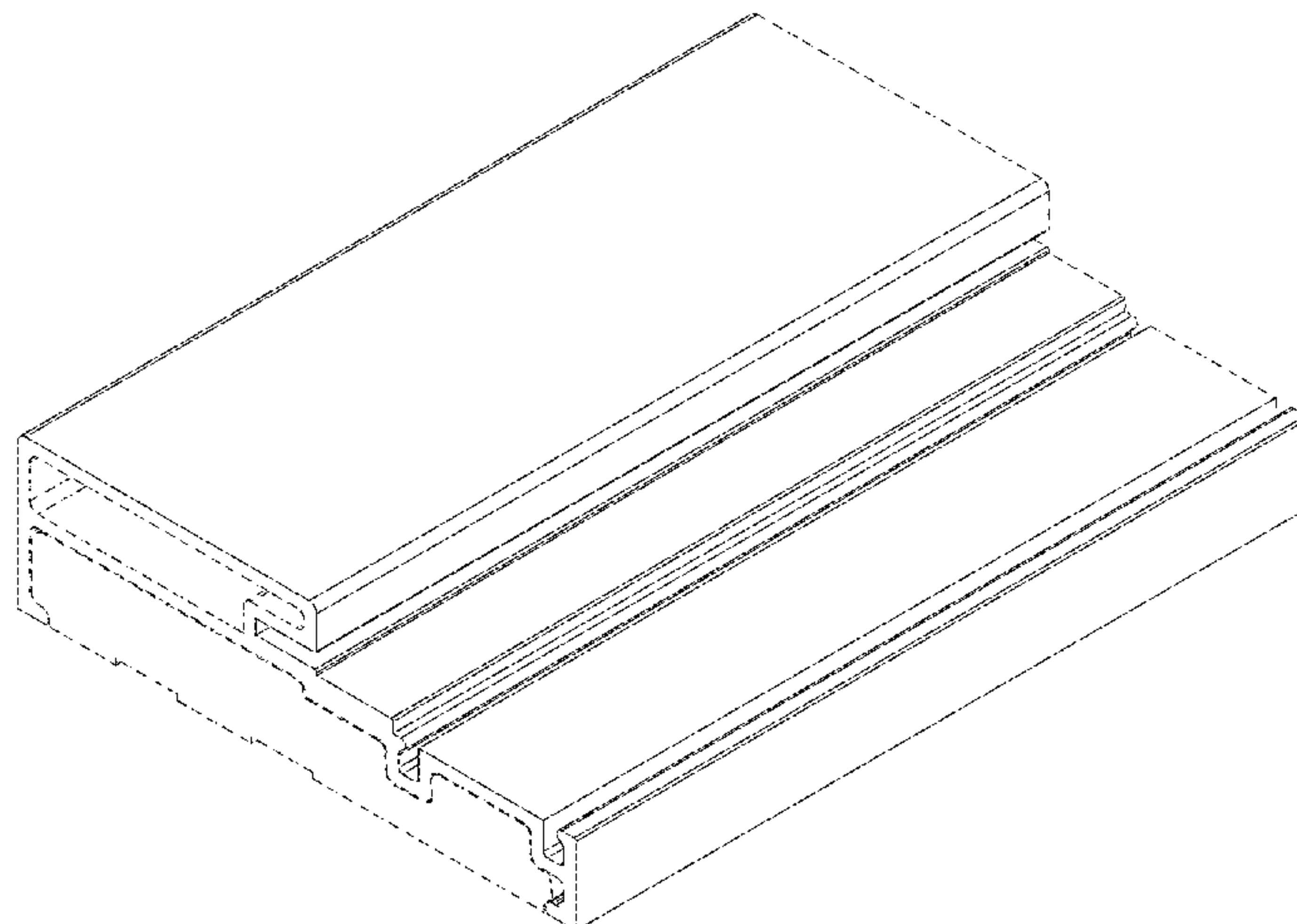
(57) **CLAIM**

The ornamental design for a door jamb, as shown and
described.

DESCRIPTION

FIG. 1 is a front top perspective view of a door jamb
showing my new design;
FIG. 2 is a rear bottom perspective view thereof;
FIG. 3 is a top plan view thereof;
FIG. 4 is a bottom plan view thereof;
FIG. 5 is a first side view thereof;
FIG. 6 is a second side view thereof;
FIG. 7 is a front elevation view thereof; and,
FIG. 8 is a rear elevation view thereof.
The broken lines shown in FIGS. 1 through 8 illustrate
portions of the door jamb that form no part of the claimed
design.

1 Claim, 7 Drawing Sheets



(58) **Field of Classification Search**

CPC E04B 2001/2442; E04B 2001/2445; E04B
 2001/2448; E04B 2001/2451; E04B
 2001/2454; E04B 2001/2457; E04B
 2001/246; E04B 2001/2463; E04B 2/00;
 E04B 2/74; E04B 2/76; E04B 2/761;
 E04B 2/762; E04B 2/763; E04B 2/764;
 E04B 2/765; E04B 2/7854; E04B 2/7863;
 E04B 2/7872; E04B 2/7881; E04B 2/789;
 E04D 13/076; E04D 13/0767

See application file for complete search history.

(56)

References Cited

U.S. PATENT DOCUMENTS

5,836,118 A * 11/1998 Thornton E06B 1/34
 52/211

5,987,843 A * 11/1999 Canfield E06B 1/34
 52/211
 6,289,635 B1 * 9/2001 Procton E06B 1/70
 49/467
 6,295,779 B1 * 10/2001 Canfield E06B 1/34
 52/211
 D469,884 S * 2/2003 Franson D25/119
 D485,621 S * 1/2004 Deel D25/119
 D486,590 S * 2/2004 Knapp D25/119
 D489,465 S * 5/2004 Allsopp D25/119
 D504,959 S * 5/2005 Cole D25/119
 D537,534 S * 2/2007 Cole D25/119
 D587,818 S * 3/2009 Schrader D25/119
 D640,801 S * 6/2011 Wickland D25/119
 D652,532 S * 1/2012 Letham D25/123
 D718,884 S * 12/2014 Thrush D25/125
 9,187,945 B2 * 11/2015 Back E06B 1/32
 D766,458 S * 9/2016 Chapman D25/48.2
 D788,947 S * 6/2017 Gilkey D25/125

* cited by examiner

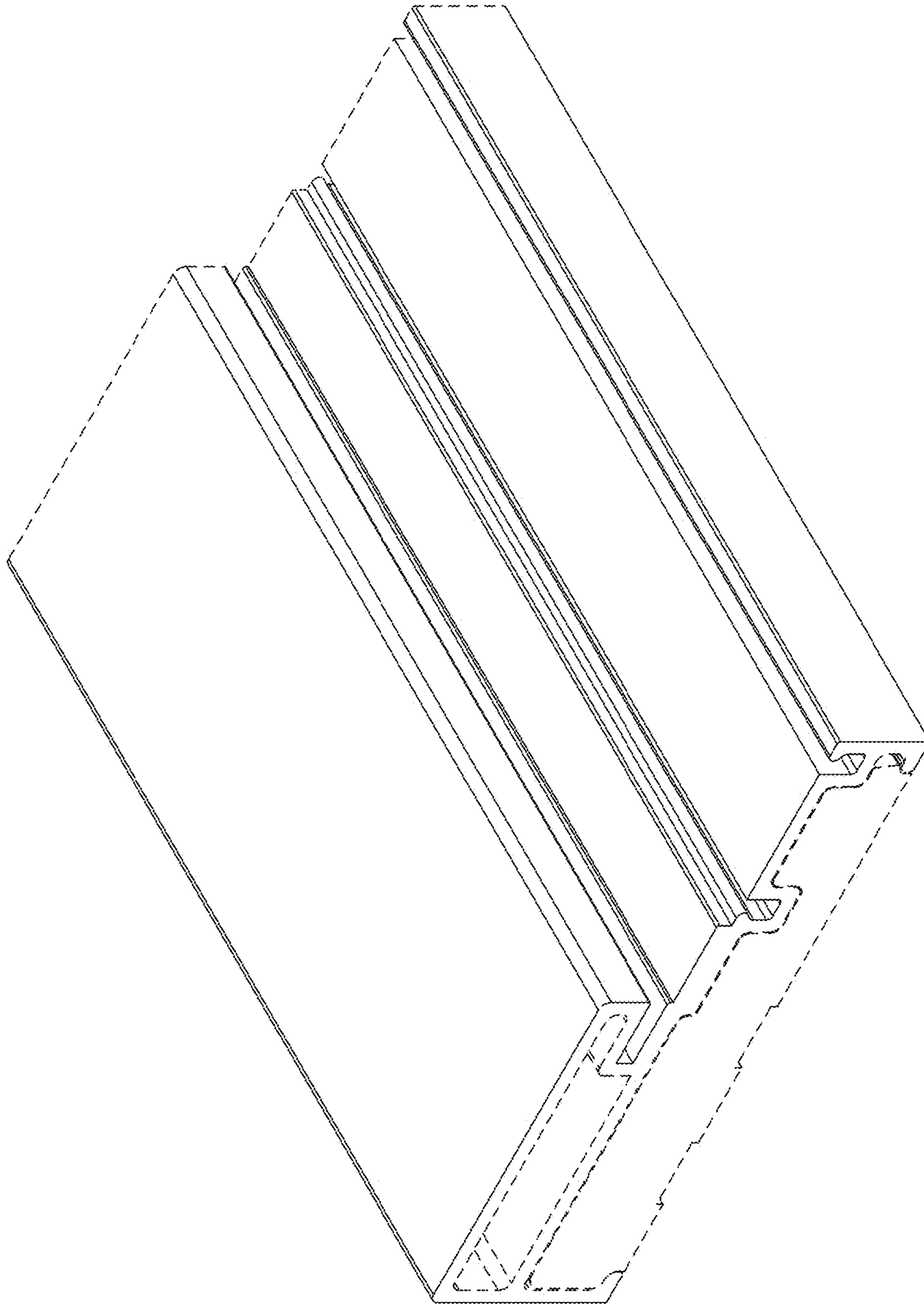


FIG. 1

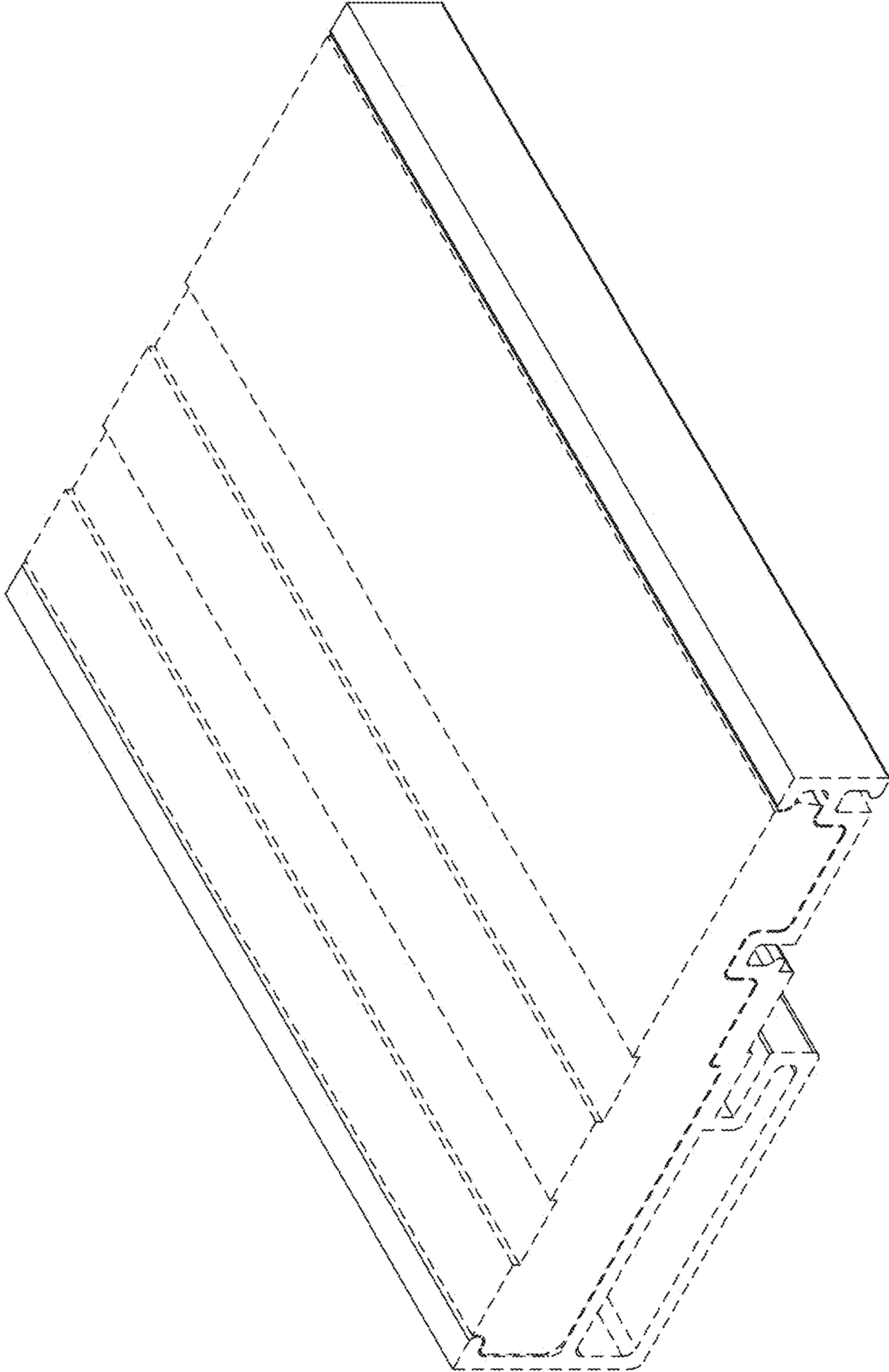


FIG. 2

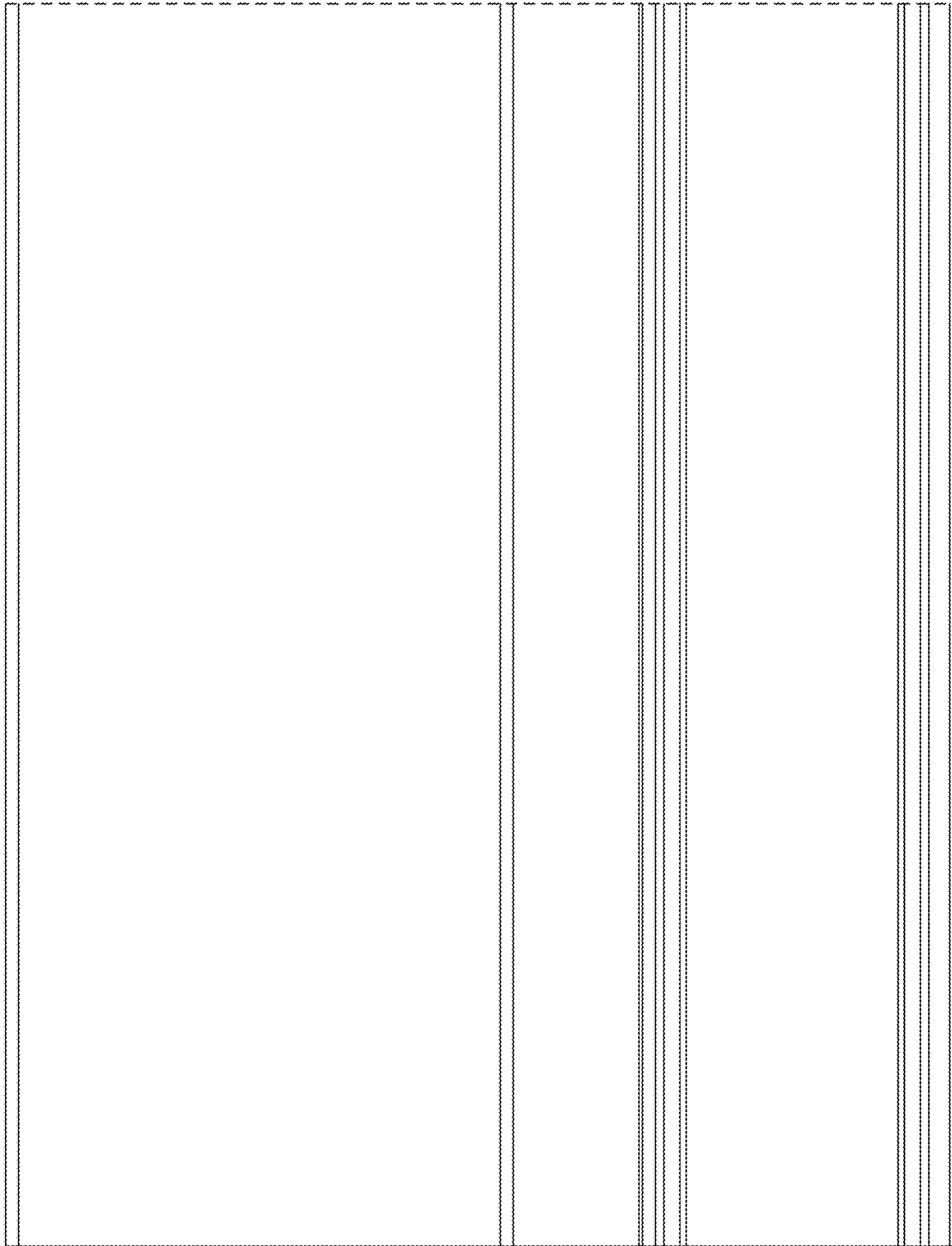


FIG. 3

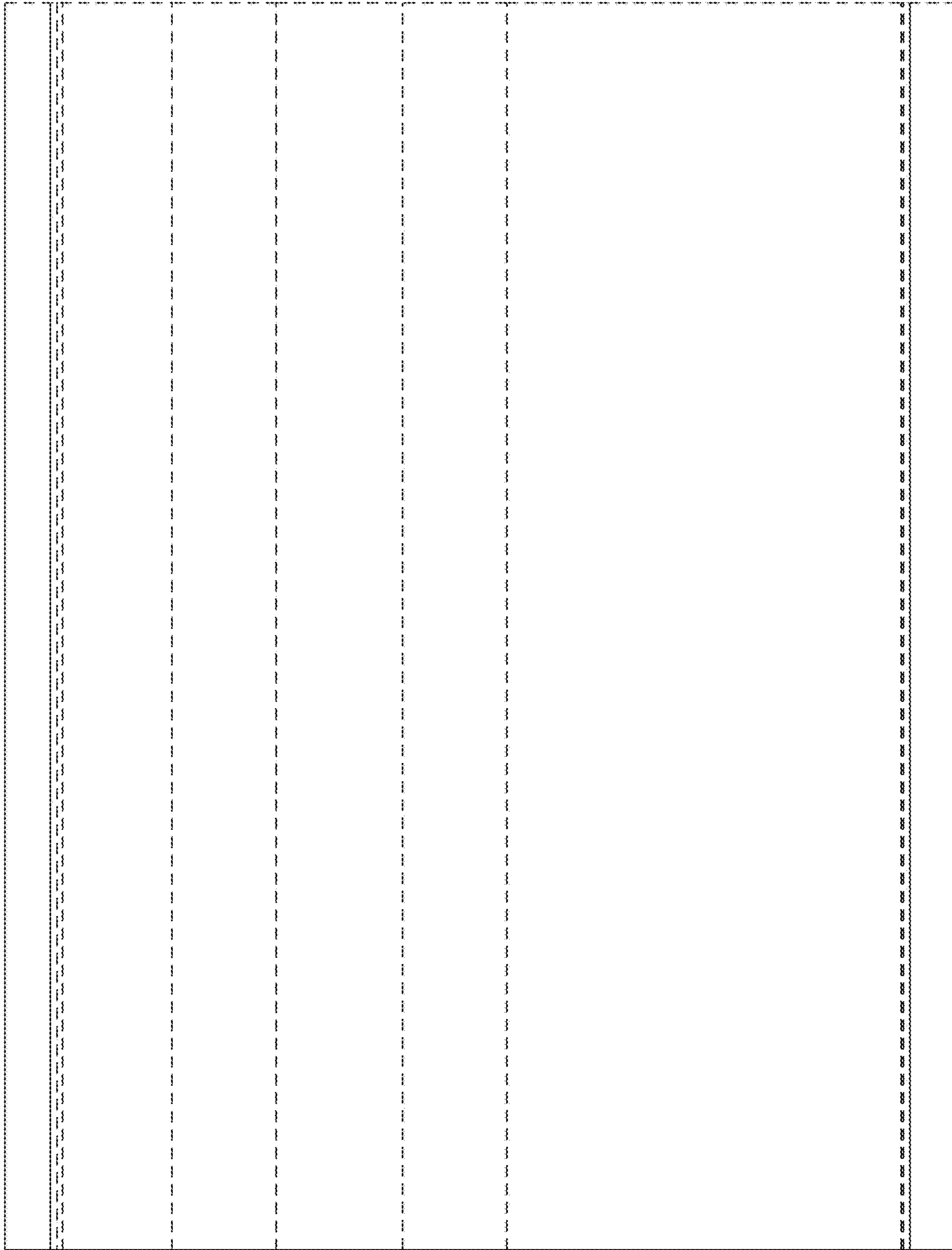


FIG. 4

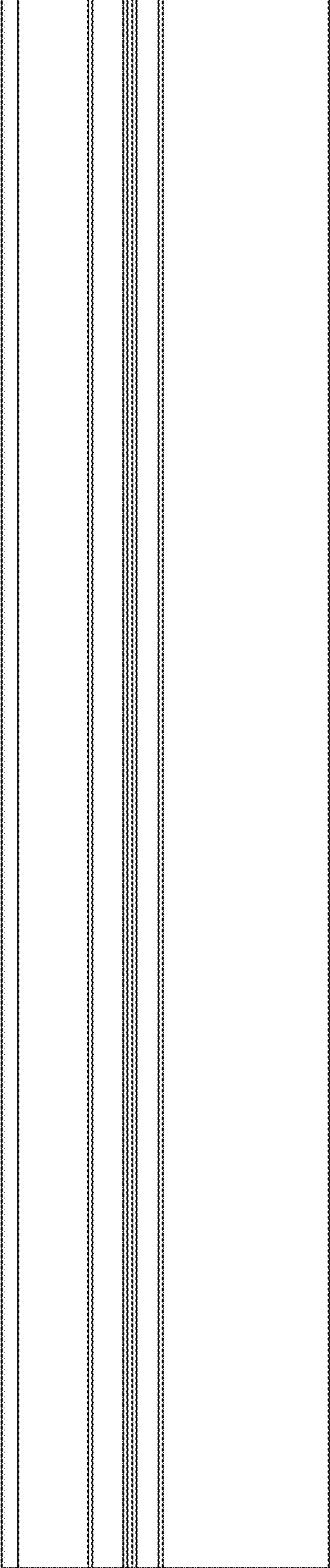


FIG. 5

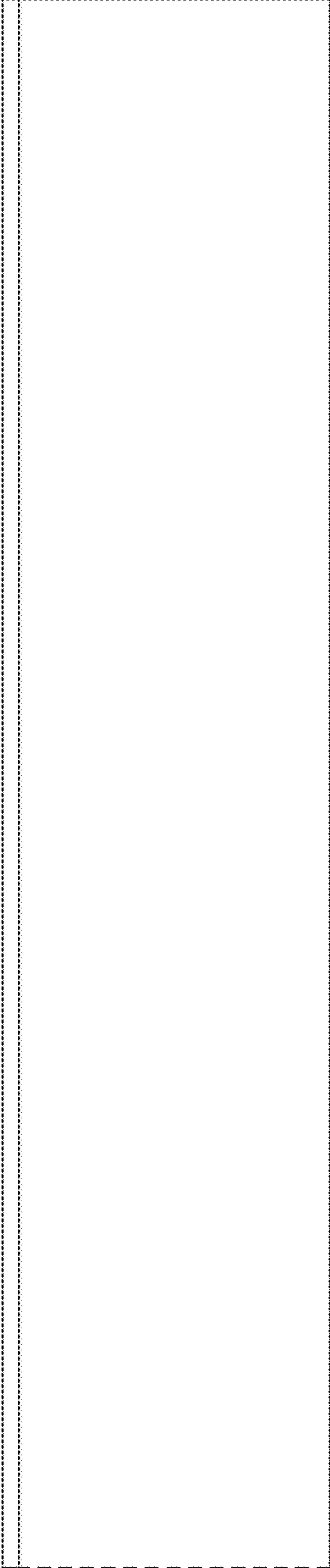


FIG. 6

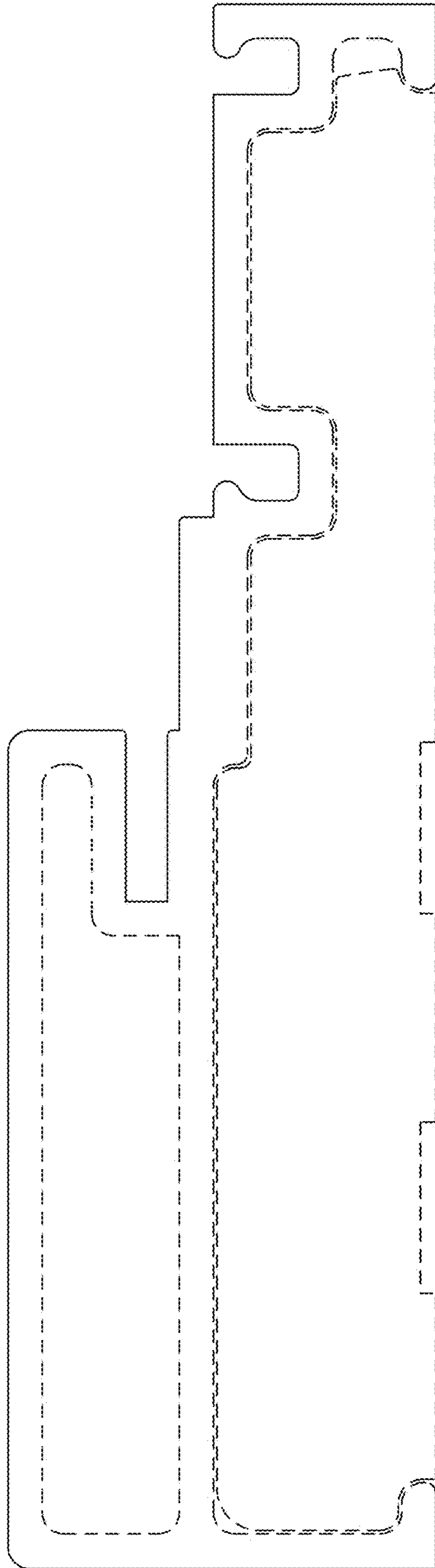


FIG. 7

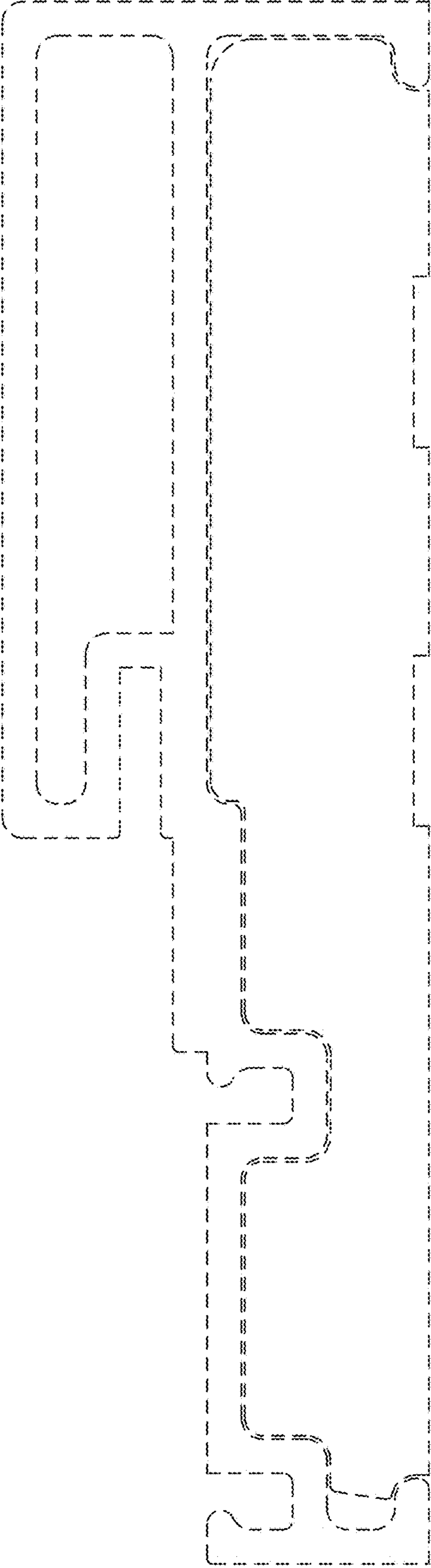


FIG. 8