



US00D843595S

(12) **United States Design Patent**
Harmon et al.

(10) **Patent No.:** **US D843,595 S**

(45) **Date of Patent:** **** Mar. 19, 2019**

(54) **WELL DISH**

(71) Applicant: **Mark L. Anderson**, Spring Valley, WI
(US)

(72) Inventors: **John Harmon**, Eau Galle, WI (US);
Terry Arver, Menomonie, WI (US)

(73) Assignee: **Mark L. Anderson**, Spring Valley, WI
(US)

(**) Term: **15 Years**

(21) Appl. No.: **29/576,612**

(22) Filed: **Sep. 6, 2016**

(51) **LOC (11) Cl.** **24-02**

(52) **U.S. Cl.**
USPC **D24/230**

(58) **Field of Classification Search**
USPC D24/230, 223, 224, 226, 227, 229, 216,
D24/217, 222; 422/552, 553, 551;
435/288.4, 305.1, 305.2
CPC . G01N 35/02; B65D 1/34; B65D 1/36; B65D
1/00; A61J 1/06; A61J 1/062; A61J 1/00
See application file for complete search history.

(56) **References Cited**

U.S. PATENT DOCUMENTS

D369,415 S *	4/1996	Boulton	D24/224
D420,743 S *	2/2000	Monks	D24/224
D464,734 S *	10/2002	Berna	D24/216
D469,544 S *	1/2003	Lafond	D24/224
6,558,631 B1 *	5/2003	Day	B01L 3/5085 206/538
D477,416 S *	7/2003	Roberts	D24/216
D639,447 S *	6/2011	Karpiloff	D24/230
D699,371 S *	2/2014	Williams	D24/230
D709,323 S *	7/2014	Brown	D7/213
D709,718 S *	7/2014	Snyder	D6/682.4

D724,196 S *	3/2015	Turner	D23/415
D808,540 S *	1/2018	Johns	D24/227
D812,243 S *	3/2018	Johns	D24/227
D825,775 S *	8/2018	Muller	D24/230
D826,426 S *	8/2018	Muller	D24/230

* cited by examiner

Primary Examiner — Susan Bennett Hattan

Assistant Examiner — Rebecca Tsehaye

(74) *Attorney, Agent, or Firm* — Skinner and Associates;
Joel Skinner

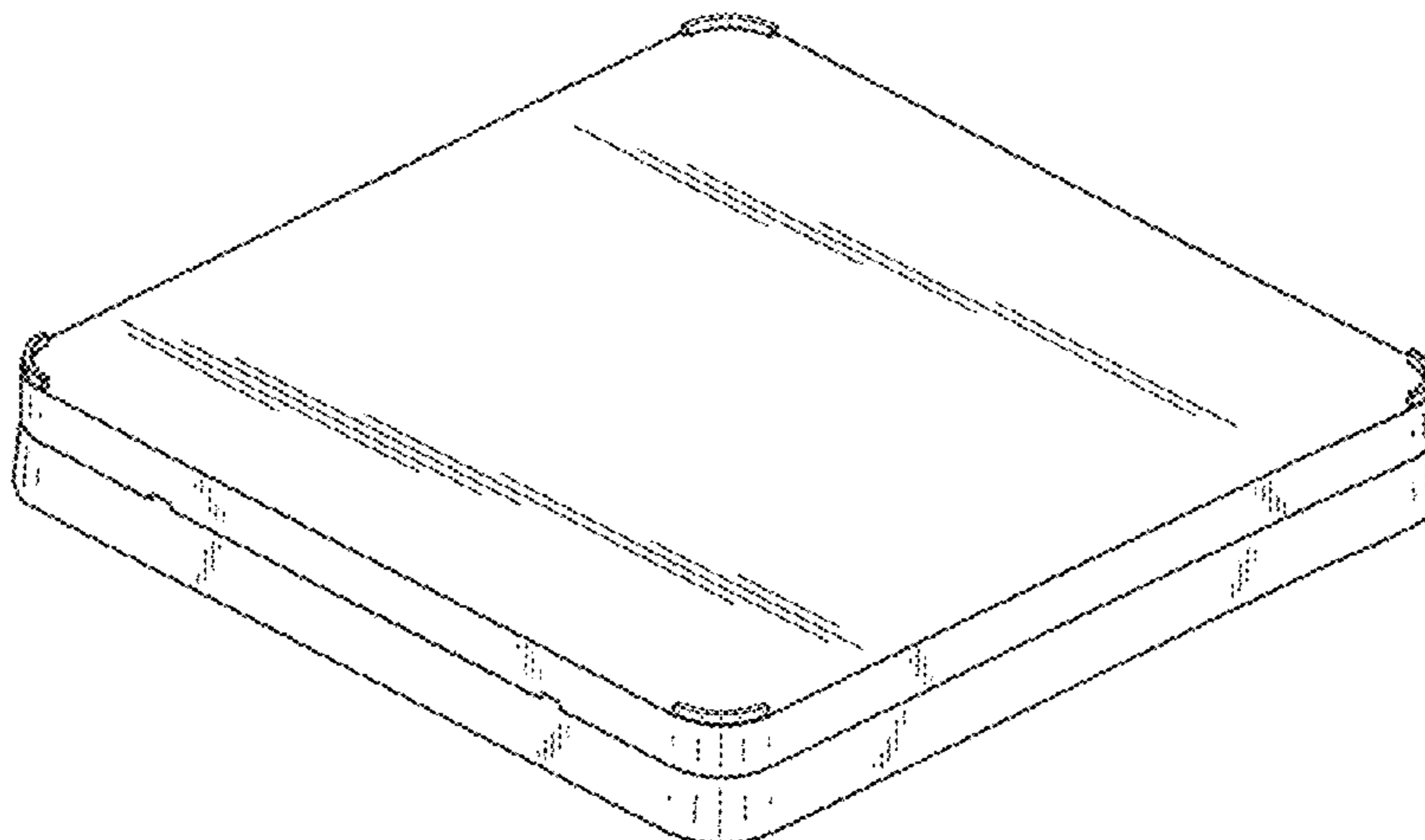
(57) **CLAIM**

The ornamental design for a well dish, as shown and described.

DESCRIPTION

FIG. 1 is a perspective view of a well dish showing our new design
 FIG. 2 is a second perspective view thereof.
 FIG. 3 is a side, elevation view thereof.
 FIG. 4 is a second side, elevation view thereof.
 FIG. 5 is a top view thereof.
 FIG. 6 is a bottom view thereof.
 FIG. 7 is a perspective view of a top of the well dish of FIGS. 1-6.
 FIG. 8 is second perspective view thereof.
 FIG. 9 is a side view thereof.
 FIG. 10 is a second side view thereof.
 FIG. 11 is a top view thereof.
 FIG. 12 is a bottom view thereof.
 FIG. 13 is a perspective view of a bottom of the well dish of FIGS. 1-6.
 FIG. 14 is a second perspective view thereof.
 FIG. 15 is a side view thereof.
 FIG. 16 is a second side view thereof.
 FIG. 17 is a top view thereof; and,
 FIG. 18 is a bottom view thereof.

1 Claim, 9 Drawing Sheets



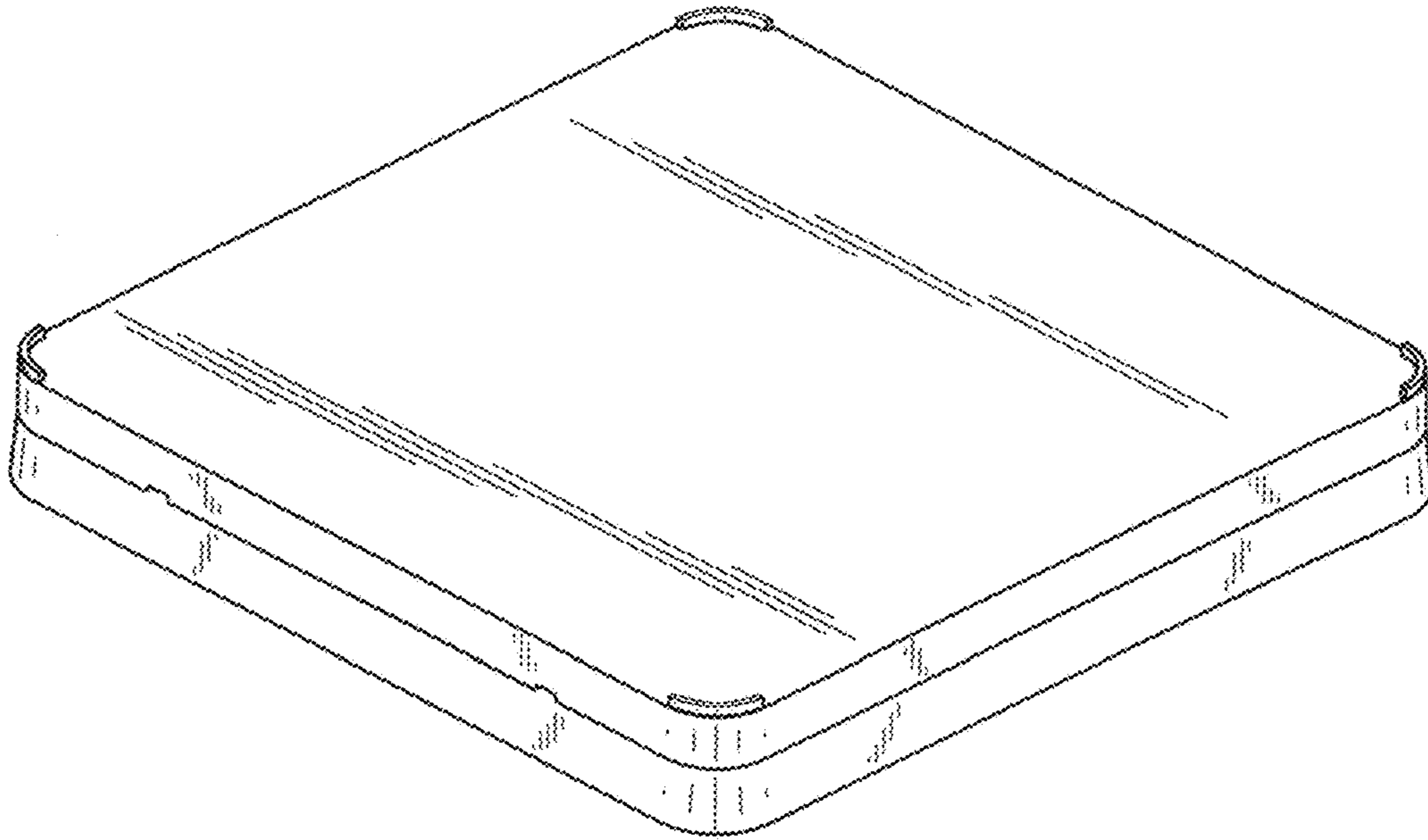


FIG. 1

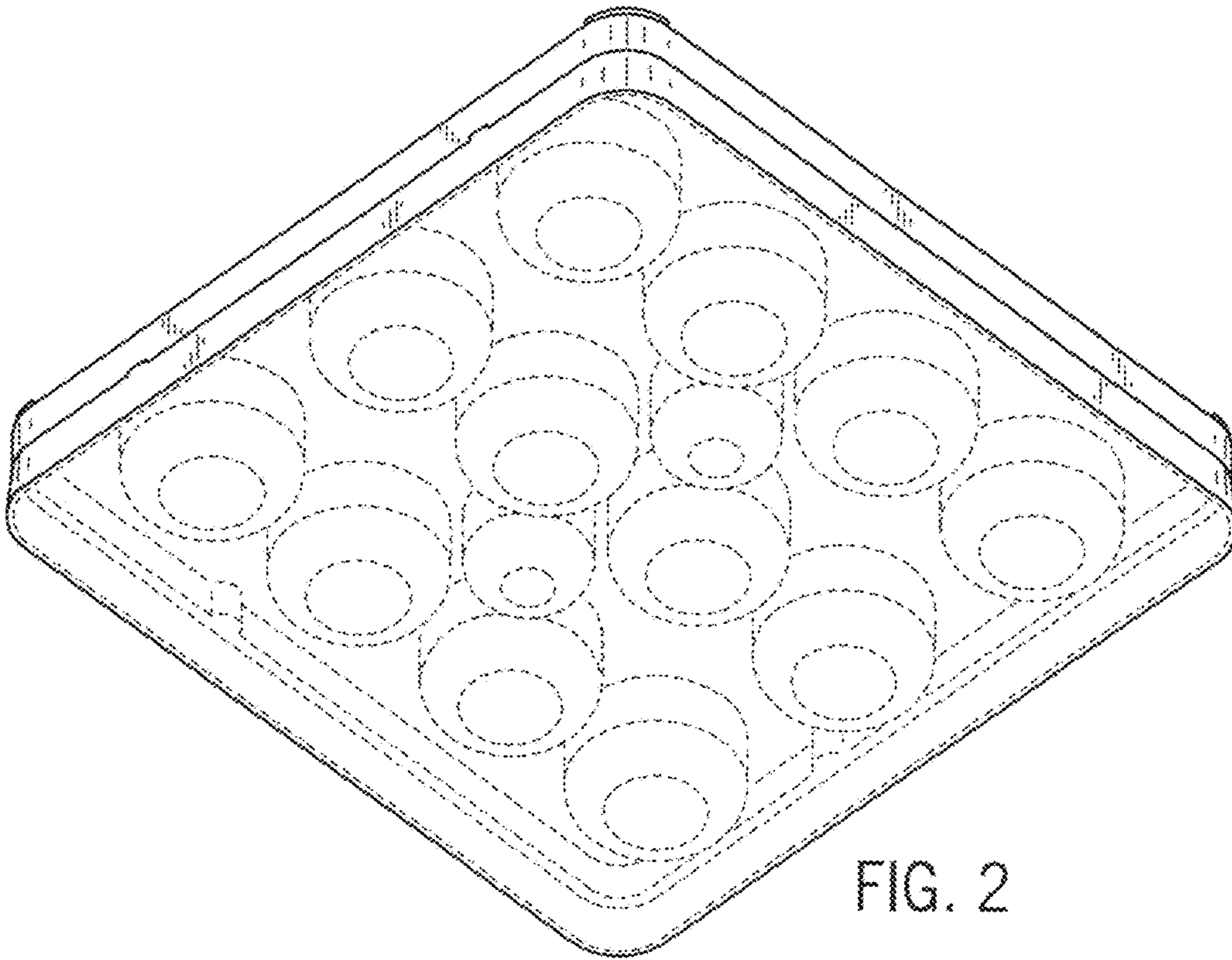


FIG. 2

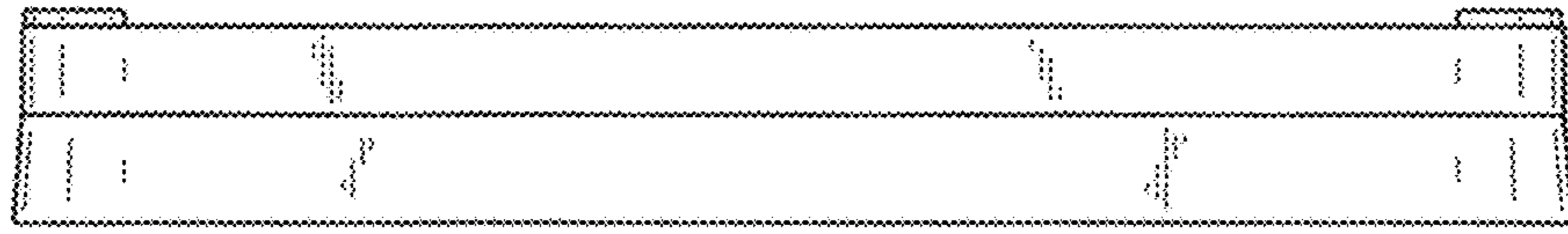


FIG. 3

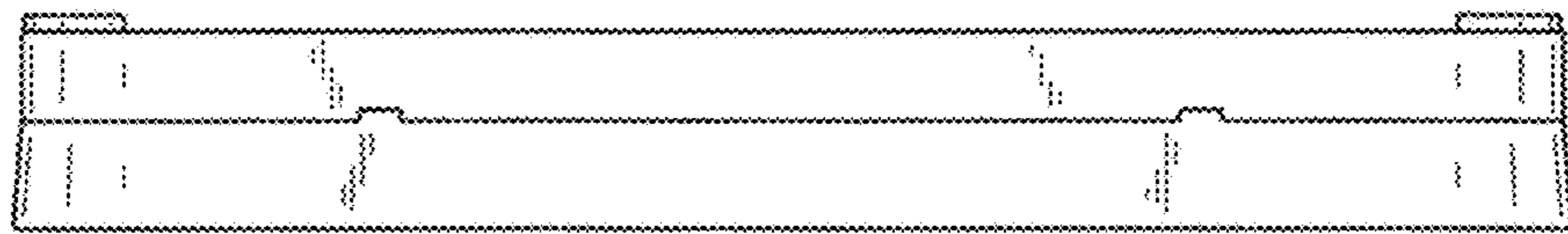


FIG. 4

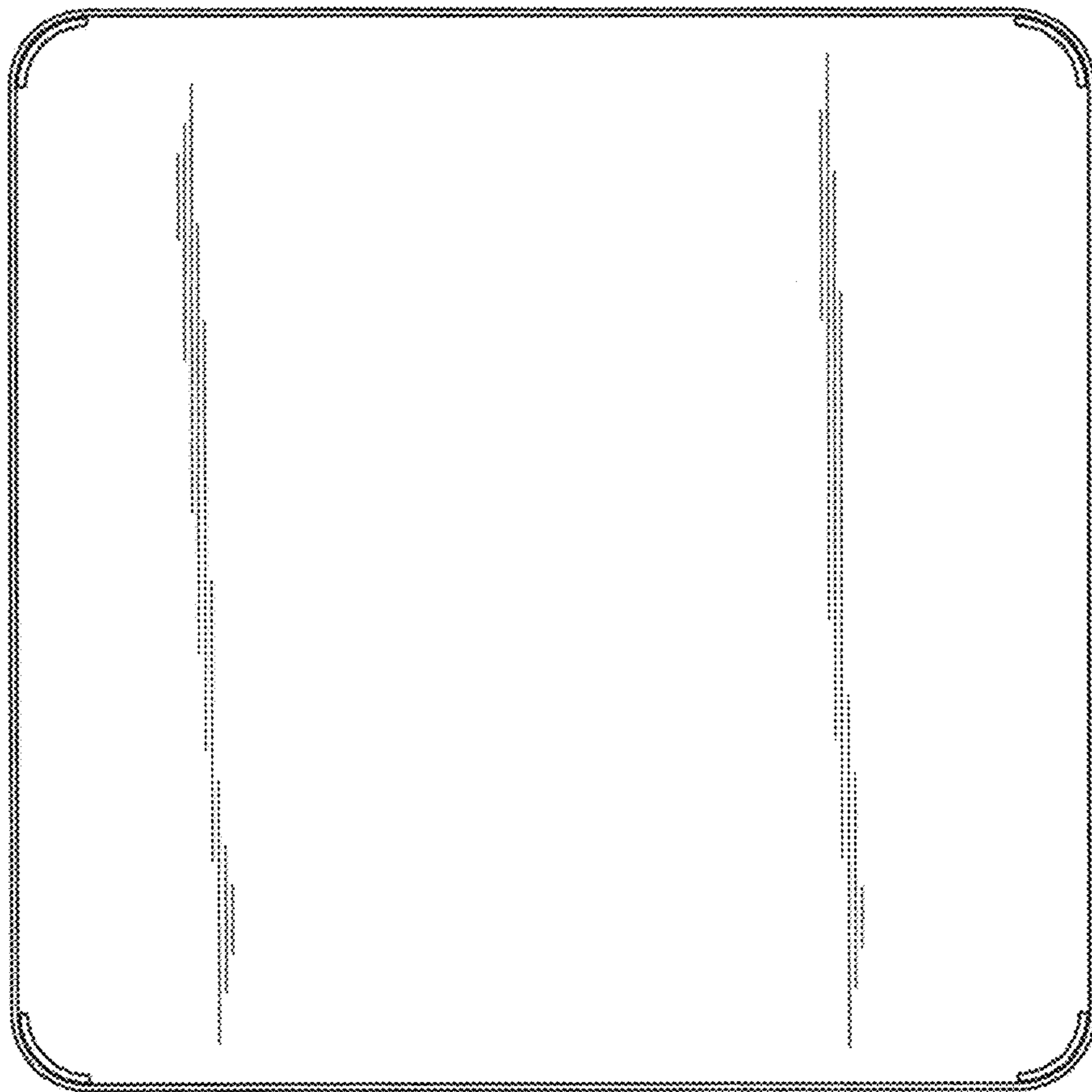


FIG. 5

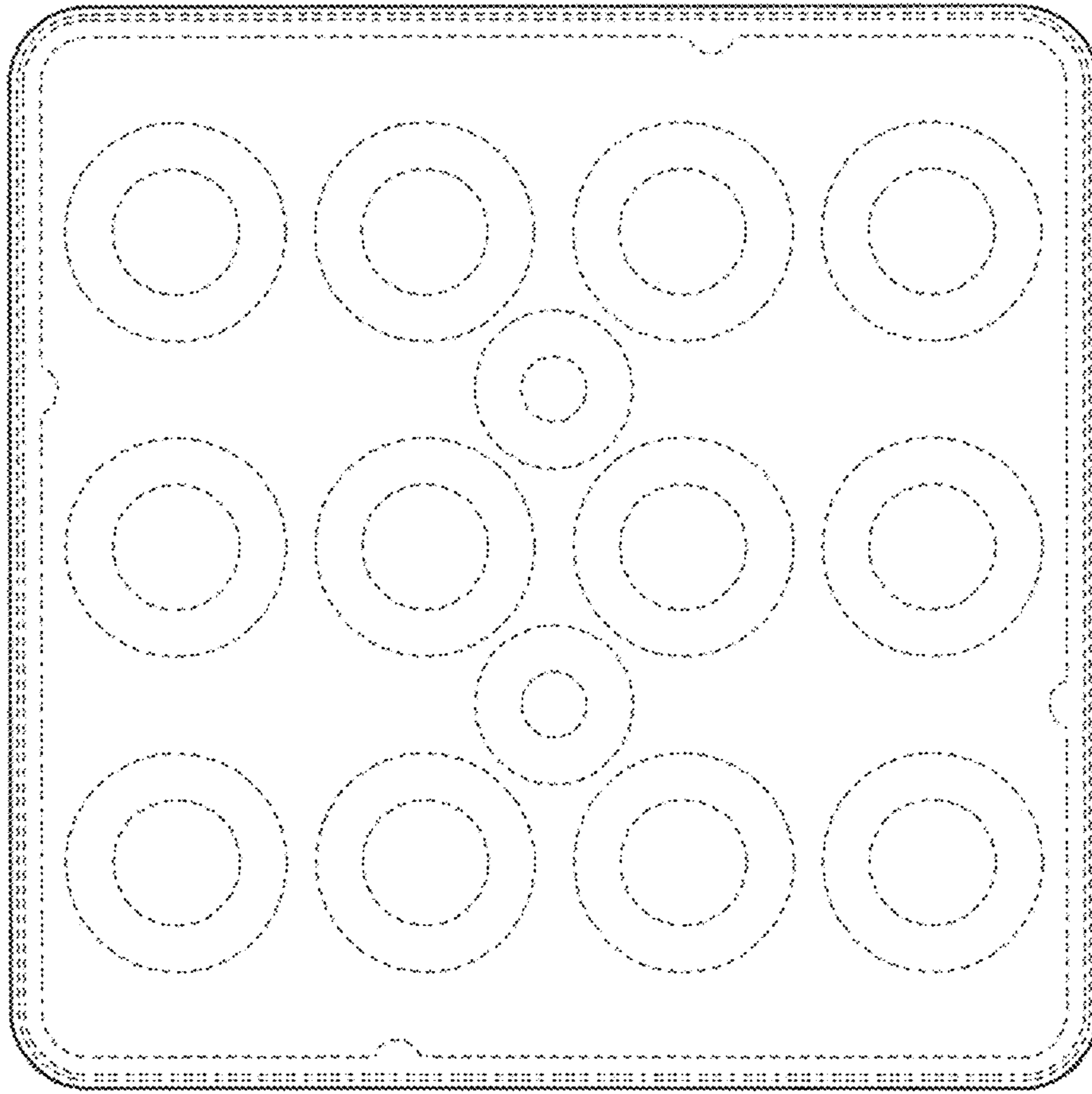


FIG. 6

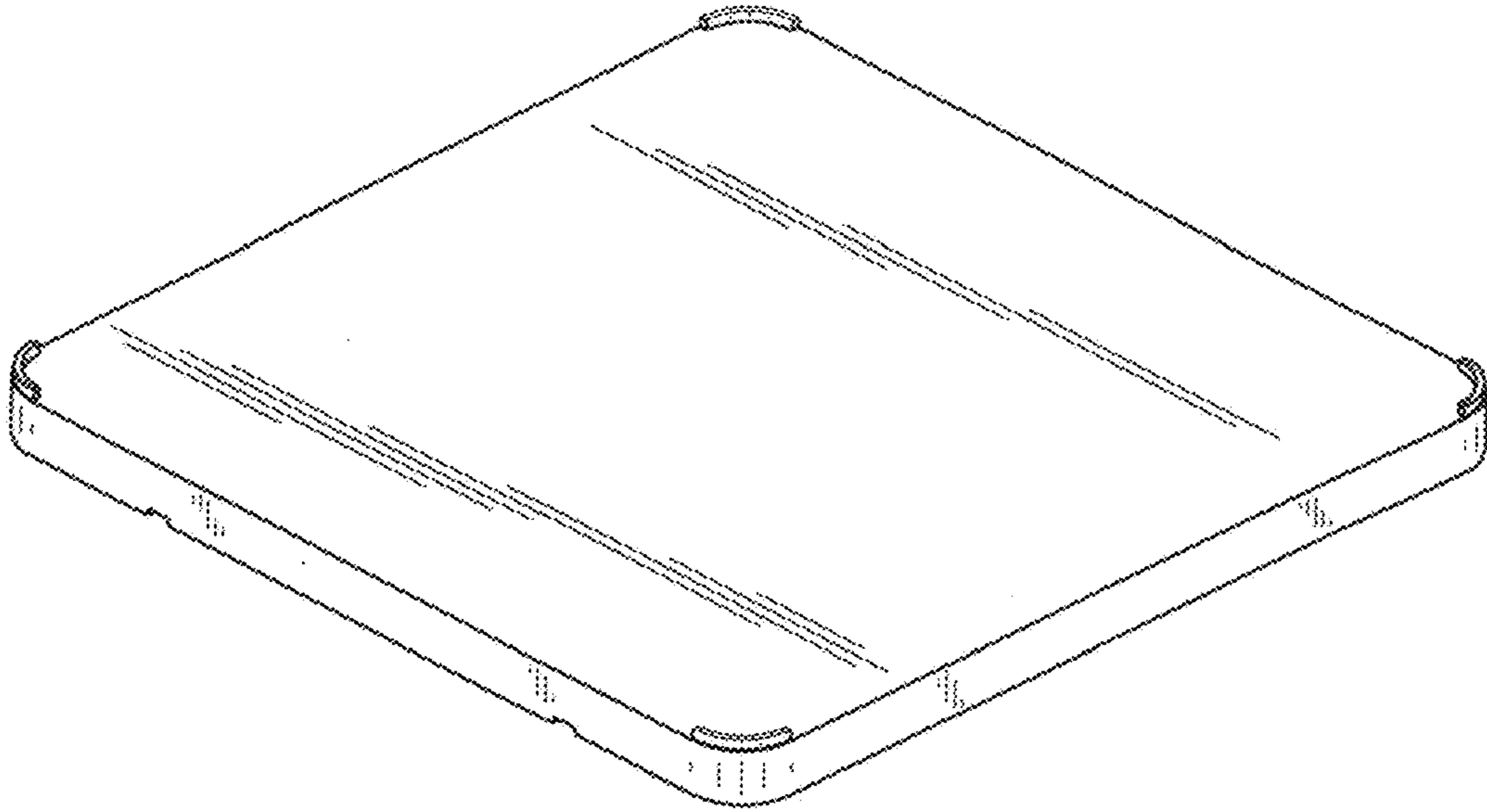


FIG. 7

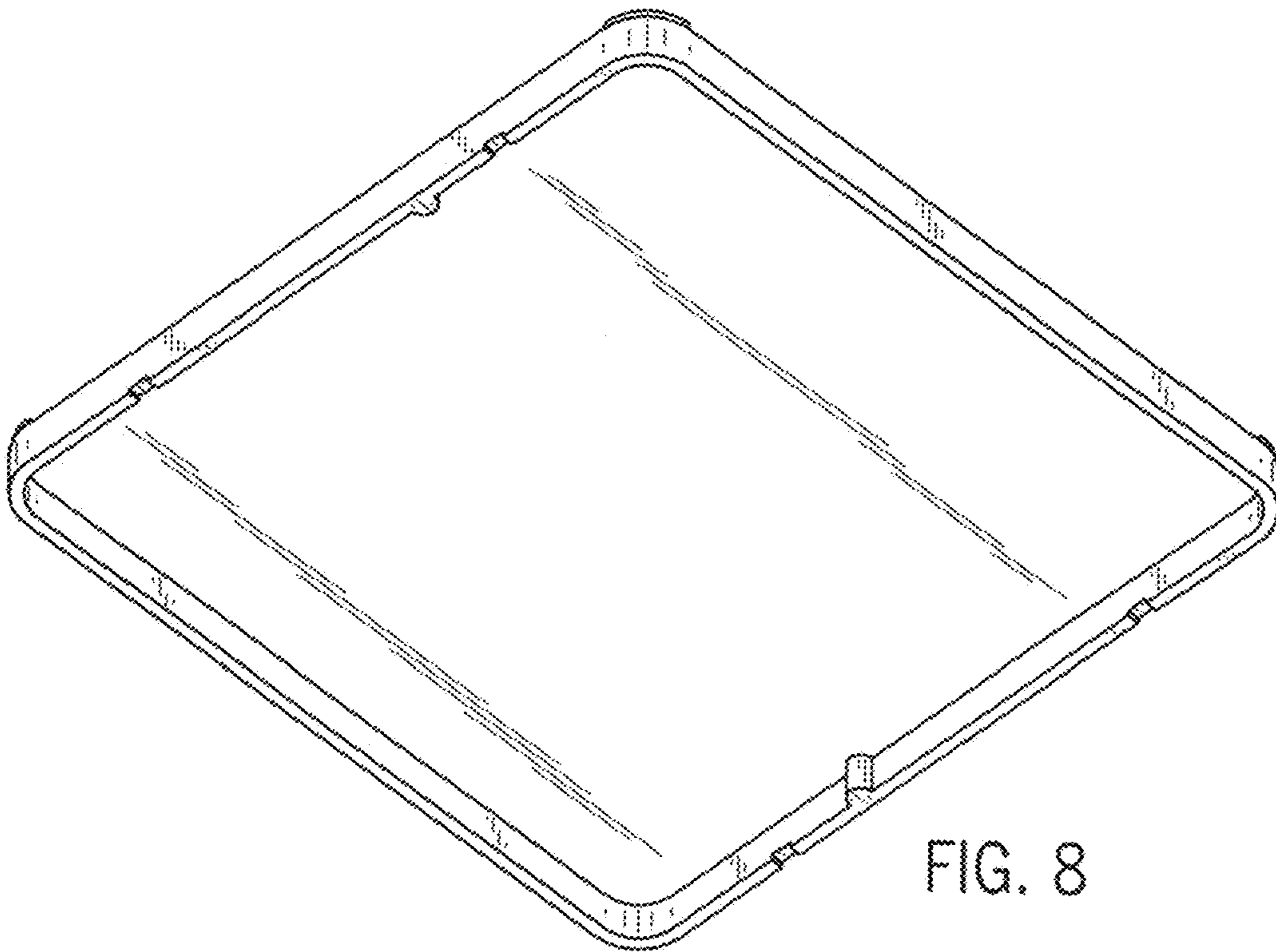


FIG. 8

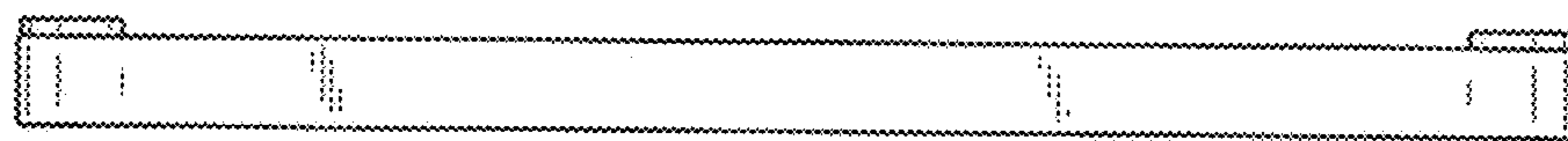


FIG. 9

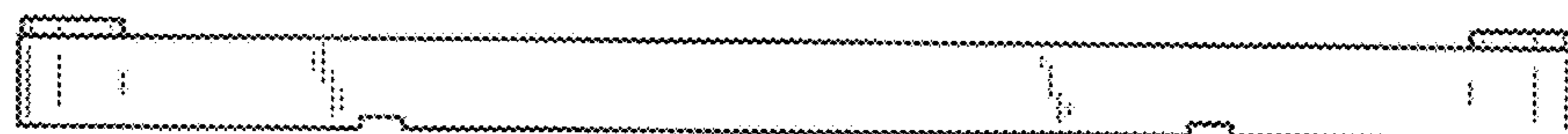


FIG. 10

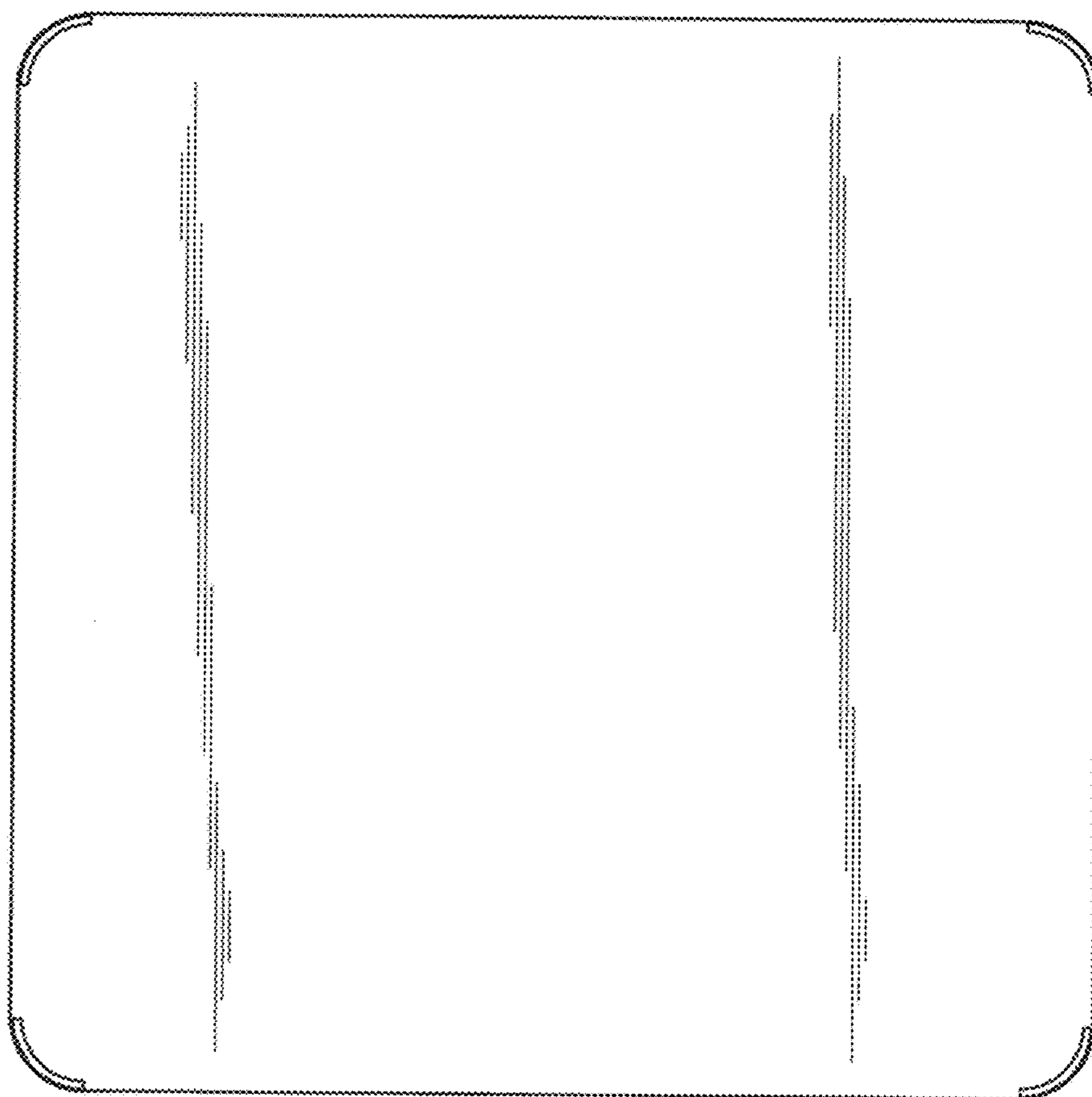


FIG. 11

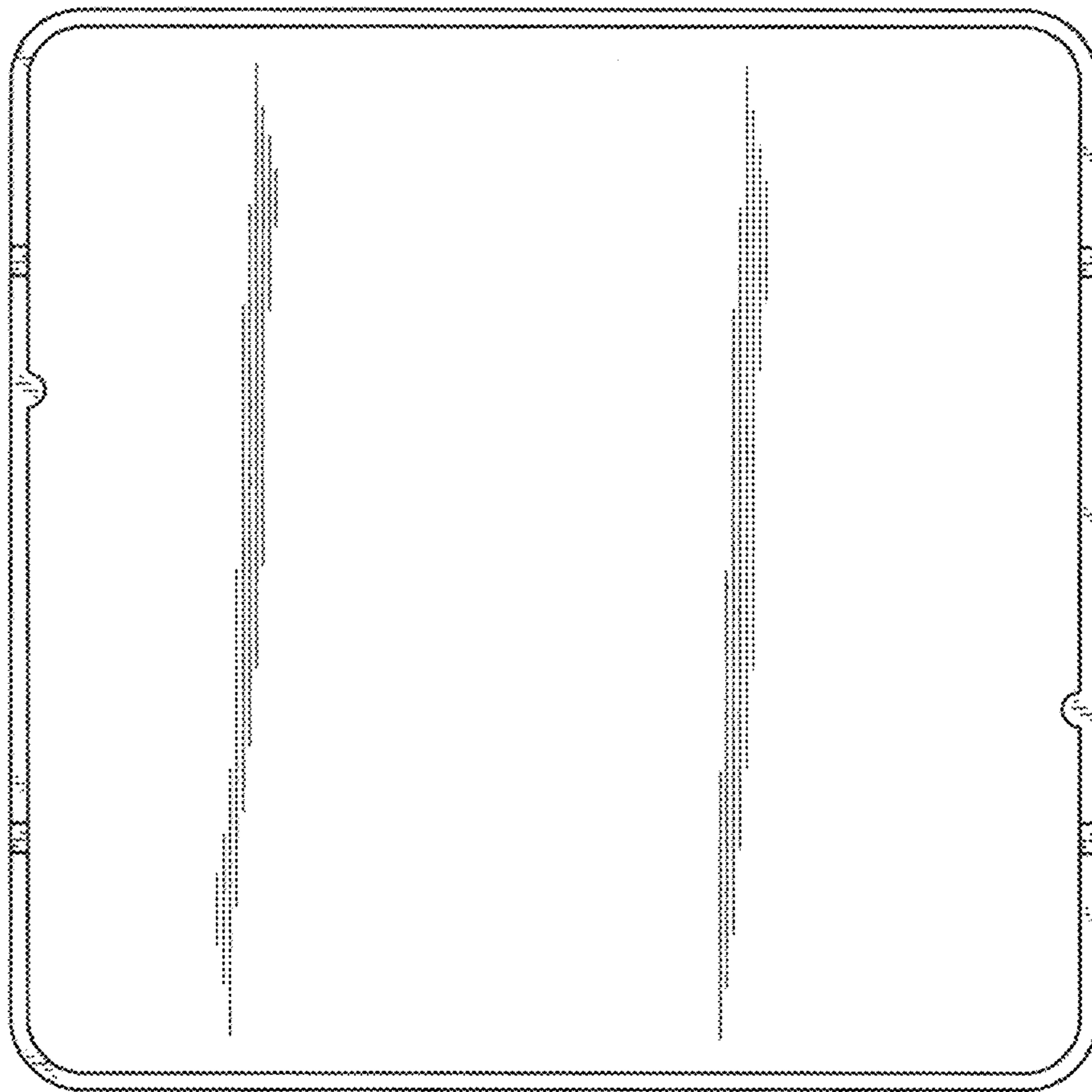


FIG. 12

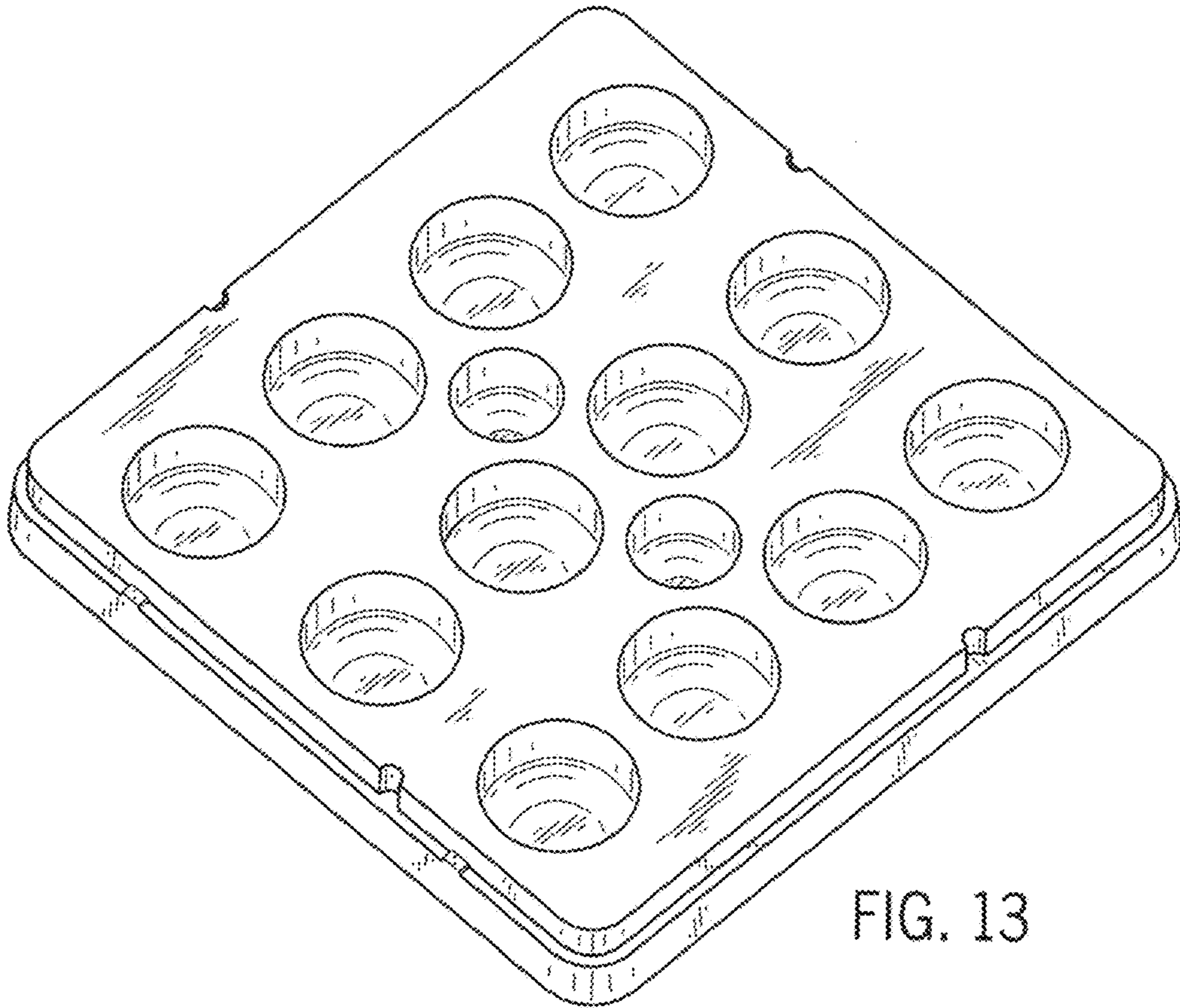


FIG. 13

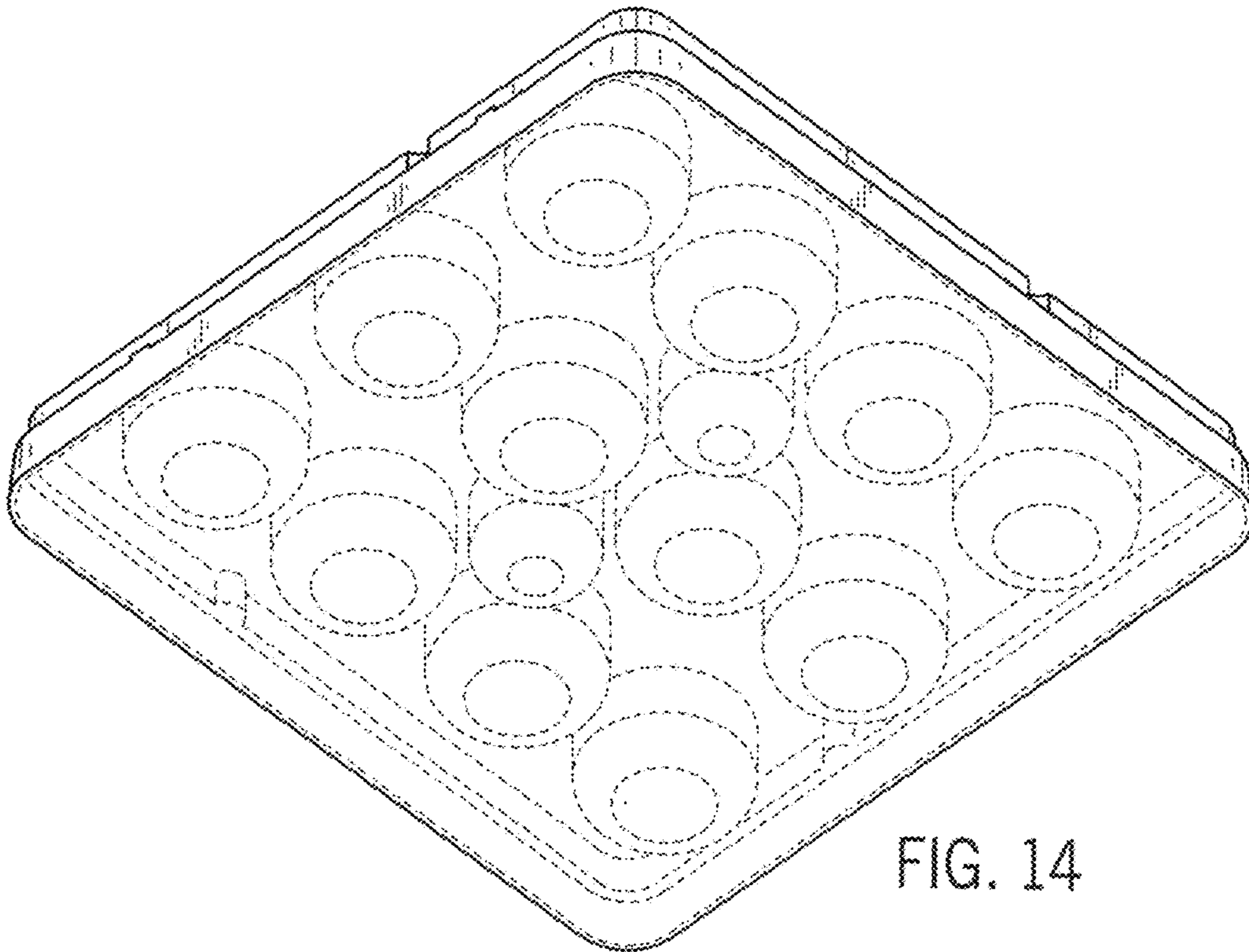


FIG. 14



FIG. 15



FIG. 16

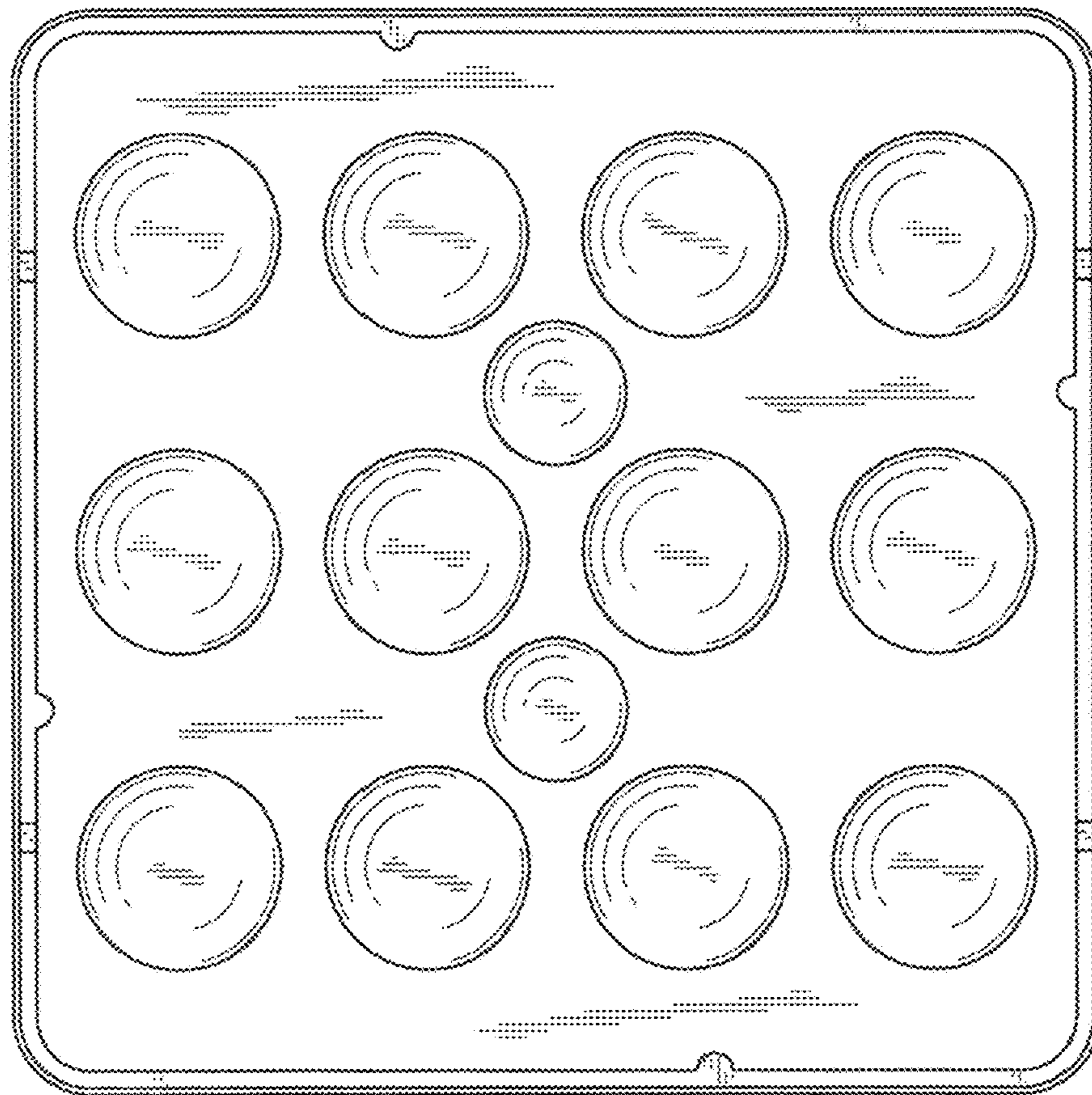


FIG. 17

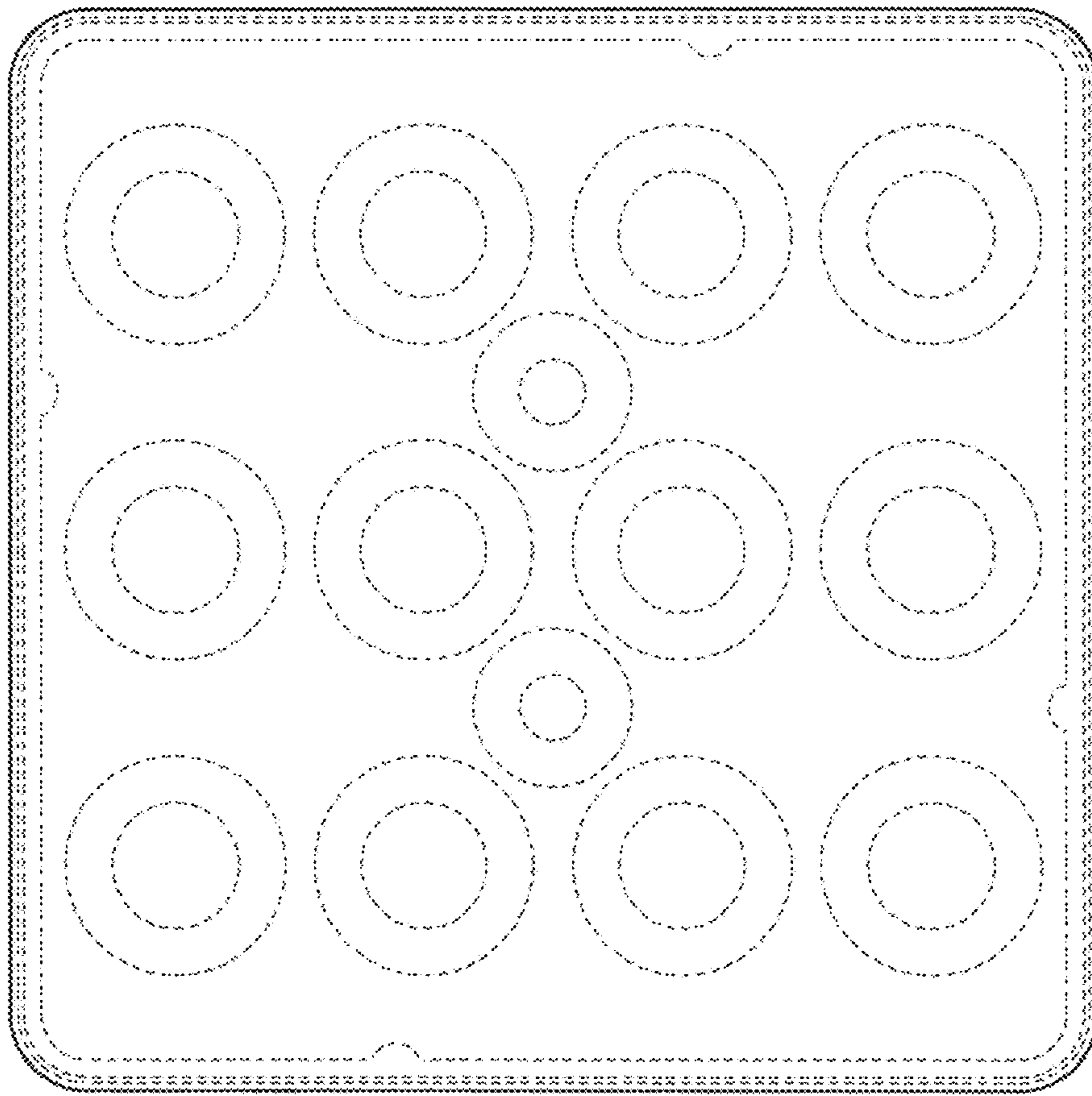


FIG. 18