



US00D843594S

(12) **United States Design Patent** (10) **Patent No.:** **US D843,594 S**  
**Ito et al.** (45) **Date of Patent:** **\*\* Mar. 19, 2019**

(54) **SUBSTRATE FOR SPECTROSCOPIC ANALYSIS**

B01L 3/502738; B01L 9/06; G01J 3/02;  
B41J 32/00; C12Q 1/16

See application file for complete search history.

(71) Applicant: **HAMAMATSU PHOTONICS K.K.**,  
Shizuoka (JP)

(56) **References Cited**

(72) Inventors: **Masashi Ito**, Hamamatsu (JP);  
**Katsumi Shibayama**, Hamamatsu (JP);  
**Kazuto Ofuji**, Hamamatsu (JP);  
**Yoshihiro Maruyama**, Hamamatsu (JP)

U.S. PATENT DOCUMENTS

3,856,656 A \* 12/1974 Brink ..... G01N 27/447  
204/616  
4,227,810 A \* 10/1980 Sandrock ..... G01N 21/03  
250/576  
4,294,931 A \* 10/1981 Levin ..... C12Q 1/16  
206/362  
D273,898 S \* 5/1984 Valencia ..... D24/225

(73) Assignee: **HAMAMATSU PHOTONICS K.K.**,  
Hamamatsu-shi, Shizuoka (JP)

(Continued)

(\*\*) Term: **15 Years**

*Primary Examiner* — Rhea Shields

(21) Appl. No.: **35/504,261**

(57) **CLAIM**

(22) Filed: **Jul. 5, 2017**

The ornamental design for a substrate for spectroscopic analysis, as shown and described.

(80) **Hague Agreement Data**

Int. Filing Date: **Jul. 5, 2017**

Int. Reg. No.: **DM/097055**

Int. Reg. Date: **Jul. 5, 2017**

Int. Reg. Pub. Date: **Jan. 5, 2018**

**DESCRIPTION**

(30) **Foreign Application Priority Data**

Jan. 25, 2017 (JP) ..... 2017-001204

(51) **LOC (11) Cl.** ..... **24-02**

(52) **U.S. Cl.**  
USPC ..... **D24/225**

(58) **Field of Classification Search**  
USPC ..... D24/225, 216, 126, 189, 155; D10/81;  
D19/26; 356/41, 246, 301, 328;  
206/569, 362, 616, 558, 456; 422/412,  
422/537, 420, 408, 534; 435/7.92;  
211/74; 600/509; 250/576; 359/396;  
400/212

CPC ..... A61B 10/0045; A61B 5/0404; A47J  
27/21158; A61M 5/3205; G01N 21/658;  
G01N 1/30; G01N 21/03; G01N  
33/54366; B65D 85/48; B01L 3/5085;

1. Substrate for spectroscopic analysis

1.1 : Perspective

1.2 : Front

1.3 : Back

1.4 : Top

1.5 : Bottom

1.6 : Left

1.7 : Right

1.8 is a sectional view taken along the vertical center of 1.2;

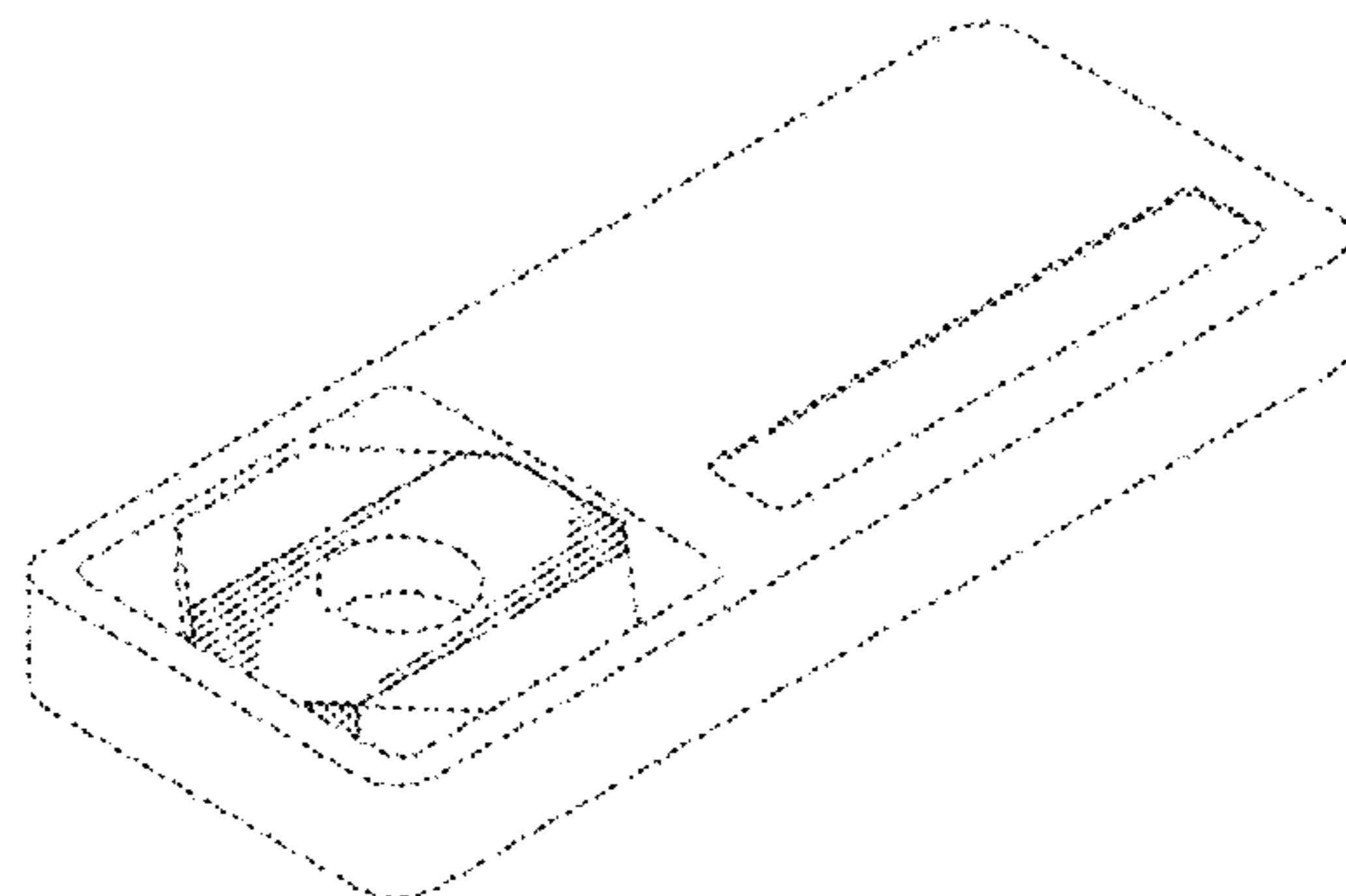
1.9 is a sectional view taken along the vertical upper part of 1.2;

1.10 : Perspective view without the cover part

1.11 : Reference view showing the state in use

In the reproductions, the broken lines are for the purpose of illustrating environment only and form no part of the claimed design. The dot-dash broken lines are for the purpose of showing the boundaries of the claim and form no part of the claimed design.

**1 Claim, 11 Drawing Sheets**



(56)

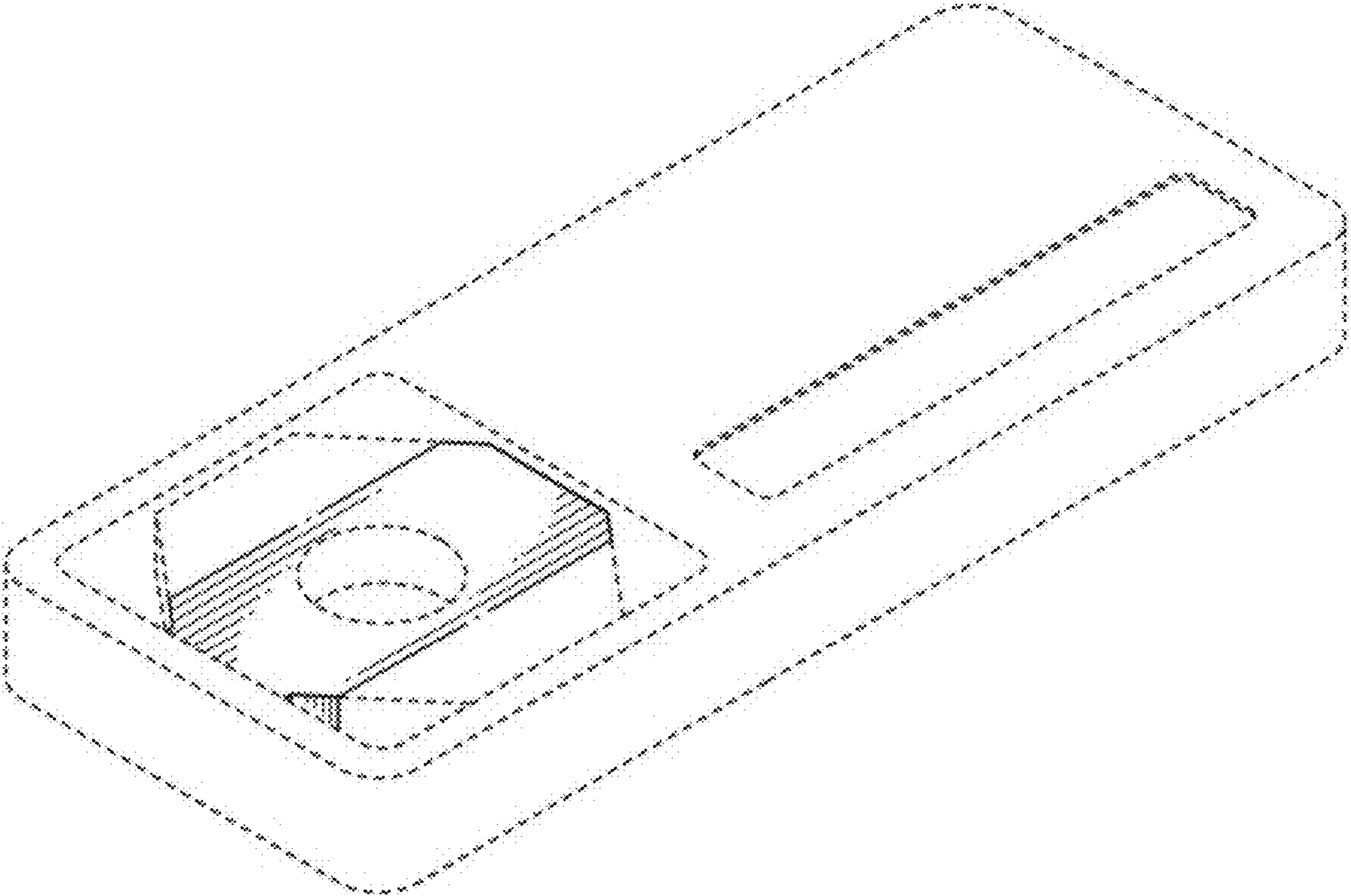
References Cited

U.S. PATENT DOCUMENTS

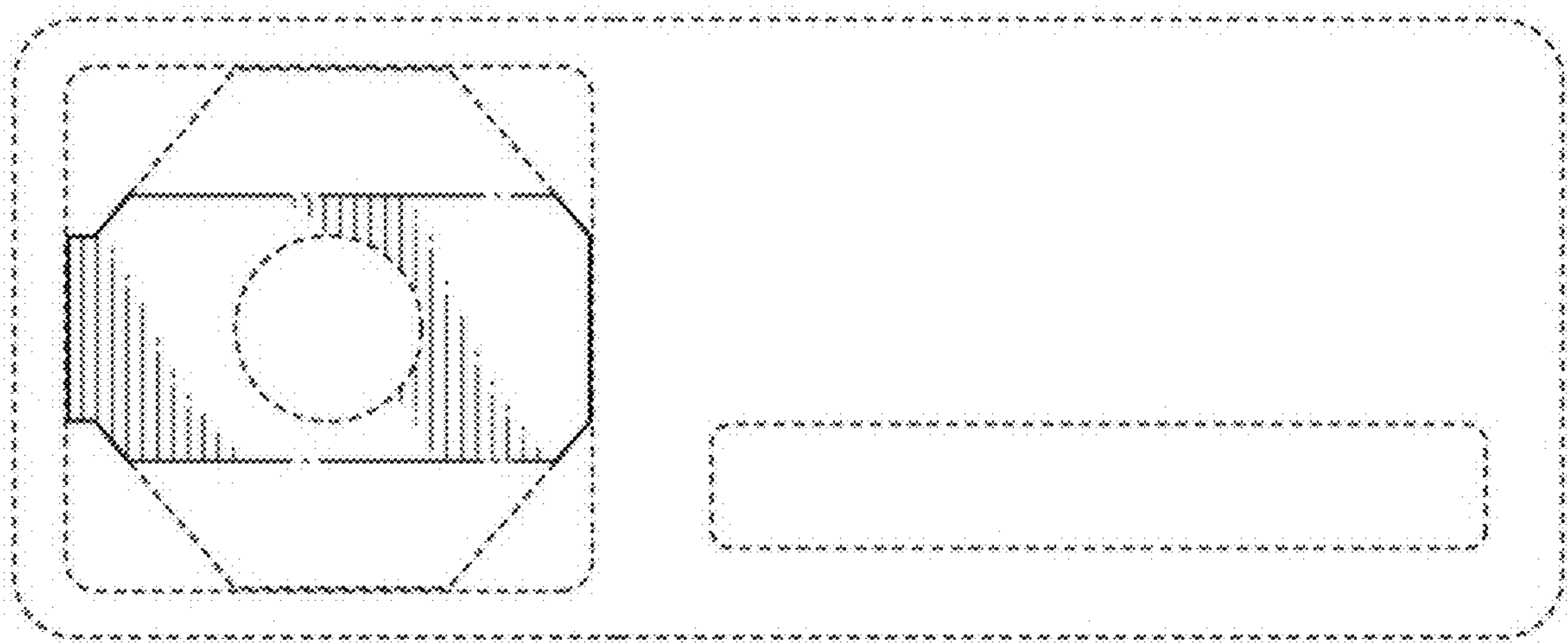
D290,042 S *	5/1987	Ford	.....	D24/225	D418,228 S *	12/1999	Fisch	.....	D24/225
4,761,381 A *	8/1988	Blatt	.....	B01L 3/502738	D431,300 S *	9/2000	Fisch	.....	D24/225
				356/246	6,372,514 B1 *	4/2002	Lee	.....	G01N 33/54366
4,777,964 A *	10/1988	Briggs	.....	A61B 5/150022					422/408
				206/569	D500,142 S *	12/2004	Crisanti	.....	D24/216
4,819,804 A *	4/1989	Levy	.....	B65D 85/48	D530,826 S *	10/2006	Rich	.....	D24/225
				206/456	D531,321 S *	10/2006	Godfrey	.....	D24/225
4,857,453 A *	8/1989	Ullman	.....	G01N 33/54366	D569,990 S *	5/2008	Fisch	.....	D24/225
				435/7.92	D631,166 S *	1/2011	Leffew	.....	D24/189
4,943,522 A *	7/1990	Eisinger	.....	G01N 33/54386	D692,578 S *	10/2013	Kikuhara	.....	D24/216
				422/537	D733,911 S *	7/2015	Ito	.....	D24/225
4,981,786 A *	1/1991	Dafforn	.....	G01N 33/5302	D733,912 S *	7/2015	Ito	.....	D24/225
				422/412	D733,913 S *	7/2015	Ito	.....	D24/225
5,002,062 A *	3/1991	Suzuki	.....	A61B 5/0404	D735,878 S *	8/2015	Chang	.....	D24/216
				600/509	D739,954 S *	9/2015	Ito	.....	D24/225
5,075,078 A *	12/1991	Osikowicz	.....	G01N 33/54366	D740,439 S *	10/2015	Ito	.....	D24/225
				422/420	D740,440 S *	10/2015	Ito	.....	D24/225
5,217,012 A *	6/1993	Young	.....	A61B 5/02427	D750,799 S *	3/2016	Ito	.....	D24/225
				356/41	D750,800 S *	3/2016	Ito	.....	D24/225
5,451,112 A *	9/1995	Ito	.....	B41J 32/00	D754,871 S *	4/2016	Morrell-Falvey	.....	D24/225
				400/212	D762,874 S *	8/2016	Ito	.....	D24/225
5,484,572 A *	1/1996	Katakura	.....	A61B 10/0045	D772,424 S *	11/2016	Kram	.....	D24/216
				422/534	D774,189 S *	12/2016	Wolfe	.....	D24/126
5,484,731 A *	1/1996	Stevens	.....	B01L 3/5085	D800,912 S *	10/2017	Uzri	.....	D24/216
				206/558	D812,502 S *	3/2018	Yokino	.....	D10/81
5,525,304 A *	6/1996	Matsson	.....	B01L 9/06	D819,209 S *	5/2018	DaCosta	.....	D24/155
				211/74	D825,360 S *	8/2018	Ito	.....	D10/81
D383,215 S *	9/1997	Levy	.....	D19/26	D829,117 S *	9/2018	Hirose	.....	D10/81
5,812,312 A *	9/1998	Lorincz	.....	G01N 1/30	D829,582 S *	10/2018	Hirose	.....	D10/81
				359/396	2011/0141469 A1 *	6/2011	Shibayama	.....	G01J 3/02
									356/328
					2016/0061736 A1 *	3/2016	Ito	.....	G01N 21/658
									356/301
					2018/0136134 A1 *	5/2018	Shibayama	.....	G01N 21/658

\* cited by examiner

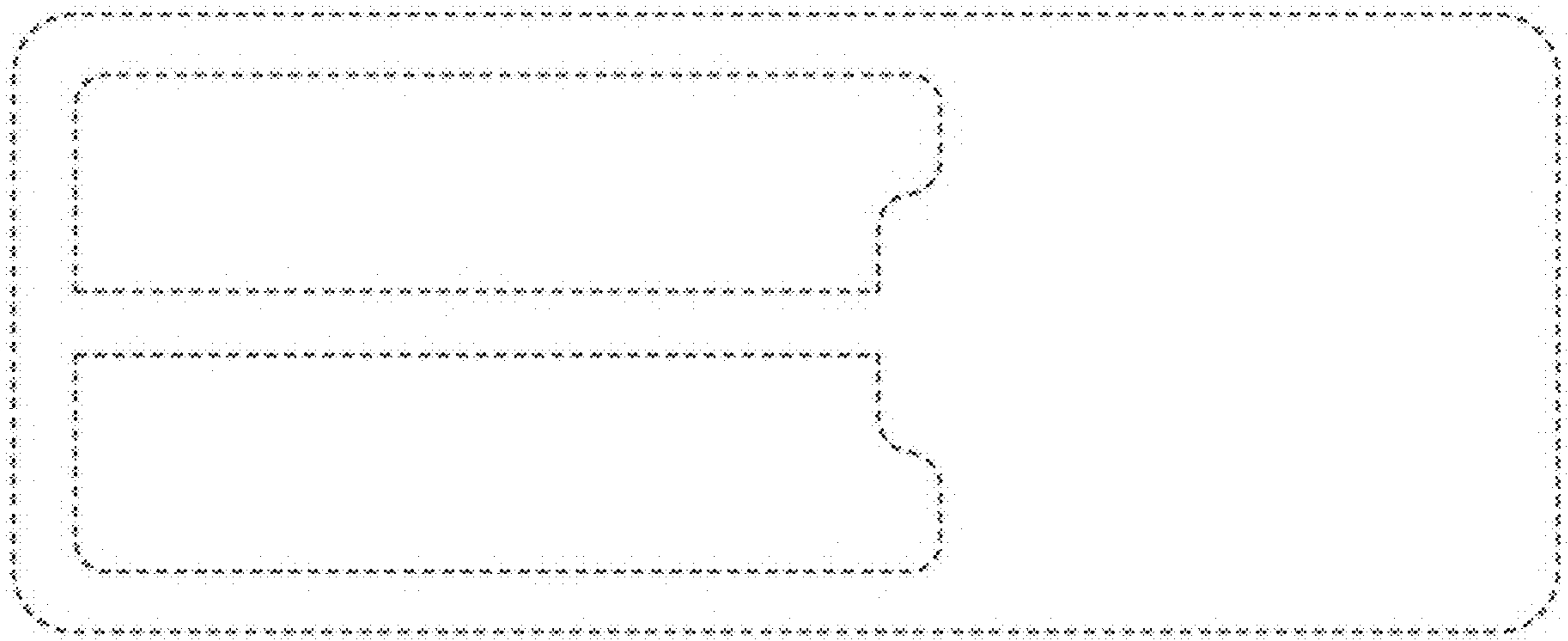
1.1



1.2



1.3





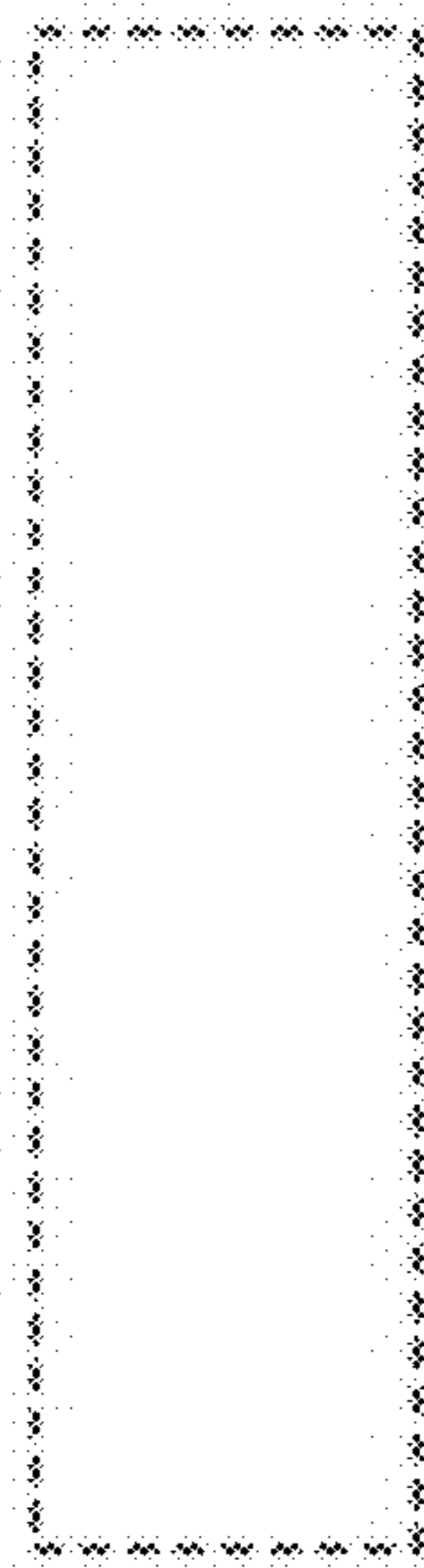
**1.4**



**1.5**

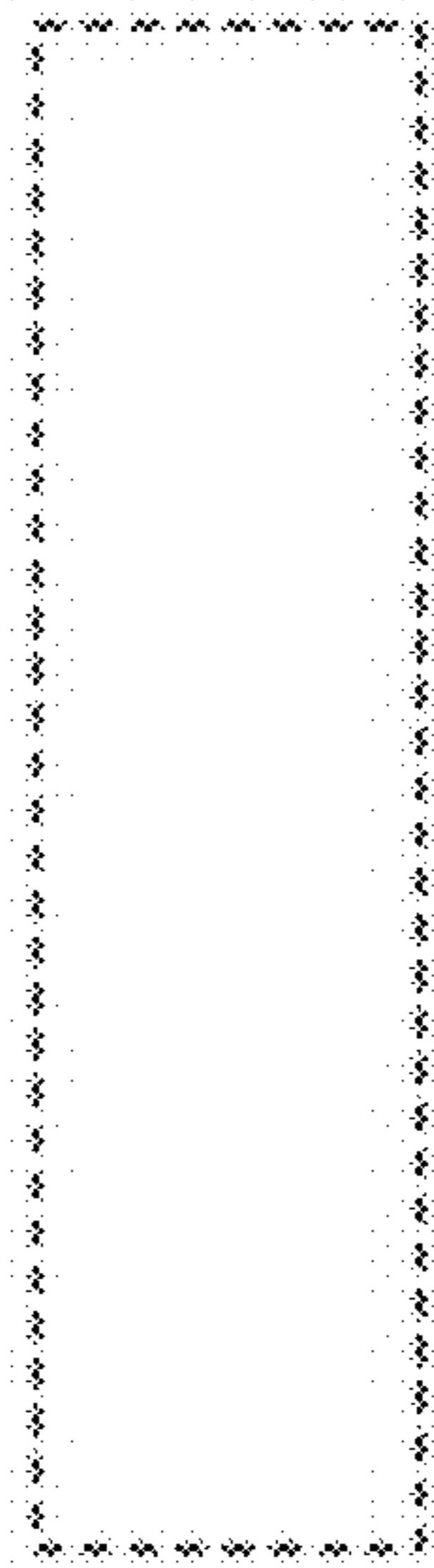


1.6

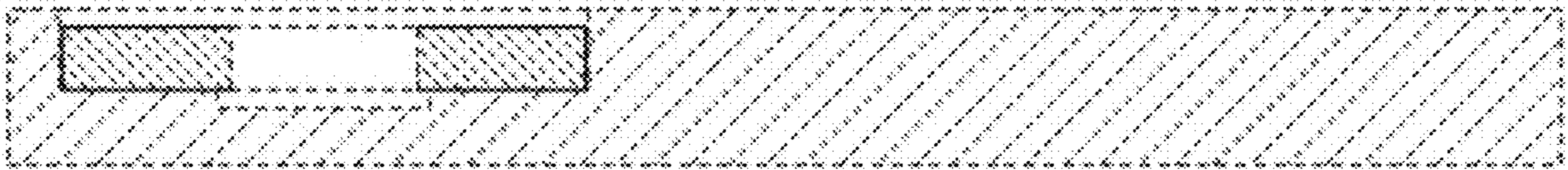




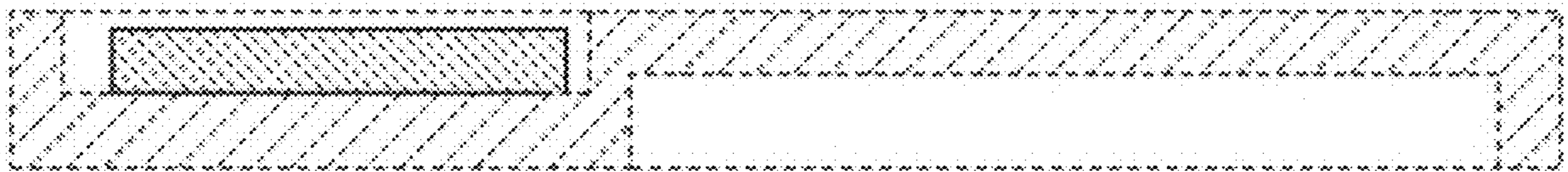
1.7



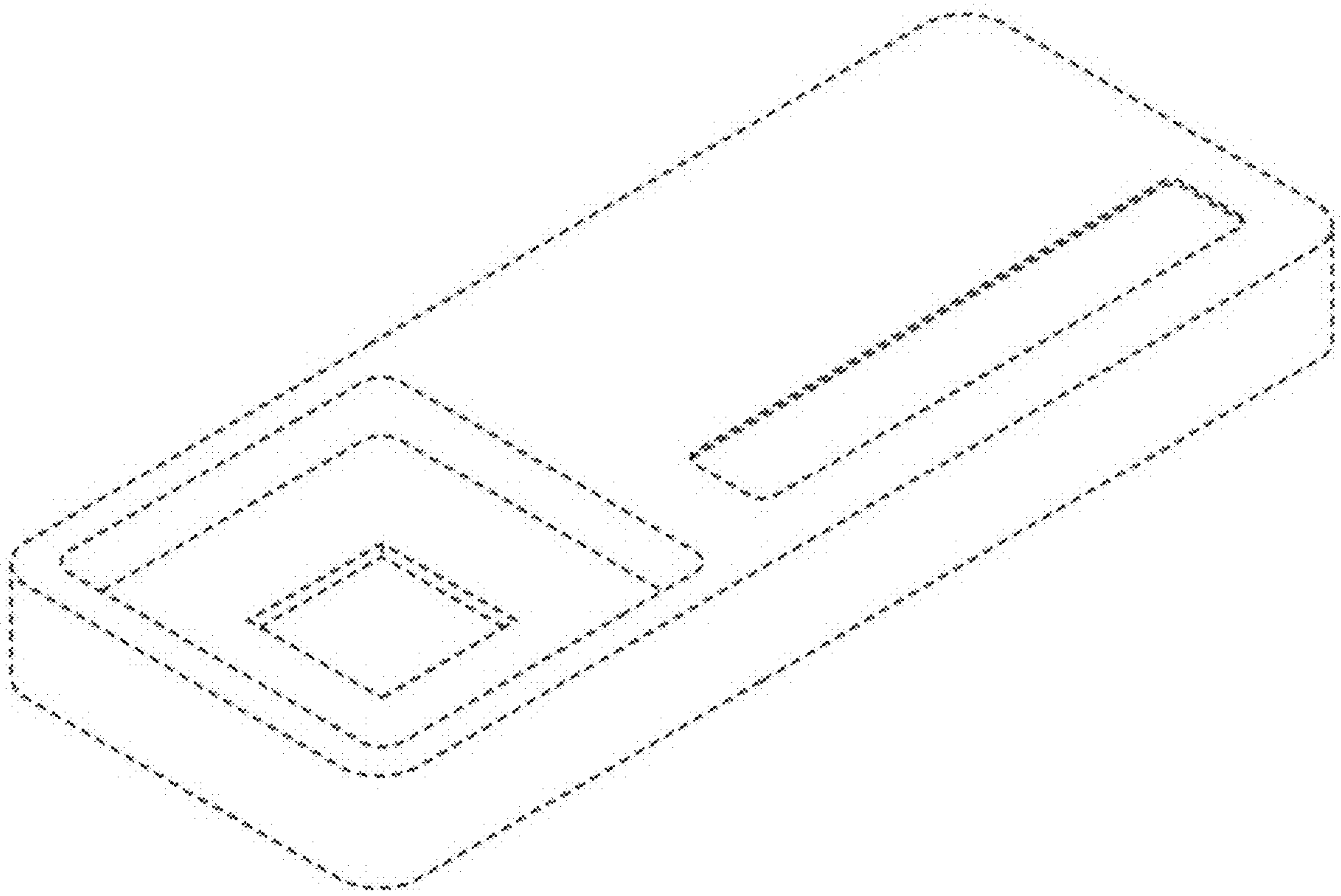
1.8



1.9



1.10



**1.11**

