

US00D843593S

(12) **United States Design Patent**  
**Nakamura et al.**

(10) **Patent No.:** **US D843,593 S**  
(45) **Date of Patent:** **\*\* Mar. 19, 2019**

(54) **MASSAGER**  
(71) Applicant: **TENGA CO., LTD.**, Tokyo (JP)  
(72) Inventors: **Kengo Nakamura**, Tokyo (JP); **Ayumi Mochizuki**, Tokyo (JP)  
(73) Assignee: **TENGA CO., LTD.**, Minato-ku (JP)  
(\*\*) Term: **15 Years**

D666,733 S *	9/2012	Caggiano .....	D24/215
D694,416 S *	11/2013	Tai .....	D24/215
D695,413 S *	12/2013	Grust .....	D24/214
D708,756 S *	7/2014	Marshall .....	D24/215
D738,523 S *	9/2015	Tong .....	D24/215
D747,543 S *	1/2016	Taha .....	D27/163
D747,544 S *	1/2016	Taha .....	D27/163
D747,827 S *	1/2016	Taha .....	D27/163
D748,326 S *	1/2016	Taha .....	D27/163
D753,340 S *	4/2016	Taha .....	D27/163
D759,261 S *	6/2016	Son .....	D24/215

\* cited by examiner

(21) Appl. No.: **35/502,968**  
(22) Filed: **Nov. 9, 2016**

*Primary Examiner* — Eliza Z Bennett-Hattan  
(74) *Attorney, Agent, or Firm* — Masuvalley & Partners

(80) **Hague Agreement Data**

Int. Filing Date: **Nov. 9, 2016**  
Int. Reg. No.: **DM/093903**  
Int. Reg. Date: **Nov. 9, 2016**  
Int. Reg. Pub. Date: **May 12, 2017**

(57) **CLAIM**

The ornamental design for a massager, as shown and described.

(51) **LOC (11) Cl.** ..... **28-03**

(52) **U.S. Cl.**  
USPC ..... **D24/215**

**DESCRIPTION**

(58) **Field of Classification Search**  
USPC ..... D24/141, 133, 200, 211–215  
CPC ..... A61H 15/0092; A61H 7/003; A61H 2201/0153; A61H 19/00; A61H 19/30; A61H 19/34  
See application file for complete search history.

1. Massage appliance
- 1.1 : Perspective
- 1.2 : Front
- 1.3 : Back
- 1.4 : Left
- 1.5 : Right
- 1.6 : Top

The broken lines in the drawing depict environmental subject matter only and form no part of the claimed design.

(56) **References Cited**

U.S. PATENT DOCUMENTS

D567,448 S *	4/2008	Mascotte .....	D28/90
D630,761 S *	1/2011	Marshall .....	D24/215

**1 Claim, 6 Drawing Sheets**

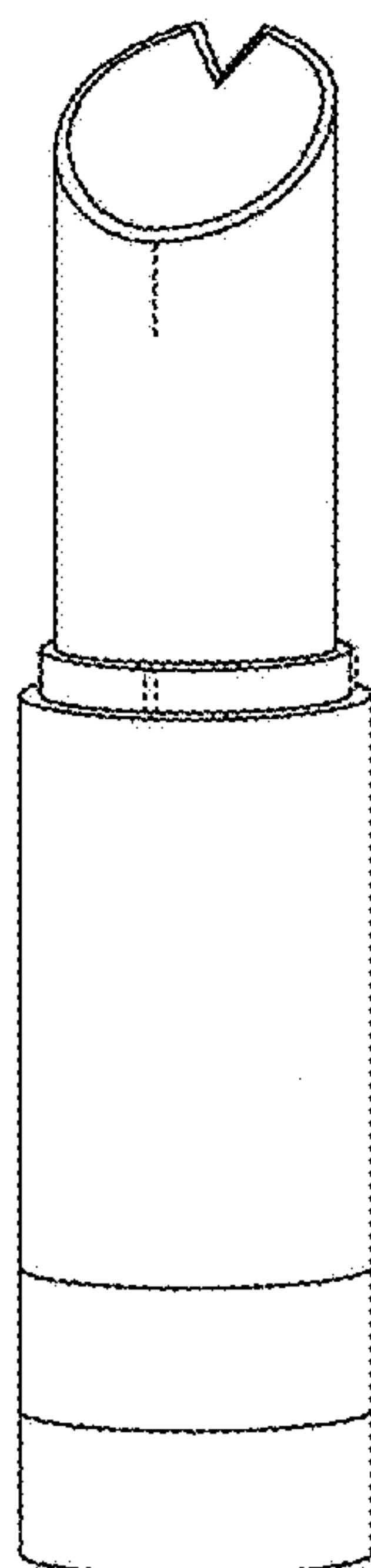


FIG. 1.1

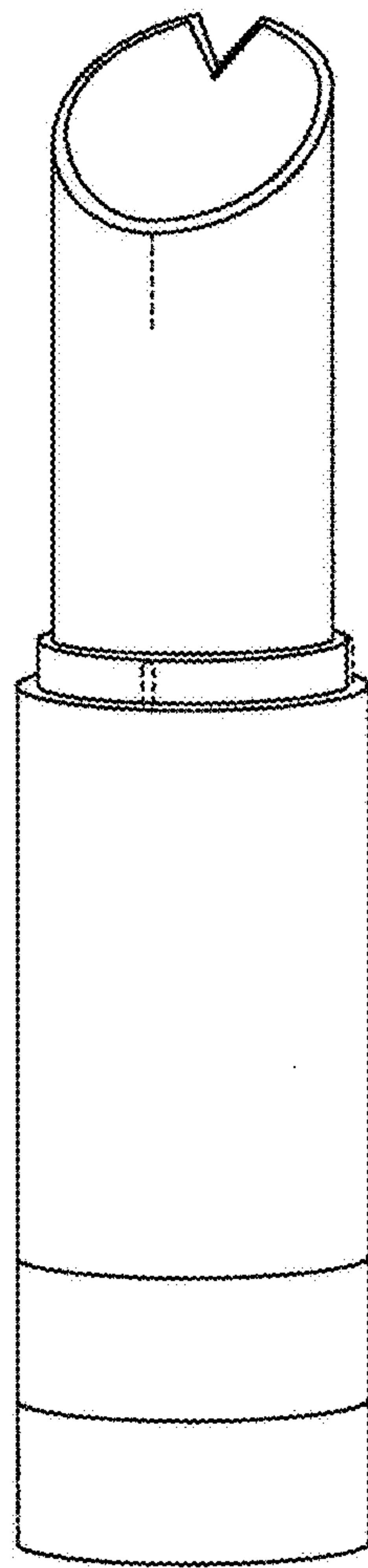


FIG. 1.2

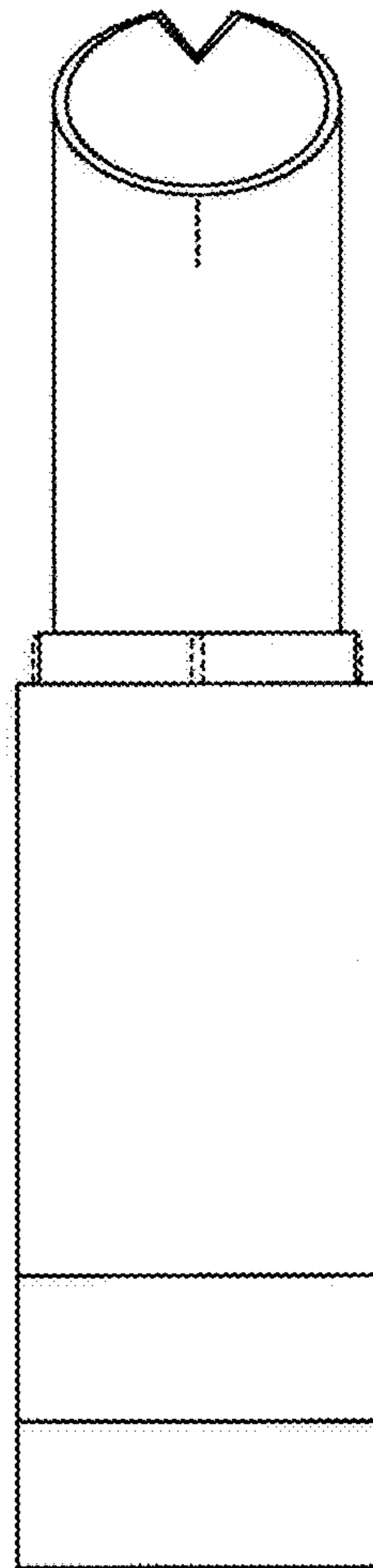


FIG. 1.3

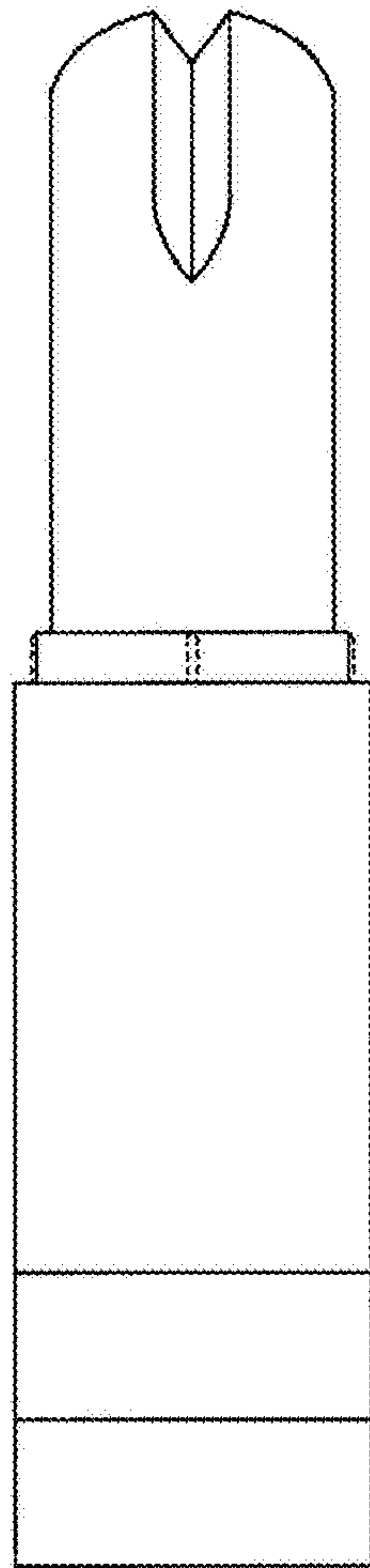


FIG. 1.4

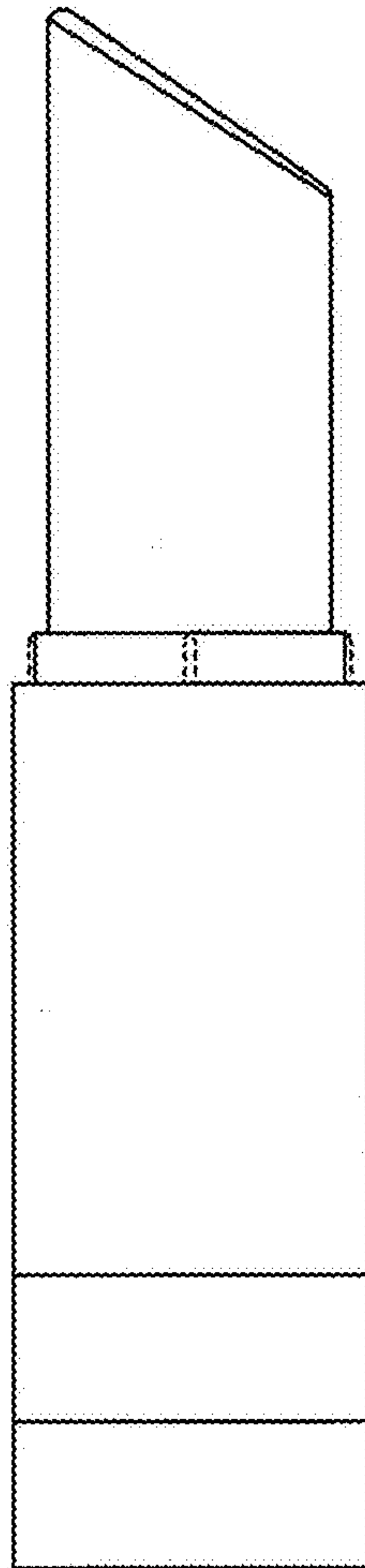


FIG. 1.5

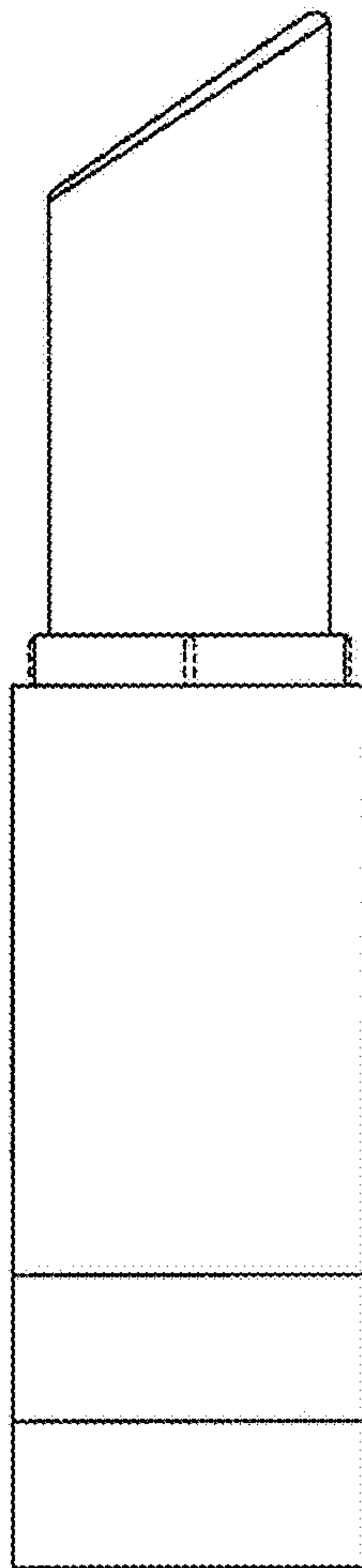
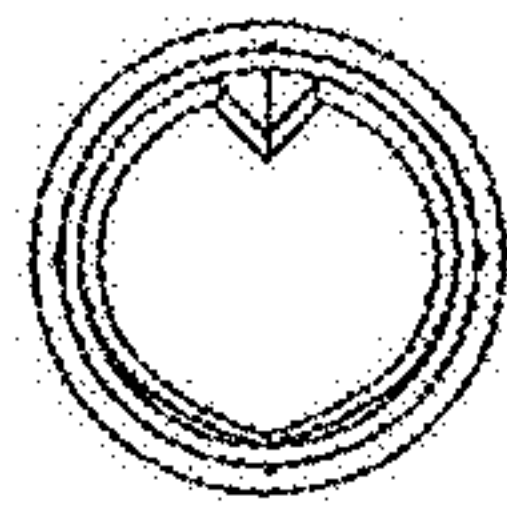


FIG. 1.6



UNITED STATES PATENT AND TRADEMARK OFFICE  
**CERTIFICATE OF CORRECTION**

PATENT NO. : D843,593 S  
APPLICATION NO. : 35/502968  
DATED : March 19, 2019  
INVENTOR(S) : Kengo Nakamura and Ayumi Mochizuki

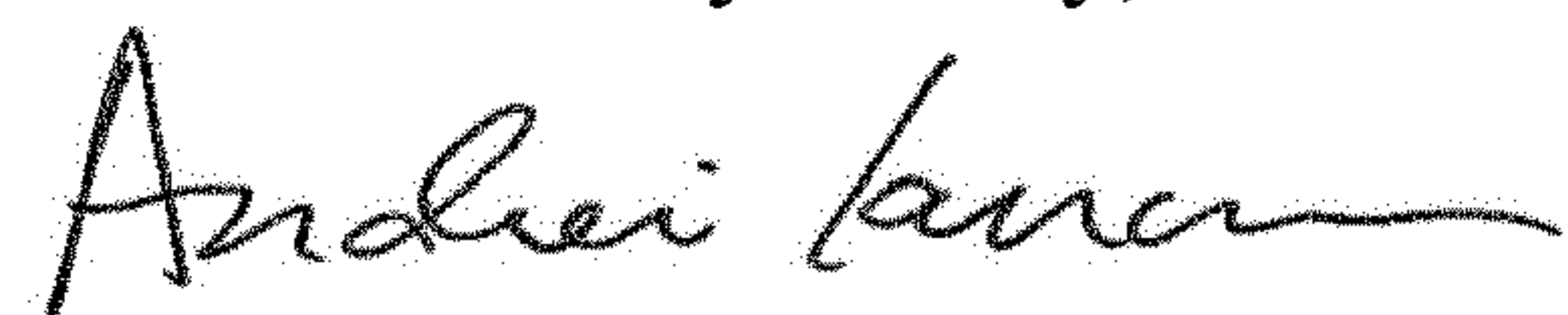
Page 1 of 2

It is certified that error appears in the above-identified patent and that said Letters Patent is hereby corrected as shown below:

In the Drawings

Published Figure 1.6 is replaced with the attached Figure 1.6 that is larger and is more clearly depicted.

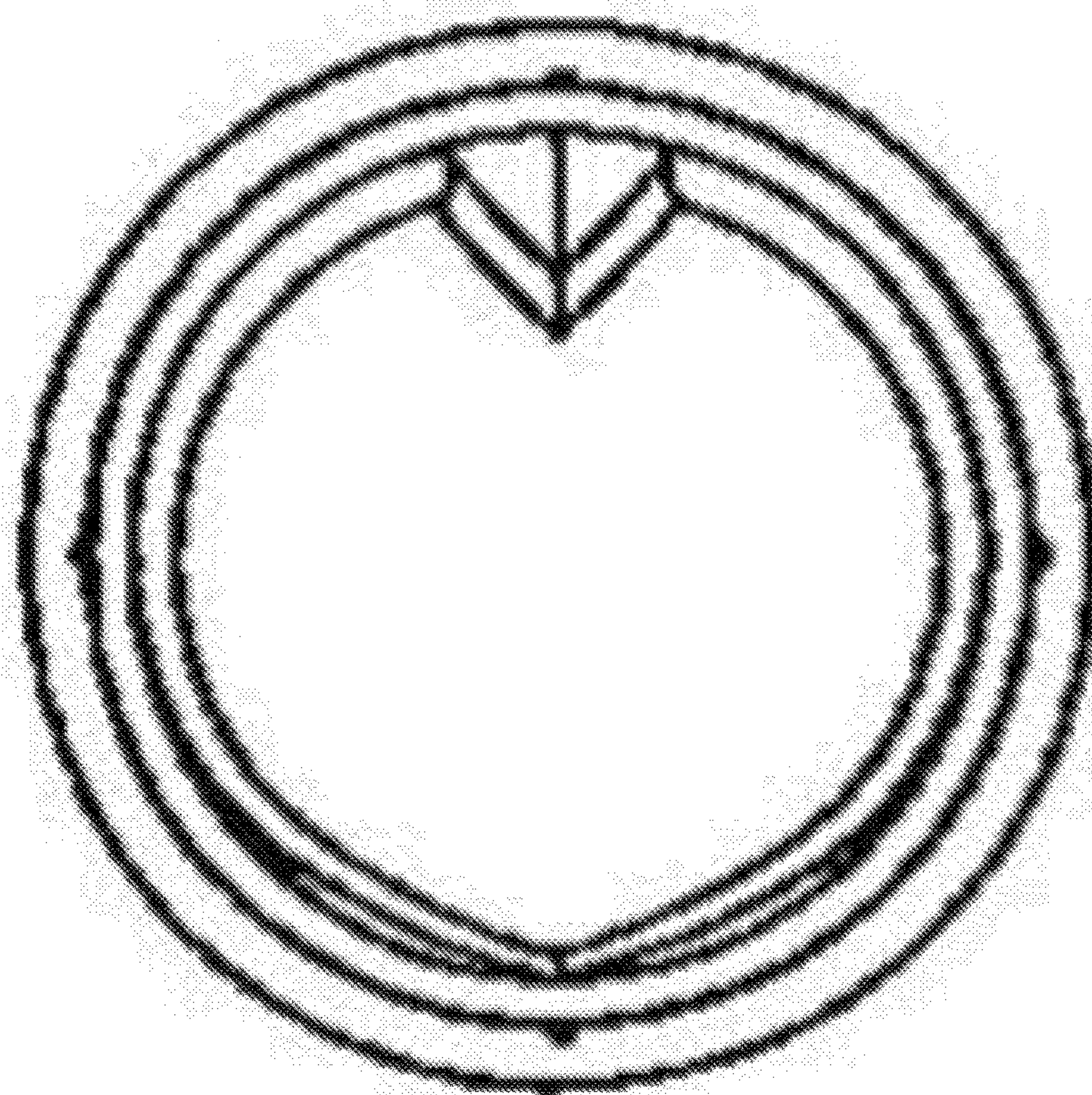
Signed and Sealed this  
Second Day of July, 2019



Andrei Iancu  
*Director of the United States Patent and Trademark Office*



**FIG 1.6**



UNITED STATES PATENT AND TRADEMARK OFFICE  
**CERTIFICATE OF CORRECTION**

PATENT NO. : D843,593 S  
APPLICATION NO. : 35/502968  
DATED : March 19, 2019  
INVENTOR(S) : Kengo Nakamura and Ayumi Mochizuki

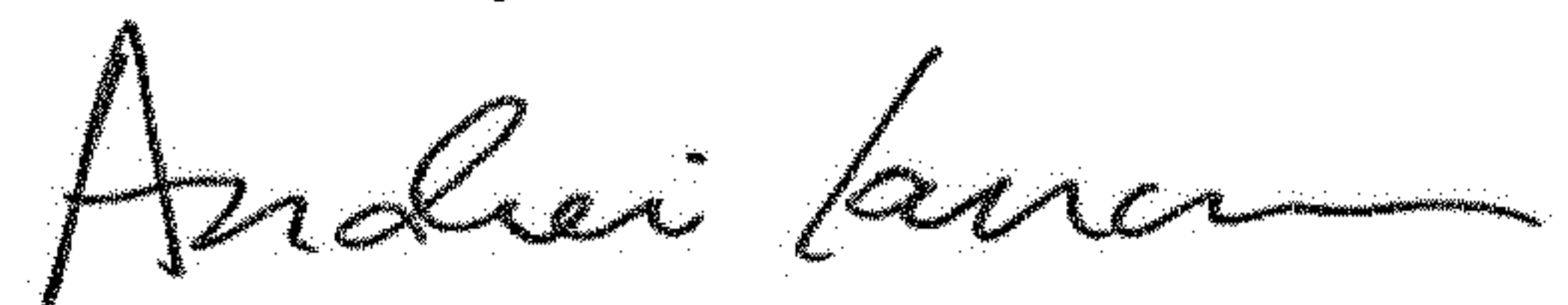
Page 1 of 7

It is certified that error appears in the above-identified patent and that said Letters Patent is hereby corrected as shown below:

In the Drawings

All the published Figures are replaced with the attached Figures so that the scale of the figures is the same.

Signed and Sealed this  
Fifth Day of November, 2019



Andrei Iancu  
*Director of the United States Patent and Trademark Office*

FIG 1.1

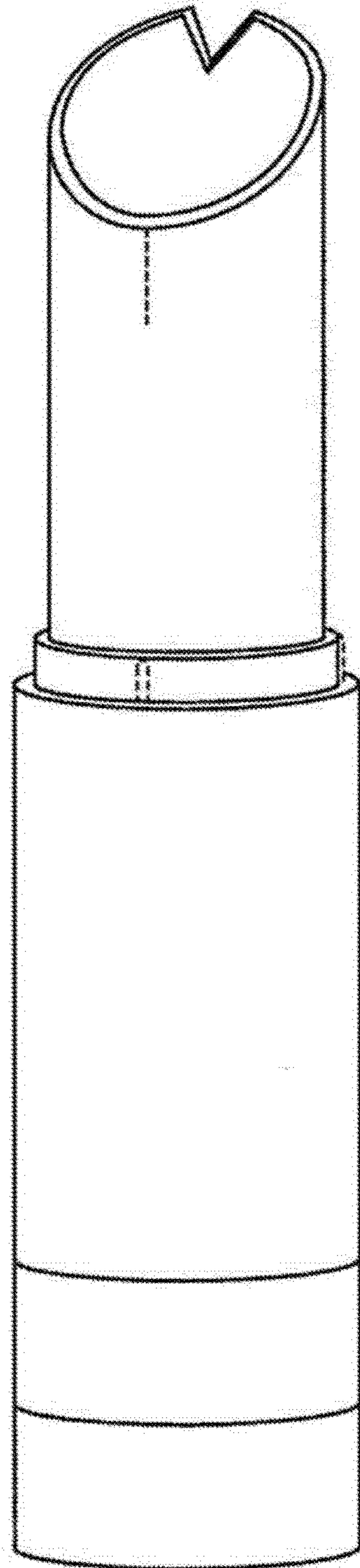


FIG 1.2

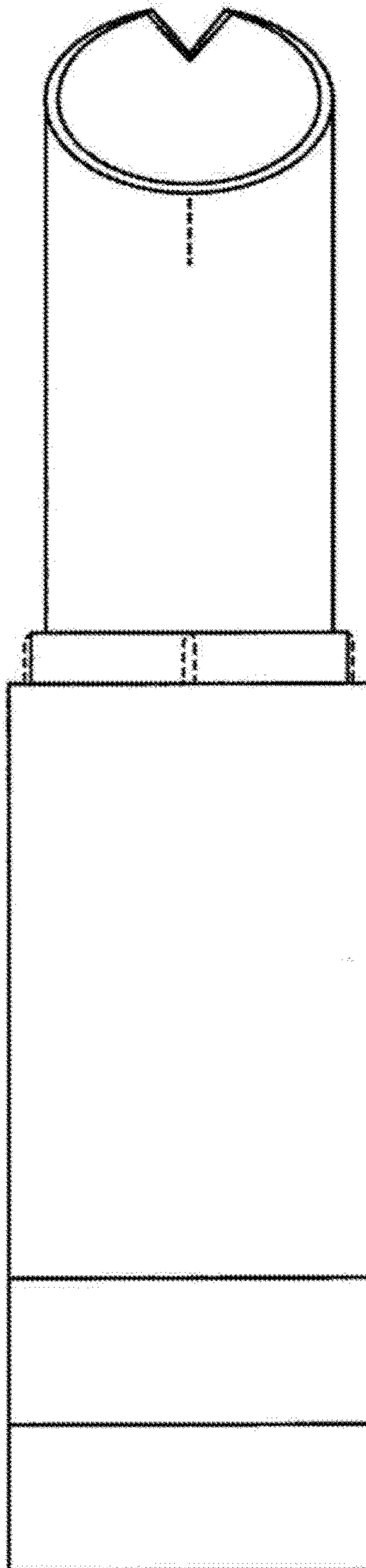


FIG 1.3

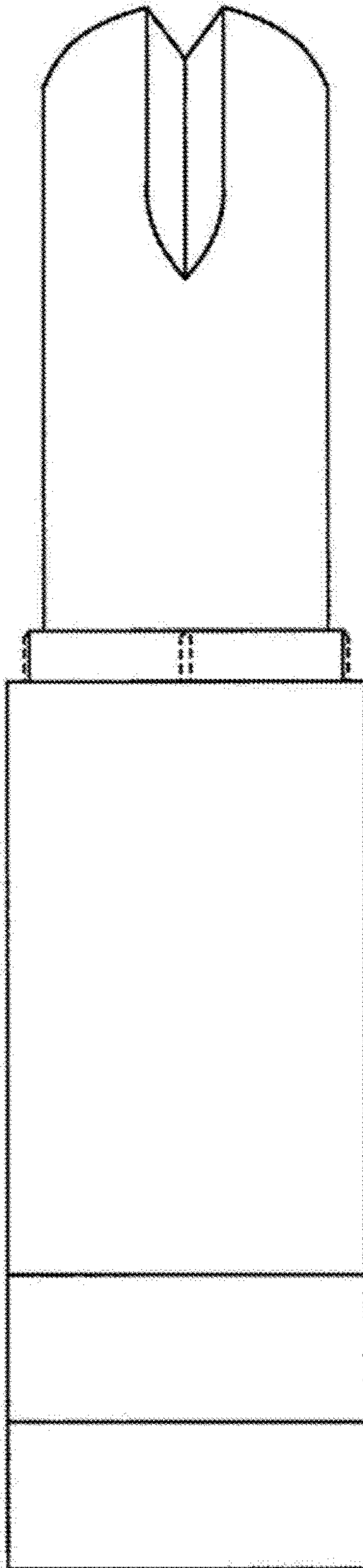




FIG 1.4

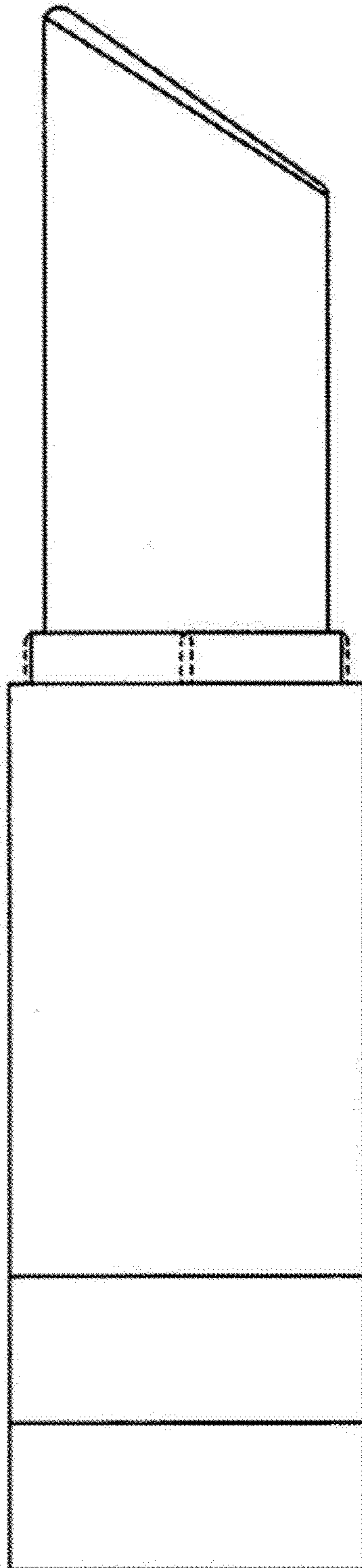


FIG 1.5

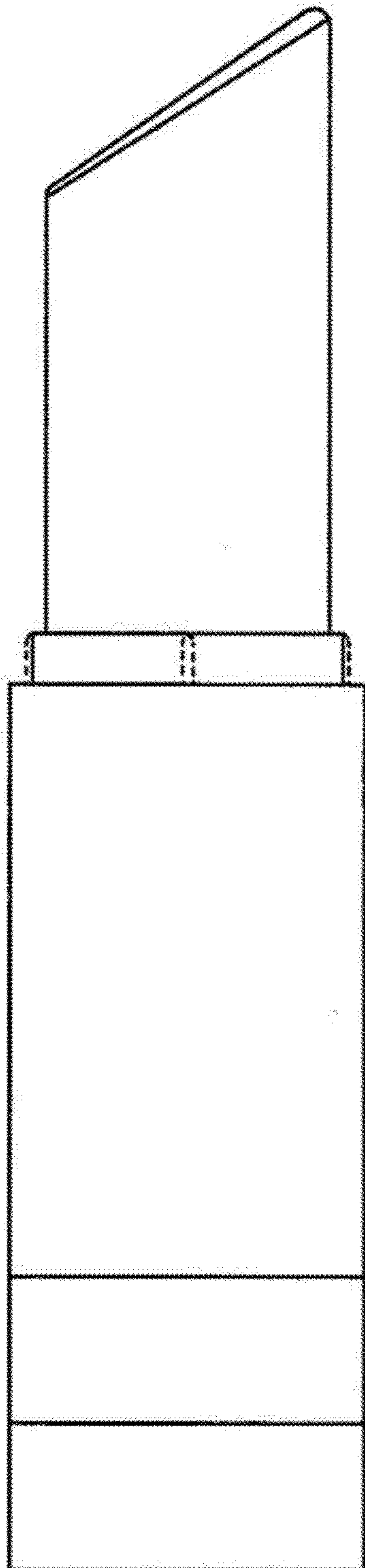


FIG 1.6

