



US00D843591S

(12) **United States Design Patent**  
**Niehausen**

(10) **Patent No.:** **US D843,591 S**  
(45) **Date of Patent:** **\*\* Mar. 19, 2019**

(54) **PACIFIER**

(71) Applicant: **William Niehausen**, Dalton, WI (US)

(72) Inventor: **William Niehausen**, Dalton, WI (US)

(\*\*) Term: **15 Years**

(21) Appl. No.: **29/591,035**

(22) Filed: **Jan. 16, 2017**

(51) **LOC (11) Cl.** ..... **24-04**

(52) **U.S. Cl.**  
USPC ..... **D24/195**

(58) **Field of Classification Search**  
USPC ..... D24/117, 193, 194, 195, 196, 199  
CPC ..... A61J 17/001; A61J 17/02  
See application file for complete search history.

(56) **References Cited**

**U.S. PATENT DOCUMENTS**

1,942,328	A *	1/1934	Fraim	.....	E05B 67/24 70/38 C
D245,790	S *	9/1977	Meeker	.....	D24/195
D267,116	S	11/1982	Bubelis		
D269,461	S	6/1983	Qually		
4,419,873	A *	12/1983	Sopko	.....	E05B 67/38 70/38 A
D380,836	S	7/1997	Fitzpatrick et al.		
D398,513	S *	9/1998	Turner	.....	D8/346
5,908,440	A *	6/1999	McCloskey	.....	A61J 17/02 606/234
D443,932	S	6/2001	Wickerman		
D450,126	S	11/2001	Fitzpatrick et al.		
D521,646	S *	5/2006	Mann	.....	D24/195
D671,652	S	11/2012	Middleton		
D683,611	S *	6/2013	Walter	.....	D8/334
D693,931	S *	11/2013	Paisis	.....	D24/195
D720,078	S *	12/2014	Wampold	.....	D24/195

D728,113	S *	4/2015	Wampold	.....	D24/195
9,784,016	B1 *	10/2017	Cabral Herrera	...	E05B 47/0012
D801,779	S *	11/2017	De Vries	.....	D8/334

**OTHER PUBLICATIONS**

“Padlock Dummy stock image.” Found online Sep. 26, 2018 at www.dreamstime.com. Image dated Oct. 12, 2014. Retrieved from URL: <https://www.dreamstime.com/stock-photo-padlock-dummy-baby-attached-to-hanging-string-image53972661> (Year: 2014).\*  
“Zazzle—Locking Pacifiers.” Found online Sep. 26, 2018 at www.zazzle.com. No Verifiable Date. Retrieved from URL: <https://www.zazzle.com/locking+pacifiers> (Year: 2018).\*

\* cited by examiner

*Primary Examiner* — Garth Rademaker  
*Assistant Examiner* — Katelin G Kloberg  
(74) *Attorney, Agent, or Firm* — Global Intellectual Property Agency, LLC; Daniel Boudwin

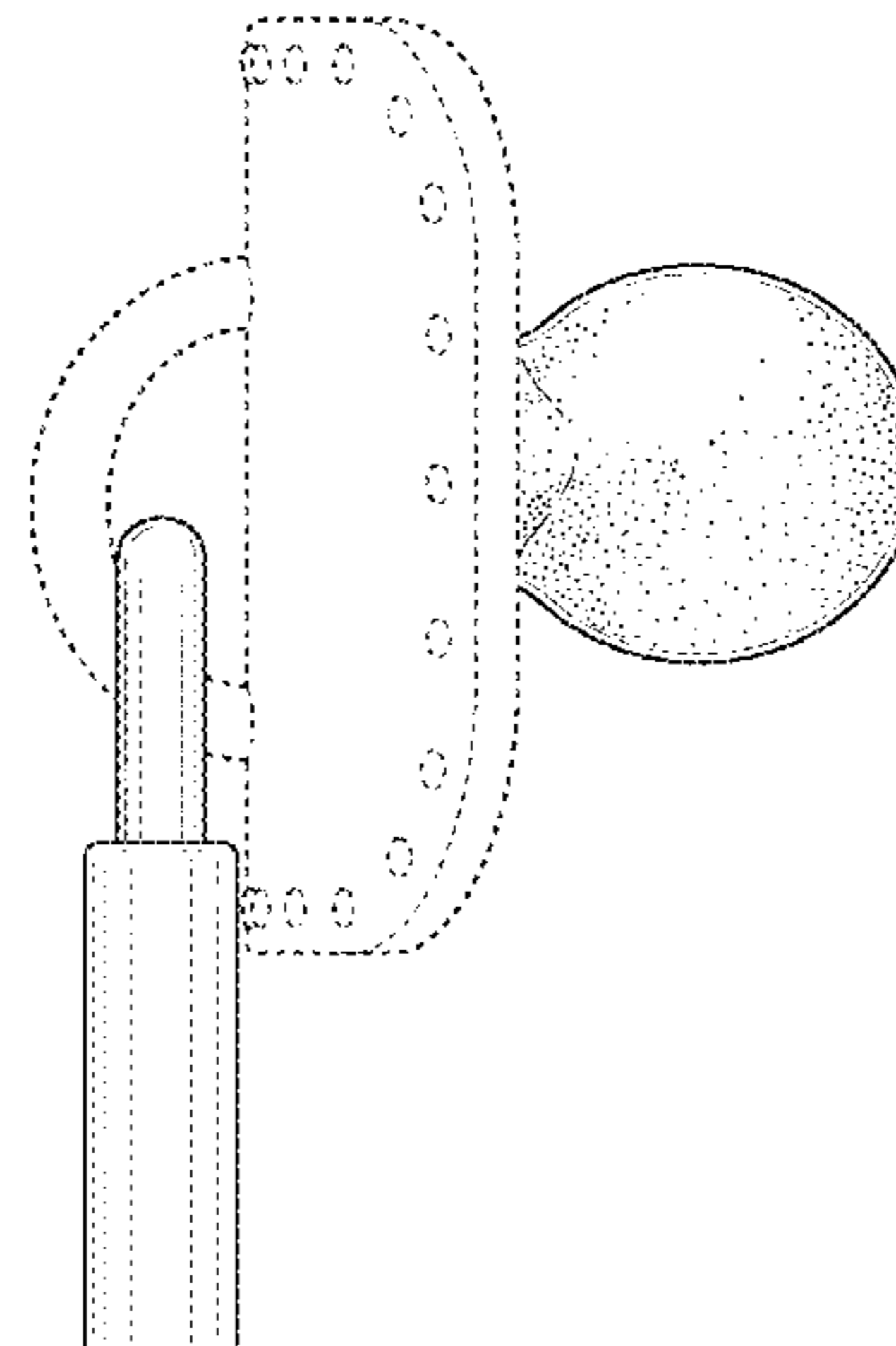
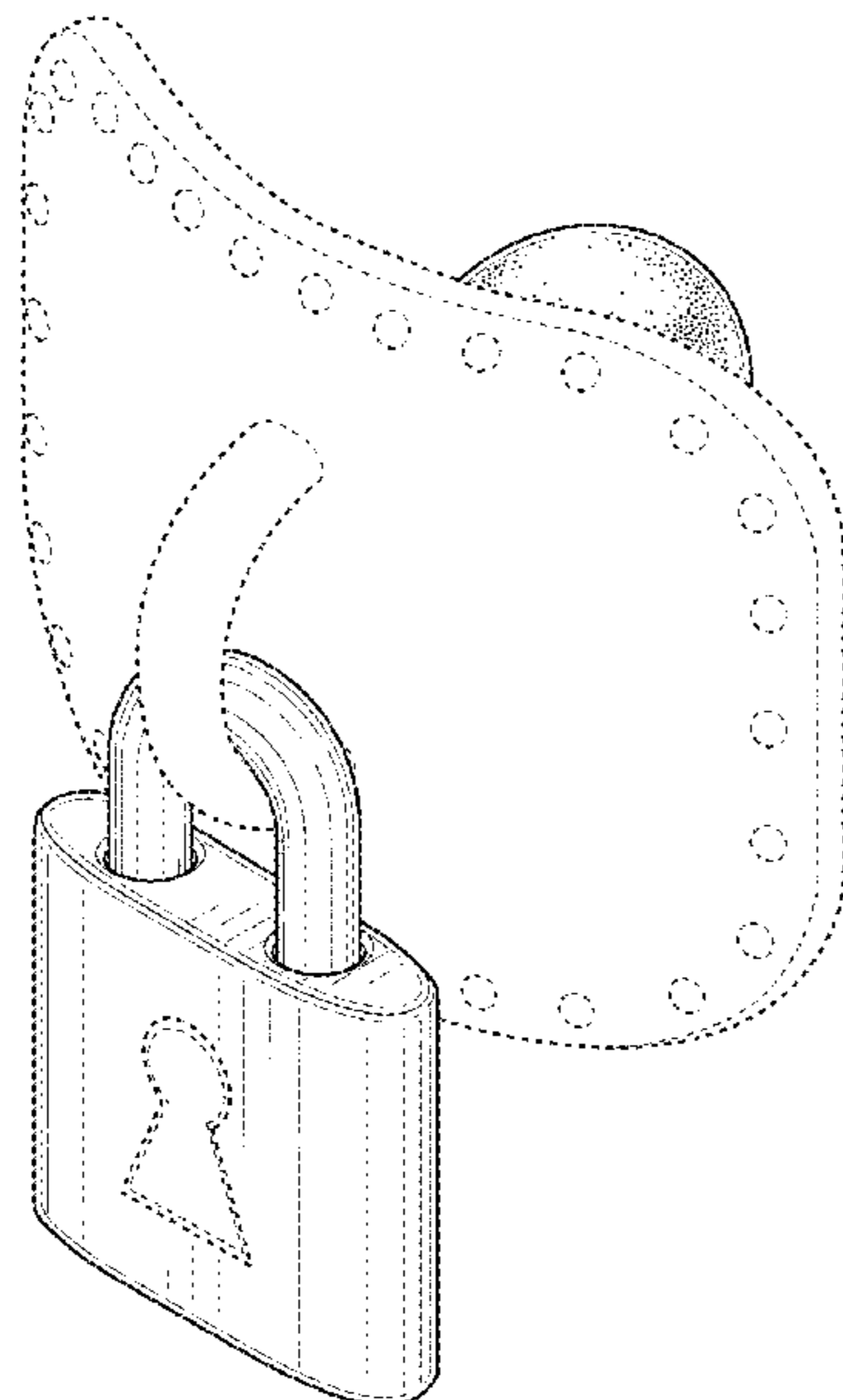
(57) **CLAIM**

The ornamental design for a pacifier, as shown and described.

**DESCRIPTION**

FIG. 1 is a perspective view of a pacifier, showing my new design;  
FIG. 2 is a right side elevation view thereof;  
FIG. 3 is a left side elevation view thereof;  
FIG. 4 is a top plan view thereof;  
FIG. 5 is a bottom plan view thereof;  
FIG. 6 is a front elevation view thereof; and,  
FIG. 7 is a rear elevation view thereof.  
The broken lines shown in the Figures show portions of the pacifier which form no part of the claimed design.

**1 Claim, 4 Drawing Sheets**



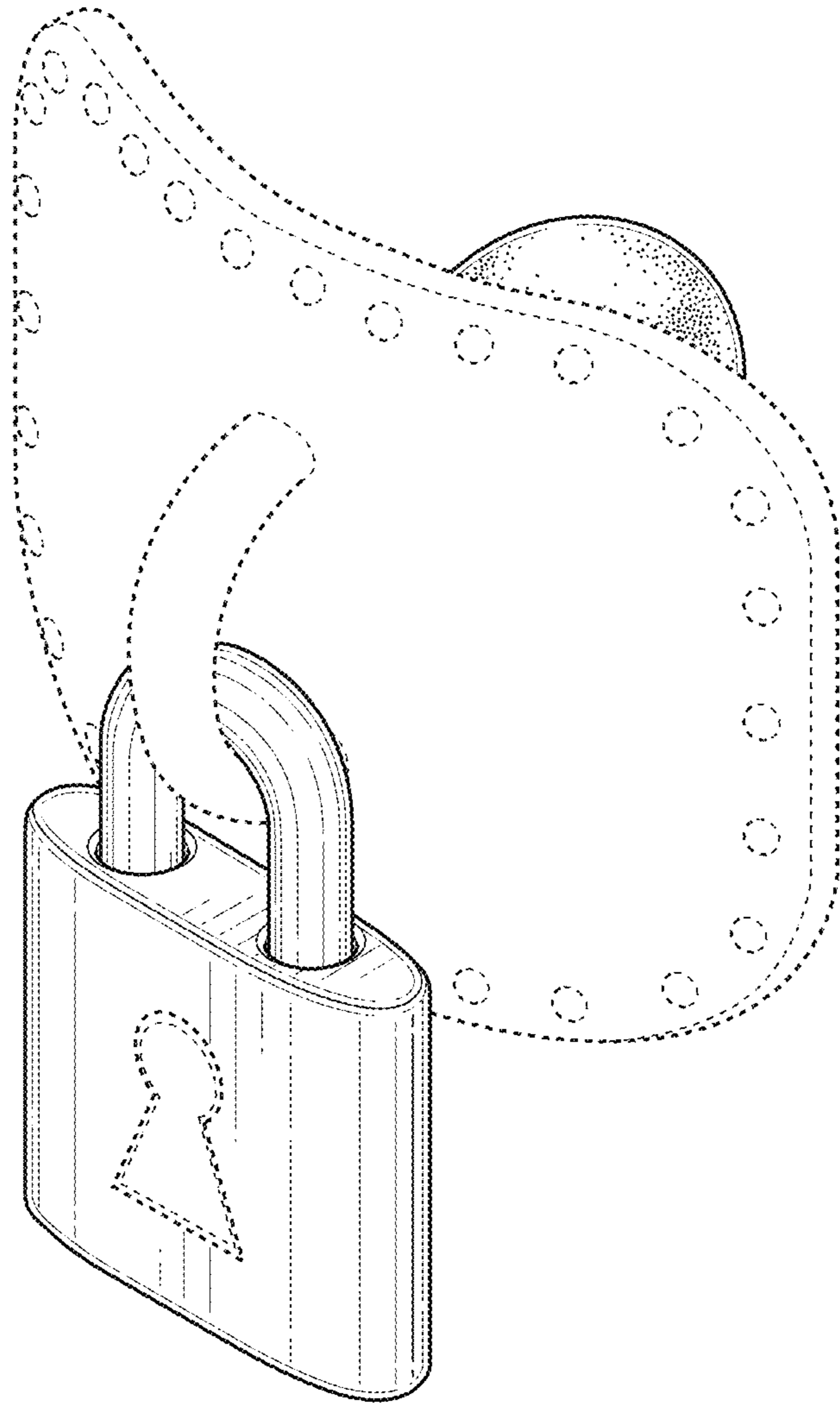


FIG. 1

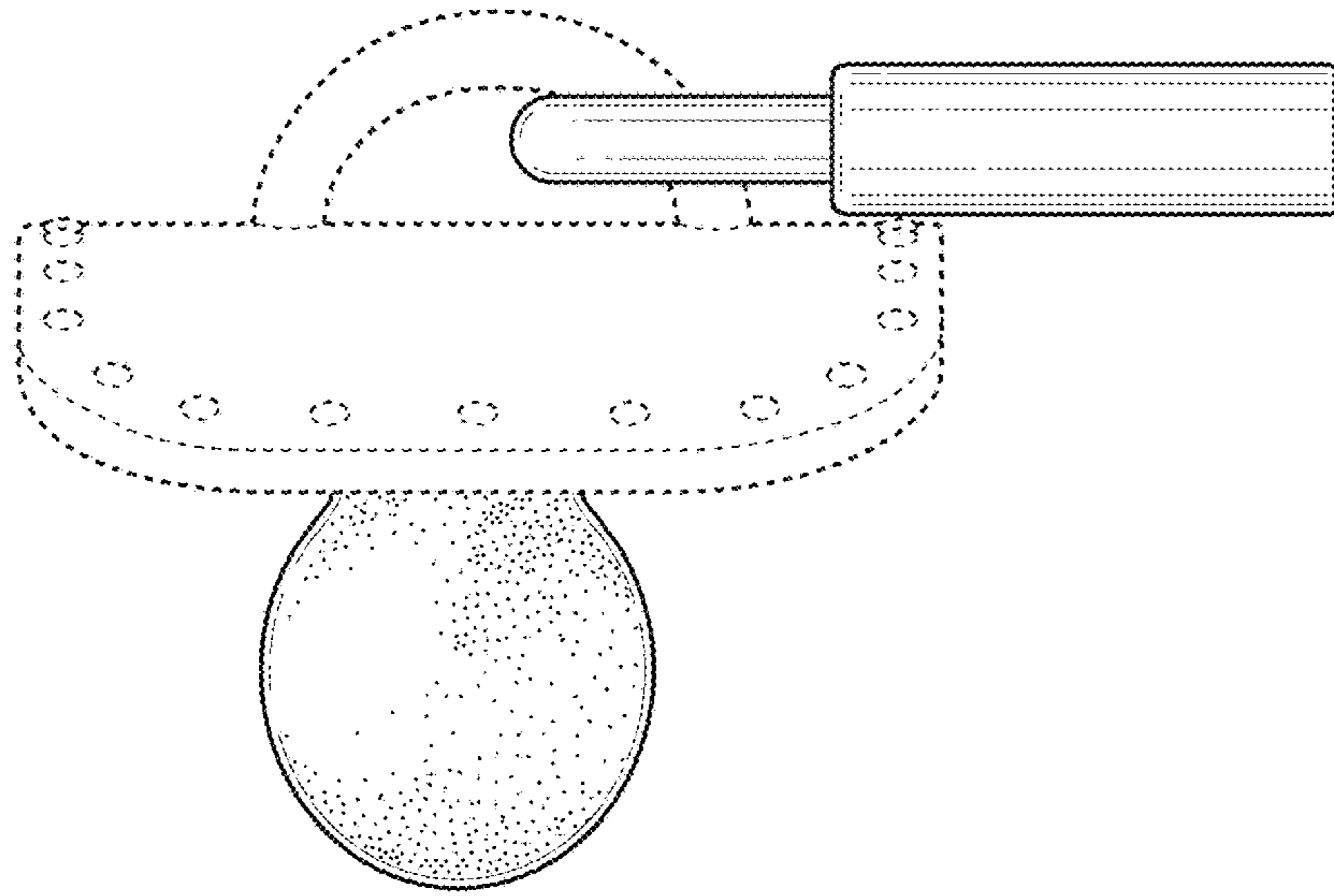


FIG. 2

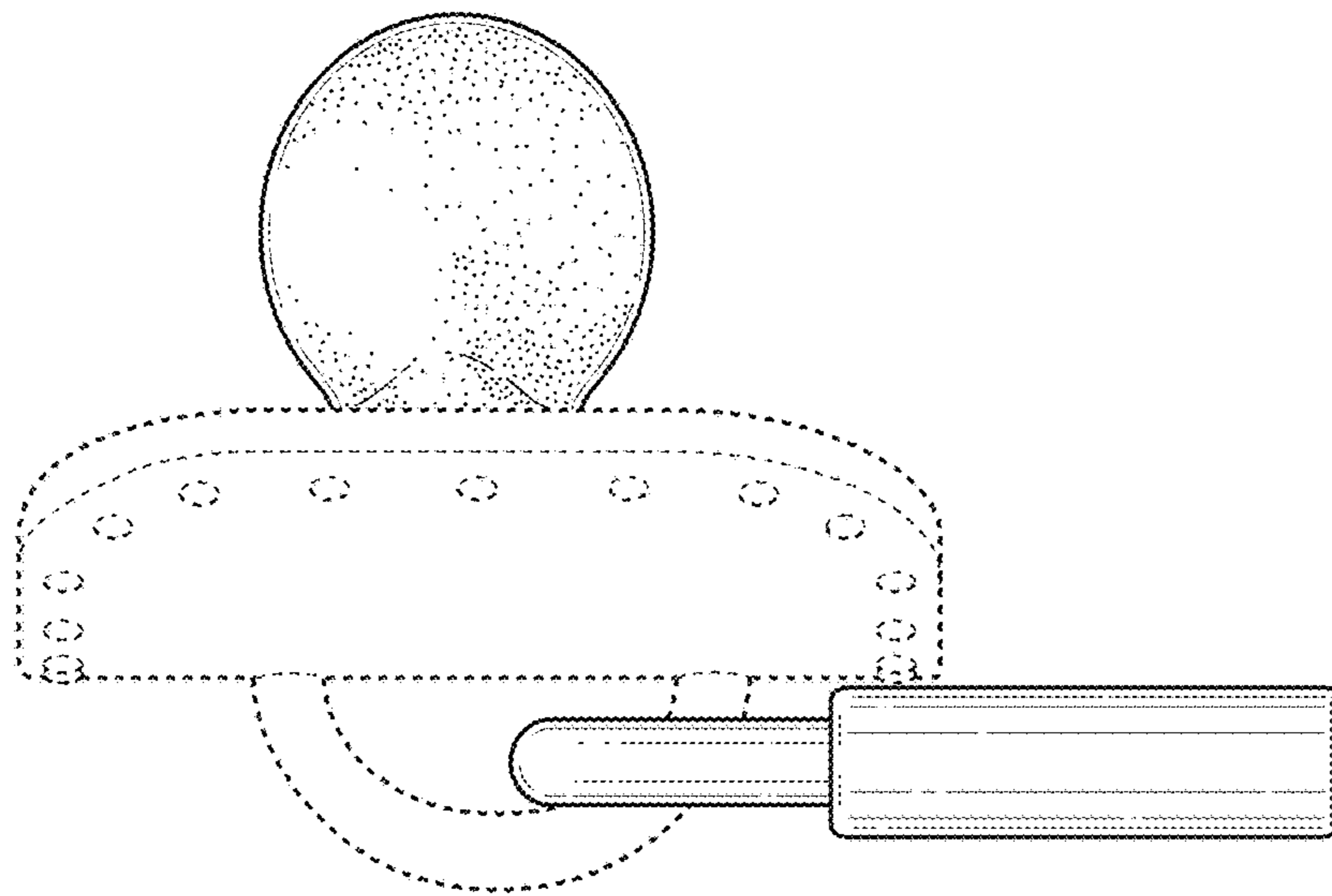


FIG. 3

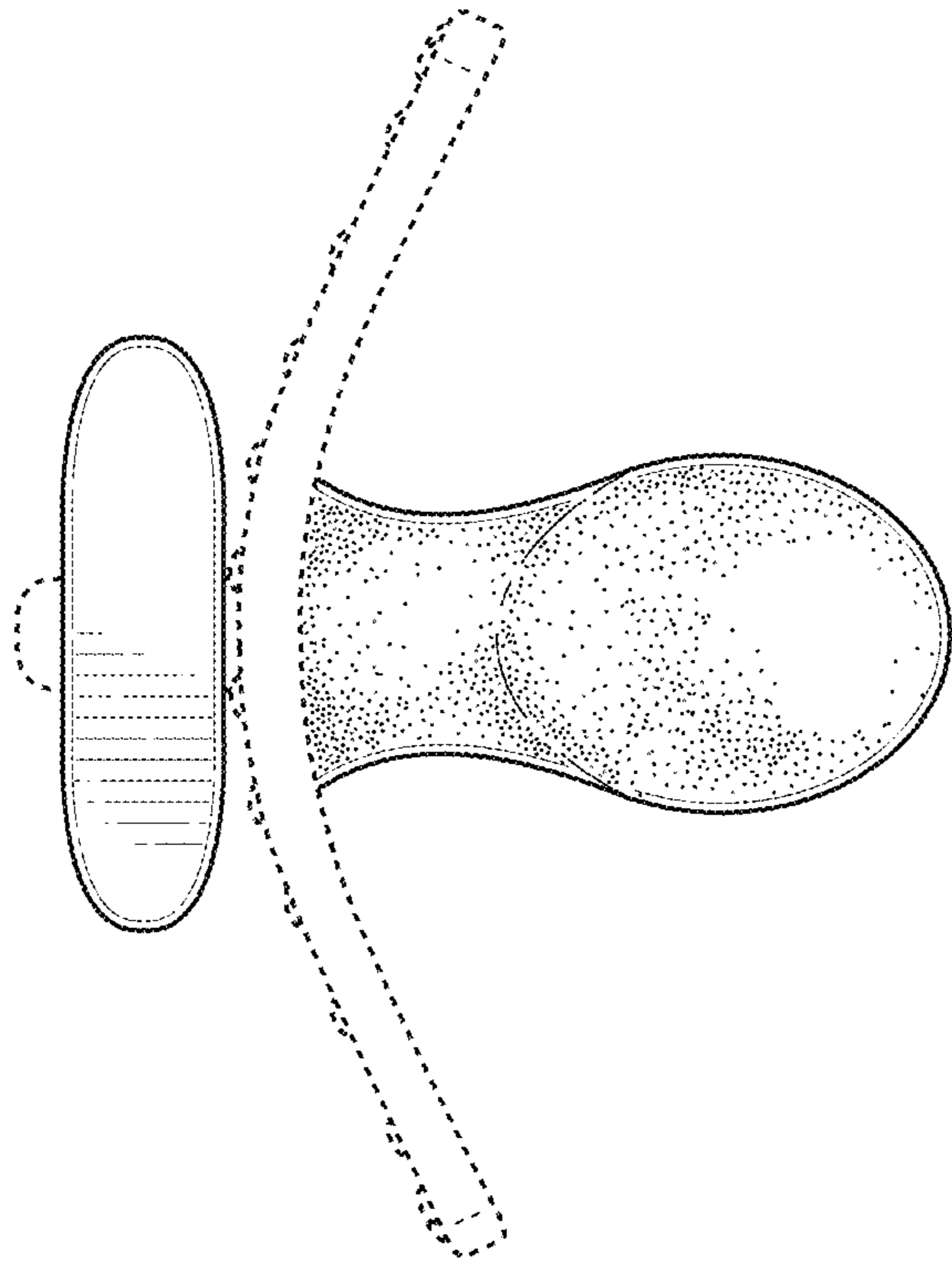


FIG. 4

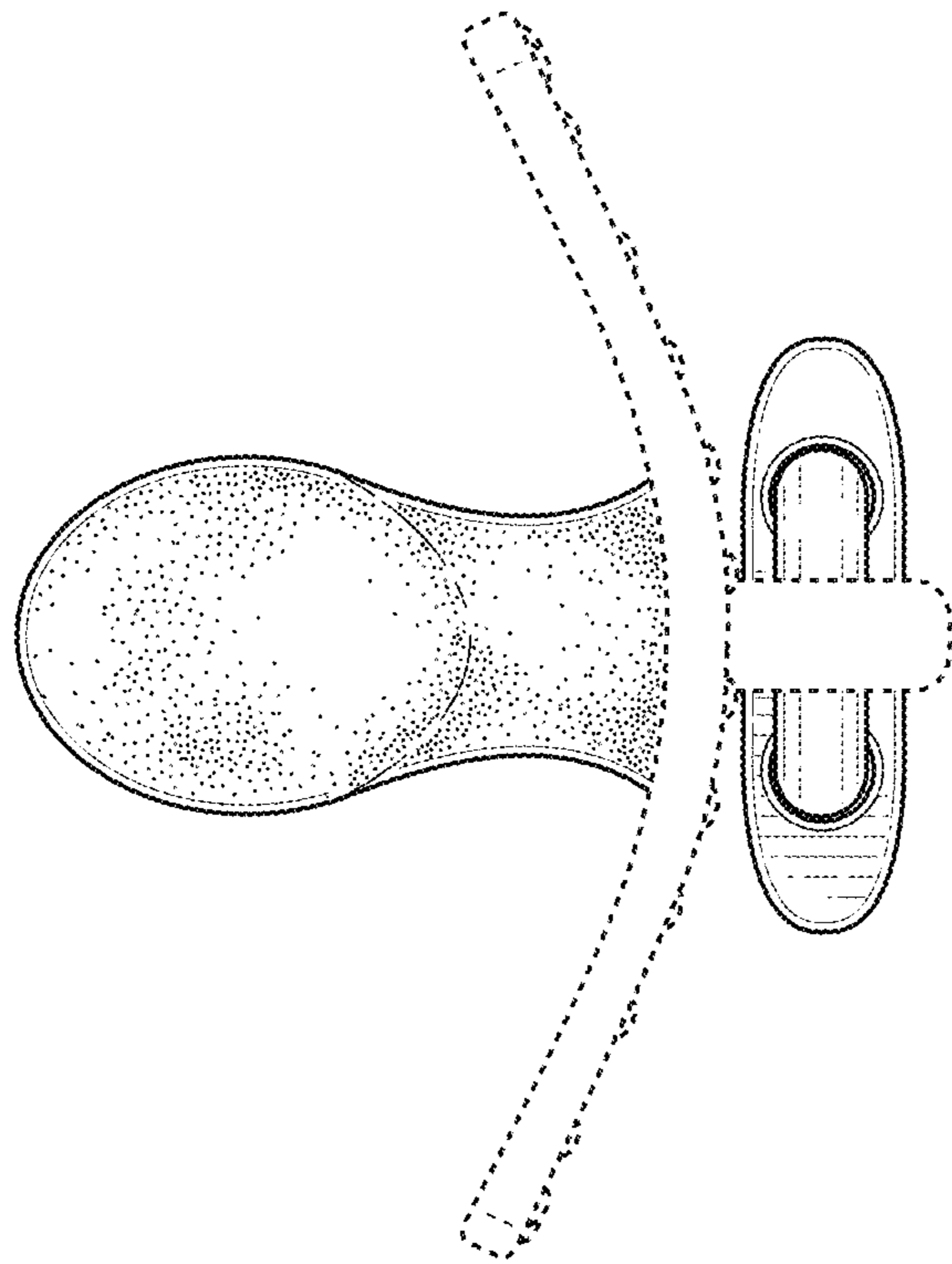


FIG. 5

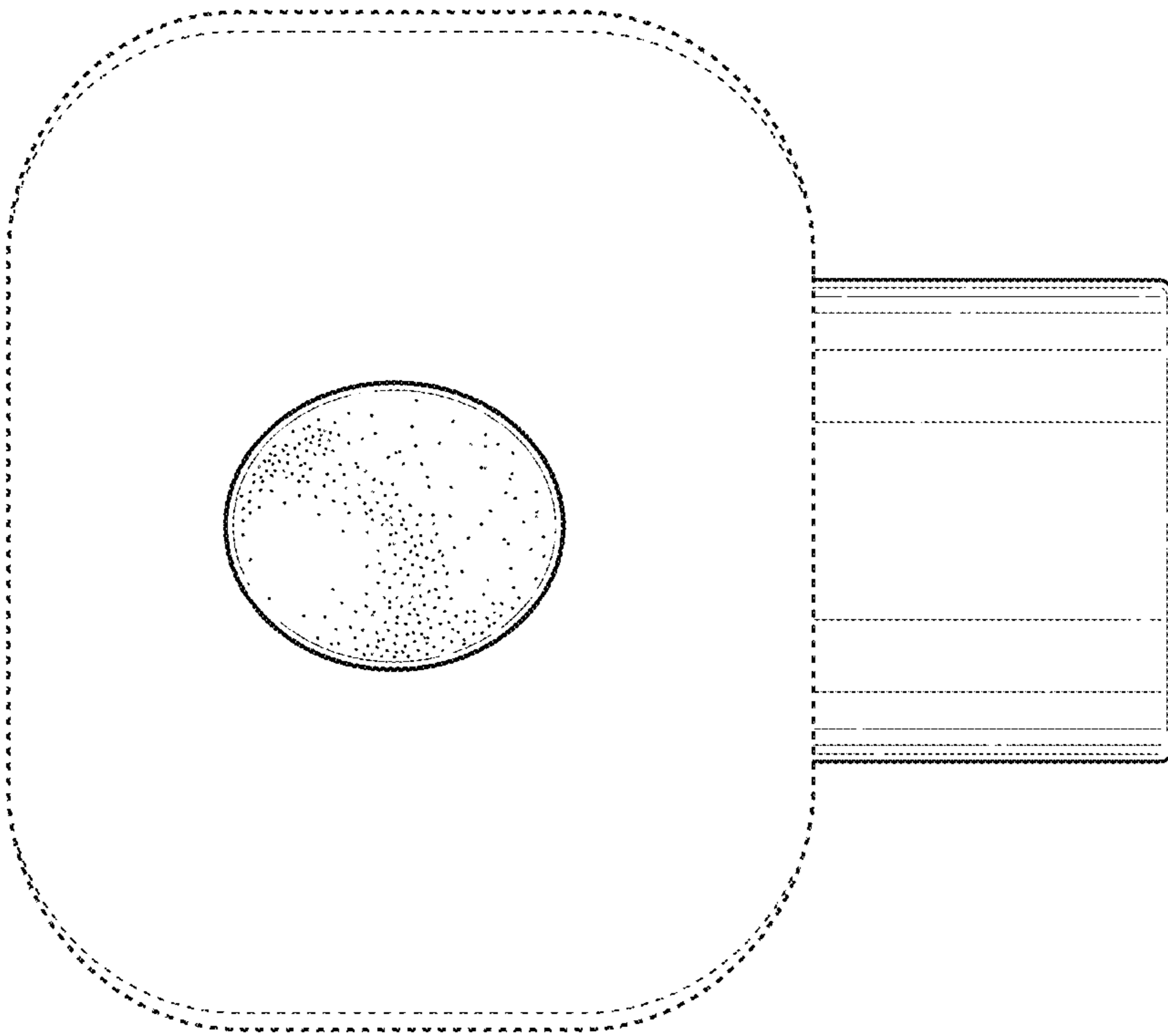


FIG. 7

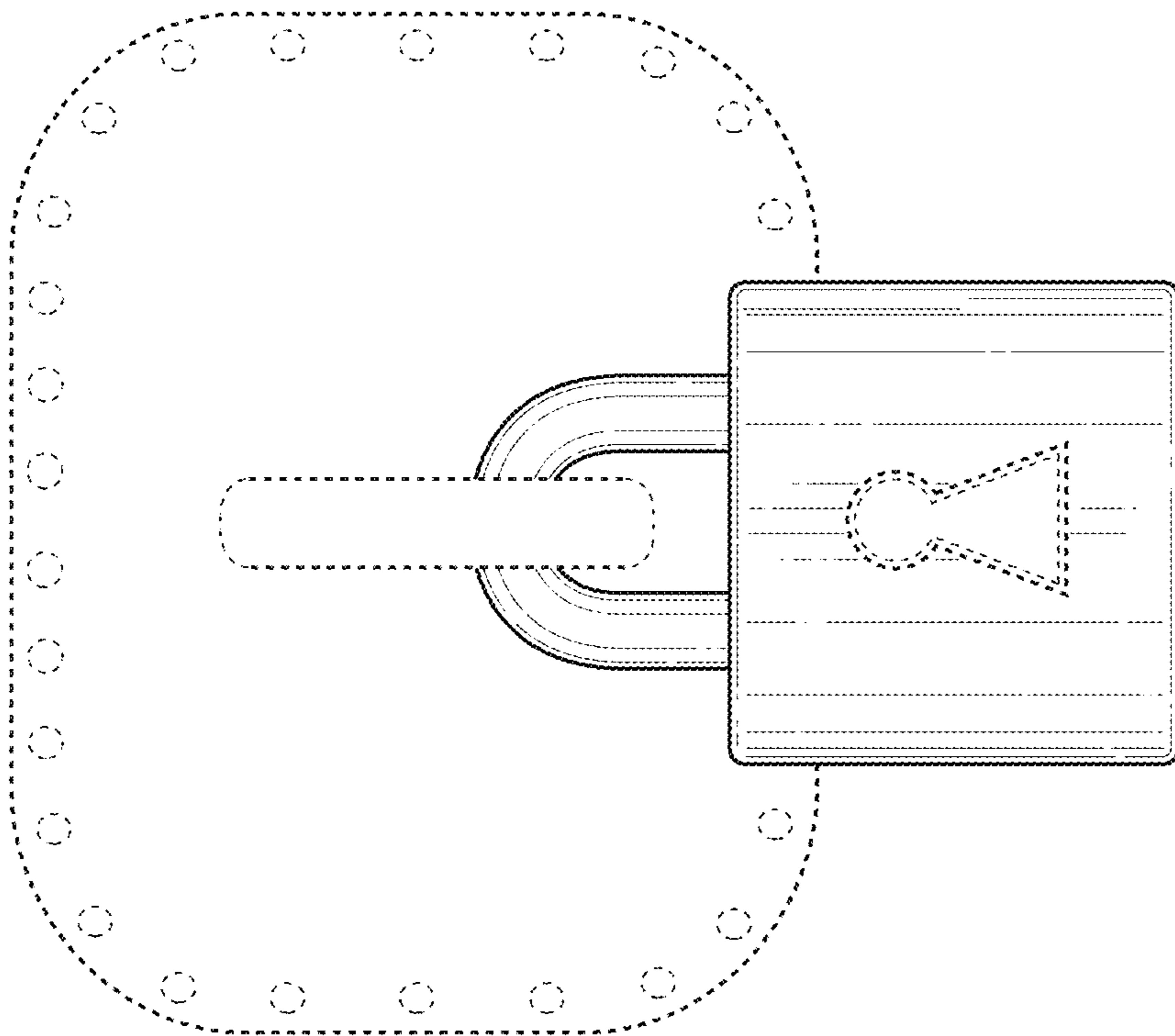


FIG. 6