



US00D843585S

(12) **United States Design Patent**  
**Wu et al.**

(10) **Patent No.:** **US D843,585 S**  
(45) **Date of Patent:** **\*\* Mar. 19, 2019**

- (54) **MEDICAL DEVICE CONSOLE**
- (71) Applicant: **General Electric Company**,  
Schenectady, NY (US)
- (72) Inventors: **Yue Wu**, Wuxi (CN); **Stephane Graziani**, Buc (FR); **Aurelie Boudier**,  
Buc (FR); **Linbo Yang**, Wuxi (CN);  
**Erisen Xu**, Wuxi (CN); **Lanping Liu**,  
Wuxi (CN)
- (73) Assignee: **General Electric Company**,  
Schenectady, NY (US)
- (\*\*) Term: **15 Years**
- (21) Appl. No.: **29/633,899**
- (22) Filed: **Jan. 17, 2018**
- (51) **LOC (11) Cl.** ..... **24-01**
- (52) **U.S. Cl.**  
USPC ..... **D24/186; D24/160**
- (58) **Field of Classification Search**  
USPC ..... D24/152, 158, 160, 161, 185, 186, 187,  
D24/231; D14/315, 318  
CPC ... A61B 6/4405; A61B 6/4411; A61B 6/4435;  
A61B 6/4441; A61B 6/4447; A61B  
8/4405; A61B 8/4411; A61B 8/4427;  
A61B 8/462; A61B 8/0437; A61B 8/0883  
See application file for complete search history.

D713,035 S *	9/2014	Kim	.....	D24/158
D728,790 S *	5/2015	Kim	.....	D24/158
D728,791 S *	5/2015	Ninomiya	.....	D24/158
D743,558 S *	11/2015	Kim	.....	D24/158
D804,673 S *	12/2017	Shin	.....	D24/186
D825,763 S *	8/2018	Lim	.....	D24/160
2007/0270694 A1 *	11/2007	Pelissier	.....	A61B 8/4405 600/443

\* cited by examiner

*Primary Examiner* — Anhdao Doan

(57) **CLAIM**

The ornamental design for a medical device console, as shown and described.

**DESCRIPTION**

FIG. 1 is a right side view of a medical device console, according to the present invention.

FIG. 2 is a left side view of the medical device console of FIG. 1.

FIG. 3 is a top view of the medical device console of FIG. 1.

FIG. 4 is a front view of the medical device console of FIG. 1.

FIG. 5 is a back view of the medical device console of FIG. 1.

FIG. 6 is a bottom perspective view of the medical device console of FIG. 1.

FIG. 7 is a bottom view of the medical device console of FIG. 1; and,

FIG. 8 is a back and right side perspective view of the medical device console of FIG. 1.

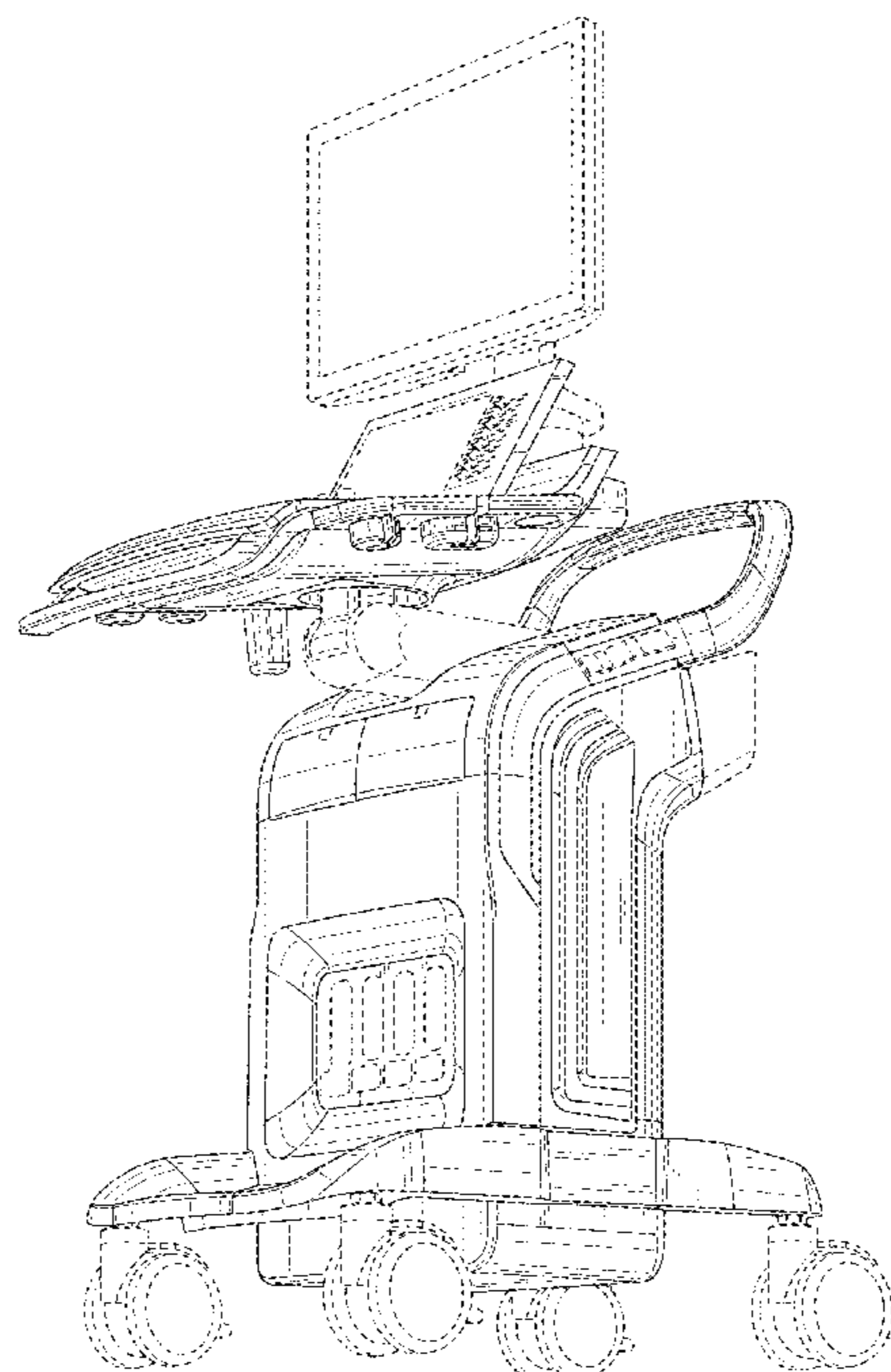
The broken lines in FIGS. 1-8 are included for the purpose of illustrating portions of the medical device console, and form no part of the claimed design.

**1 Claim, 8 Drawing Sheets**

(56) **References Cited**

U.S. PATENT DOCUMENTS

D662,208 S *	6/2012	Otoha	.....	D24/185
D707,359 S *	6/2014	Kim	.....	D24/185
D711,539 S *	8/2014	Hunt	.....	D24/158



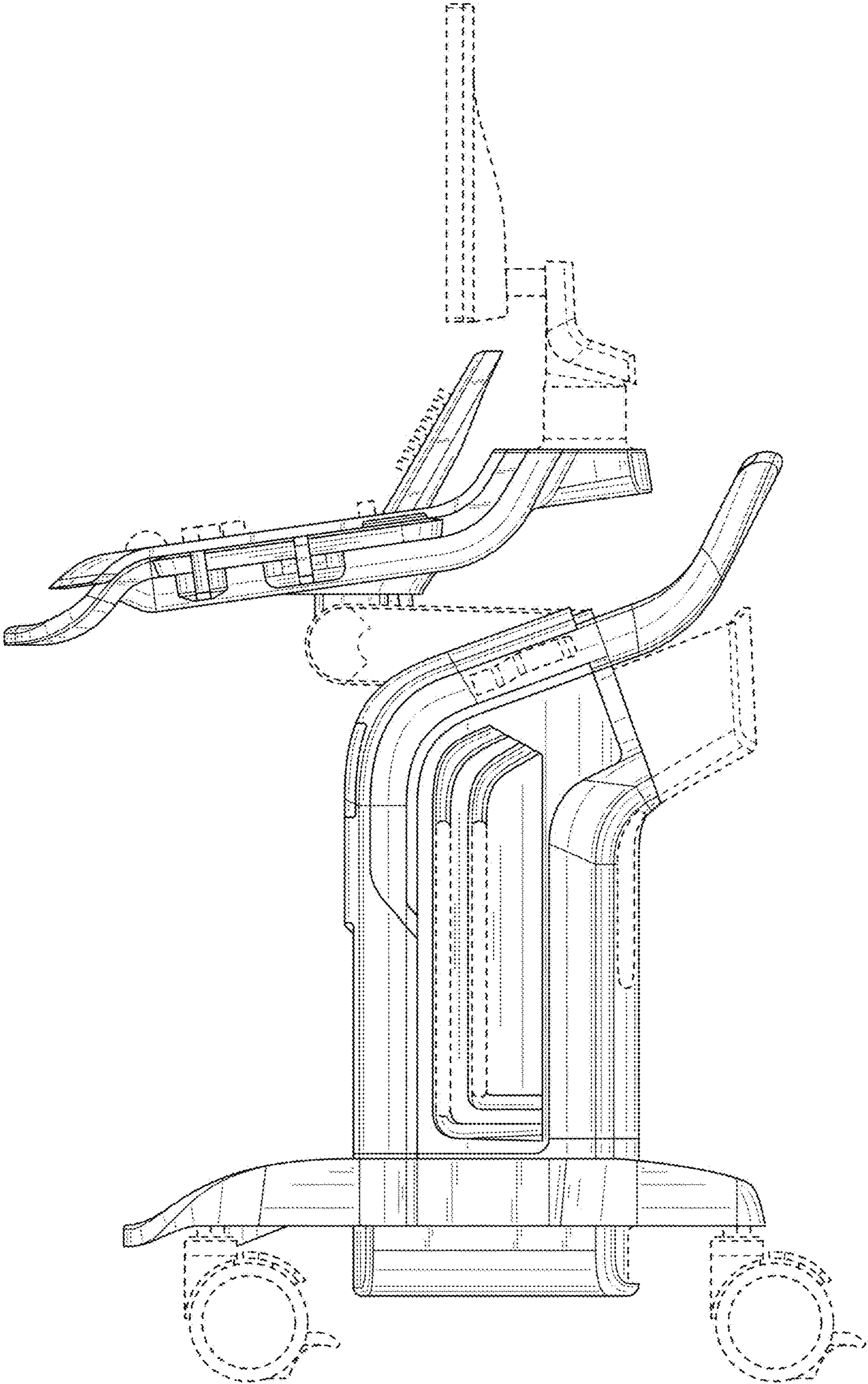


FIG. 1

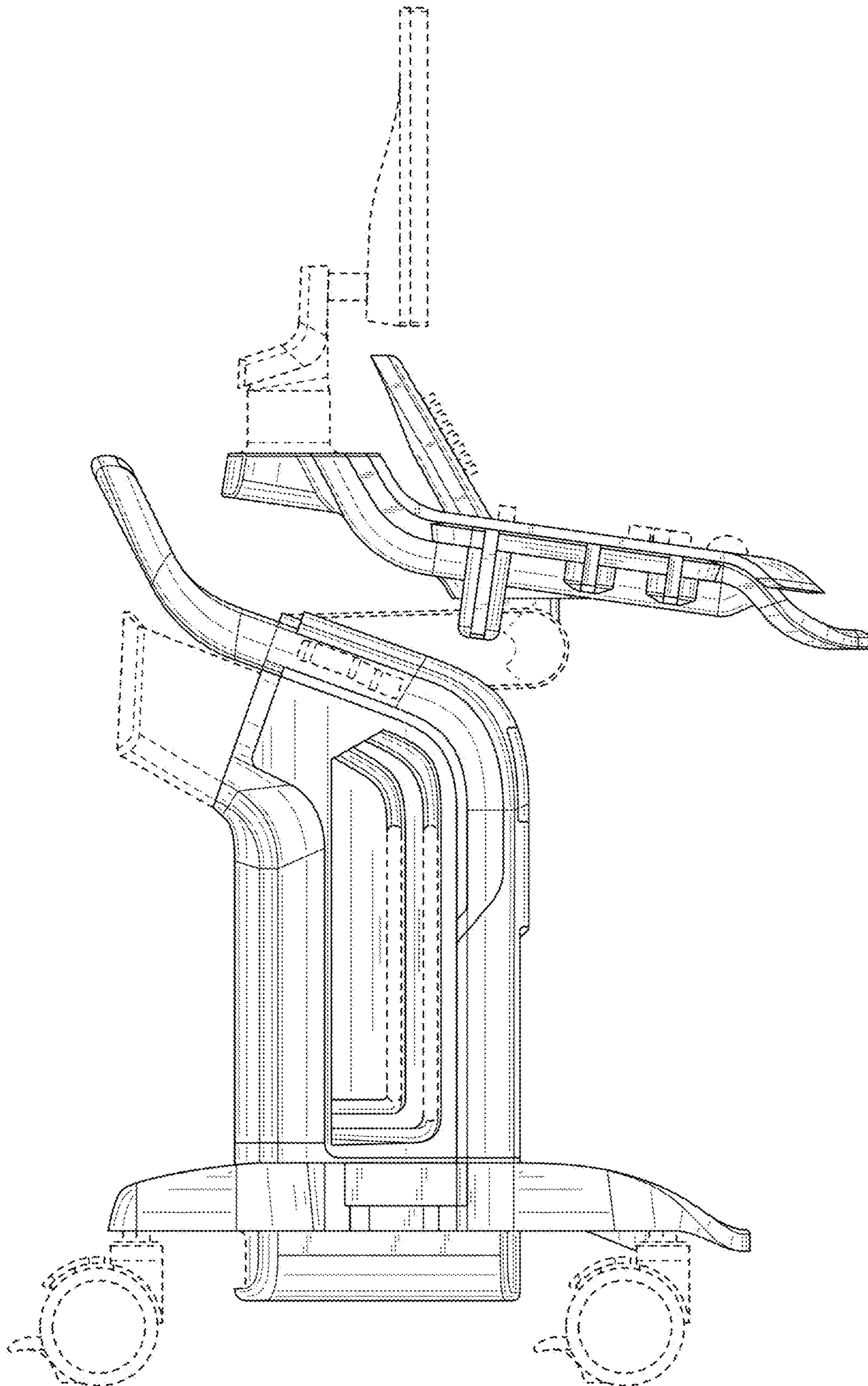


FIG. 2

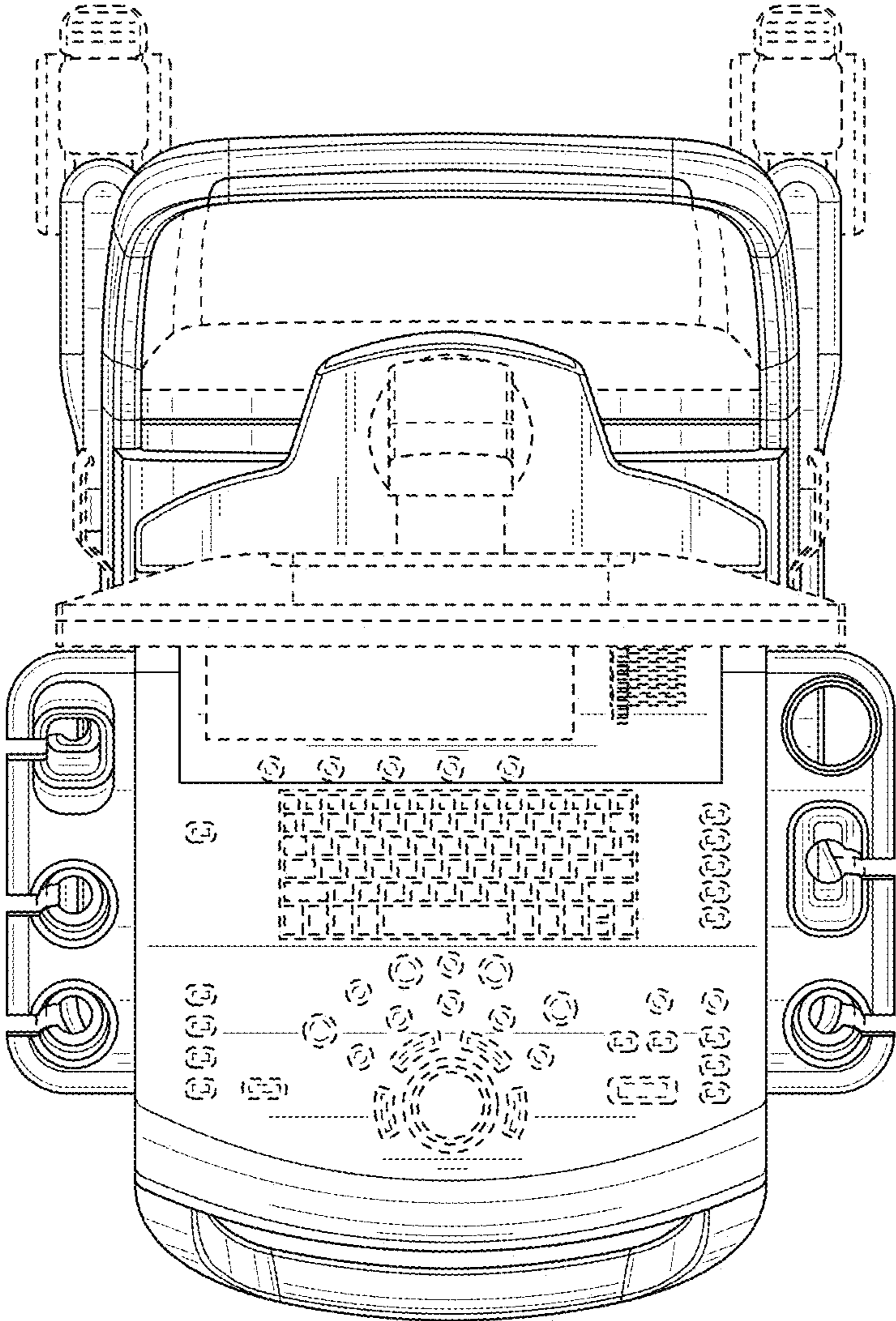


FIG. 3

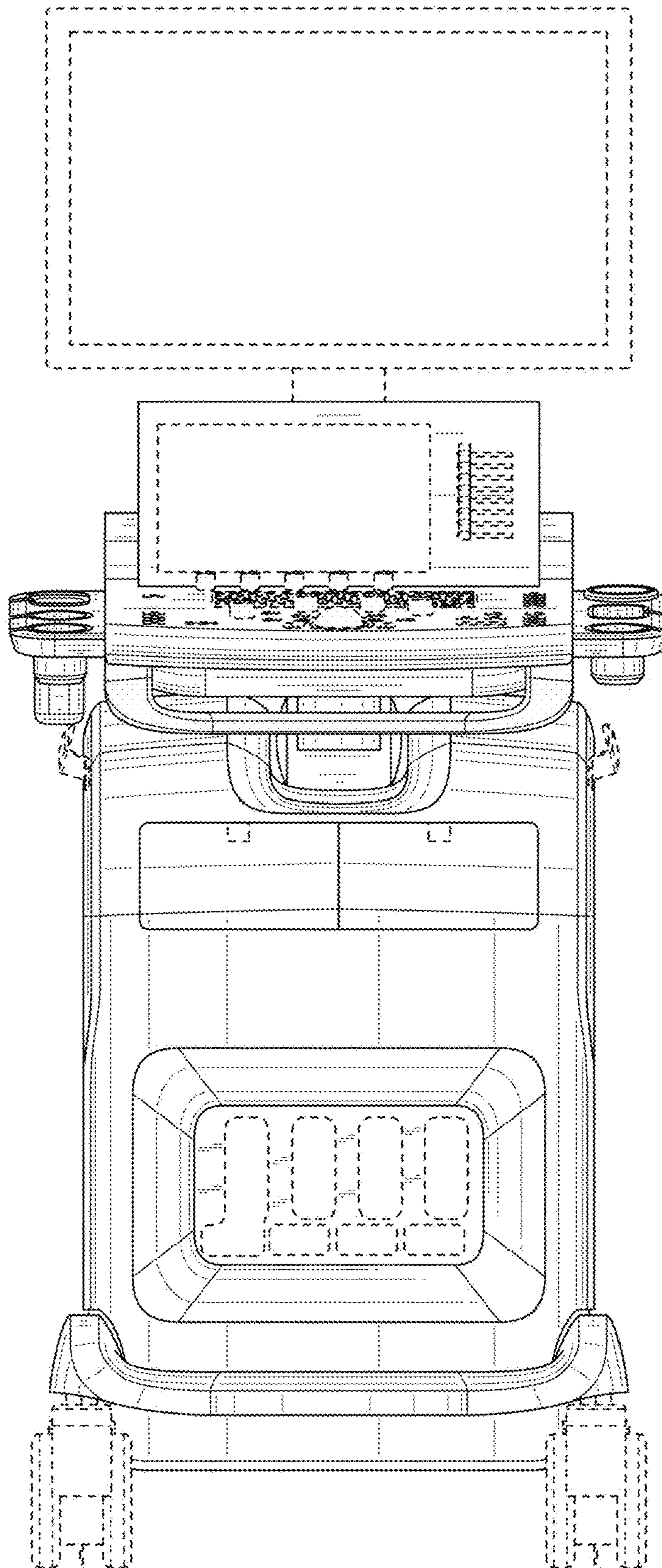


FIG. 4

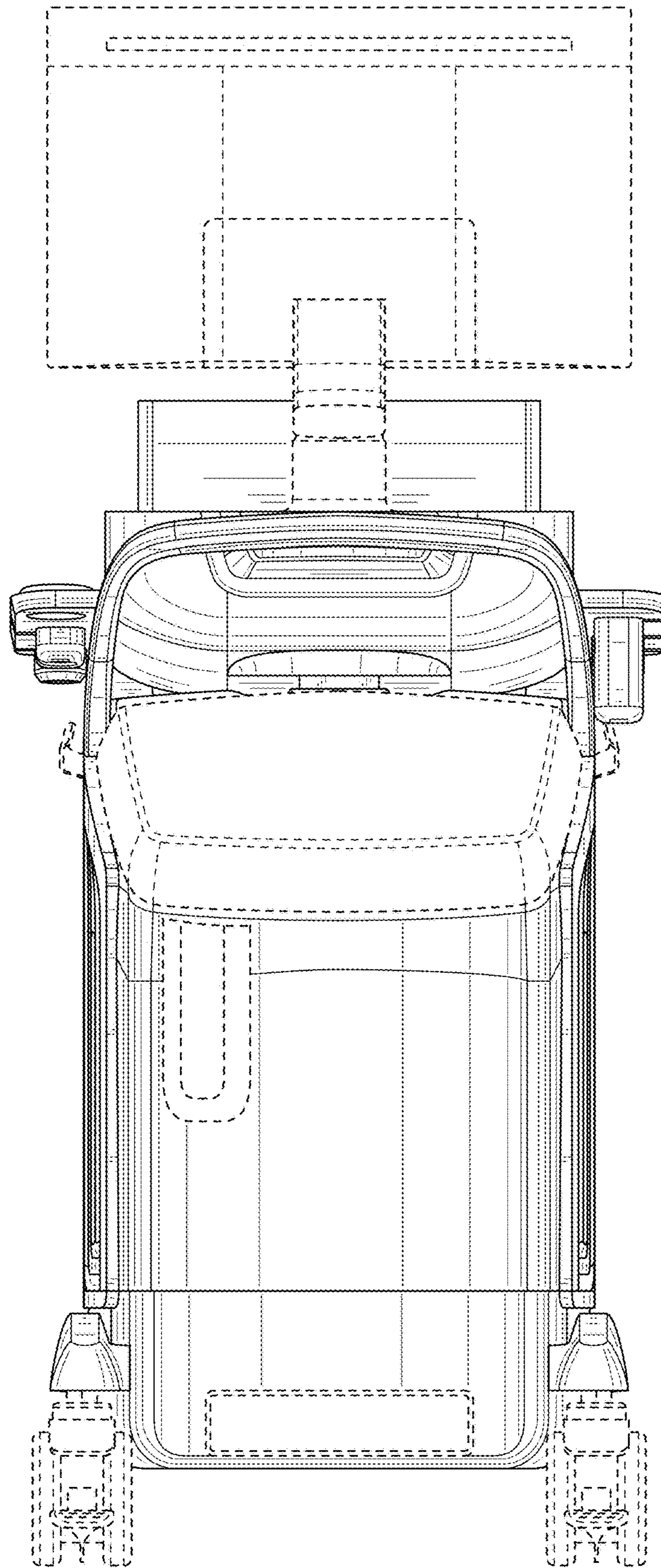


FIG. 5

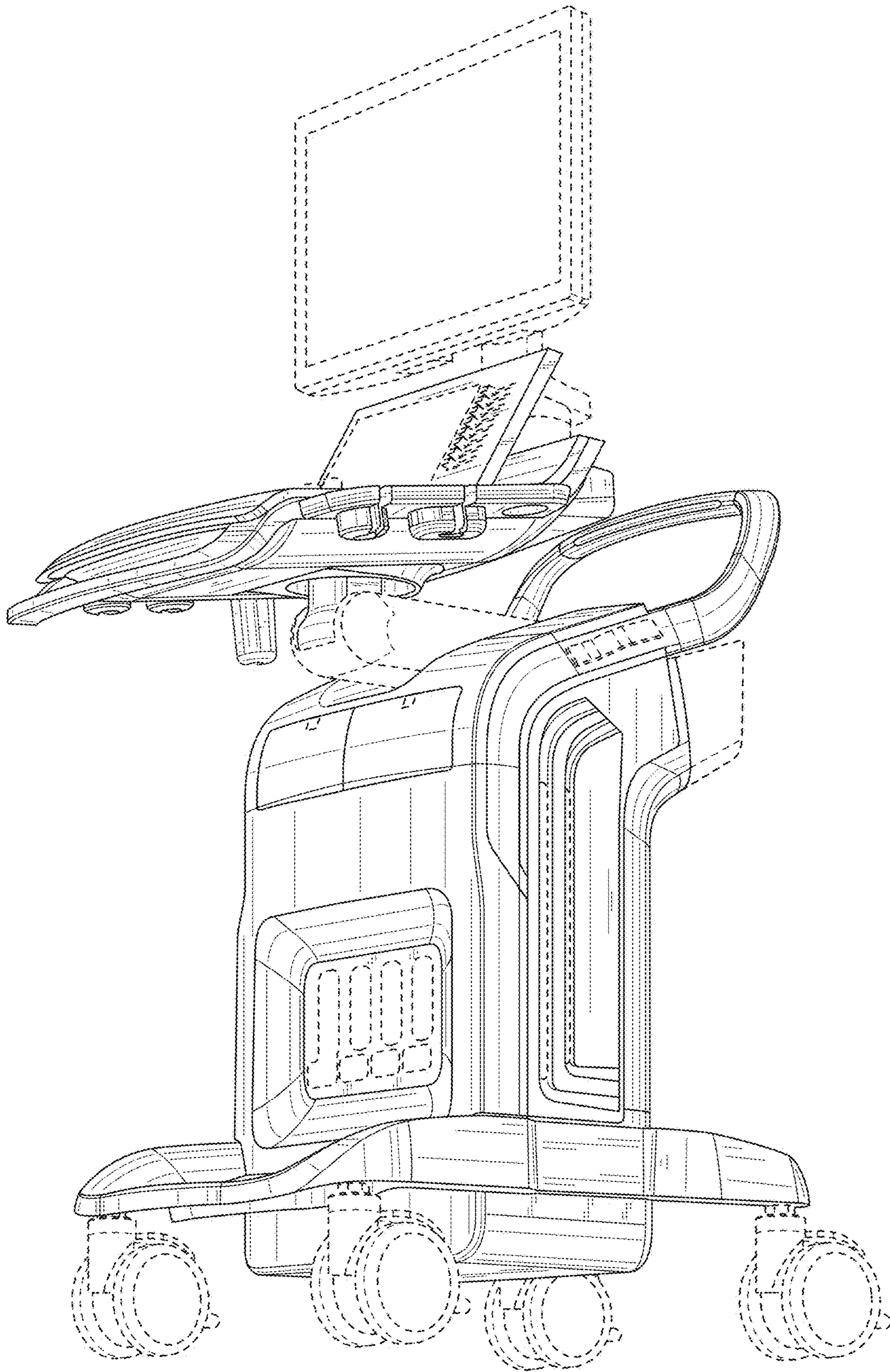


FIG. 6

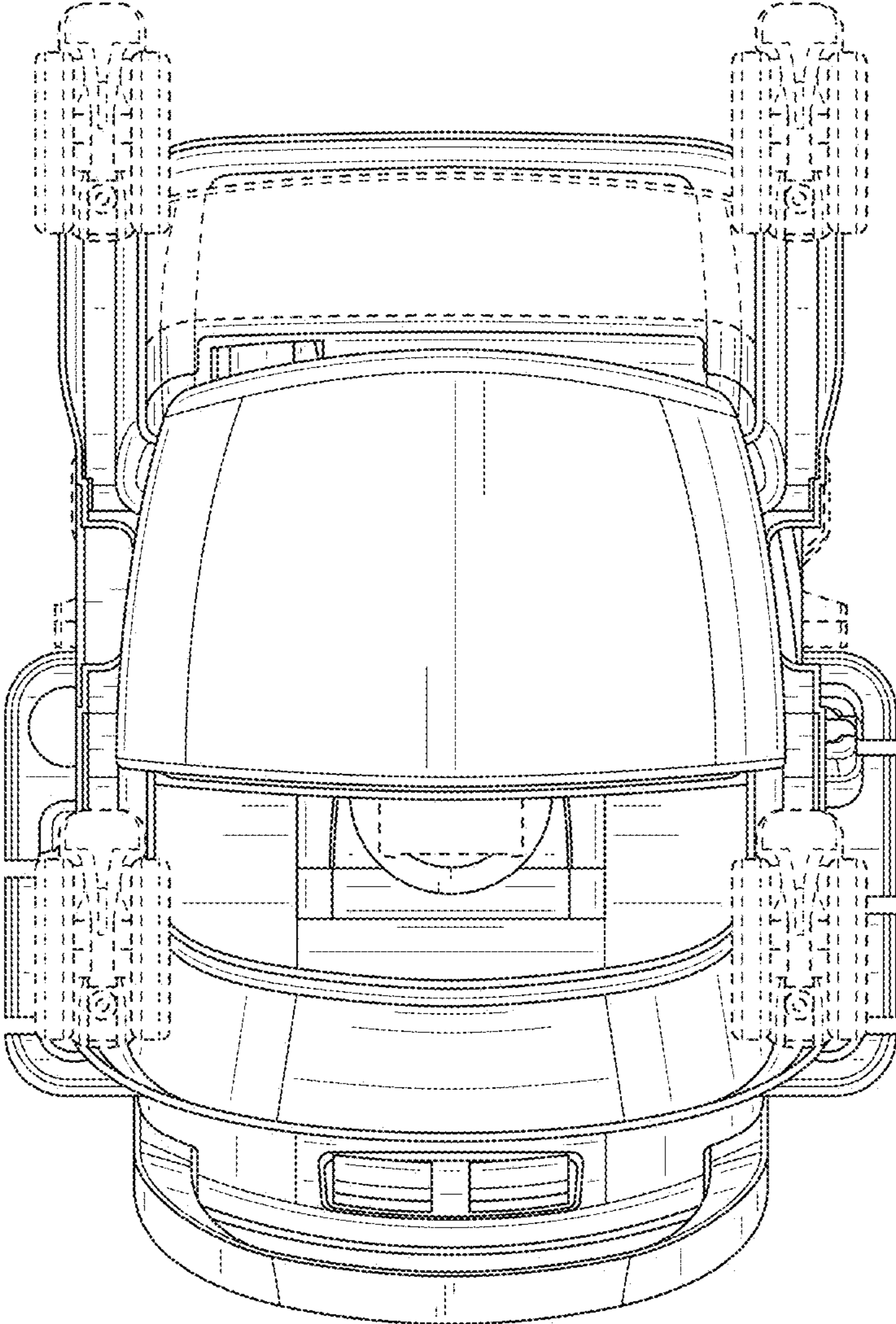


FIG. 7



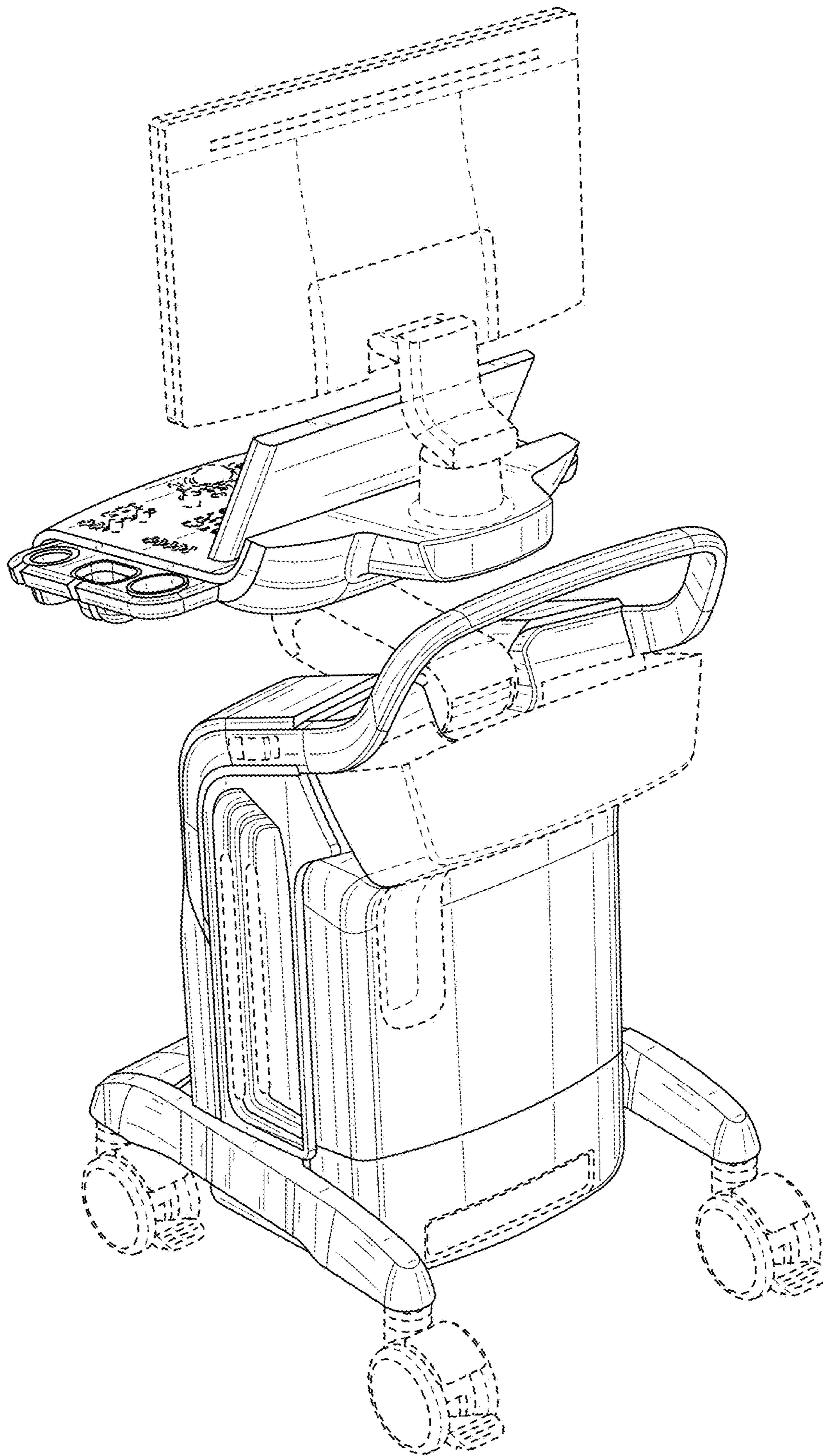


FIG. 8