



US00D843584S

(12) **United States Design Patent** (10) **Patent No.:** **US D843,584 S**
Galluseder et al. (45) **Date of Patent:** **** Mar. 19, 2019**

(54) **CONTAINER**

(71) Applicant: **W&H Dentalwerk Bürmoos GmbH**,
Bürmoos (AT)

(72) Inventors: **Florian Galluseder**, Tarsdorf (AT);
Jürgen Meburger, Lamprechtshausen
(AT); **Johann Eibl**, Mattighofen (AT)

(73) Assignee: **W&H Dentalwerk Bürmoos GmbH**,
Bürmoos (AT)

(**) Term: **15 Years**

(21) Appl. No.: **29/610,306**

(22) Filed: **Jul. 11, 2017**

(51) **LOC (11) Cl.** **24-02**

(52) **U.S. Cl.**
USPC **D24/176**

(58) **Field of Classification Search**
USPC D24/176–178, 231–232, 216, 224,
D24/184–185; D9/447, 523, 542;
422/547, 565; D10/81

(Continued)

(56) **References Cited**

U.S. PATENT DOCUMENTS

D358,660 S * 5/1995 Swift D9/523
D438,953 S * 3/2001 Frank D24/176

(Continued)

FOREIGN PATENT DOCUMENTS

DE 8508940 10/1987
DE 29902967 6/1999

(Continued)

OTHER PUBLICATIONS

European Search Report for EP16200129 (dated May 5, 2017).

Primary Examiner — Wan Laymon

(74) *Attorney, Agent, or Firm* — Klarquist Sparkman,
LLP

(57) **CLAIM**

We claim the ornamental design for a container, as shown
and described.

DESCRIPTION

FIG. 1 is a front, a left side and a top perspective view of a
container according to our new design.

FIG. 2 is a left side, a rear and a top perspective view thereof.

FIG. 3 is a rear, a right side and a top perspective view
thereof.

FIG. 4 is a right side, a rear and a top perspective view
thereof.

FIG. 5 is a bottom, a right side and a rear perspective view
thereof.

FIG. 6 is a top, a rear and a left side perspective view thereof.

FIG. 7 is an enlarged bottom plan view thereof.

FIG. 8 is a front, a left side and a top perspective view of a
second embodiment thereof.

FIG. 9 is a left side, a rear and a top perspective view thereof.

FIG. 10 is a rear, a right side and a top perspective view
thereof.

FIG. 11 is a right side, a rear and a top perspective view
thereof.

FIG. 12 is a bottom, a right side and a rear perspective view
thereof.

FIG. 13 is a top, a rear and a left side perspective view
thereof.

FIG. 14 is an enlarged bottom plan view thereof.

FIG. 15 is a front, a left side and a top perspective view of
a third embodiment thereof, showing the container of the
first embodiment and the container of the second embodi-
ment together.

FIG. 16 is a left side, a rear and a top perspective view
thereof.

FIG. 17 is a rear, a right side and a top perspective view
thereof.

FIG. 18 is a right side, a rear and a top perspective view
thereof.

FIG. 19 is a bottom, a right side and a rear perspective view
thereof.

(Continued)

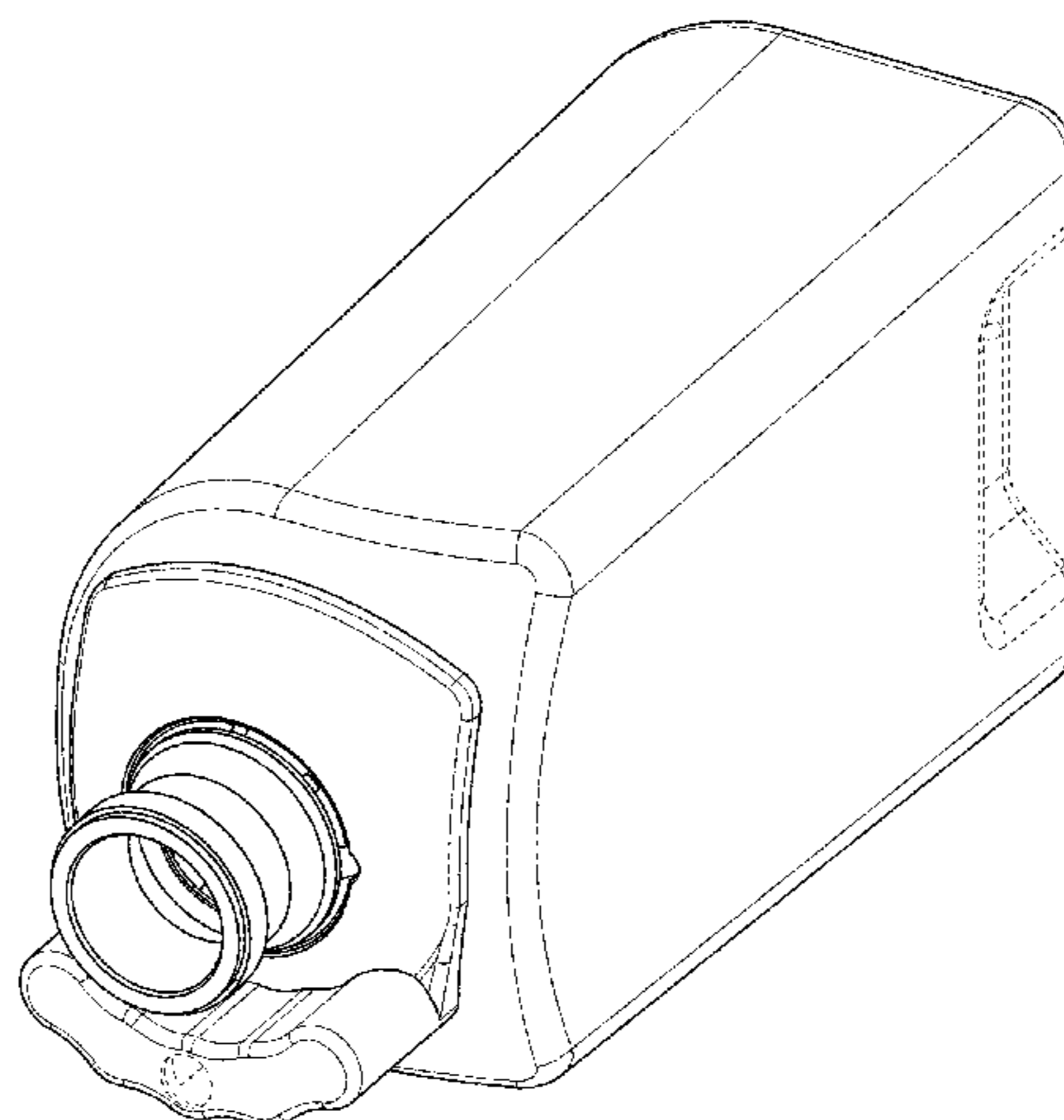


FIG. 20 is a top, a rear and a left side perspective view thereof; and,

FIG. 21 is a plan view thereof showing the bottom.

The broken line showing of hand grip portions at the top and adjacent sides, in FIGS. 5, 7, 12, 14, 19 and 21 of the container form no part of the claimed design.

1 Claim, 21 Drawing Sheets

(58) **Field of Classification Search**

CPC A61J 1/00; A47G 21/184; A61B 50/30;
B65D 83/00; B65D 83/0835; B65D
83/202; B65D 51/12; B65D 1/02; B65D
1/023; B65D 1/0246

See application file for complete search history.

(56) **References Cited**

U.S. PATENT DOCUMENTS

D463,864 S * 10/2002 Treadwell D24/216
D519,209 S * 4/2006 Bublewitz D24/176
D802,770 S * 11/2017 Maissami D24/176

FOREIGN PATENT DOCUMENTS

EP 2684807 1/2014
WO WO2007/073519 6/2007

* cited by examiner

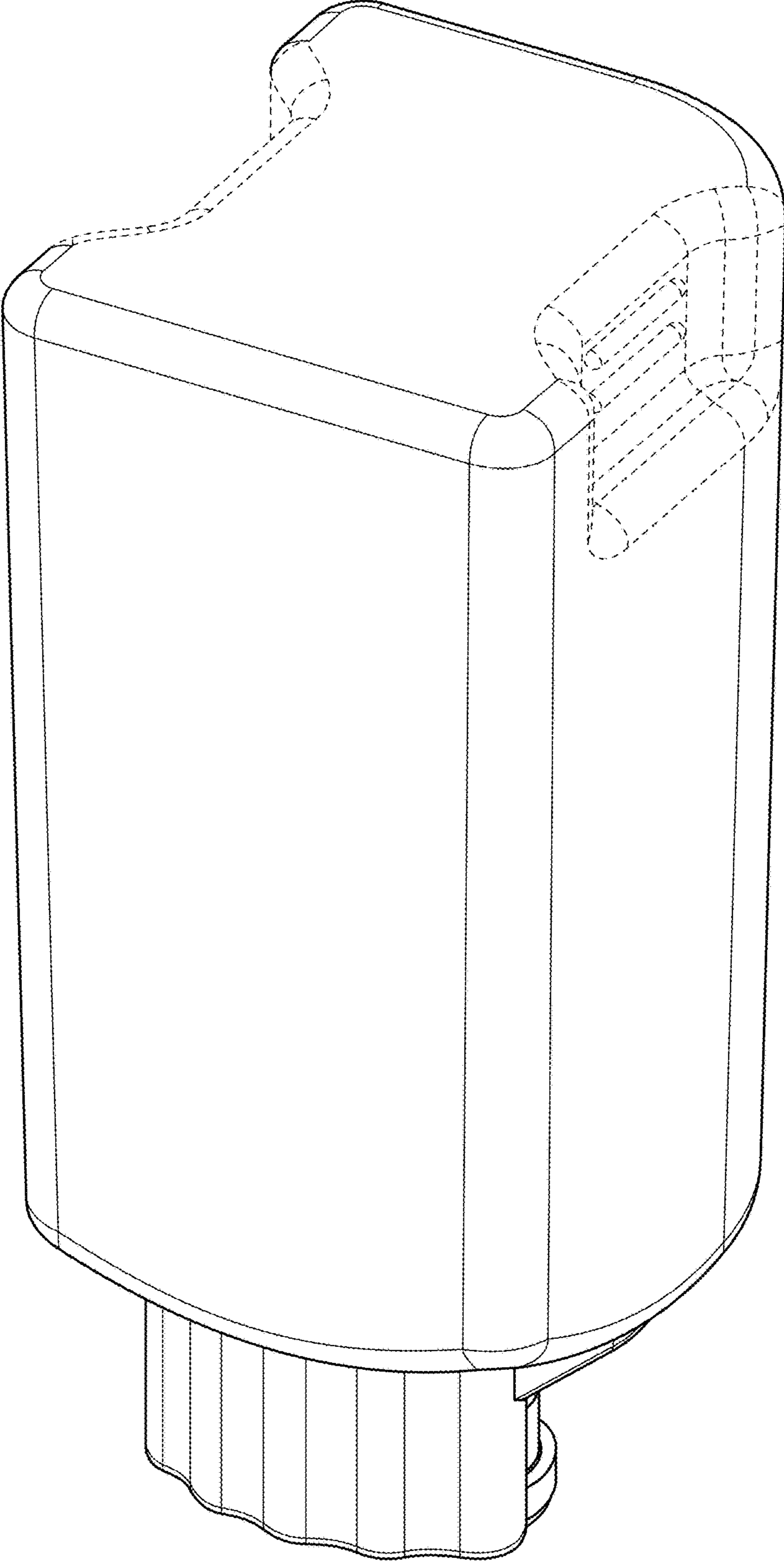


FIG. 1

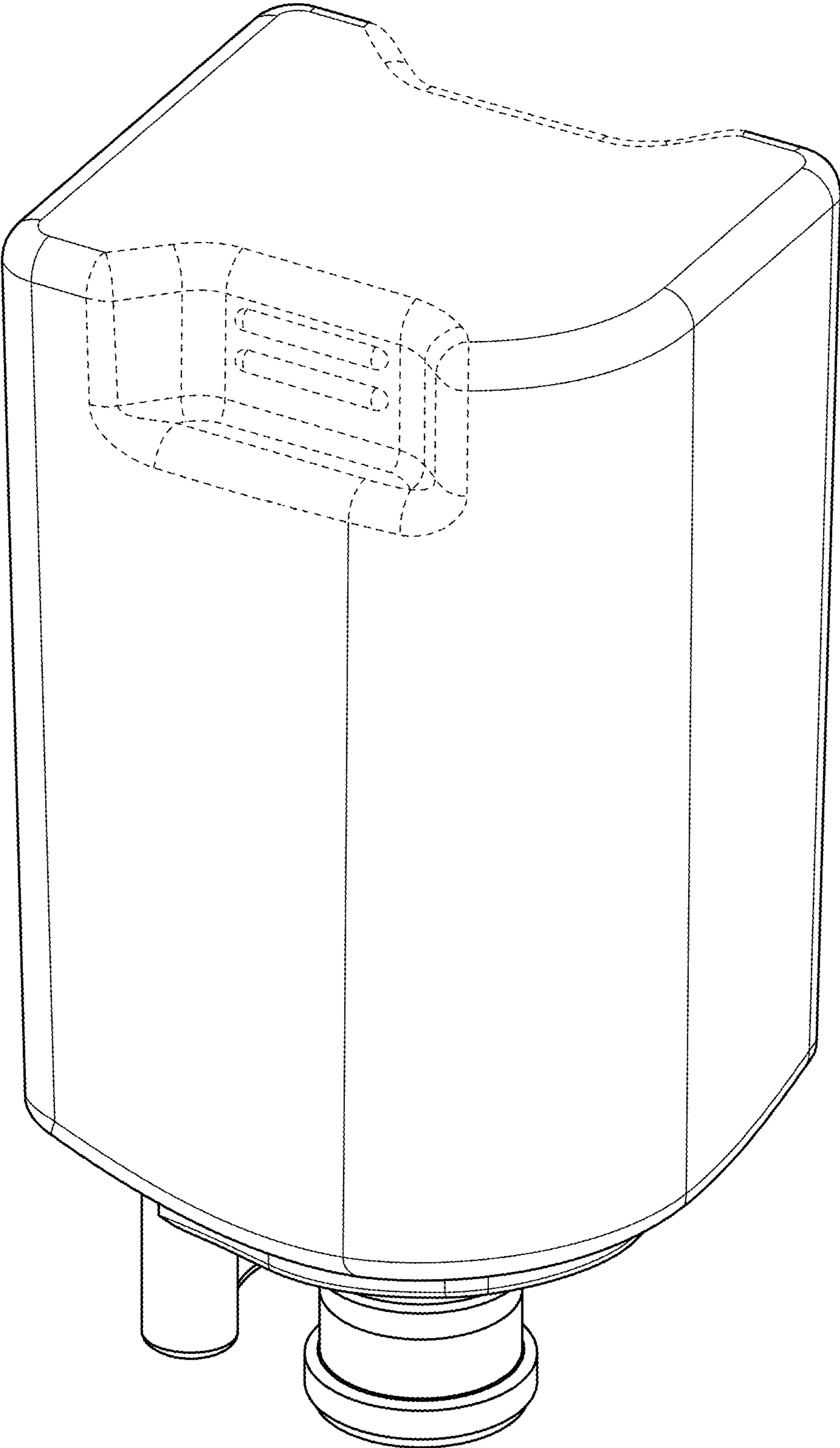


FIG. 2

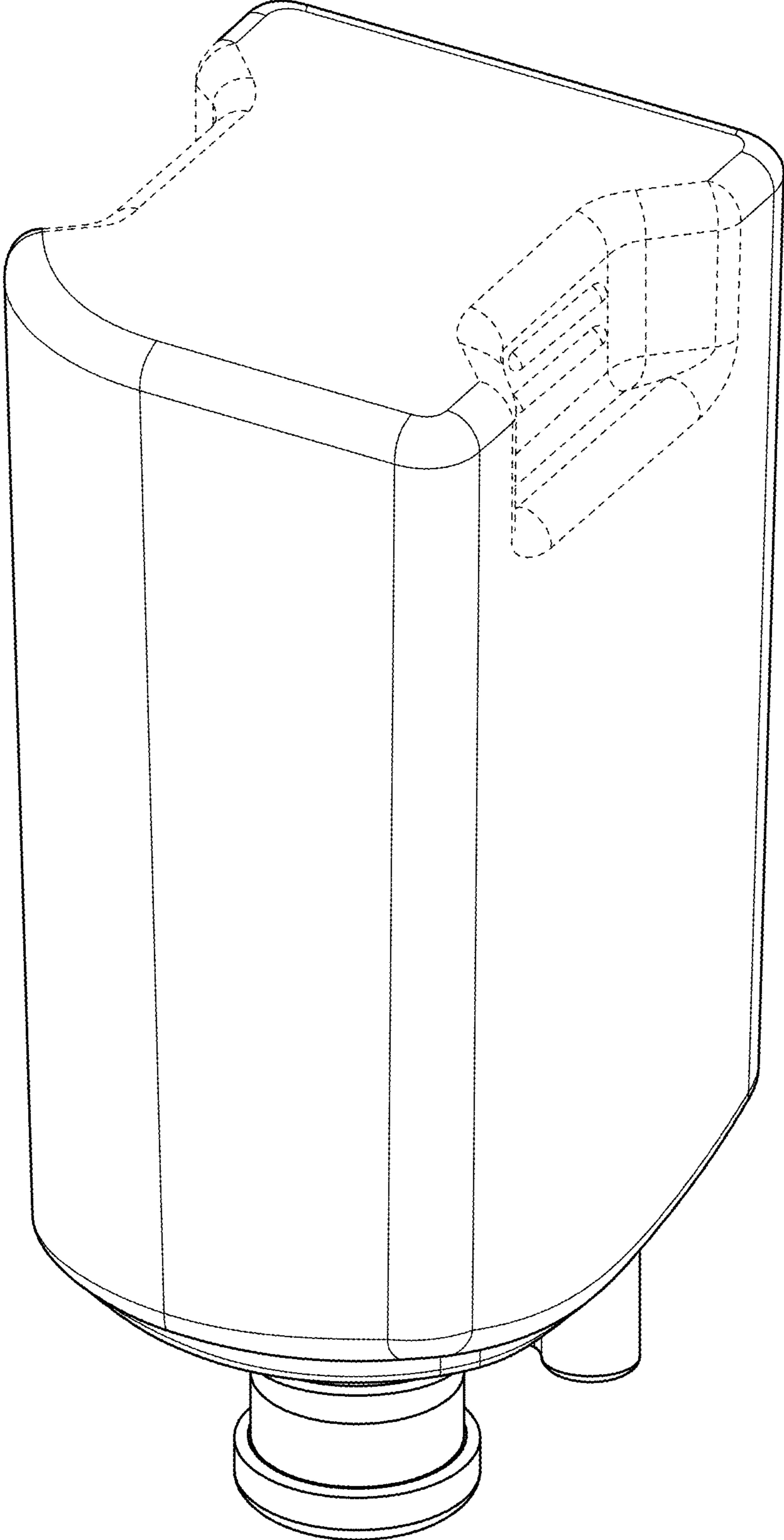


FIG. 3

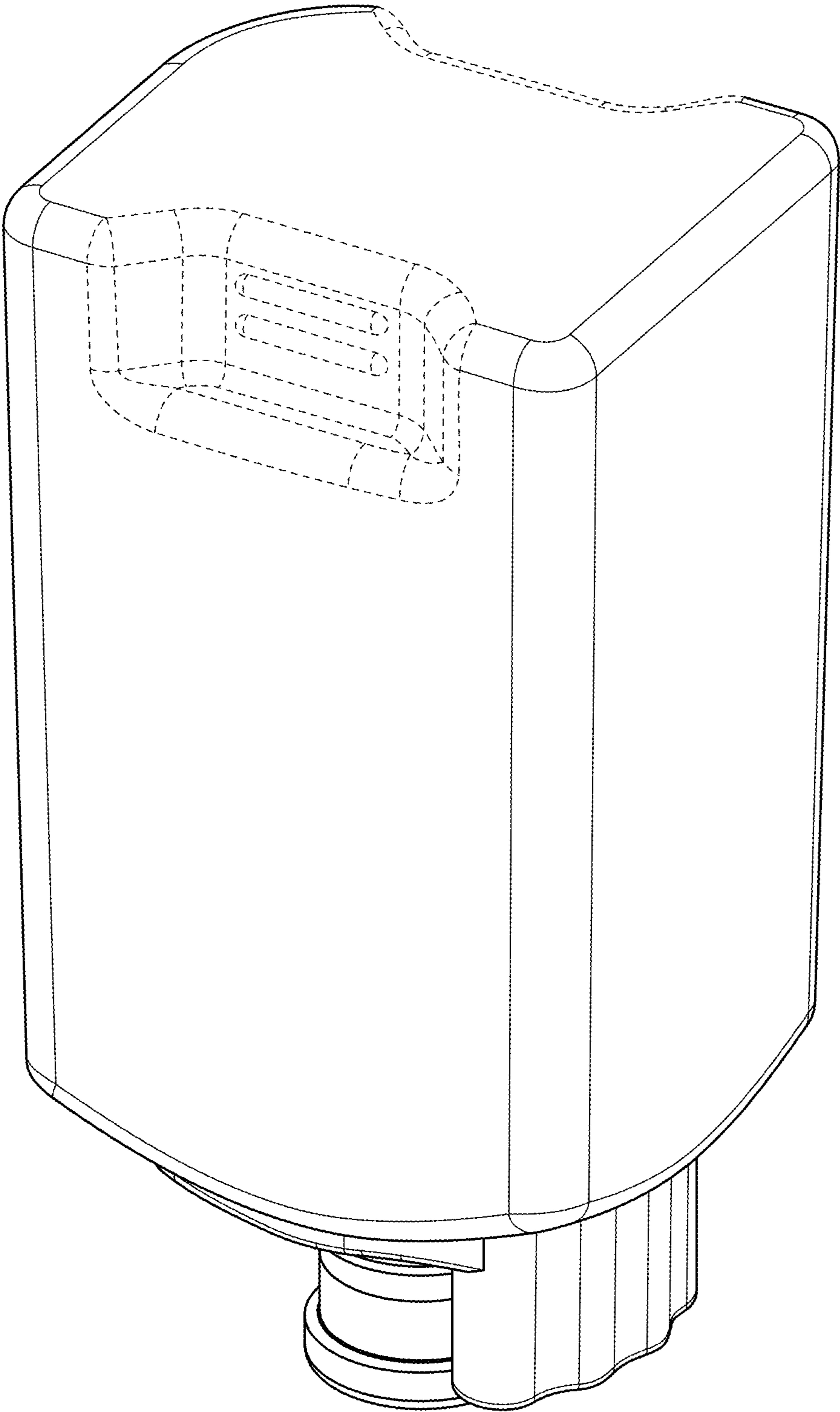


FIG. 4

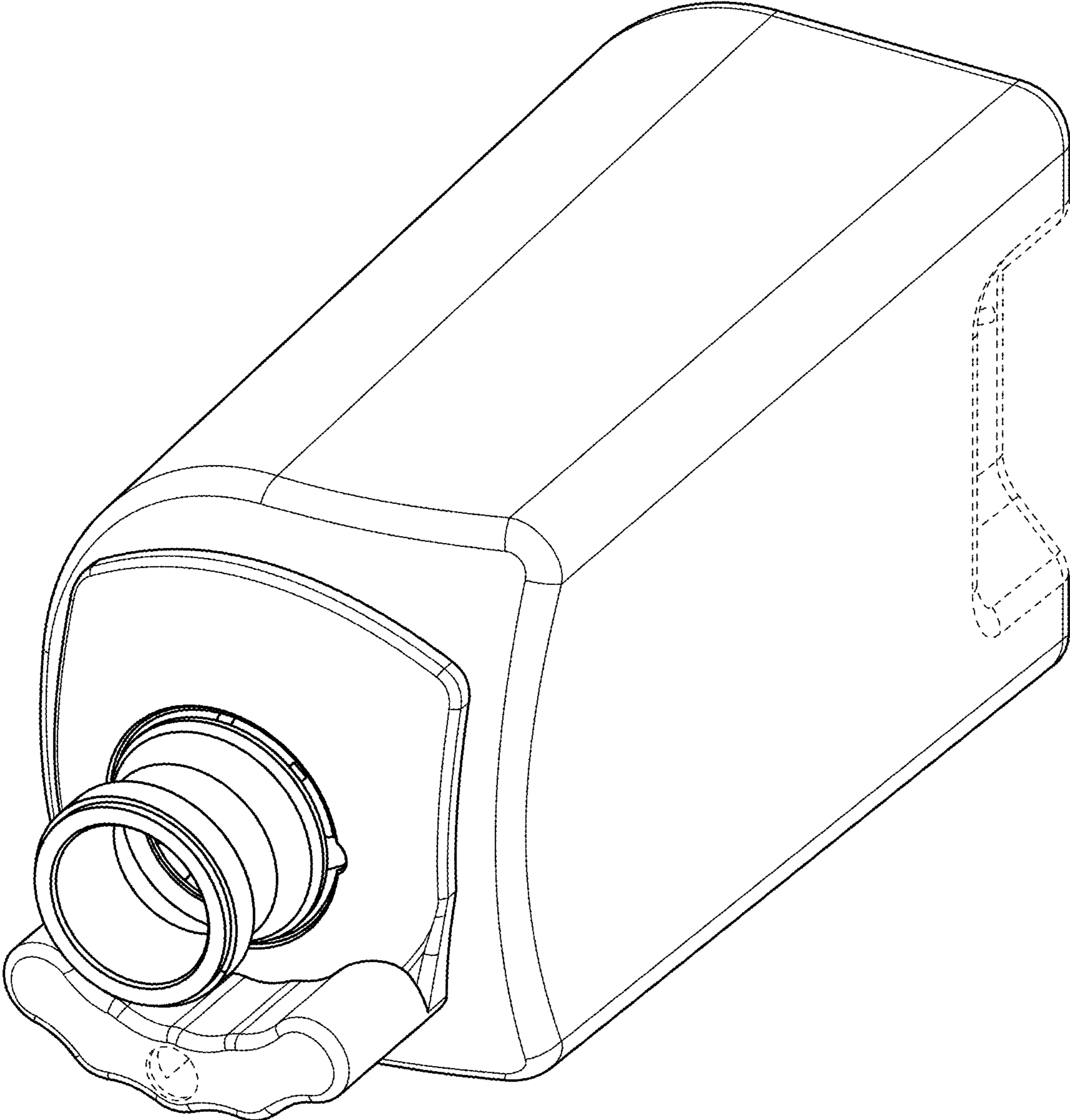


FIG. 5

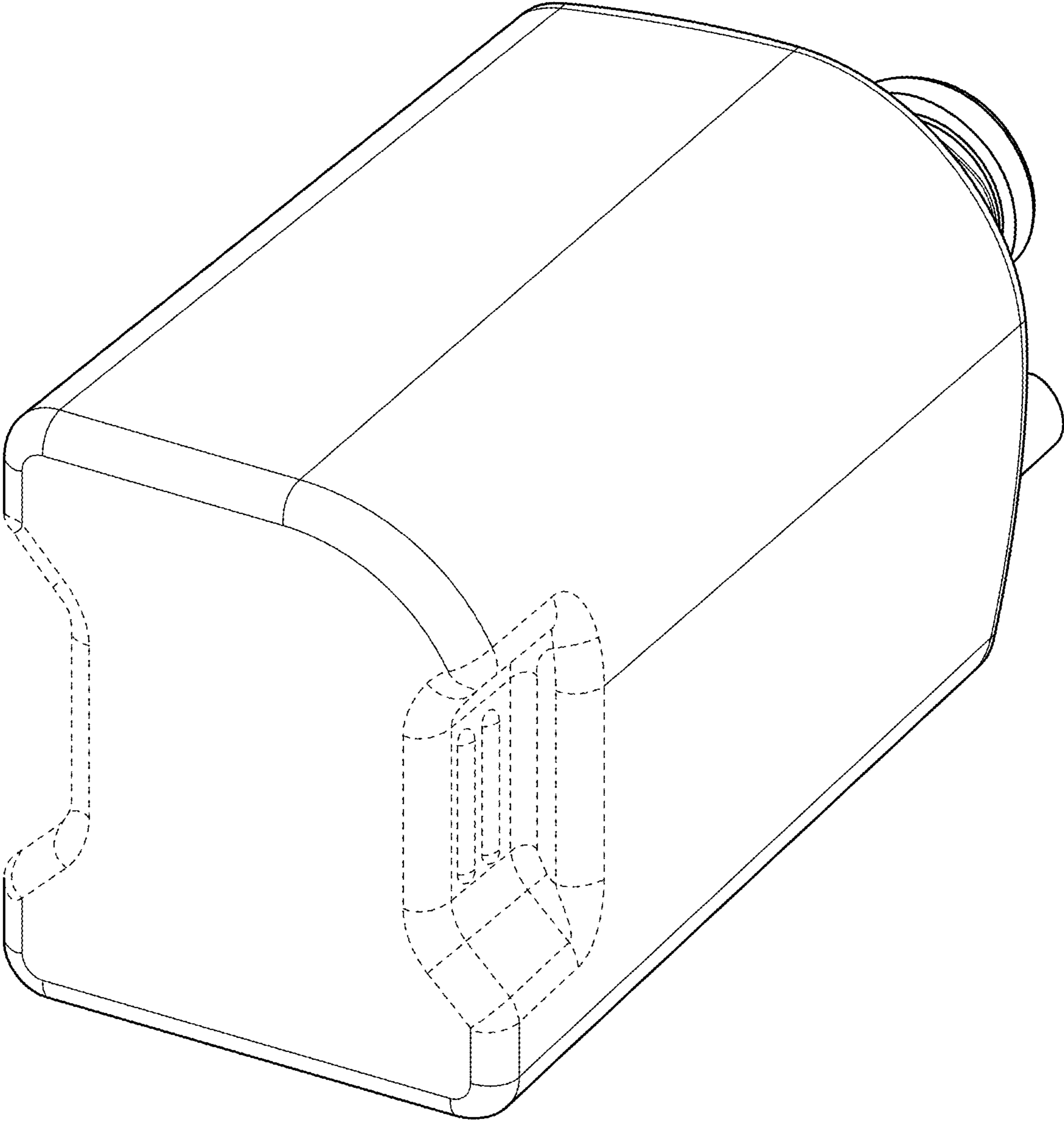


FIG. 6

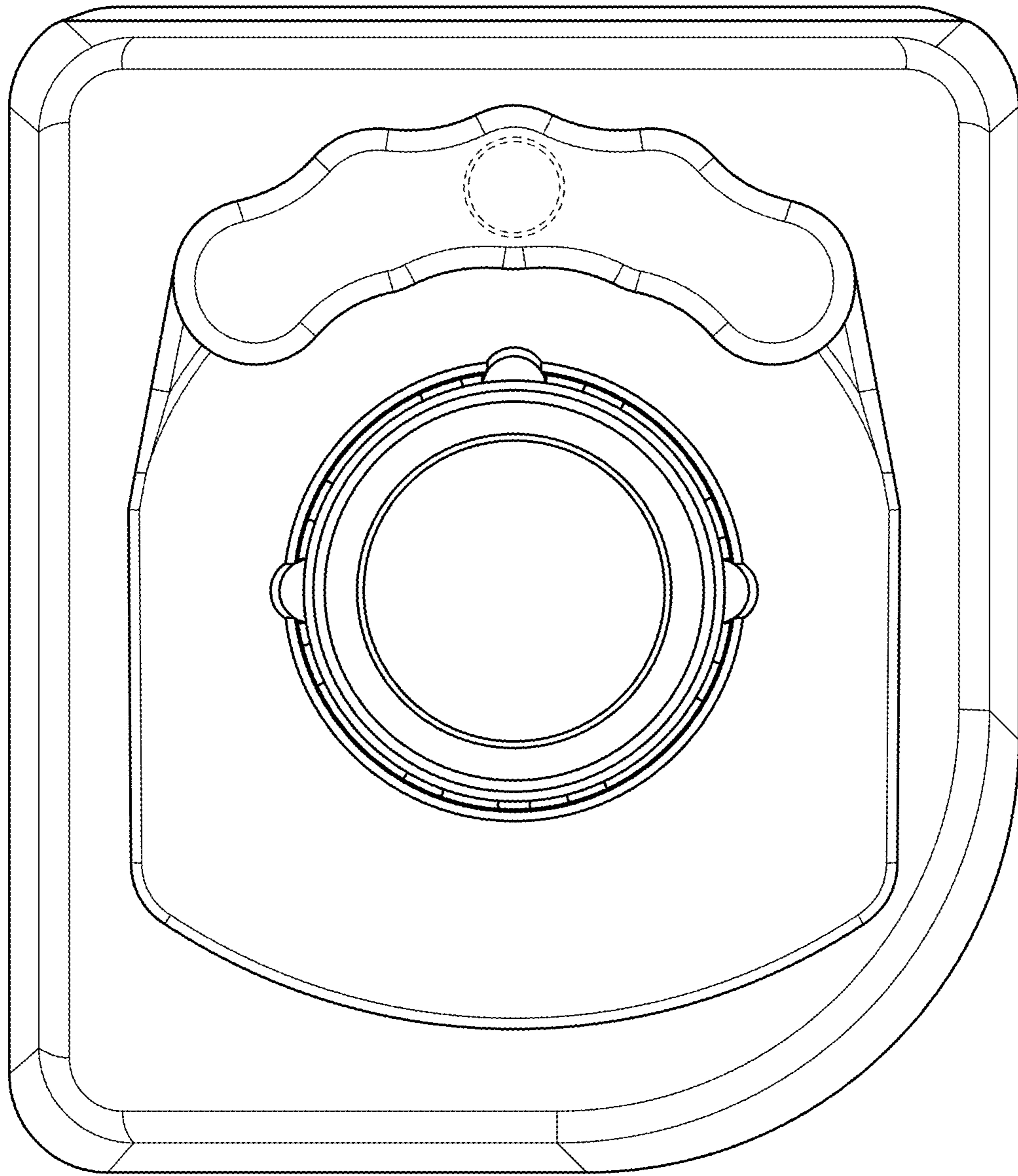


FIG. 7

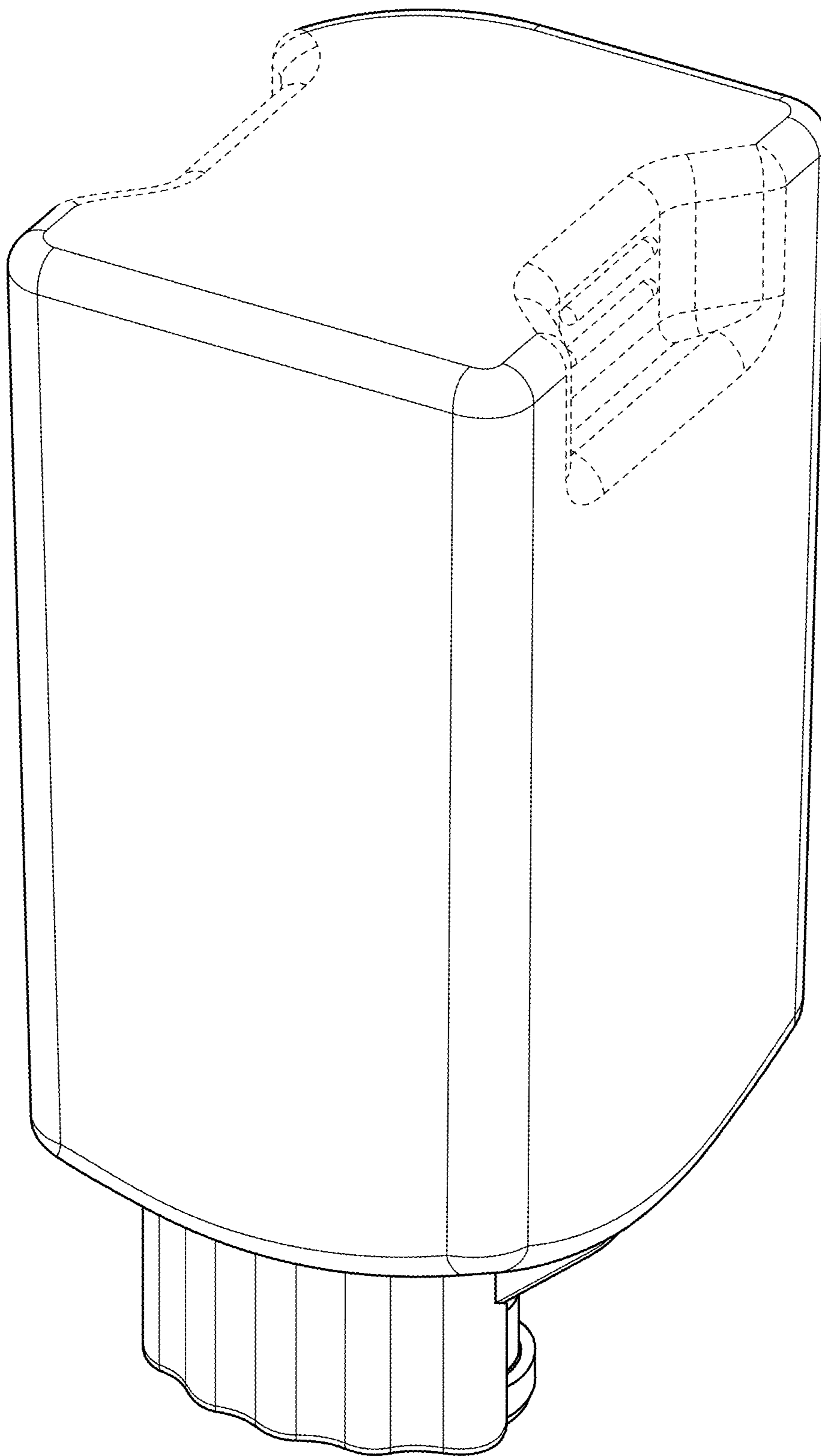


FIG. 8

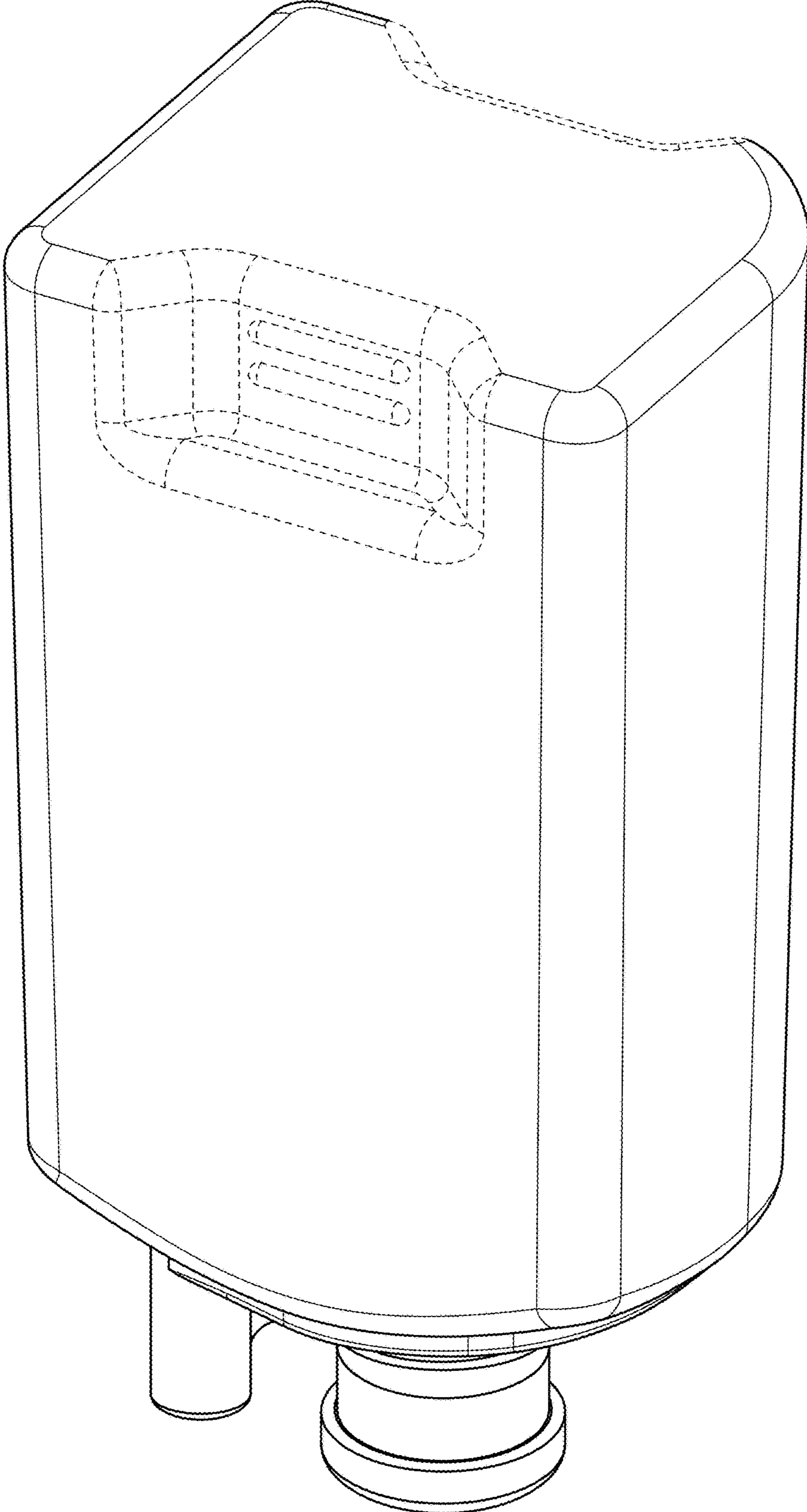


FIG. 9

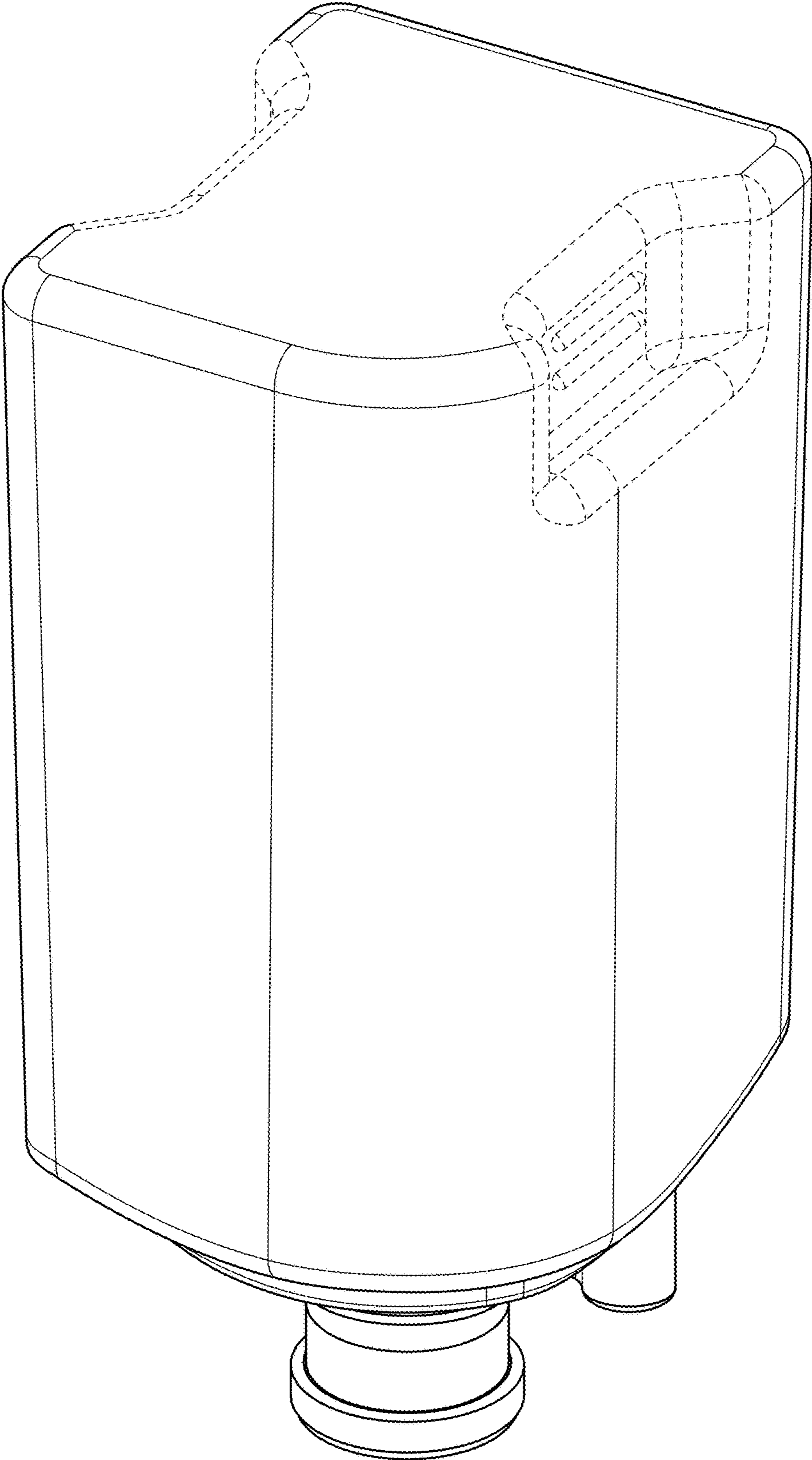


FIG. 10

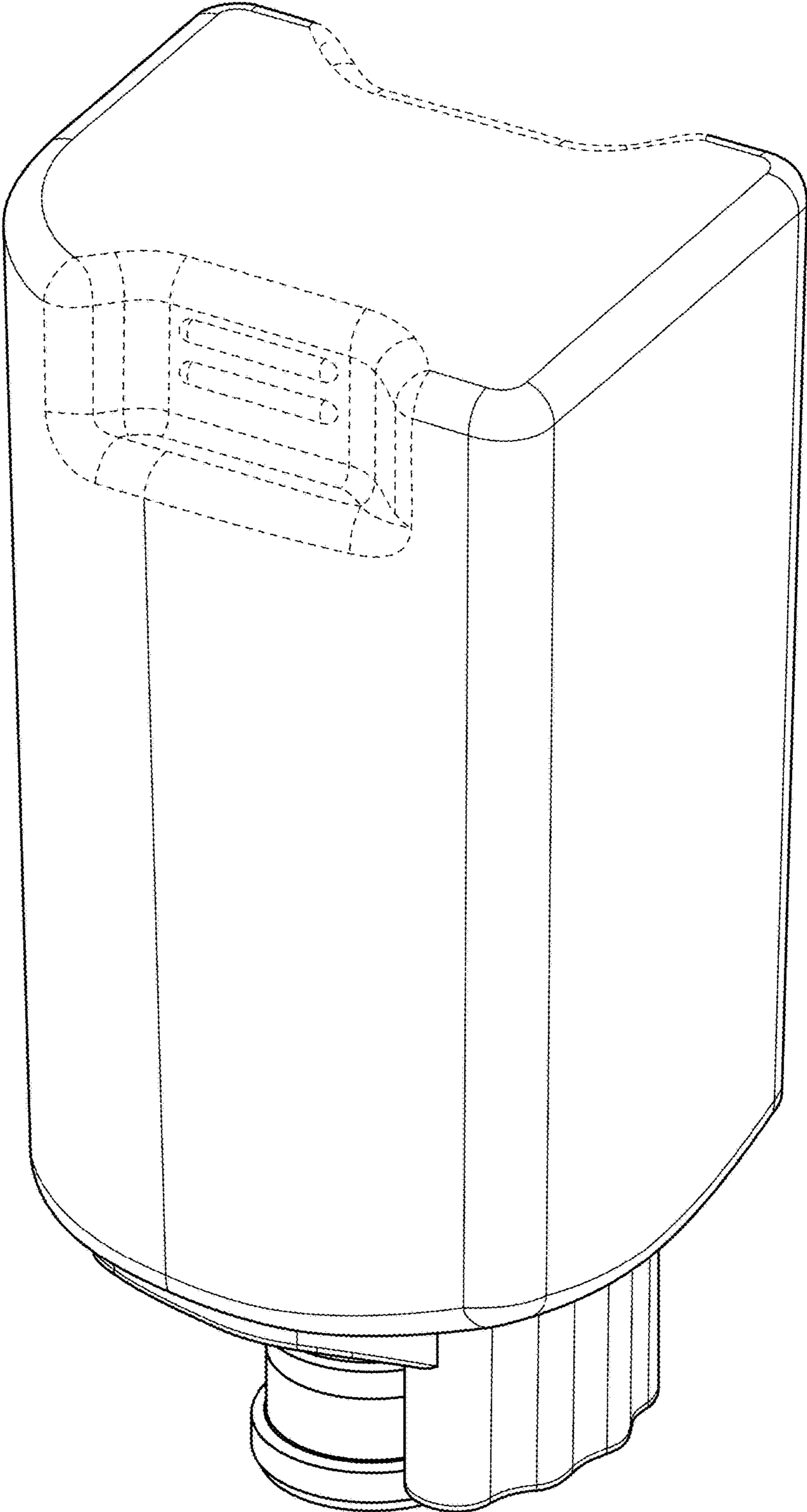


FIG. 11

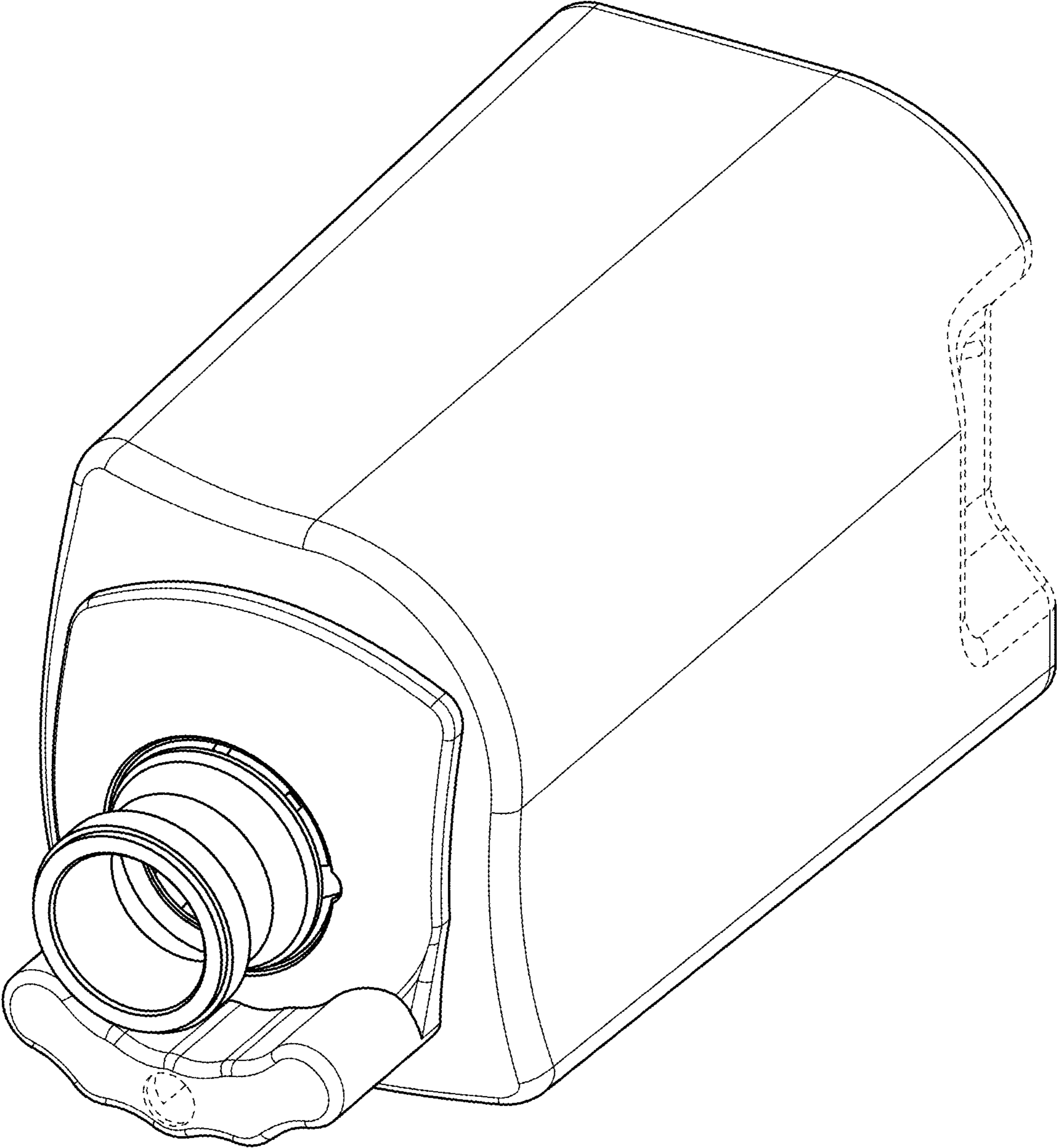


FIG. 12

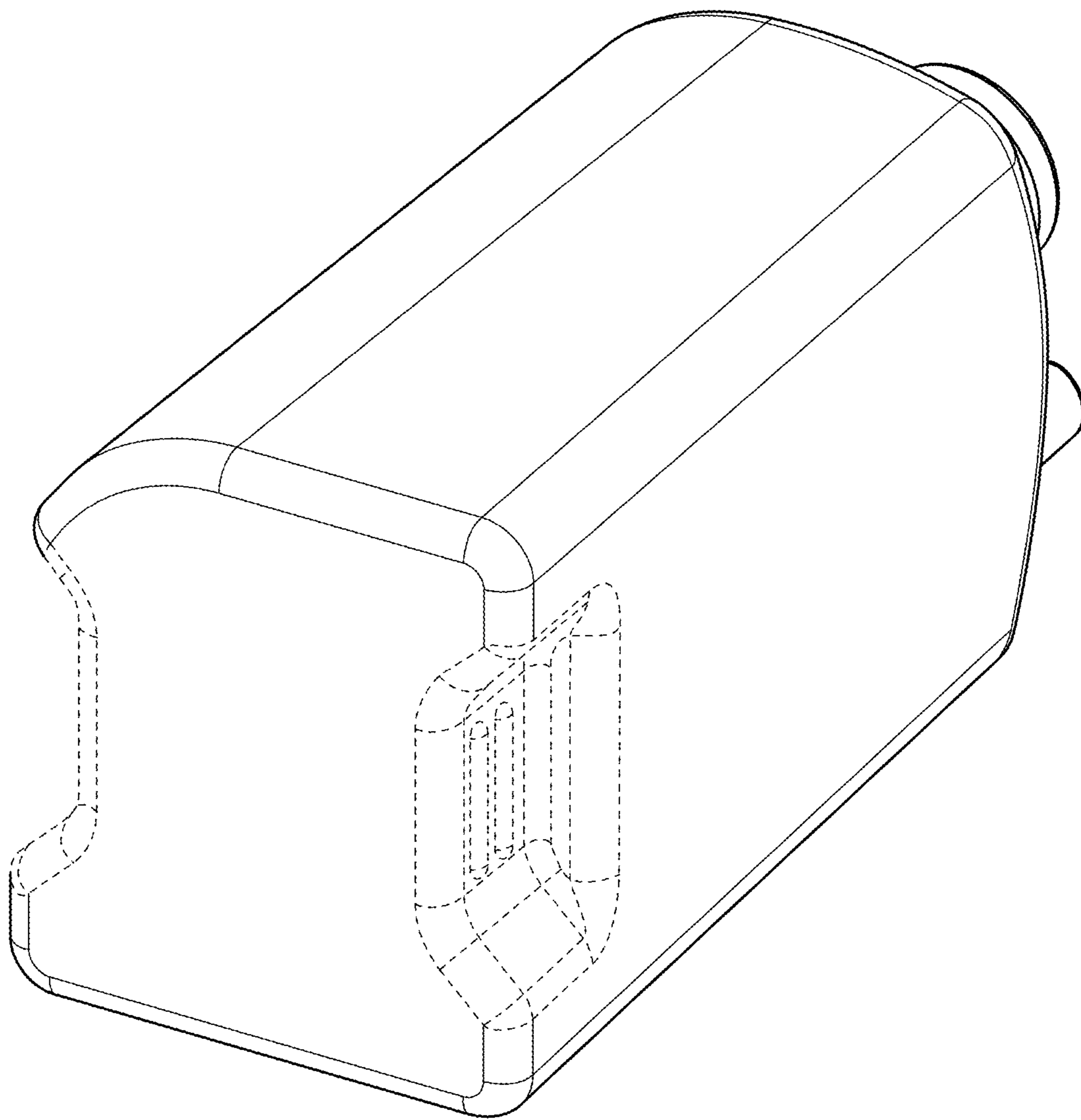


FIG. 13

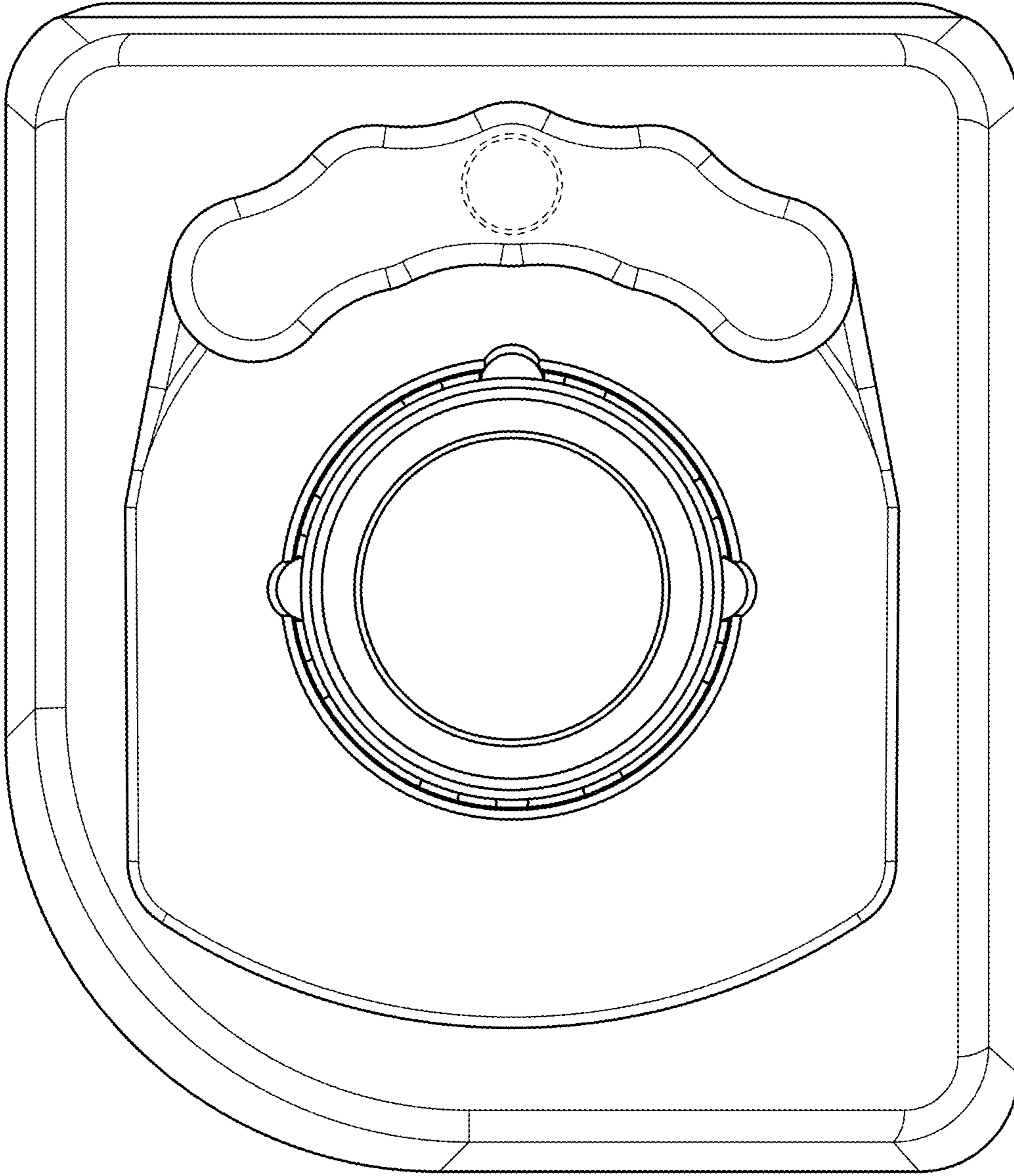


FIG. 14

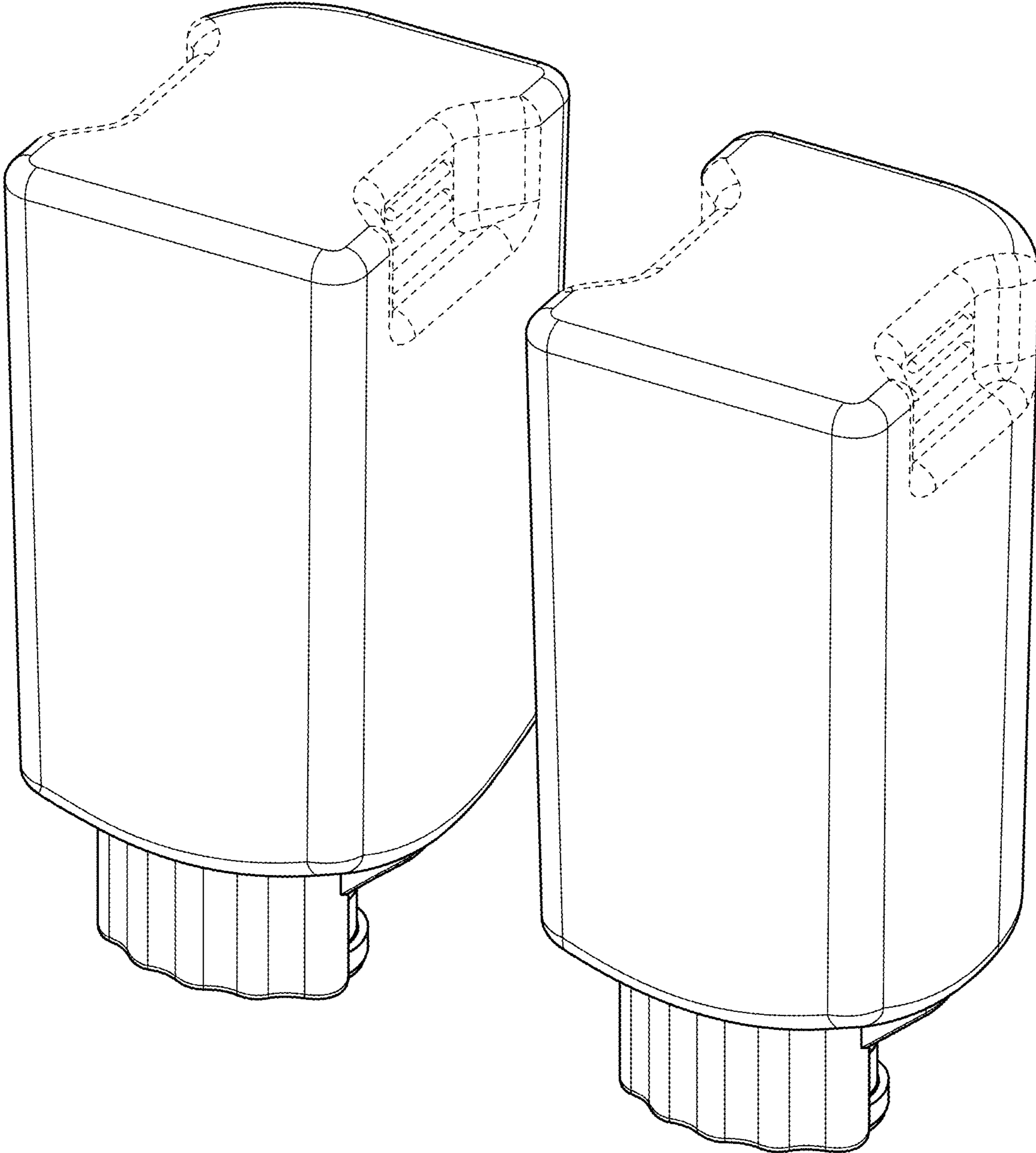


FIG. 15

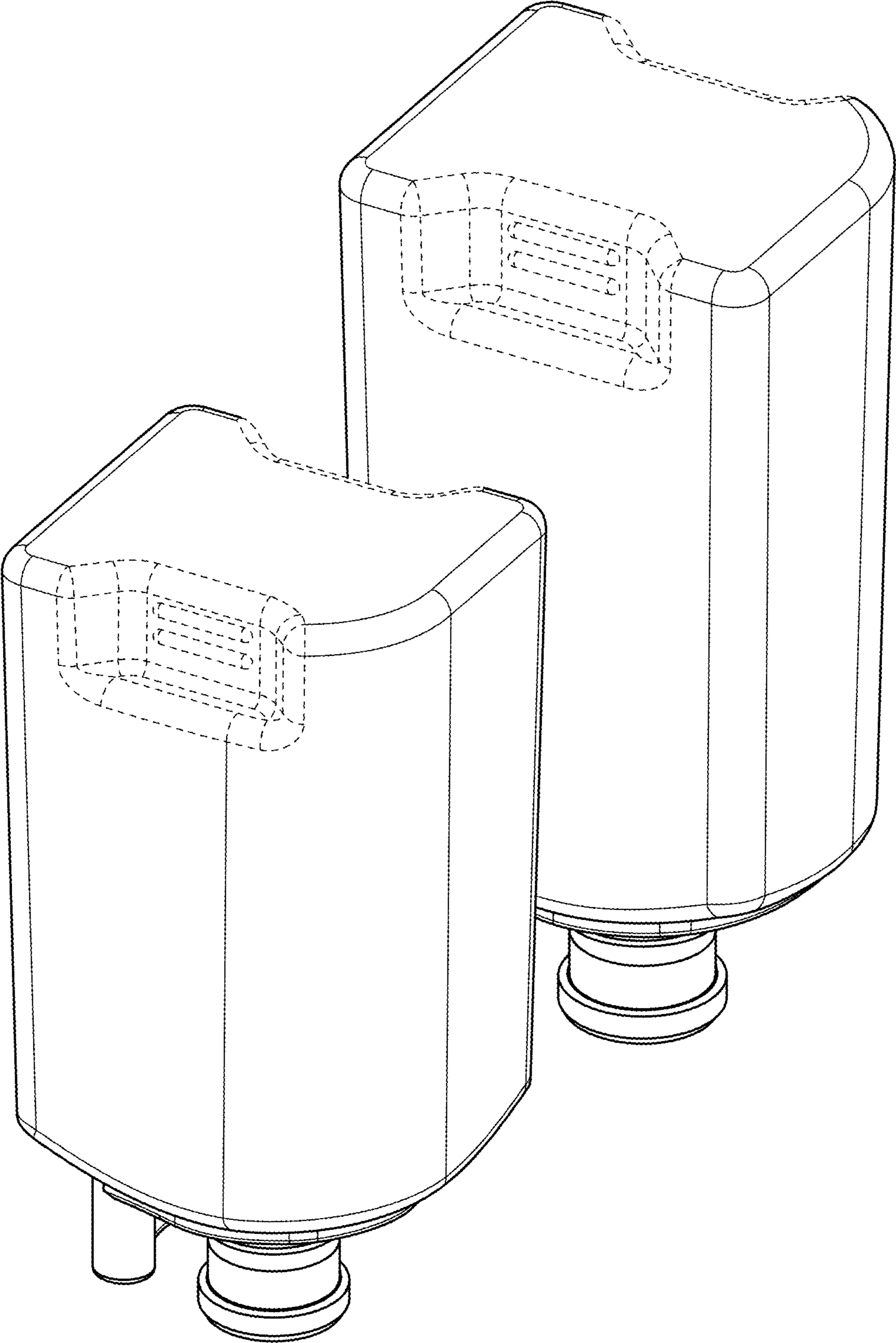


FIG. 16

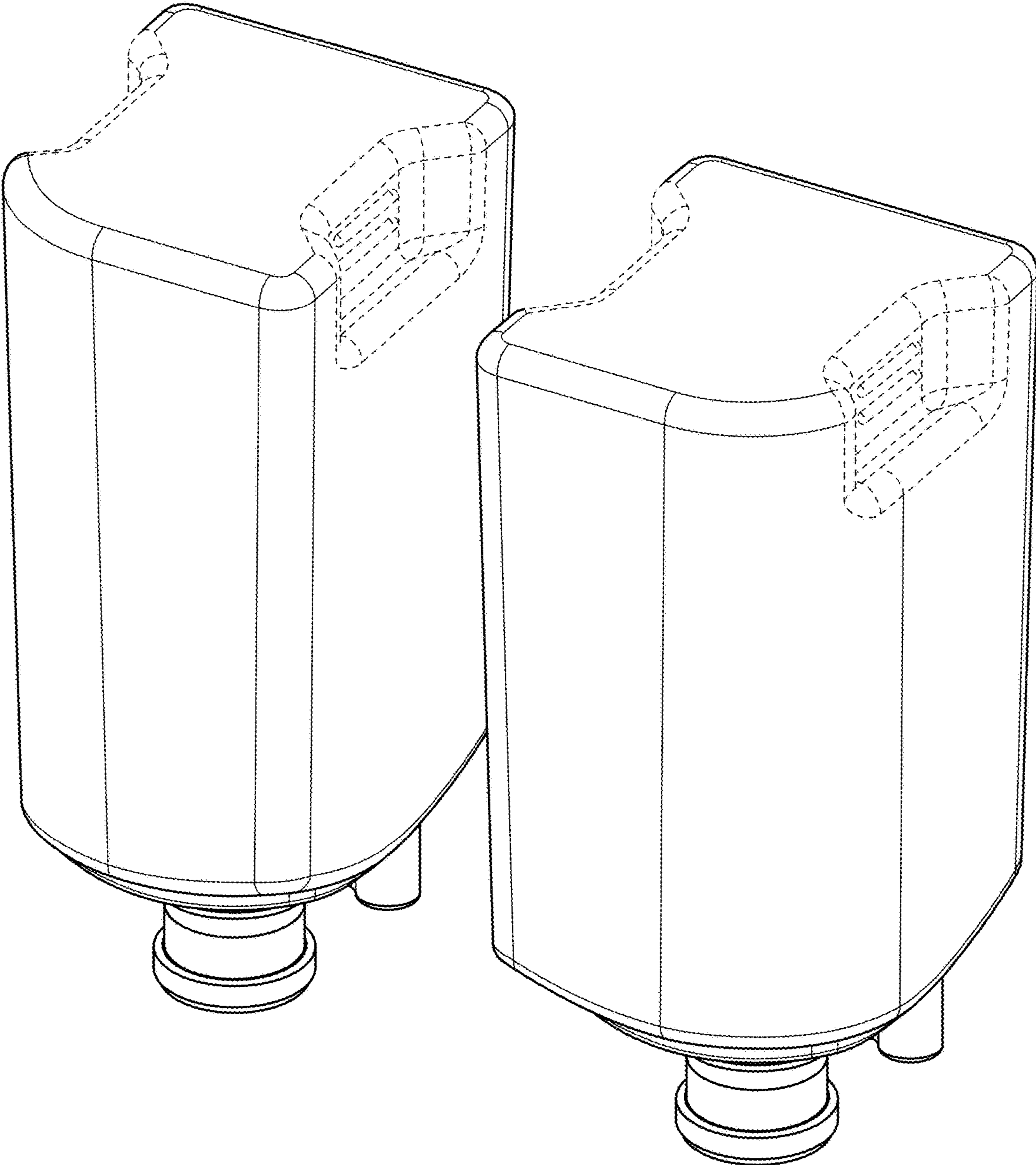


FIG. 17

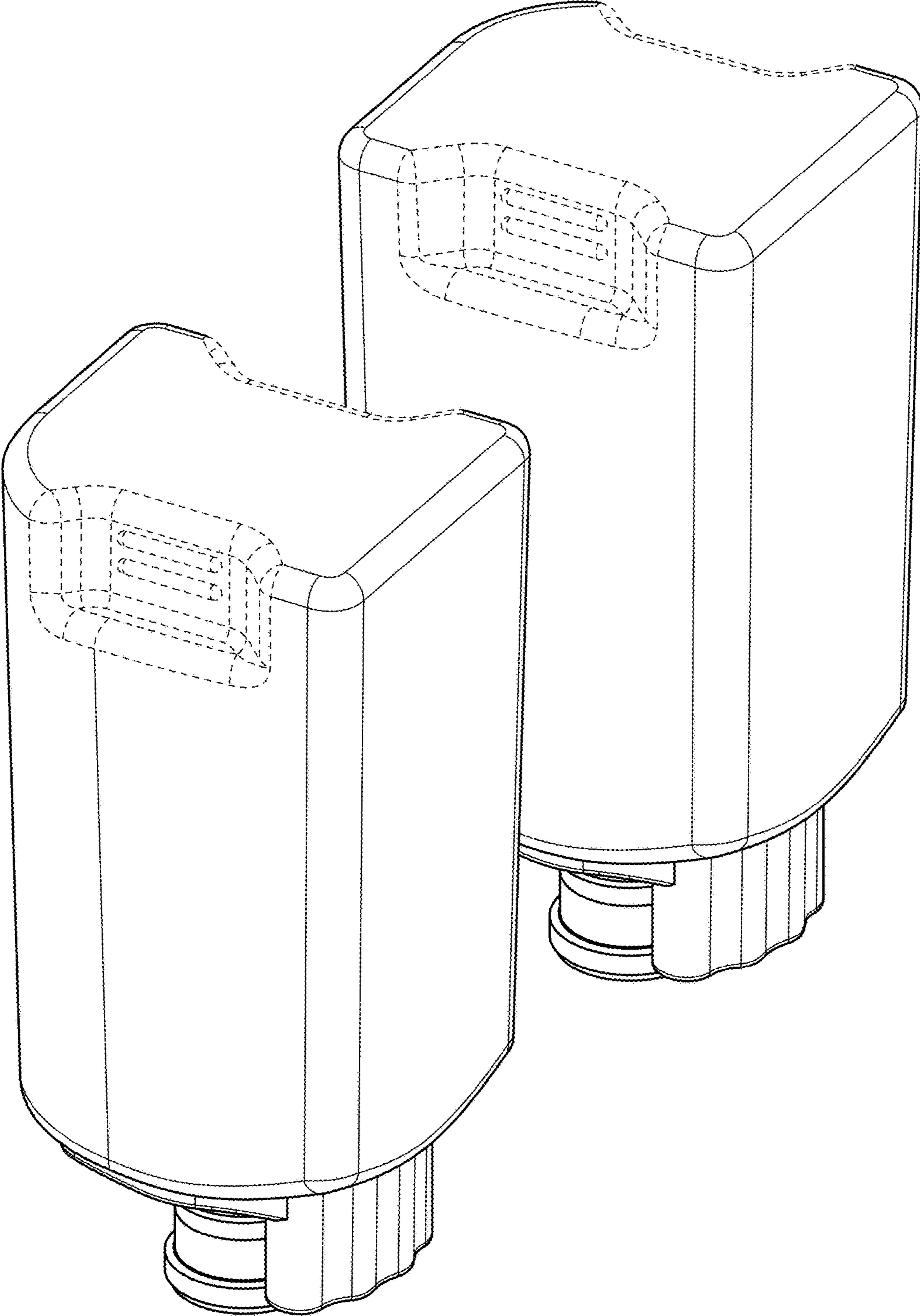


FIG. 18

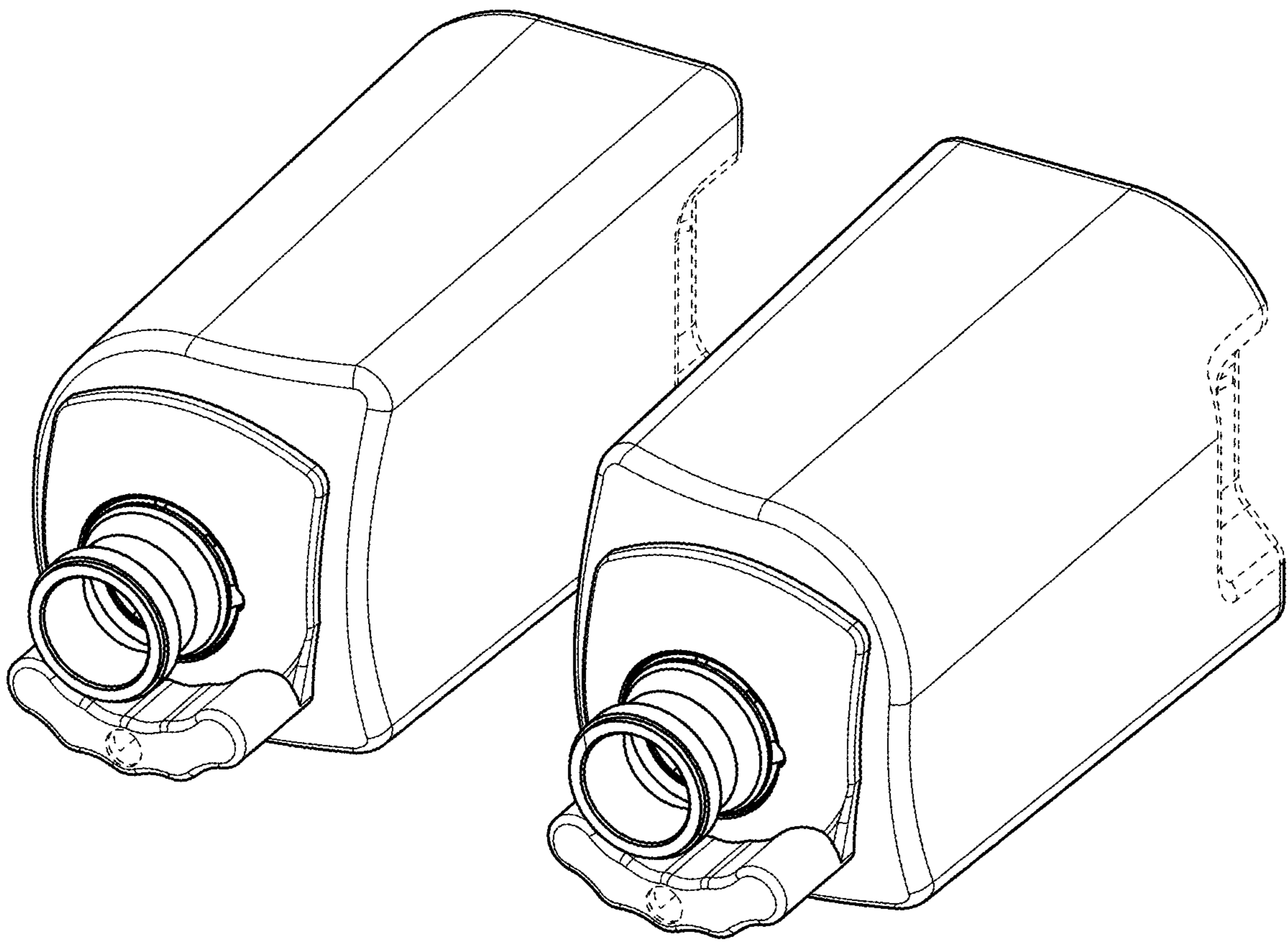


FIG. 19

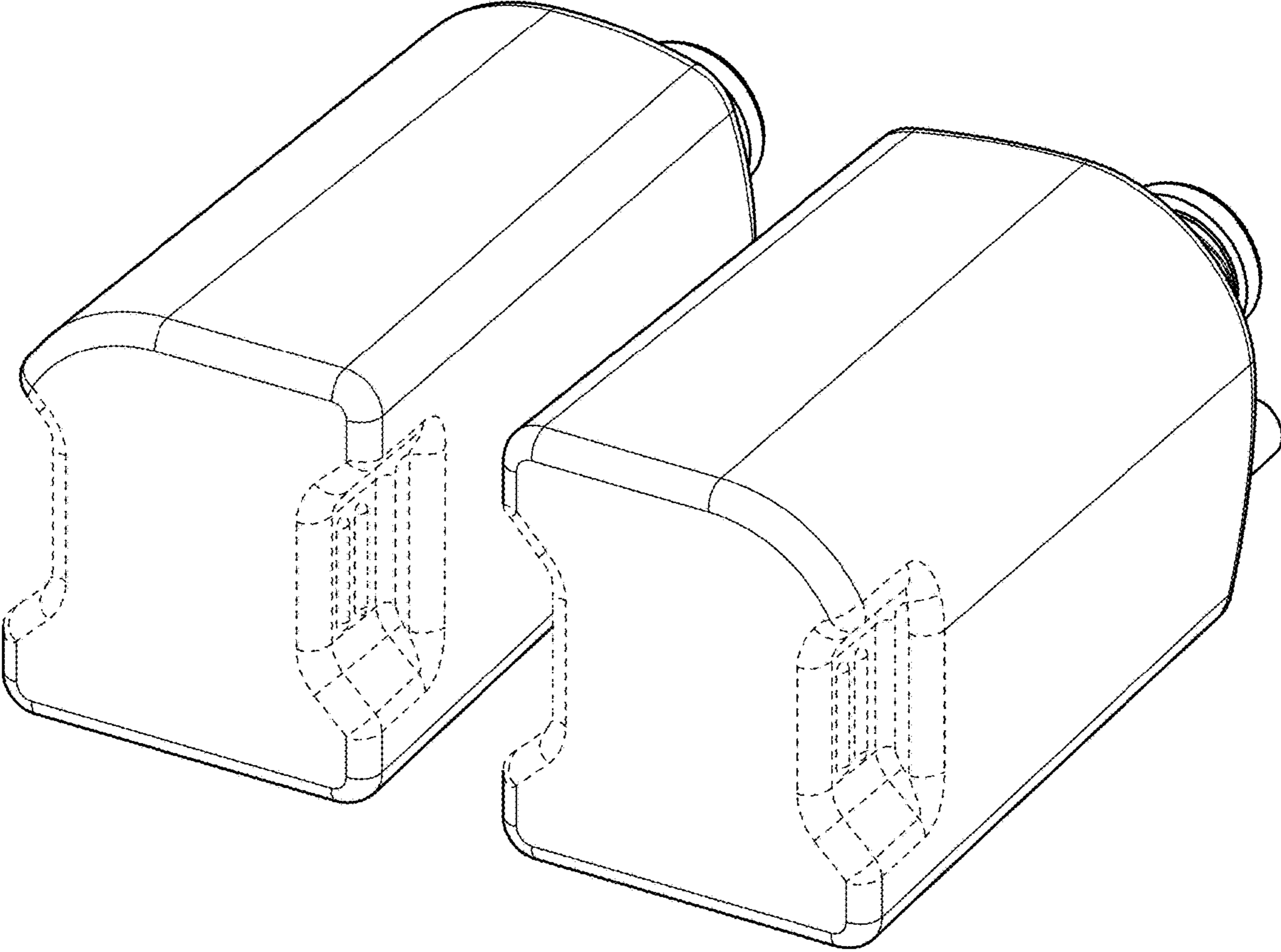


FIG. 20

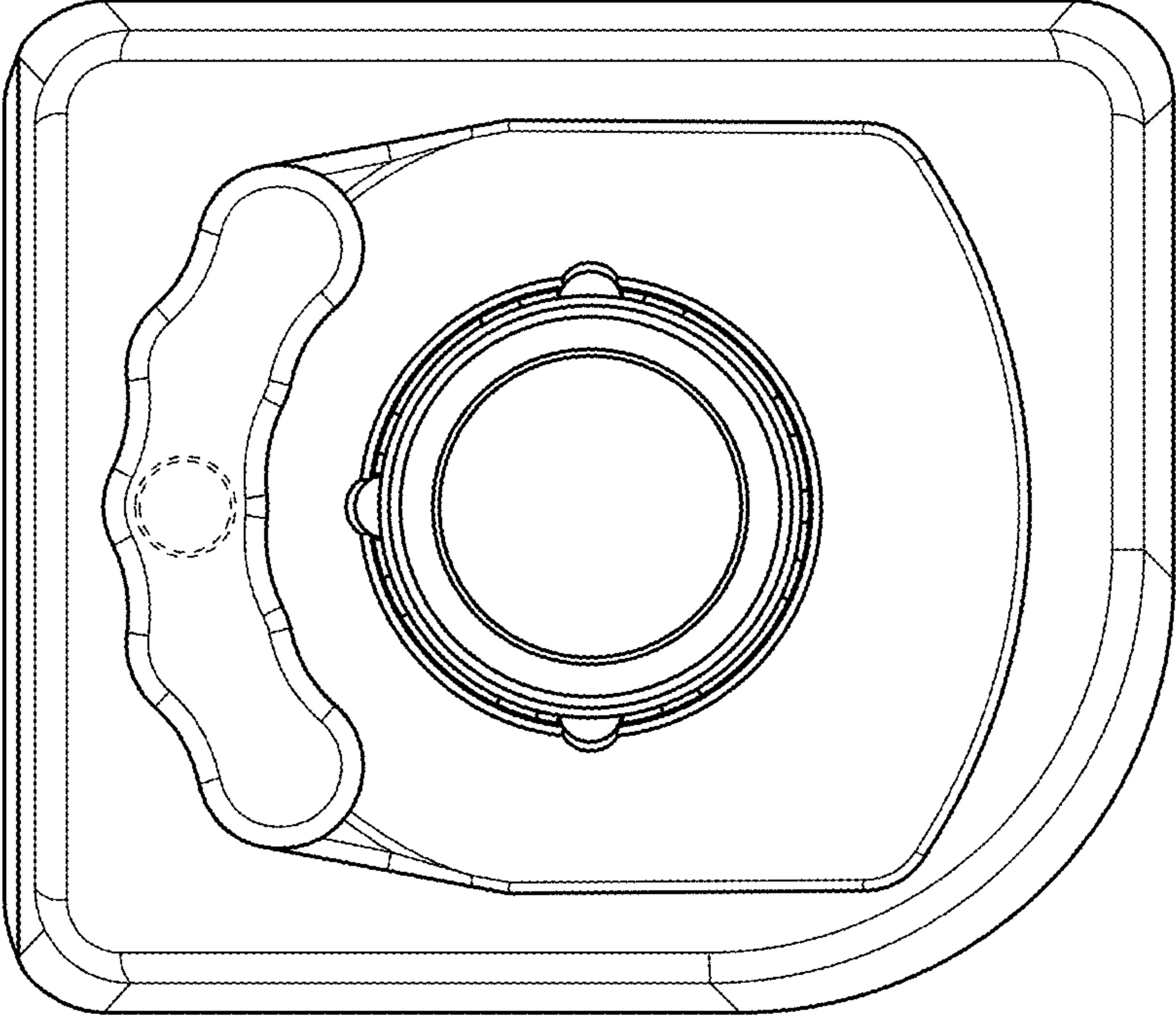
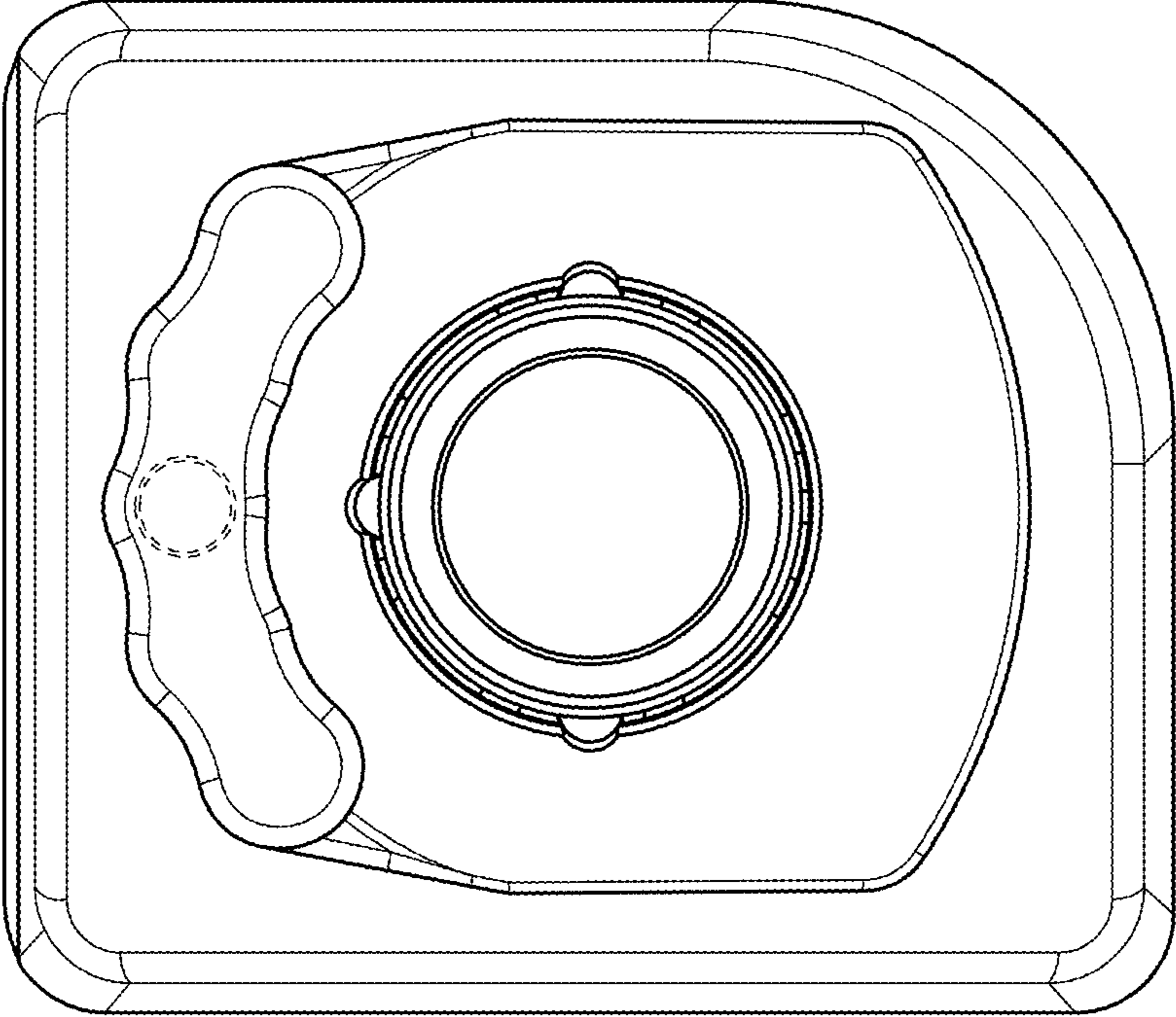


FIG. 21

UNITED STATES PATENT AND TRADEMARK OFFICE
CERTIFICATE OF CORRECTION

PATENT NO. : D843,584 S
APPLICATION NO. : 29/610306
DATED : March 19, 2019
INVENTOR(S) : Galluseder et al.

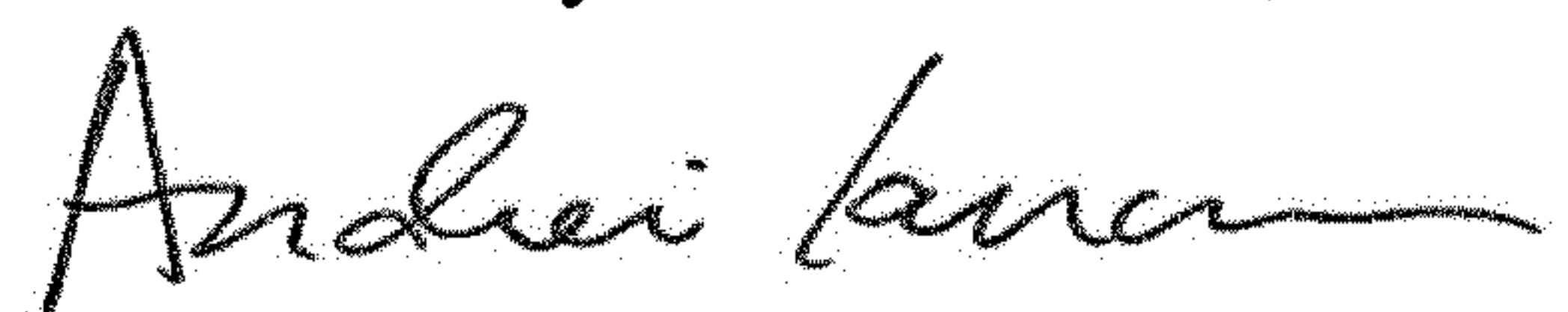
Page 1 of 1

It is certified that error appears in the above-identified patent and that said Letters Patent is hereby corrected as shown below:

On the Title Page

Please insert Item (30):
--(30) **Foreign Application Priority Data**
January 13, 2017 (EM) 003621358--

Signed and Sealed this
Twelfth Day of November, 2019



Andrei Iancu
Director of the United States Patent and Trademark Office