



US00D843583S

(12) **United States Design Patent**  
**Roth**

(10) **Patent No.:** **US D843,583 S**  
(45) **Date of Patent:** **\*\* Mar. 19, 2019**

(54) **PATIENT TABLE**

FOREIGN PATENT DOCUMENTS

(71) Applicant: **Siemens Healthcare GmbH**, Erlangen (DE)

JP 0966652 S 10/1996  
JP 1123268 S 10/2001

(72) Inventor: **Nadja Roth**, Bamberg (DE)

*Primary Examiner* — Anhdao Doan

(74) *Attorney, Agent, or Firm* — Schiff Hardin LLP

(73) Assignee: **Siemens Healthcare GmbH**, Erlangen (DE)

(57) **CLAIM**

The ornamental design for a patient table, as shown and described.

(\*\*) Term: **15 Years**

**DESCRIPTION**

(21) Appl. No.: **29/602,141**

The patent or application file contains at least one drawing executed in color. Copies of this patent or patent application publication with color drawing(s) will be provided by the Office upon request and payment of the necessary fee. Further, high-quality electronic copies of the drawings are available in the Office's electronic record of this application. FIG. 1 is a front elevational view of a first embodiment of a patient table showing our new design; FIG. 2 is a back elevational view thereof; FIG. 3 is a top plan view thereof; FIG. 4 is a bottom plan view thereof; FIG. 5 is a right side elevational view thereof; FIG. 6 is a left side elevational view thereof; and FIG. 7 is a perspective view taken generally from the top, front, right-hand side thereof.

(22) Filed: **Apr. 28, 2017**

FIG. 8 is a front elevational view of a second embodiment thereof; FIG. 9 is a back elevational view thereof; FIG. 10 is a top plan view thereof; FIG. 11 is a bottom plan view thereof; FIG. 12 is a right side elevational view thereof; FIG. 13 is a left side elevational view thereof; and, FIG. 14 is a perspective view taken generally from the top, front, right-hand side thereof.

(30) **Foreign Application Priority Data**

Nov. 2, 2016 (EM) ..... 001454375

(51) **LOC (11) Cl.** ..... **24-01**

(52) **U.S. Cl.**  
USPC ..... **D24/159**; D24/183

(58) **Field of Classification Search**  
USPC ..... D24/158-161, 185, 186, 107, 183, 184  
CPC .. A61G 13/1235; A61G 2210/50; A61B 6/04;  
A61B 6/0407; A61F 5/3723; A61F  
5/3761

See application file for complete search history.

The broken lines shown in the drawings represent portions of the patient table that form no part of the claimed design.

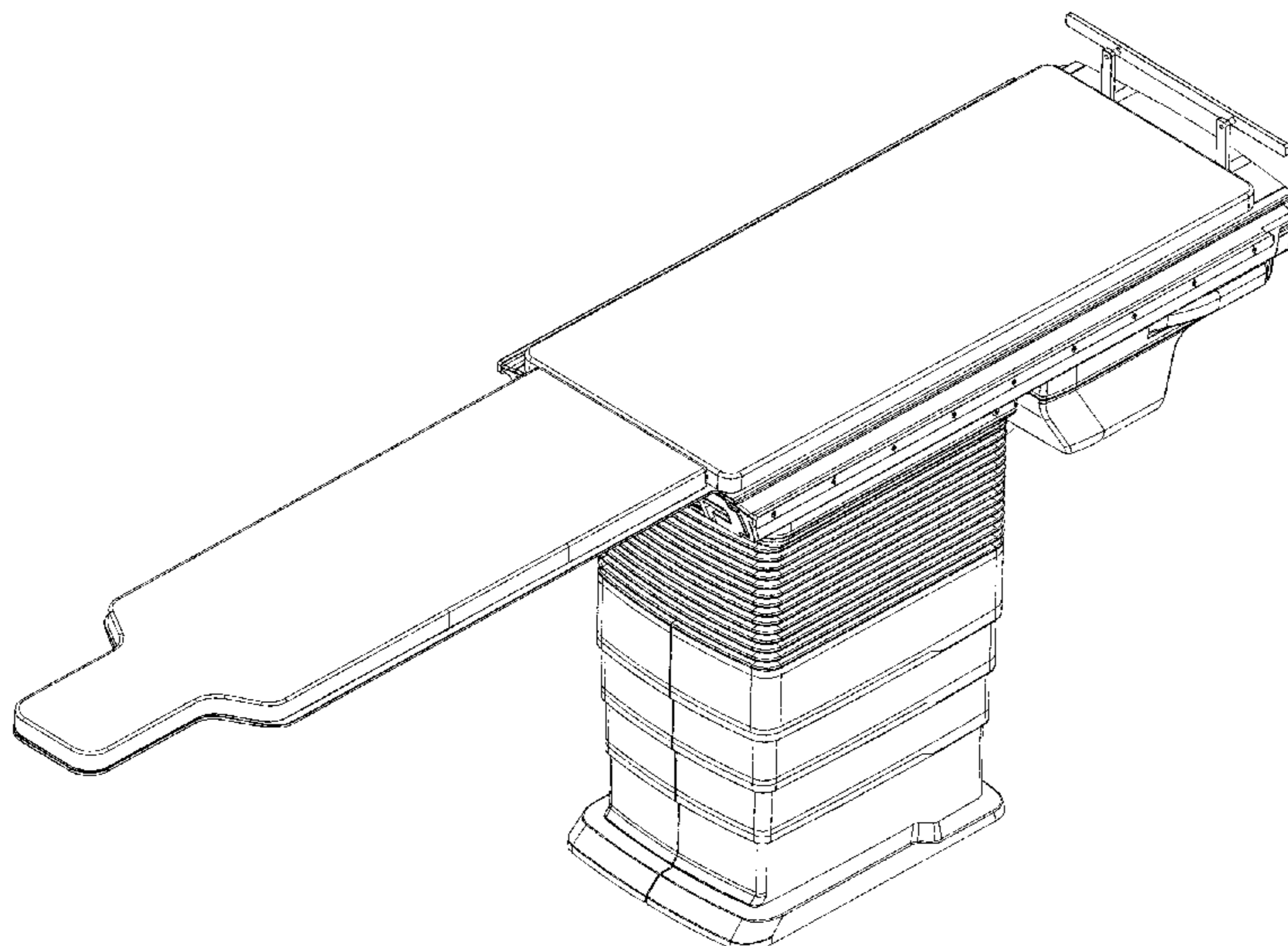
(56) **References Cited**

U.S. PATENT DOCUMENTS

7,020,917 B1 \* 4/2006 Kolody ..... A61B 6/0442  
108/28  
D527,459 S \* 8/2006 Gireesh ..... D24/183  
D726,319 S \* 4/2015 Sul ..... D24/159  
D727,509 S \* 4/2015 Tan ..... D24/159  
D735,864 S \* 8/2015 Doerre ..... D24/159  
D736,934 S \* 8/2015 Kim ..... D24/183  
D743,555 S \* 11/2015 Hasebe ..... D24/159

(Continued)

**1 Claim, 14 Drawing Sheets**  
**(7 of 14 Drawing Sheet(s) Filed in Color)**



(56)

**References Cited**

U.S. PATENT DOCUMENTS

D748,804 S \* 2/2016 Eenboom ..... D24/183  
D757,940 S \* 5/2016 Boegel ..... D24/159  
D770,049 S \* 10/2016 Yanagihara ..... D24/159

\* cited by examiner

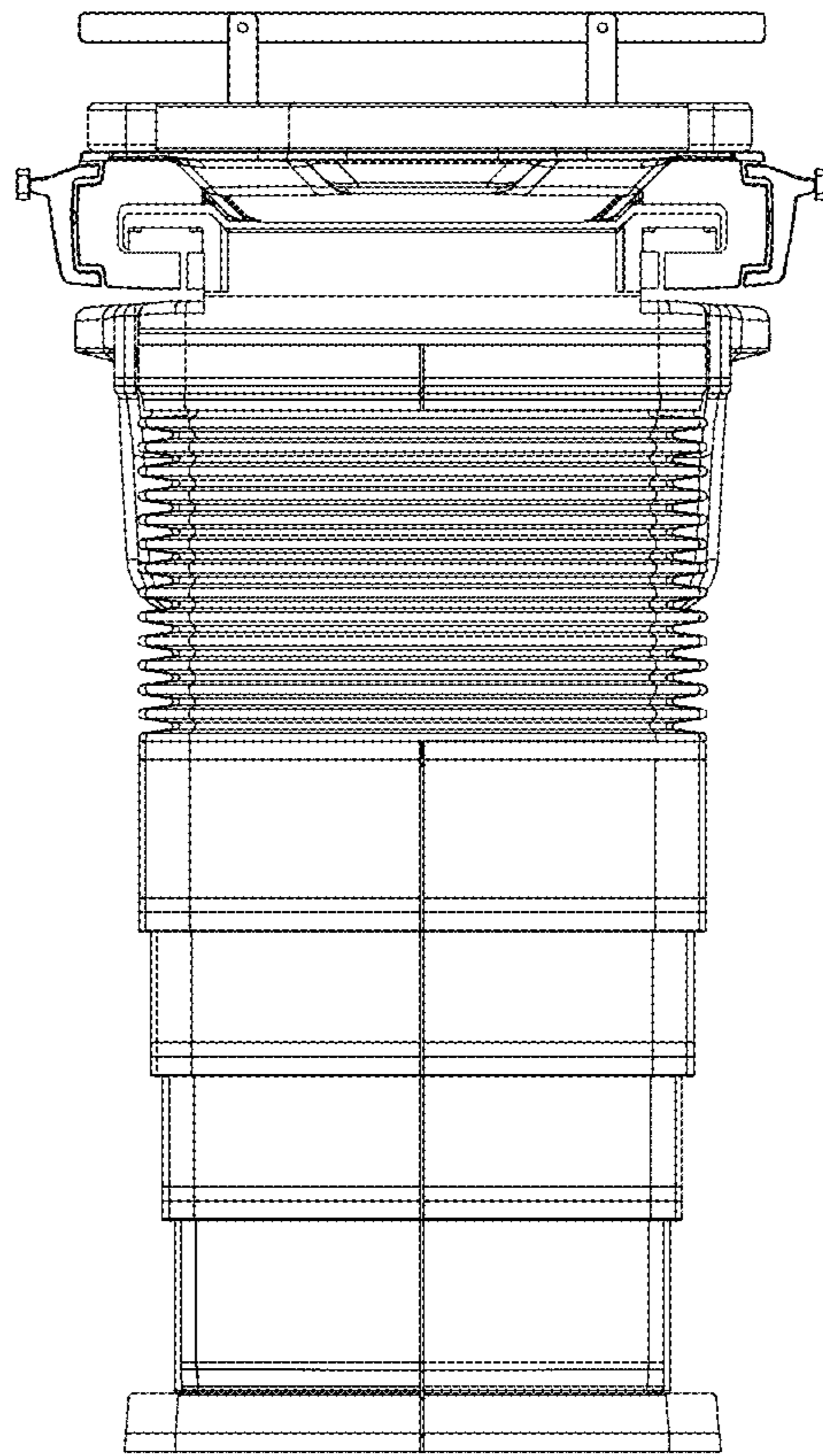


FIG. 1

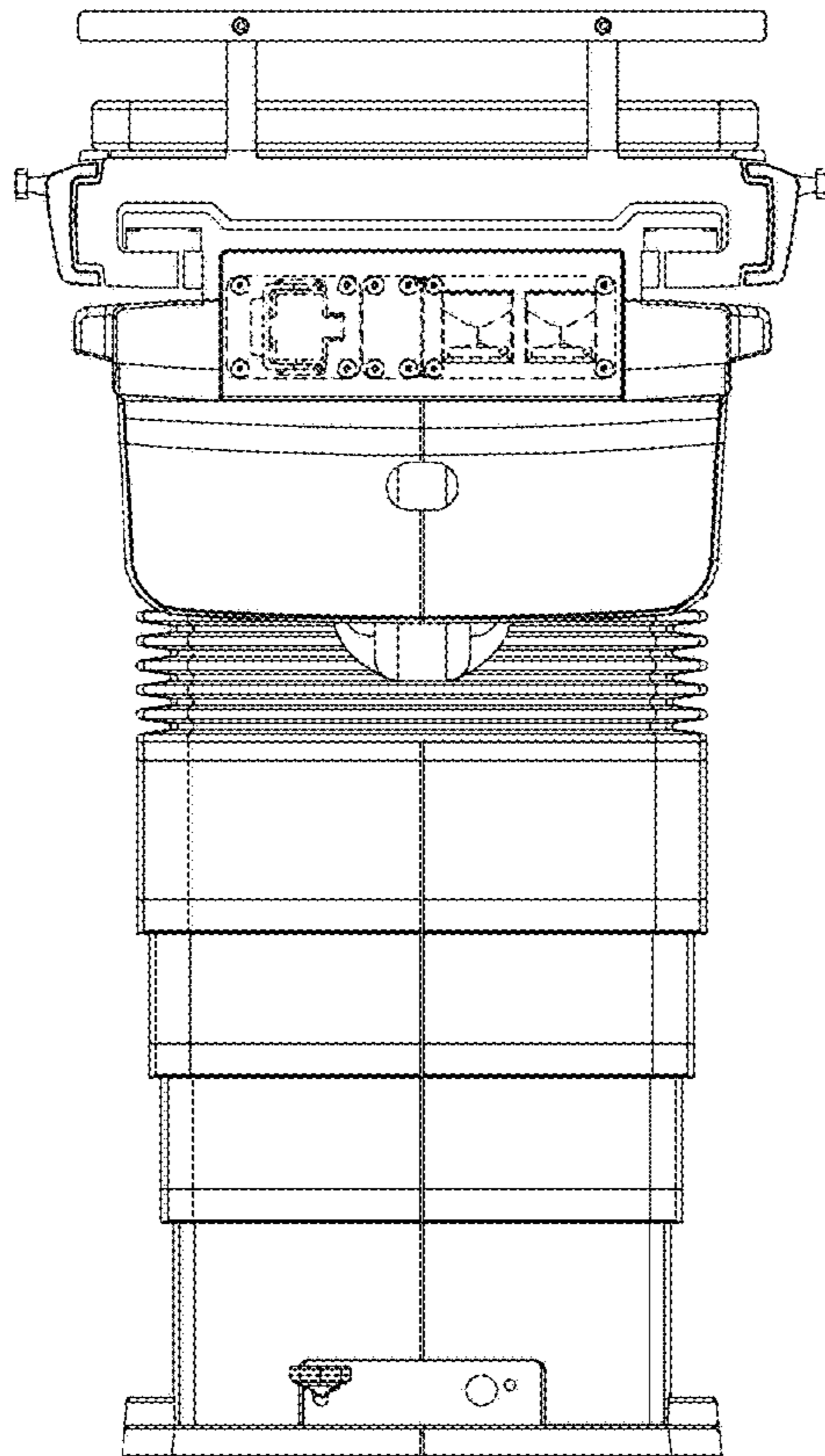


FIG. 2

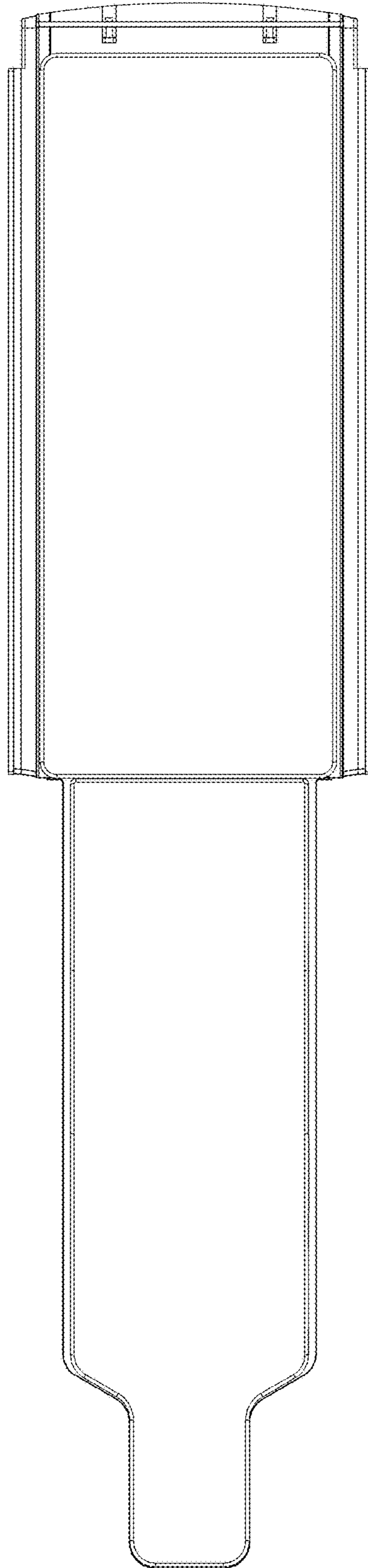


FIG. 3

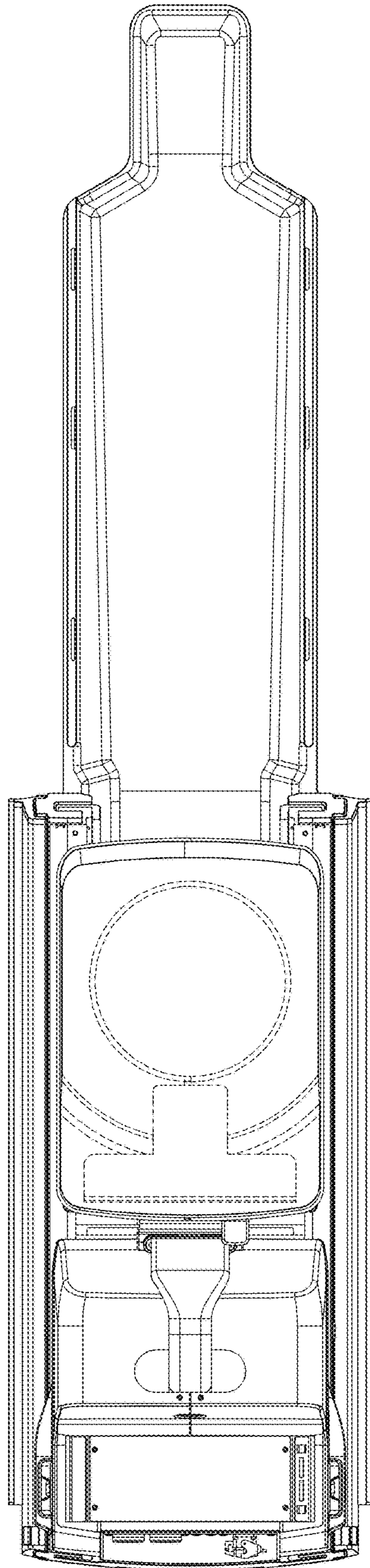


FIG. 4

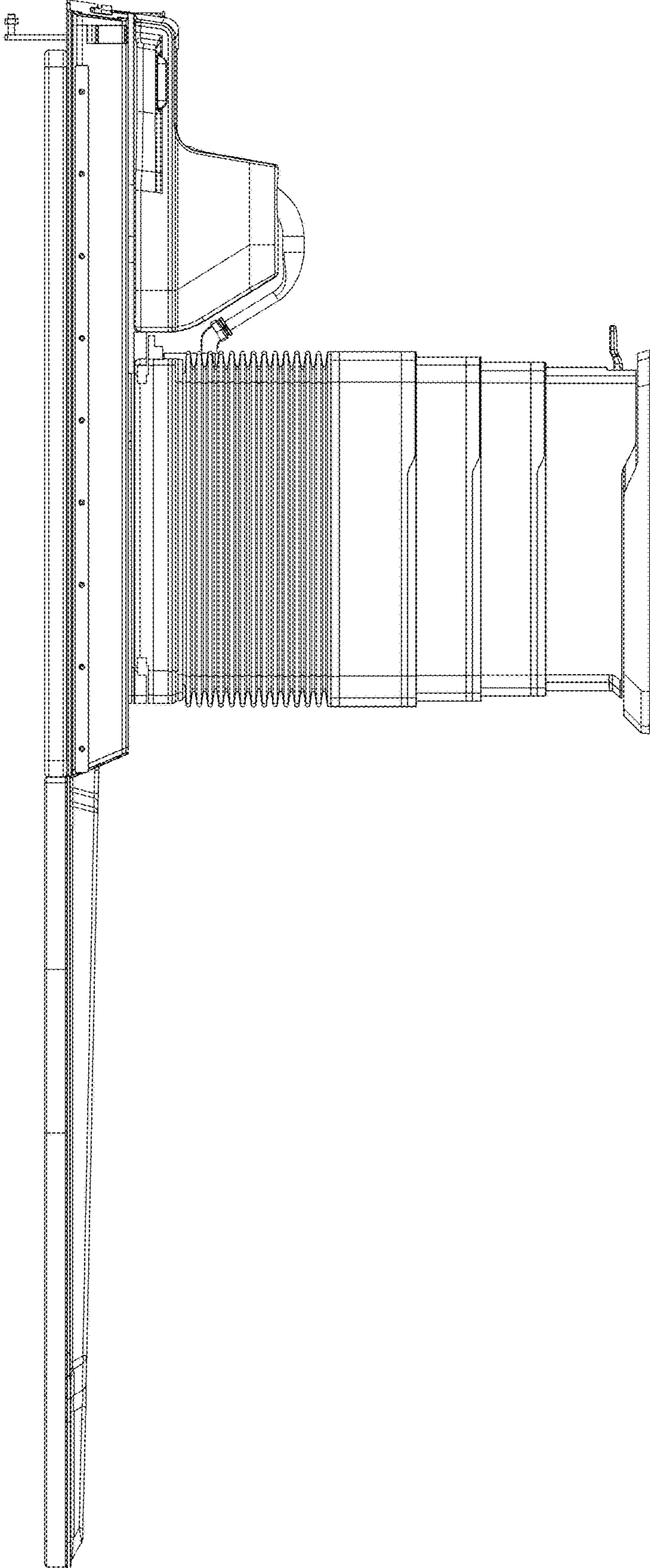


FIG. 5

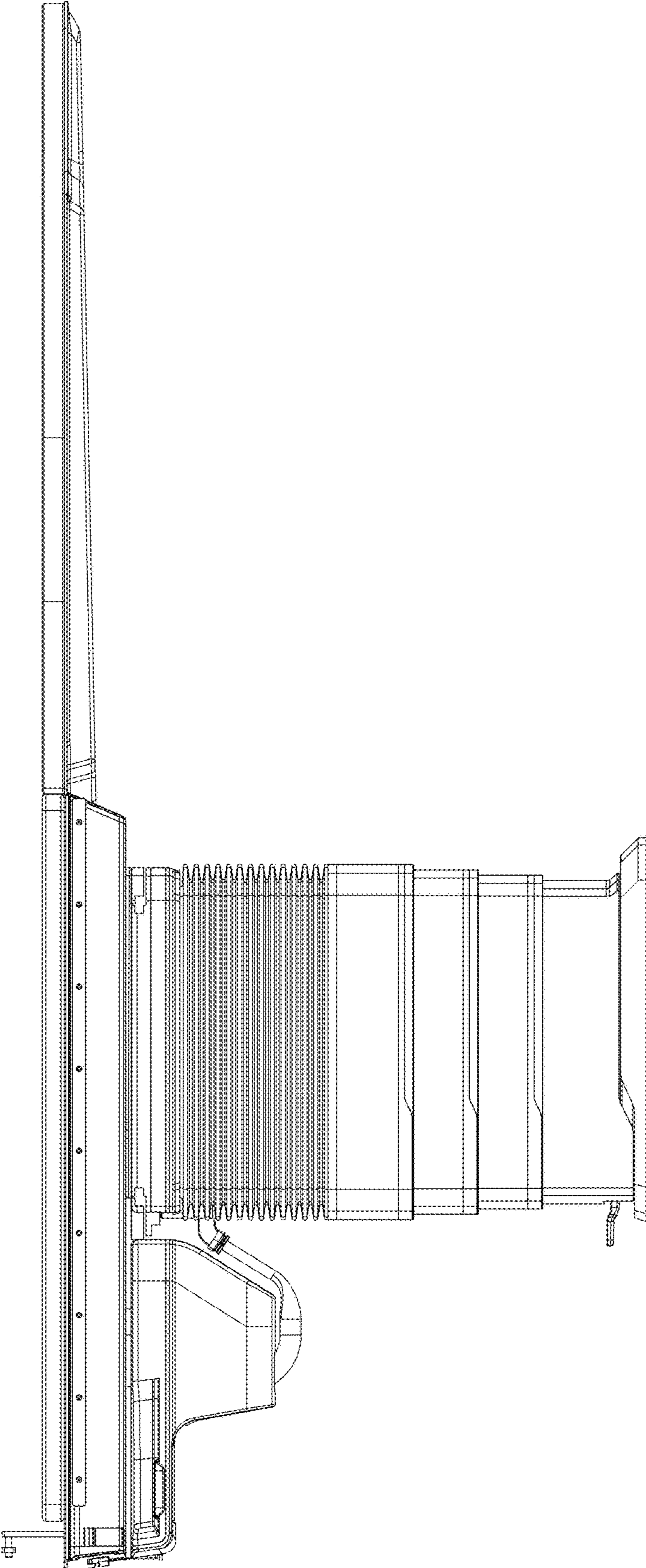


FIG. 6



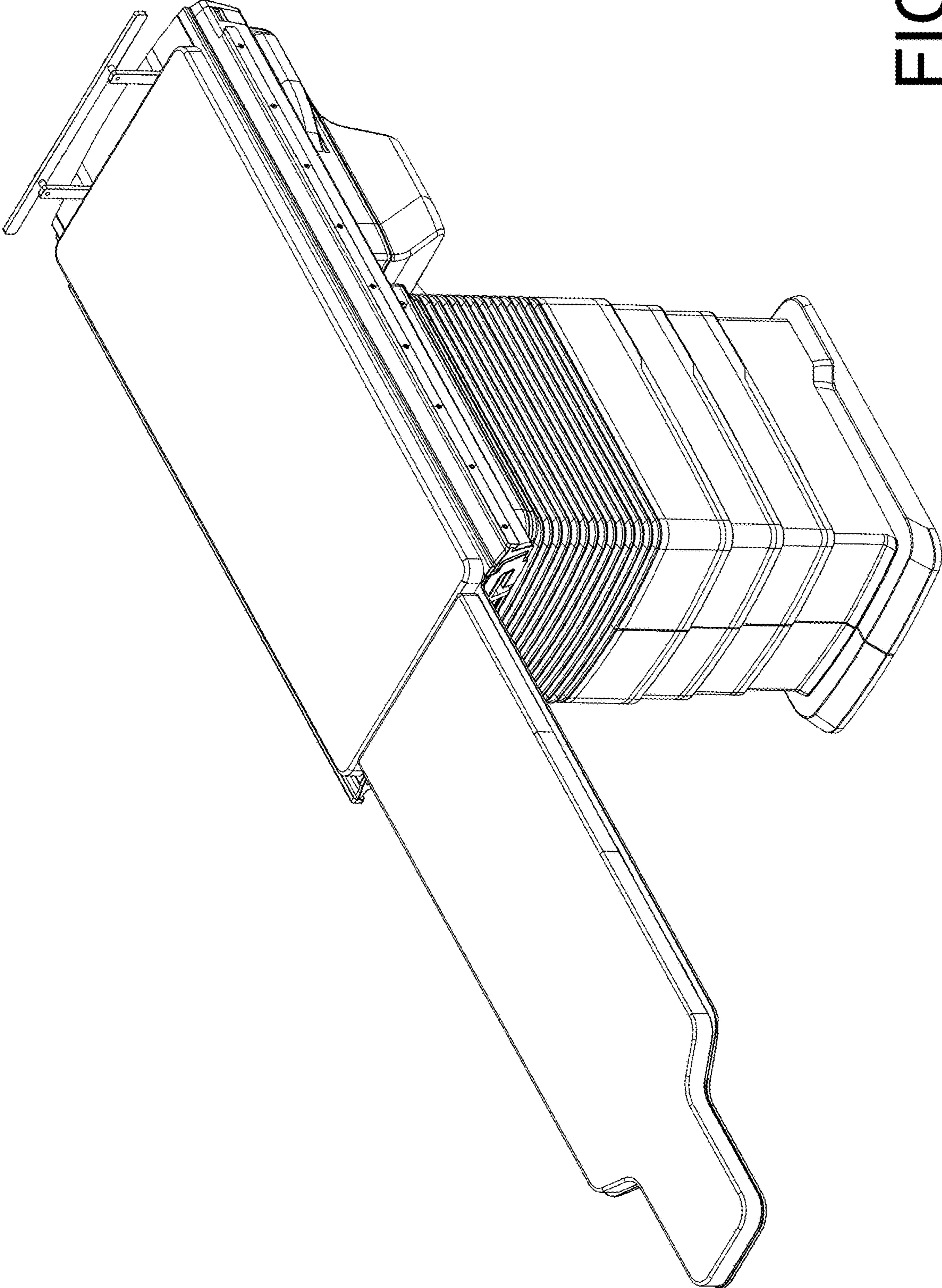


FIG. 7

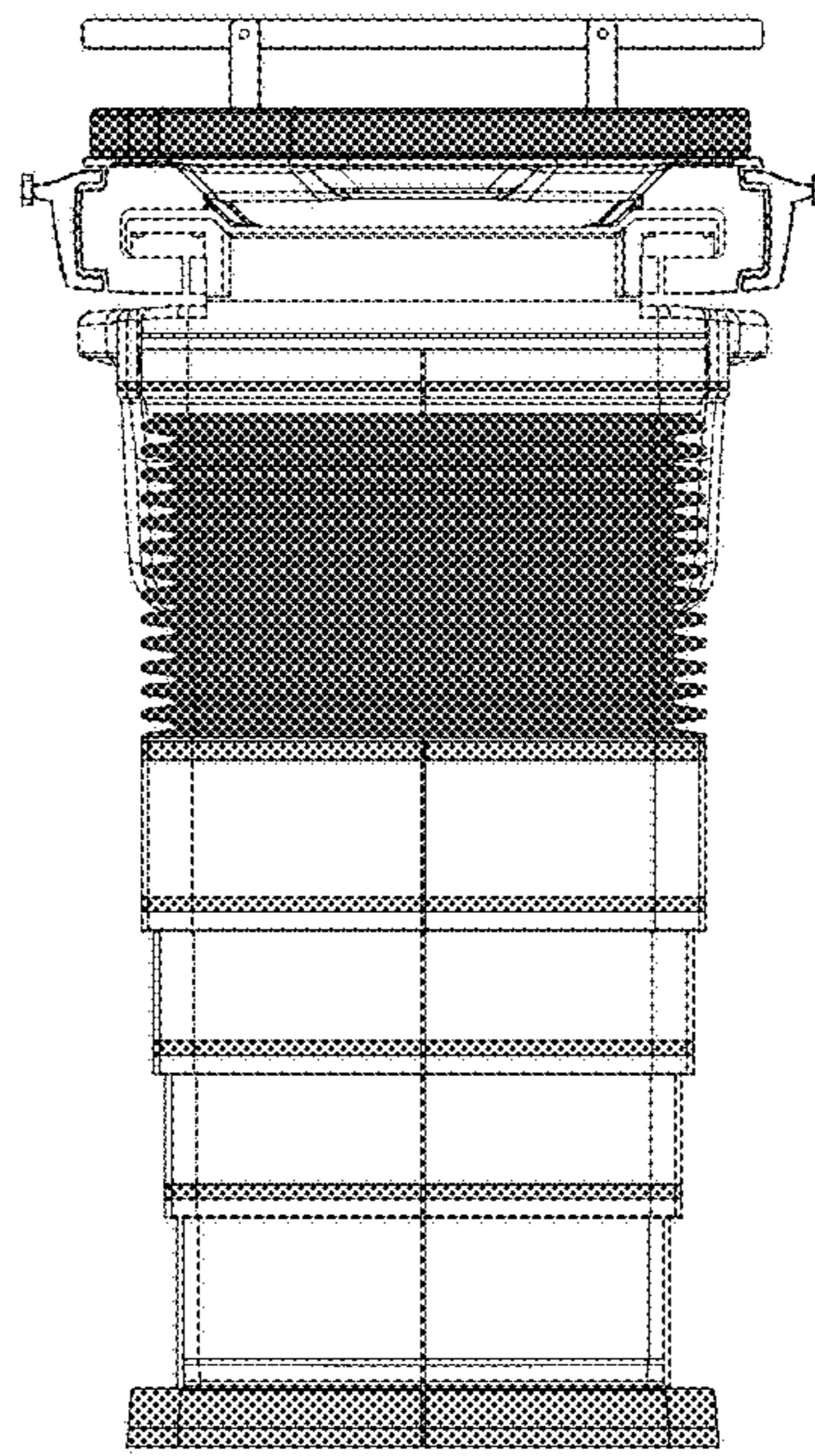


FIG. 8

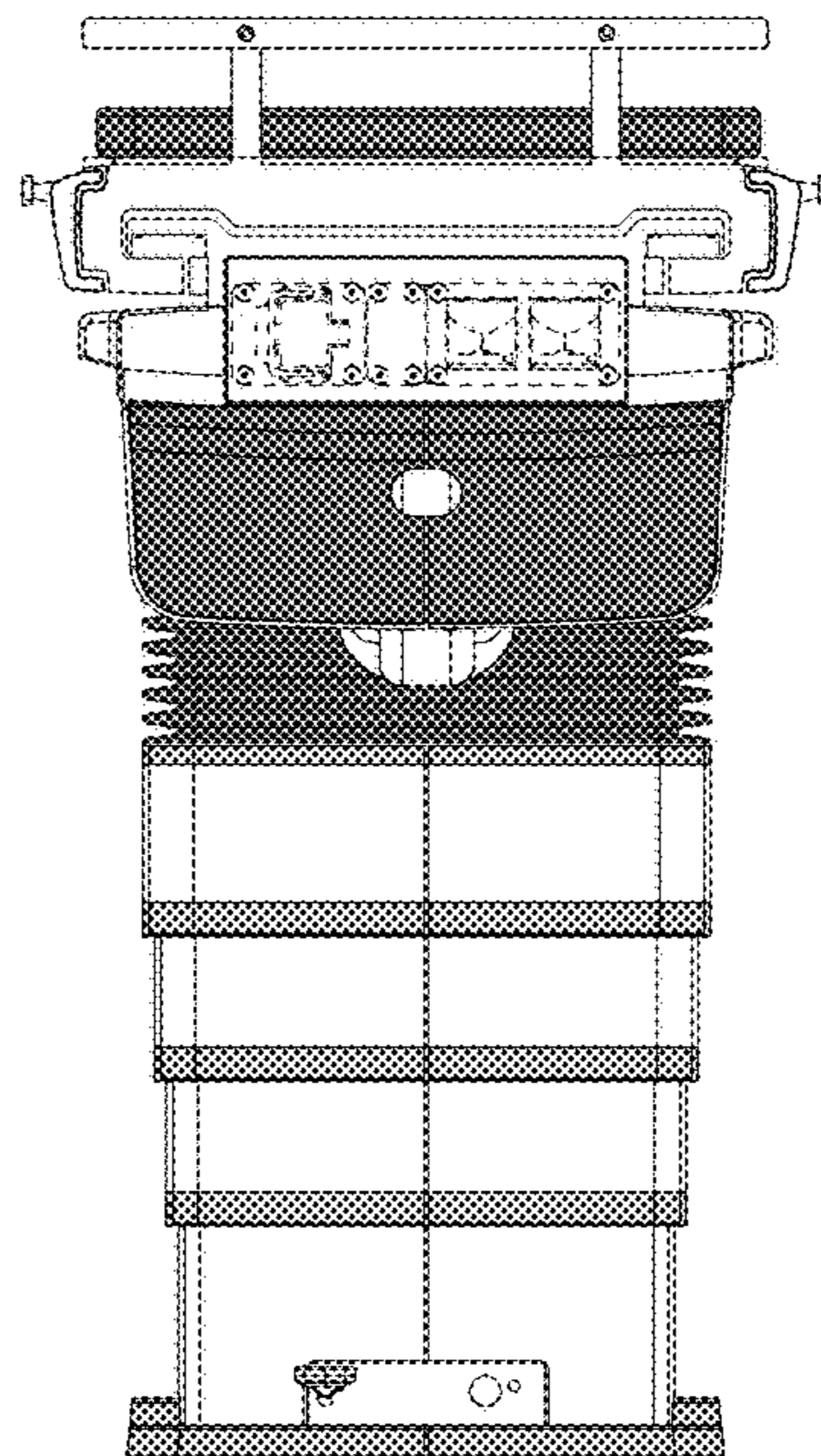


FIG. 9

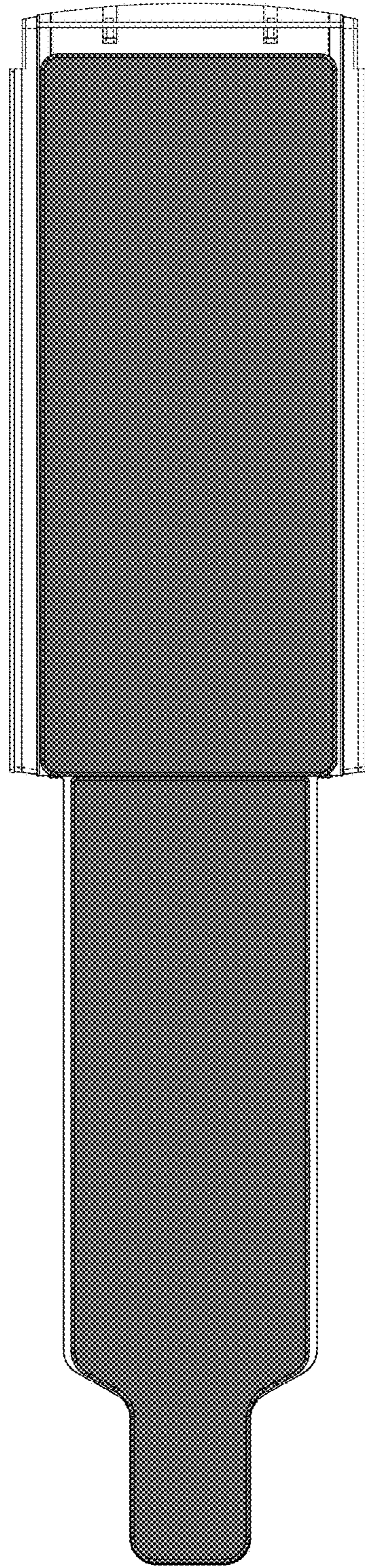


FIG. 10

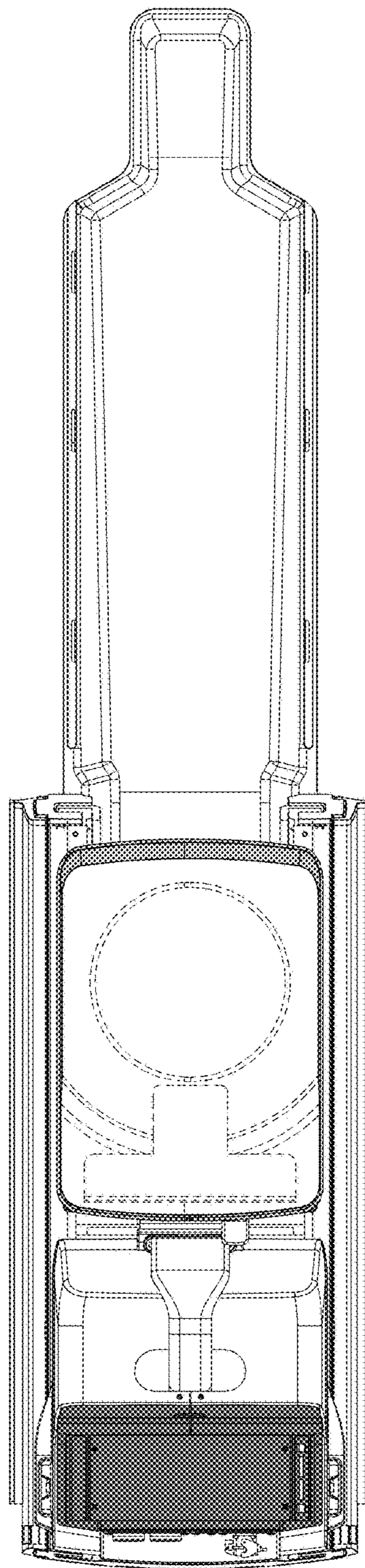


FIG. 11

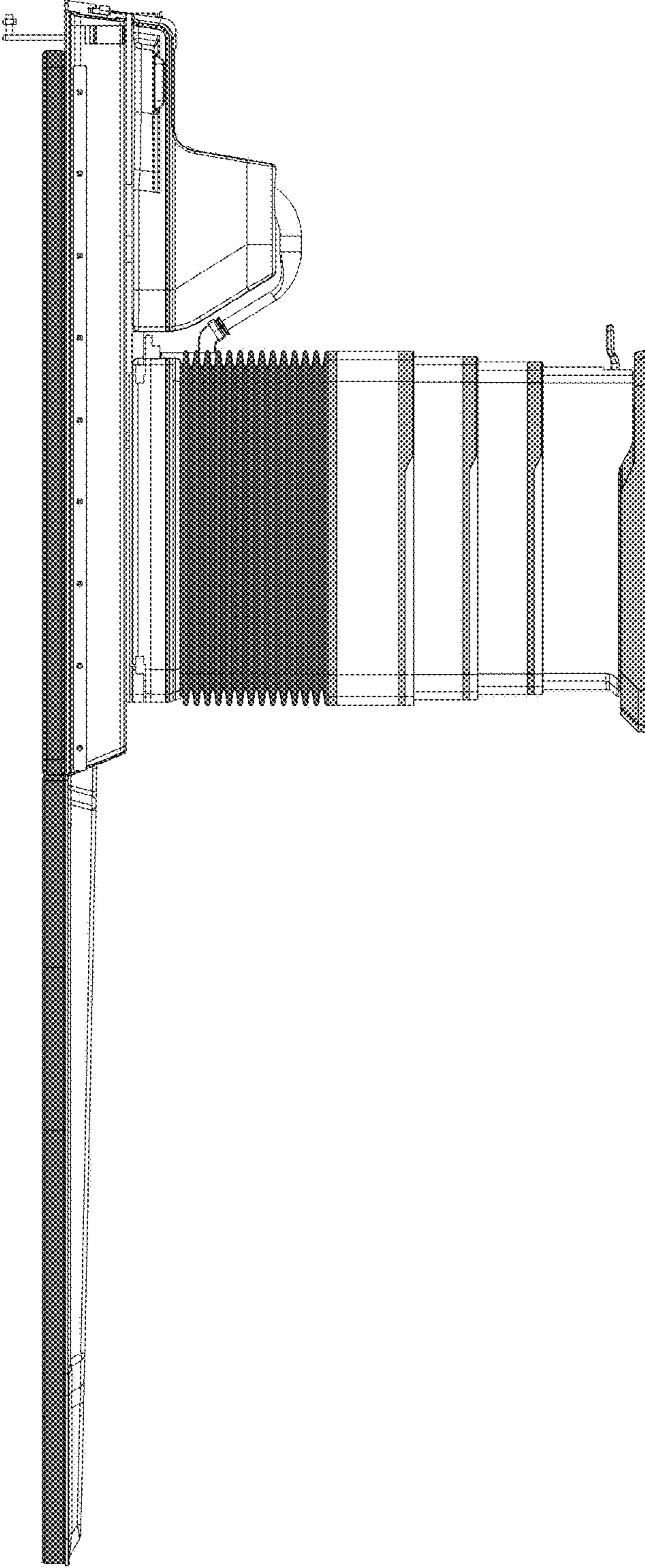


FIG. 12

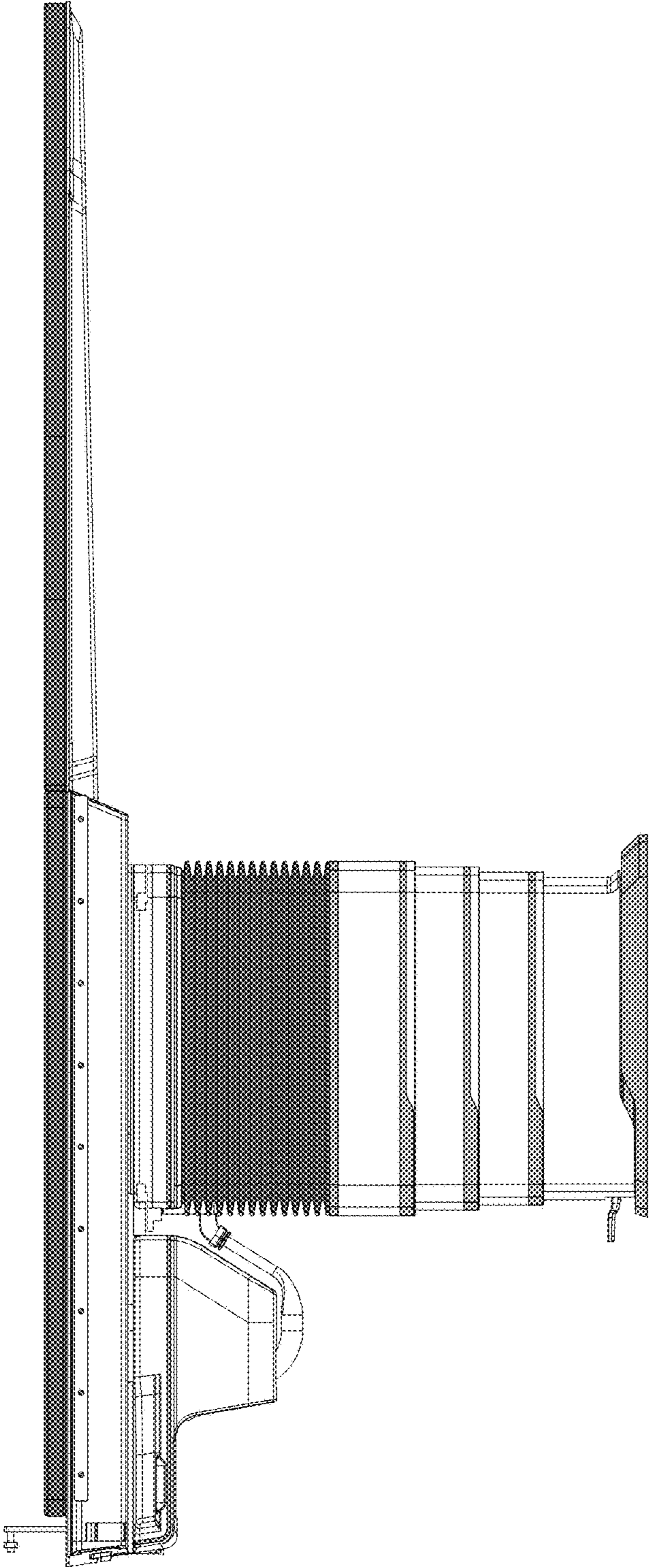


FIG. 13

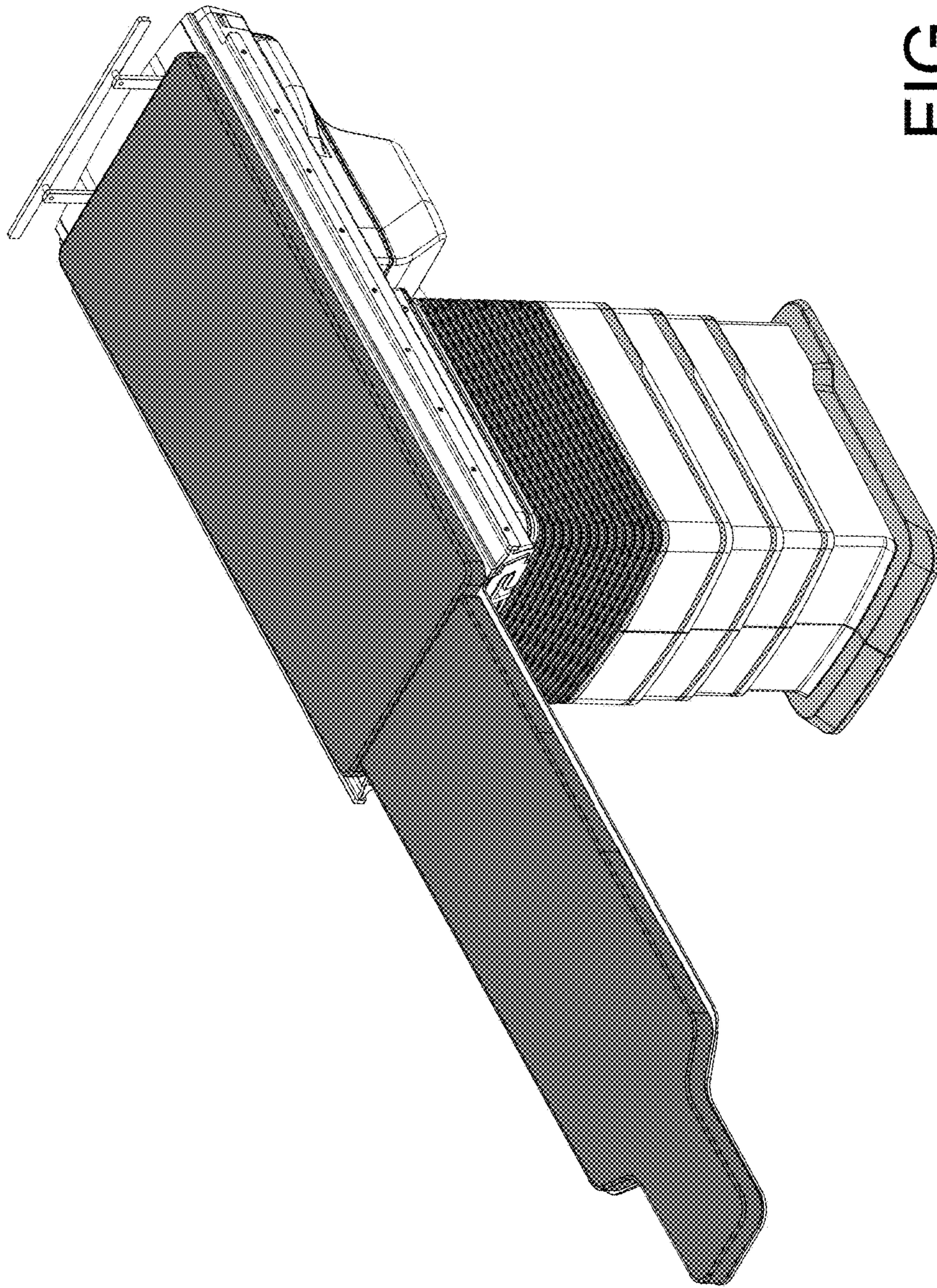


FIG. 14