



US00D843582S

(12) **United States Design Patent** (10) **Patent No.:** **US D843,582 S**
Adler et al. (45) **Date of Patent:** **** Mar. 19, 2019**

(54) **RADIOSURGERY SYSTEM**

(56) **References Cited**

(71) Applicant: **Zap Surgical Systems, Inc.**, San Carlos, CA (US)
(72) Inventors: **John Adler**, Stanford, CA (US); **Younes Achkire**, San Francisco, CA (US); **Yun-Yi Ting**, Taipei (TW); **Ying-Jhang Chen**, Taipei (TW); **Cheng-Chieh Tsai**, Taipei (TW); **Tzu-Cheng Yu**, Taipei (TW); **Mark Brinkerhoff**, San Jose, CA (US); **Thomas Hopmans**, San Carlos, CA (US); **Radhika Mohan Bodduluri**, Palo Alto, CA (US); **Ron Boeder**, San Carlos, CA (US); **Thomas McDermott**, San Carlos, CA (US); **Jin-Wu Wang**, San Carlos, CA (US); **Kaustubh Sonawale**, San Carlos, CA (US)
(73) Assignee: **Zap Surgical Systems, Inc.**, San Carlos, CA (US)

U.S. PATENT DOCUMENTS

5,427,097	A *	6/1995	Depp	A61N 5/1049
					600/427
D564,663	S *	3/2008	Udagawa	D24/158
D750,253	S *	2/2016	Liu	D24/158
D766,441	S *	9/2016	Liu	D24/159
D795,435	S *	8/2017	Liu	D24/158
D804,031	S *	11/2017	Hsu	D24/158
2006/0233303	A1 *	10/2006	Carlsson	A61N 5/1049
					378/68
2014/0064440	A1 *	3/2014	Hara	A61B 6/508
					378/4
2014/0171725	A1 *	6/2014	Adler	A61N 5/1082
					600/1

* cited by examiner

Primary Examiner — Anhdao Doan

(74) *Attorney, Agent, or Firm* — Kilpatrick Townsend and Stockton LLP

(57) **CLAIM**

The ornamental design for a radiosurgery system, as shown and described.

DESCRIPTION

FIG. 1 is a front perspective view of the radiosurgery system showing our new design;
FIG. 2 is a rear perspective view thereof;
FIG. 3 is a front elevational view thereof;
FIG. 4 is a rear elevational view thereof;
FIG. 5 is a right side elevational view thereof;
FIG. 6 is a left side elevational view thereof;
FIG. 7 is a top view thereof; and,
FIG. 8 is a bottom view thereof.
The portions shown in broken line form no part of the claimed design.

(**) Term: **15 Years**

(21) Appl. No.: **29/616,477**

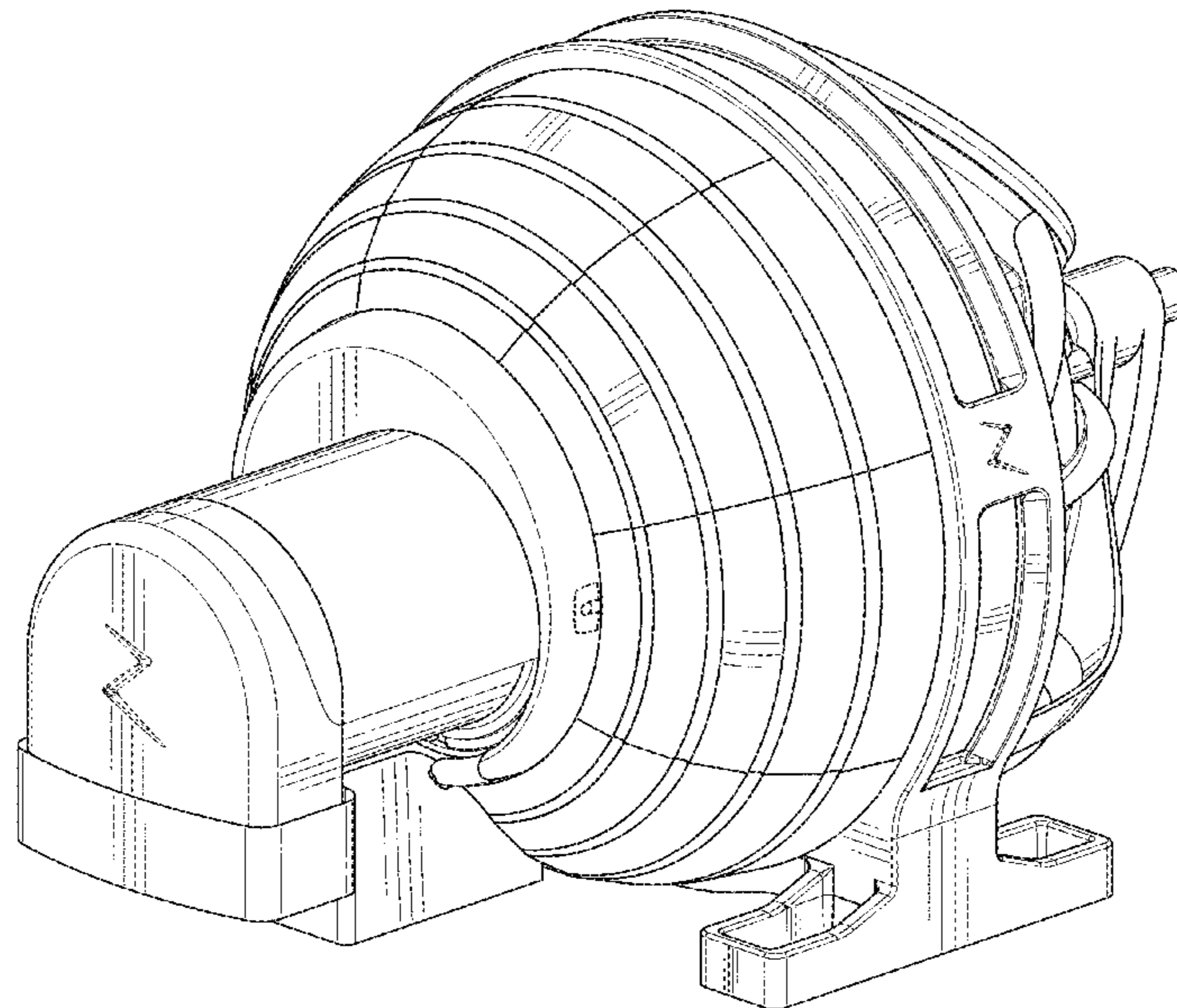
(22) Filed: **Sep. 6, 2017**

(51) **LOC (11) Cl.** **24-01**

(52) **U.S. Cl.**
USPC **D24/158**

(58) **Field of Classification Search**
USPC D24/158-161, 185, 186, 107
CPC A61N 2005/1061; A61N 5/10; A61N 5/1081; A61N 5/1048; A61N 5/1049
See application file for complete search history.

1 Claim, 8 Drawing Sheets



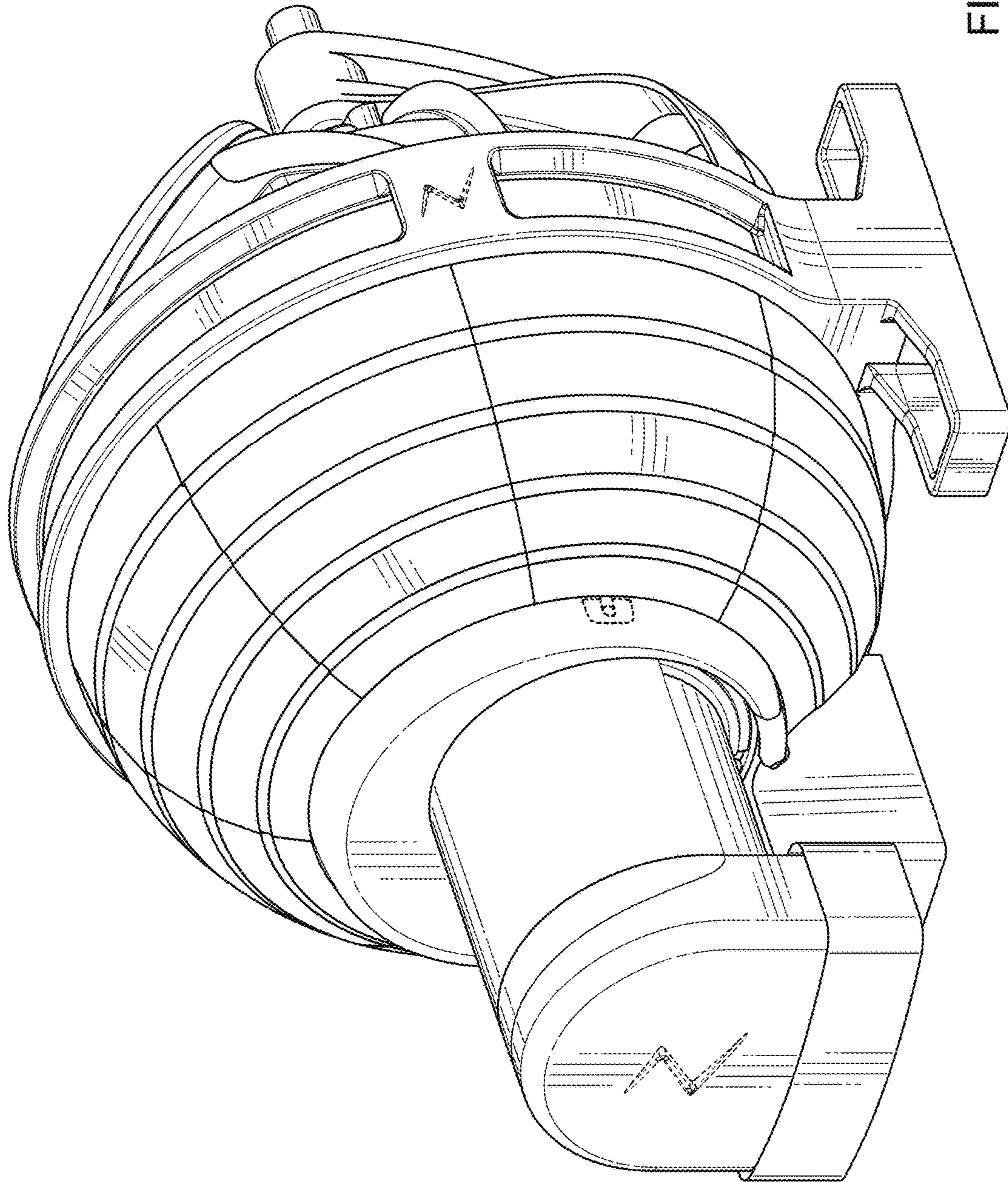


FIG. 1

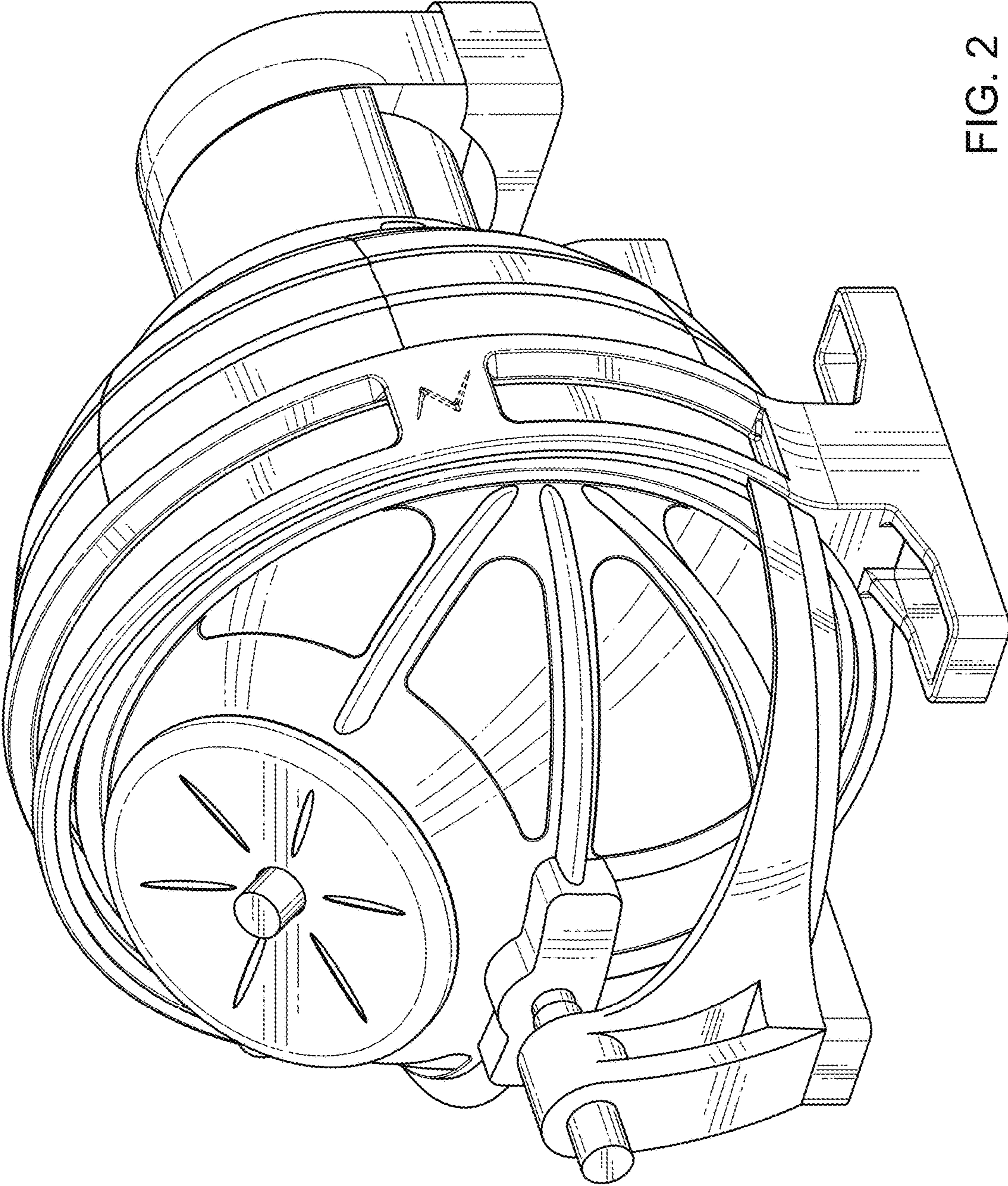


FIG. 2

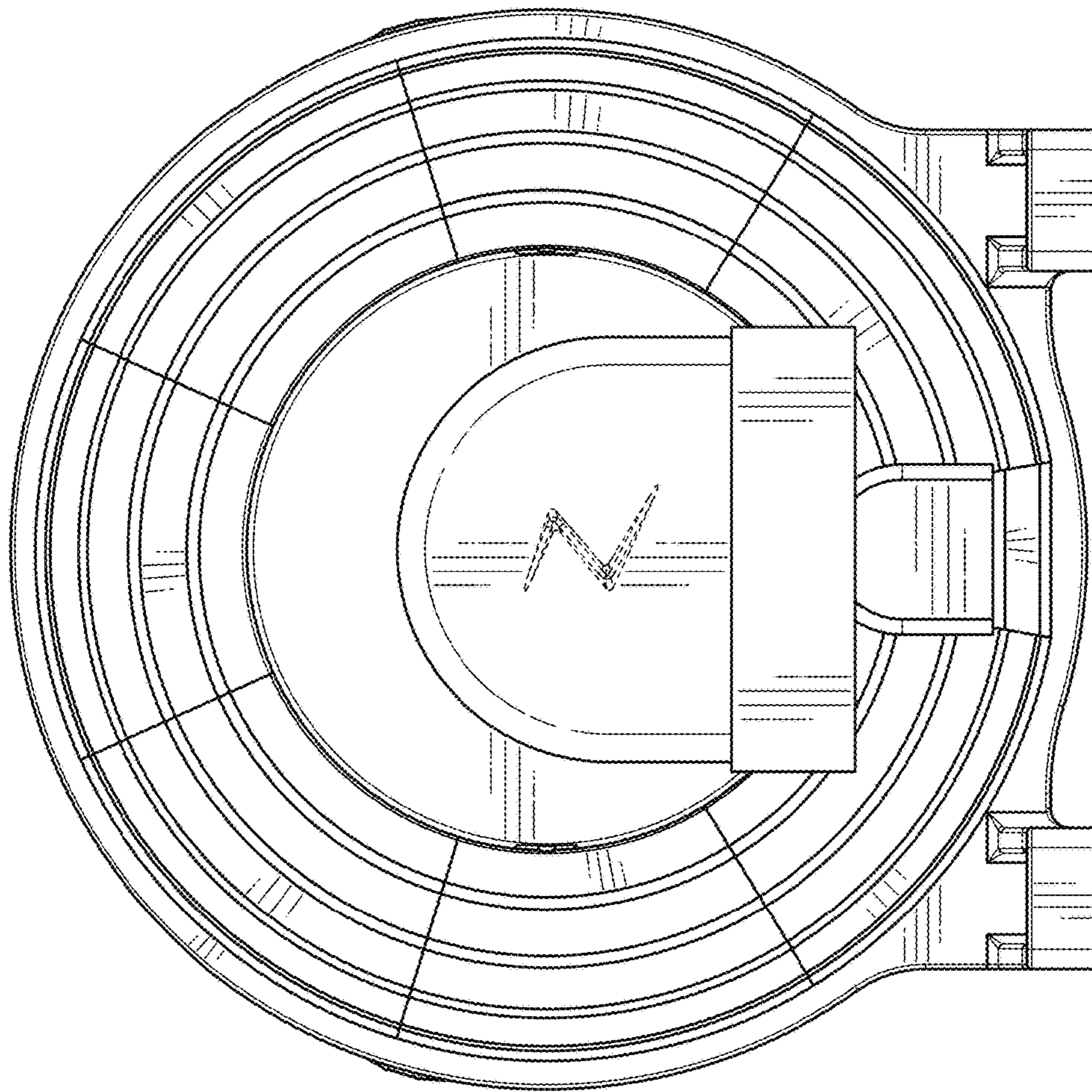


FIG. 3

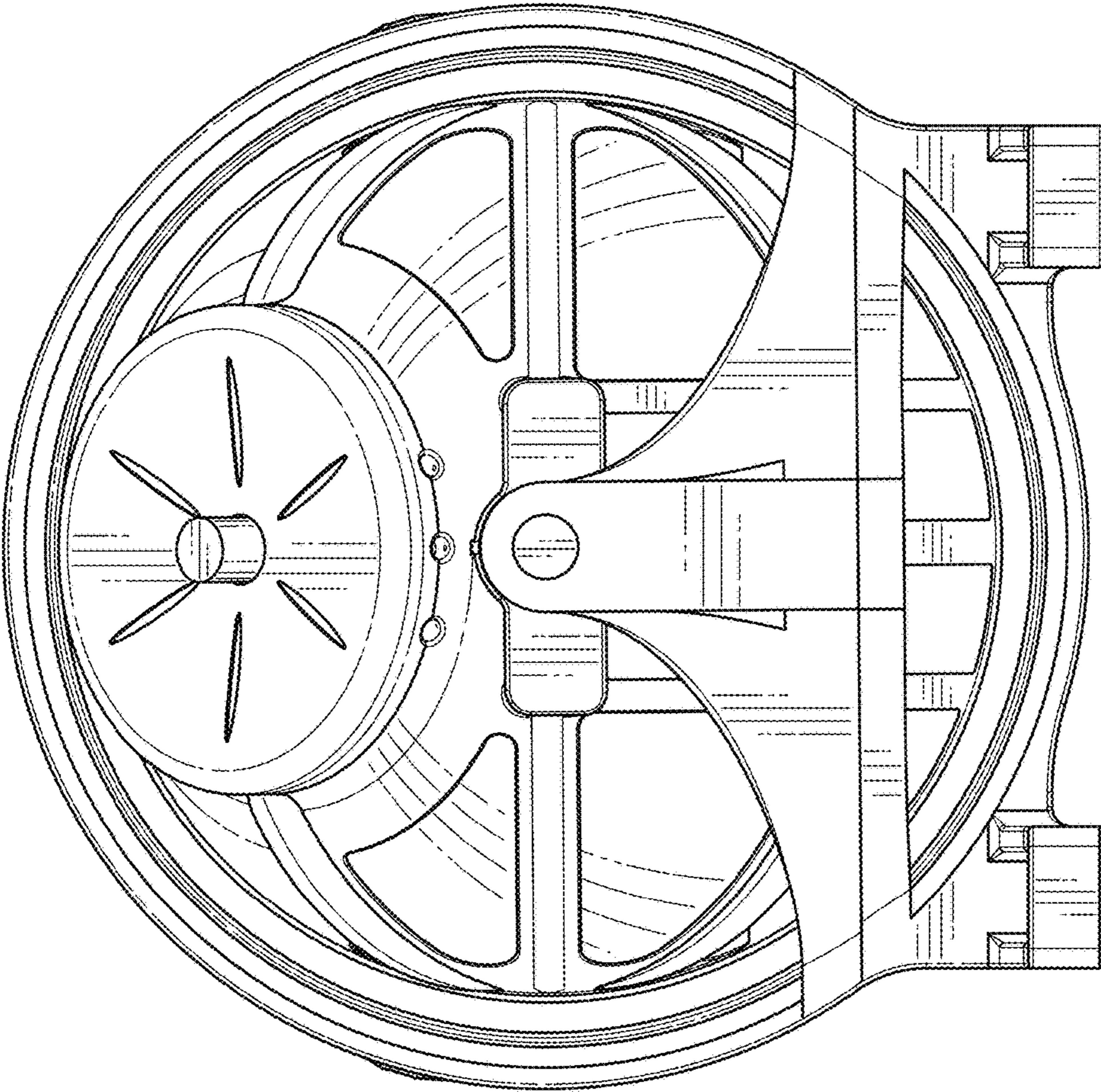


FIG. 4

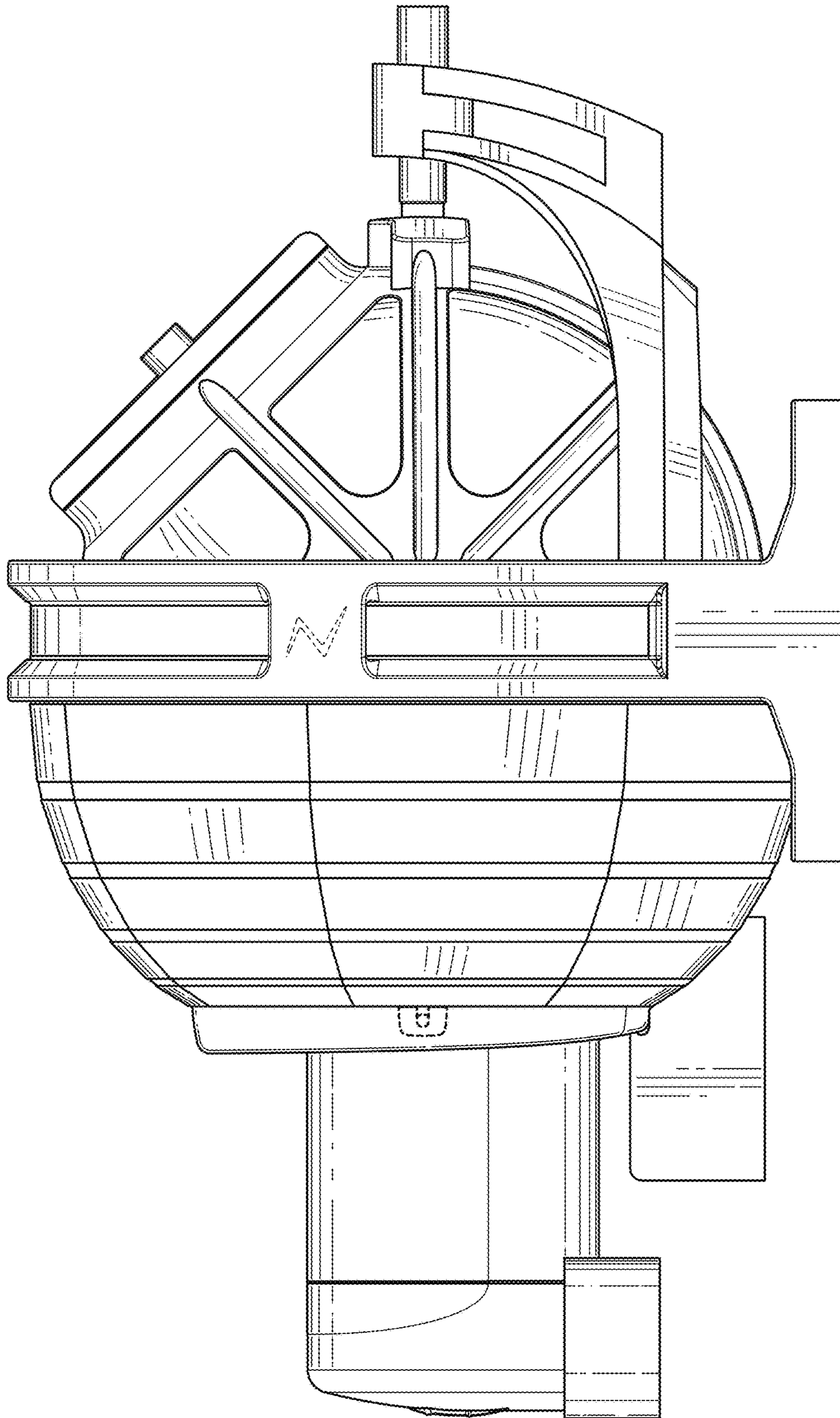


FIG. 5

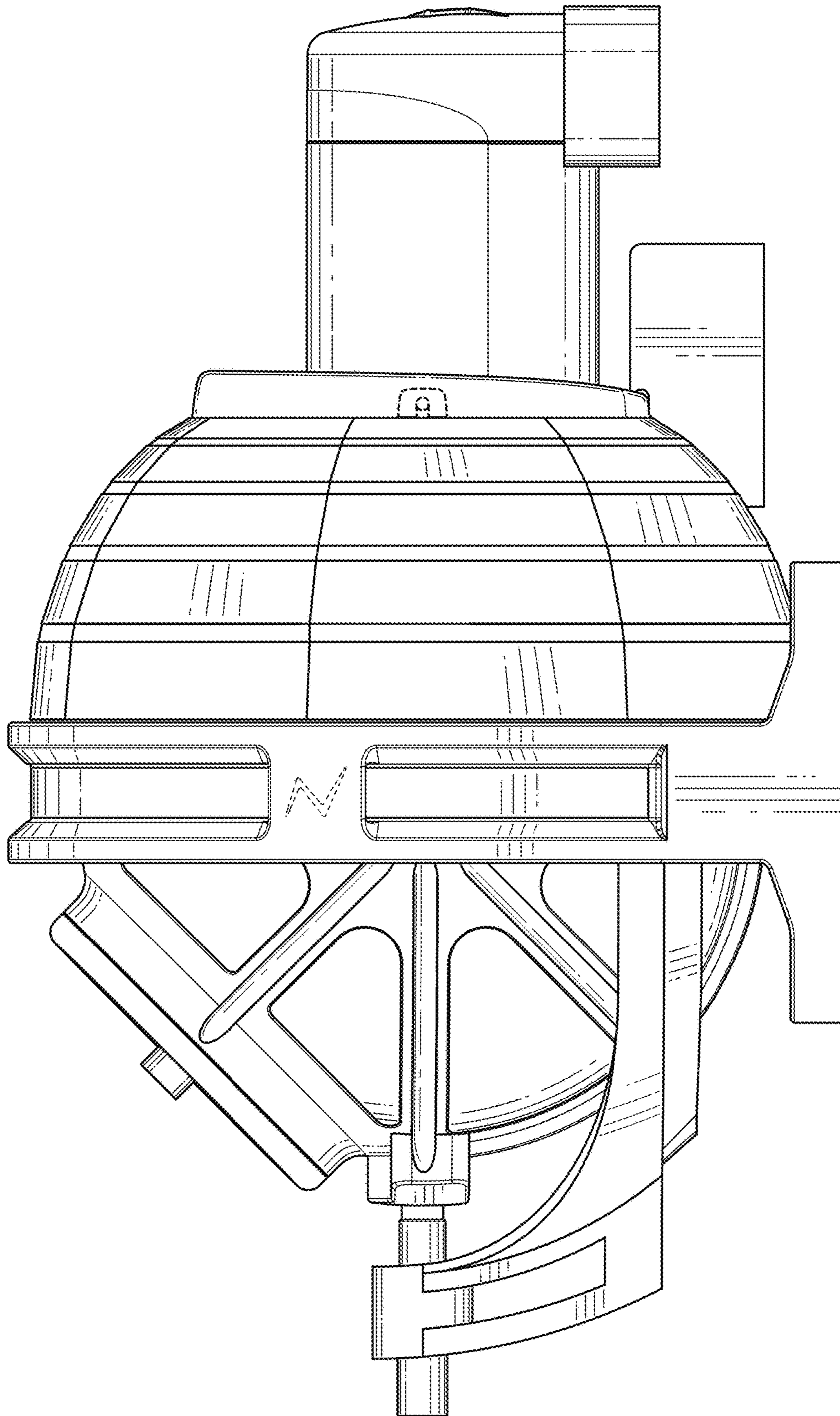


FIG. 6

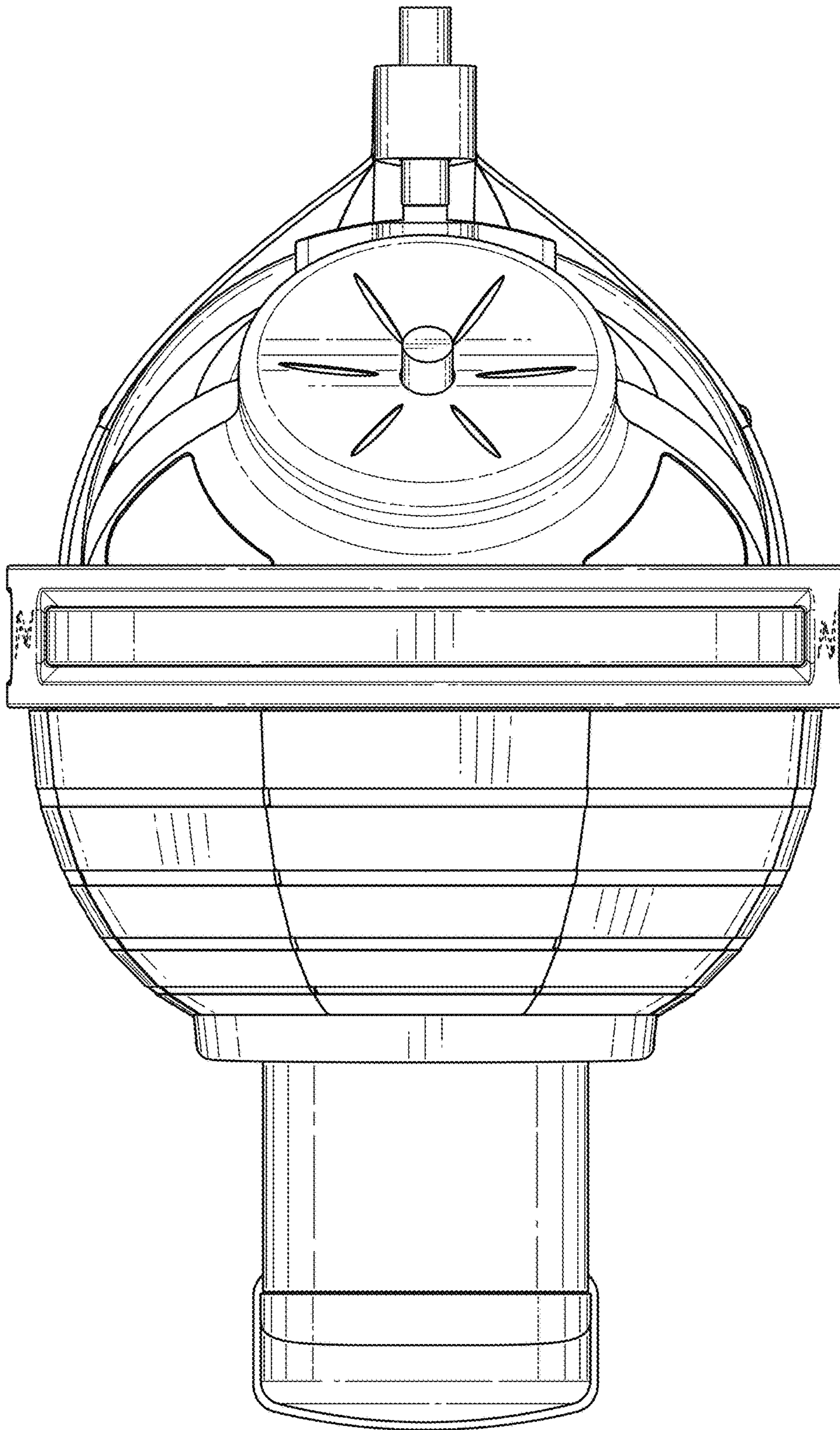


FIG. 7

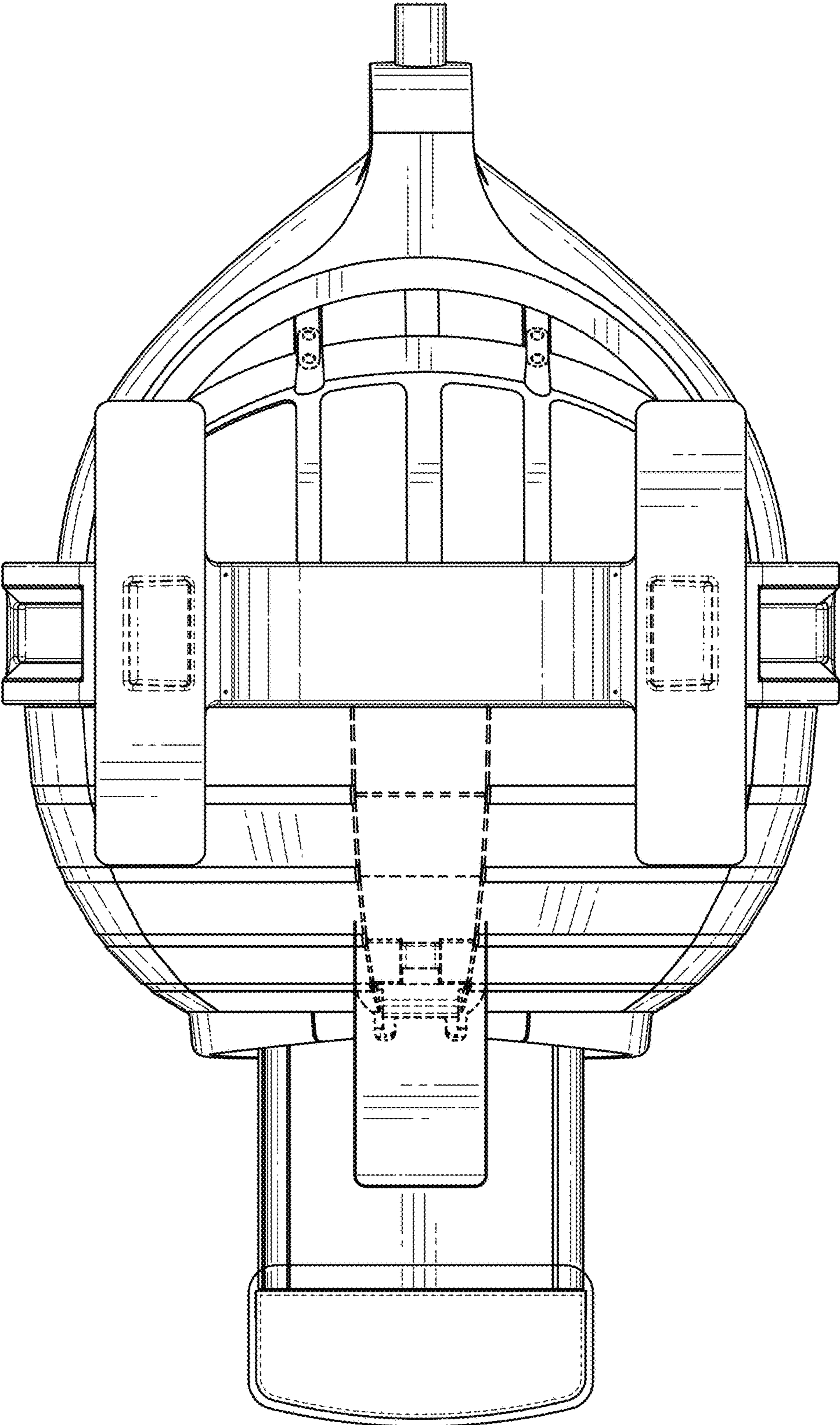


FIG. 8