



US00D843580S

(12) **United States Design Patent**
Eckert et al.

(10) **Patent No.:** **US D843,580 S**
(45) **Date of Patent:** **** Mar. 19, 2019**

(54) **PLASMA ARRAY CONNECTOR DEVICE**

(71) Applicant: **ChiScan Holdings, LLC**, Las Vegas, NV (US)

(72) Inventors: **Bryon K. Eckert**, Chandler, AZ (US);
Bradley N. Eckert, Chandler, AZ (US);
Huan Truong, Chandler, AZ (US)

(73) Assignee: **Chiscan Holdings, L.L.C.**, Las Vegas, NV (US)

(**) Term: **15 Years**

(21) Appl. No.: **29/614,856**

(22) Filed: **Aug. 23, 2017**

(51) **LOC (11) Cl.** **24-01**

(52) **U.S. Cl.**
USPC **D24/158**

(58) **Field of Classification Search**
USPC D24/107, 158-161, 185, 186, 187, 231,
D24/232; D13/182
CPC H05H 1/2406; H05H 2001/2412; H05H
2240/20; A61N 5/00
See application file for complete search history.

(56) **References Cited**

U.S. PATENT DOCUMENTS

D363,989 S *	11/1995	Crouse	D24/187
D377,219 S *	1/1997	Strand	D24/187
D614,305 S *	4/2010	Al-Ali	D24/187
D621,507 S *	8/2010	Romero	D13/154
D763,938 S *	8/2016	Muehlemann	D24/187
9,572,241 B1 *	2/2017	Eckert	H05H 1/2406
D781,294 S *	3/2017	Schwalbach	D14/433
9,826,618 B2 *	11/2017	Eckert	H05H 1/2406
D807,512 S *	1/2018	Raisanen	D24/186

* cited by examiner

Primary Examiner — Anhdao Doan

(74) *Attorney, Agent, or Firm* — Quarles & Brady LLP

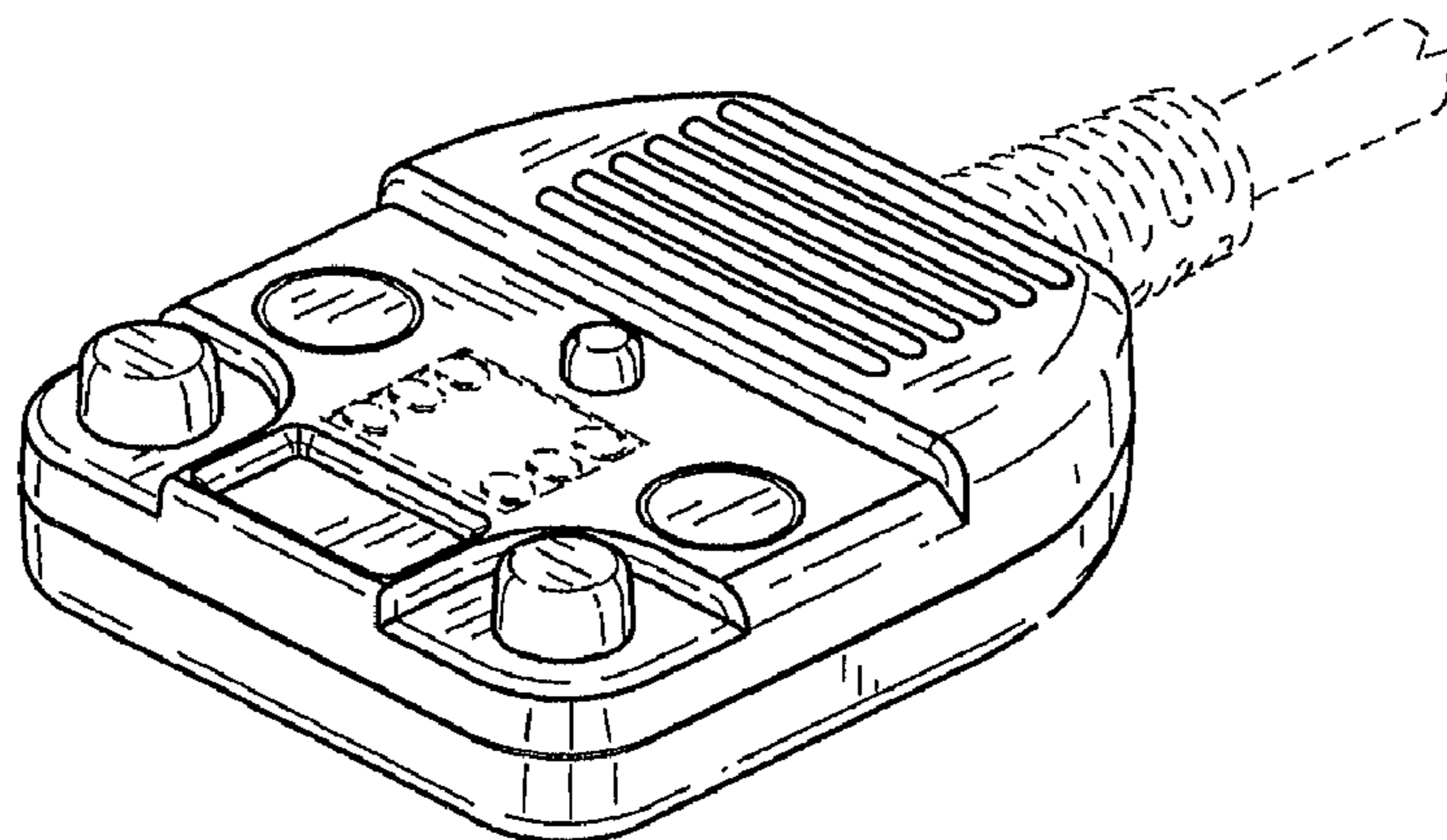
(57) **CLAIM**

The ornamental design for a plasma array connector device, as shown and described.

DESCRIPTION

FIG. 1 is an isometric view of a front, top, and left side of an ornamental design for a plasma connector device.
 FIG. 2 is an isometric view of a rear, bottom, and left side of the device of FIG. 1.
 FIG. 3 is a top view of the device of FIG. 1.
 FIG. 4 is a bottom view of the device of FIG. 1.
 FIG. 5 is a left side view of the device of FIG. 1.
 FIG. 6 is a right side view of the device of FIG. 1.
 FIG. 7 is a front side view of the device of FIG. 1.
 FIG. 8 is a rear side view of the device of FIG. 1.
 FIG. 9 is an isometric view of a front, top, and left side of the device of FIG. 1 connected to a plasma array.
 FIG. 10 is an isometric view of a rear, bottom, and left side of the device of FIG. 1 connected to a plasma array.
 FIG. 11 is a top view of the device of FIG. 1 connected to a plasma array.
 FIG. 12 is a bottom view of the device of FIG. 1 connected to a plasma array.
 FIG. 13 is a left side view of the device of FIG. 1 connected to a plasma array.
 FIG. 14 is a right side view of the device of FIG. 1 connected to a plasma array.
 FIG. 15 is a front side view of the device of FIG. 1 connected to a plasma array; and,
 FIG. 16 is a rear side view of the device of FIG. 1 connected to a plasma array.
 The dash-dash-dash lines are included for the purpose of illustrating portions that form no part of the claimed design.

1 Claim, 8 Drawing Sheets



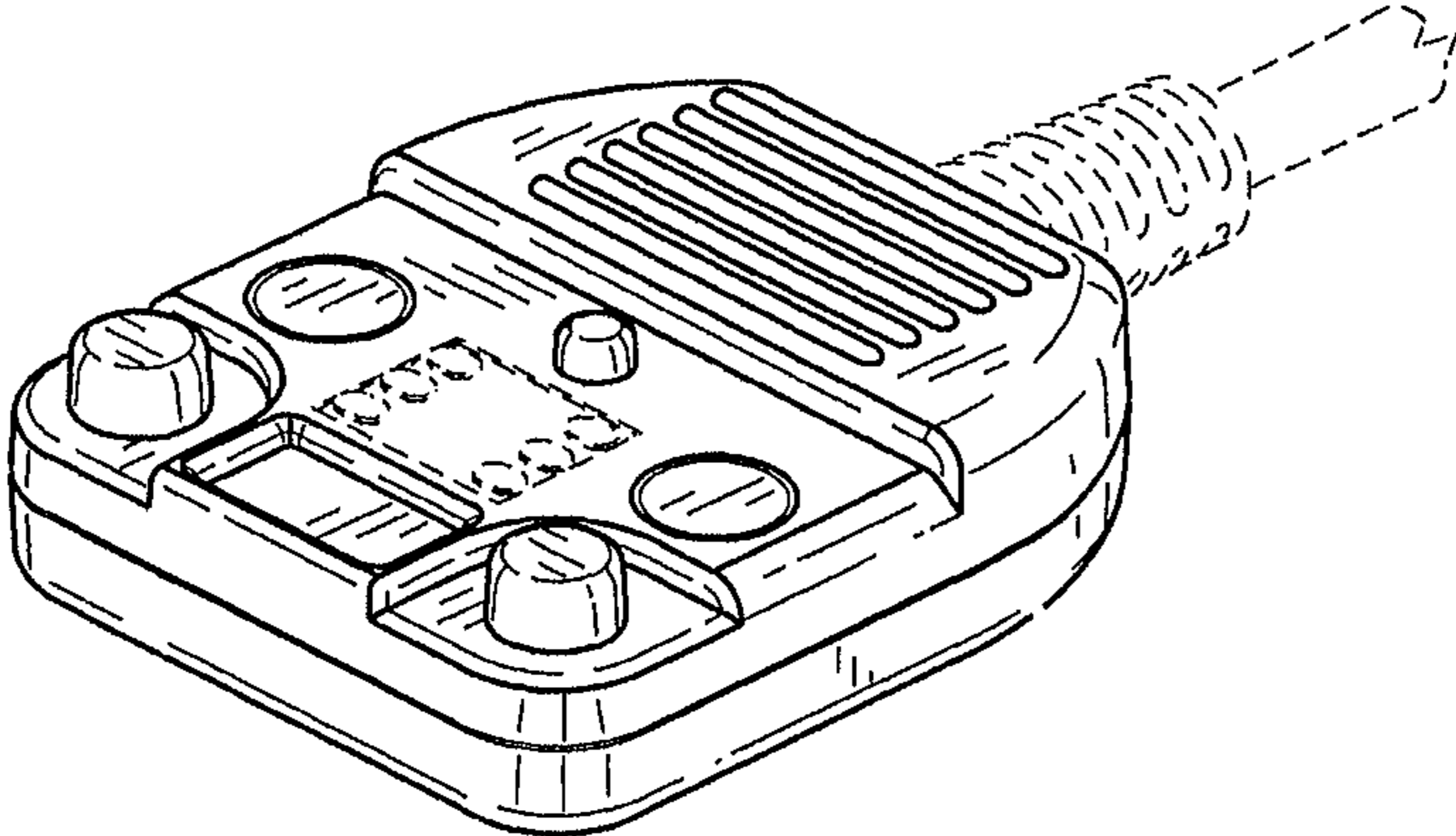


FIG. 1

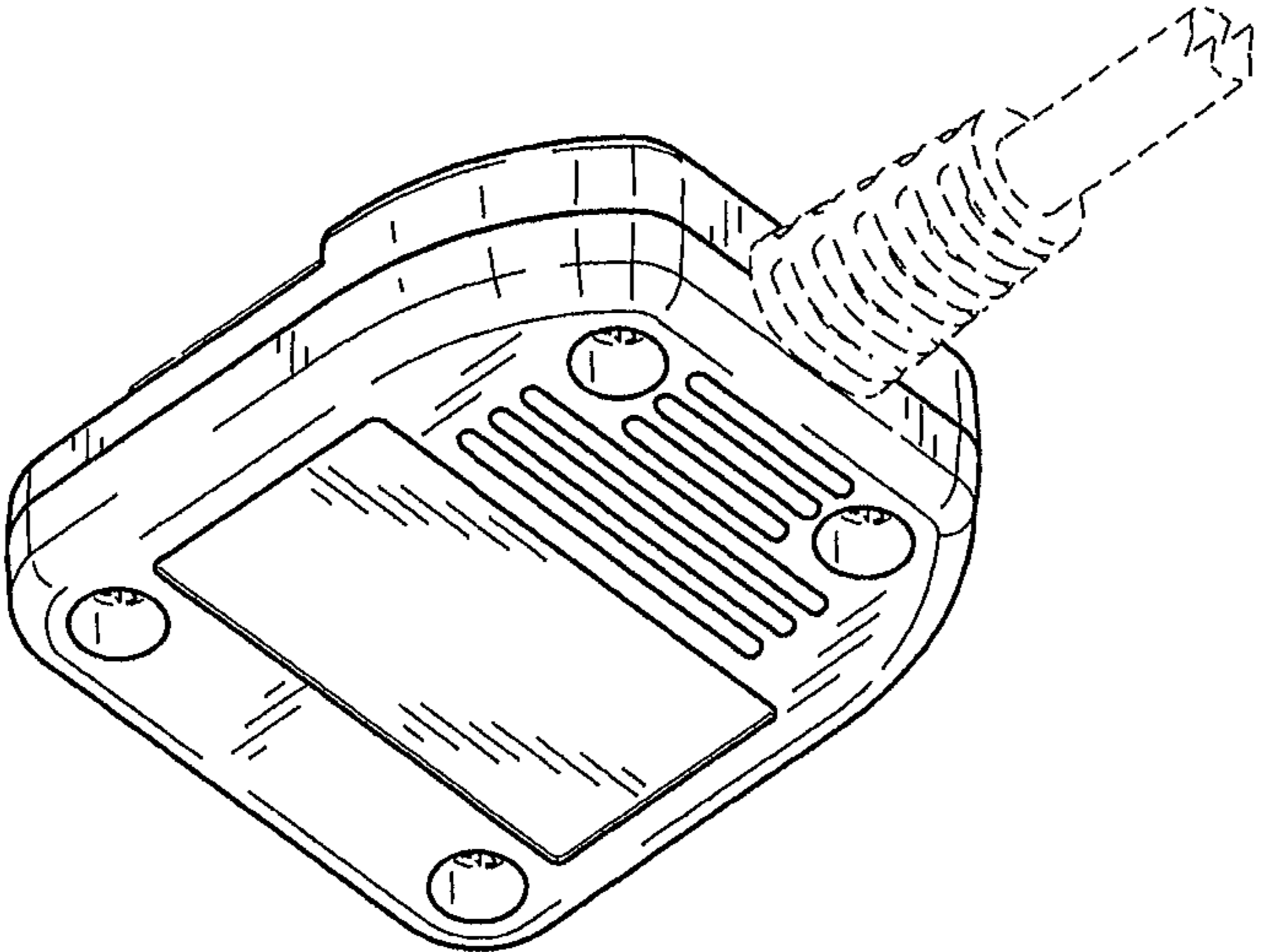


FIG. 2

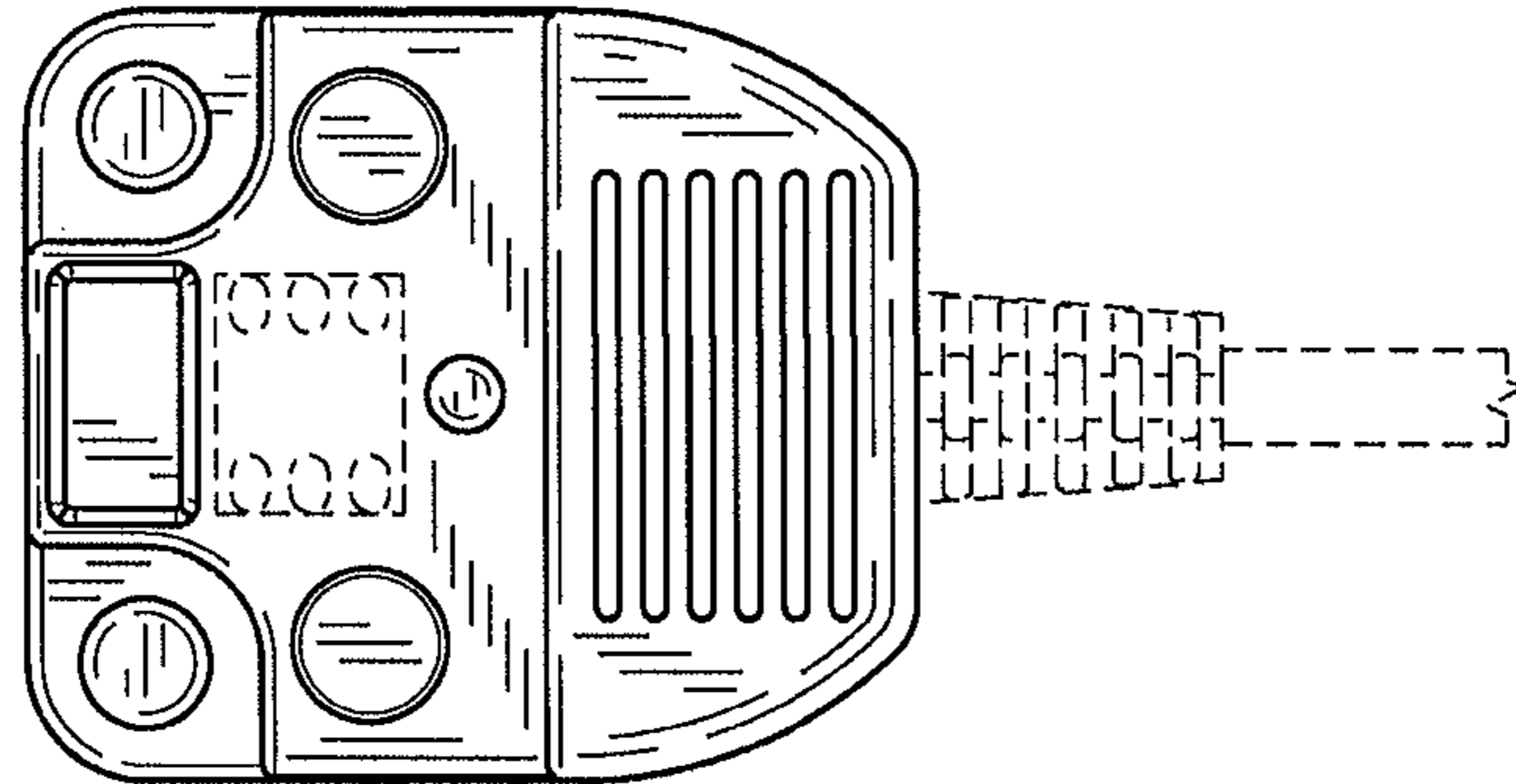


FIG. 3

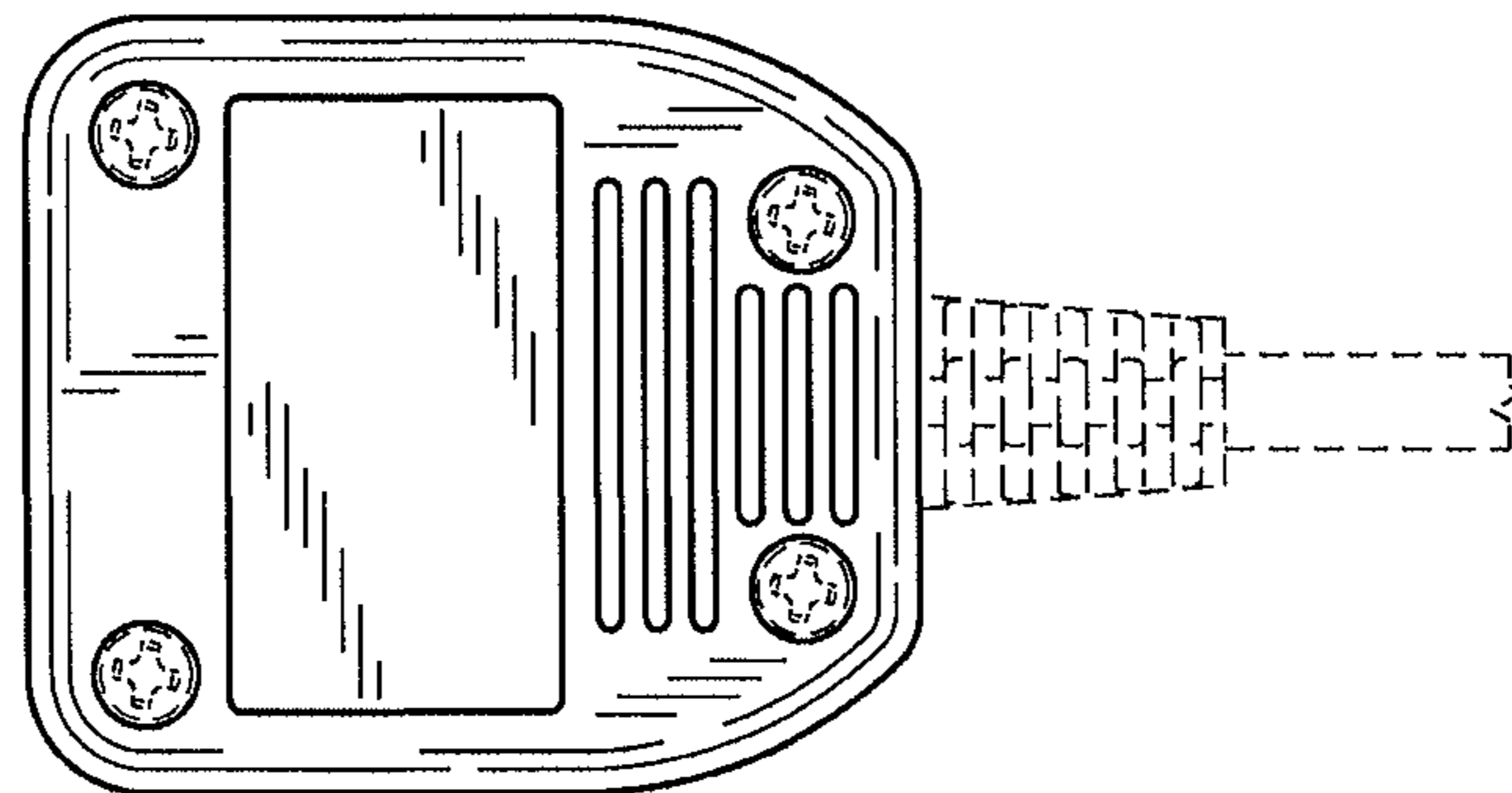


FIG. 4

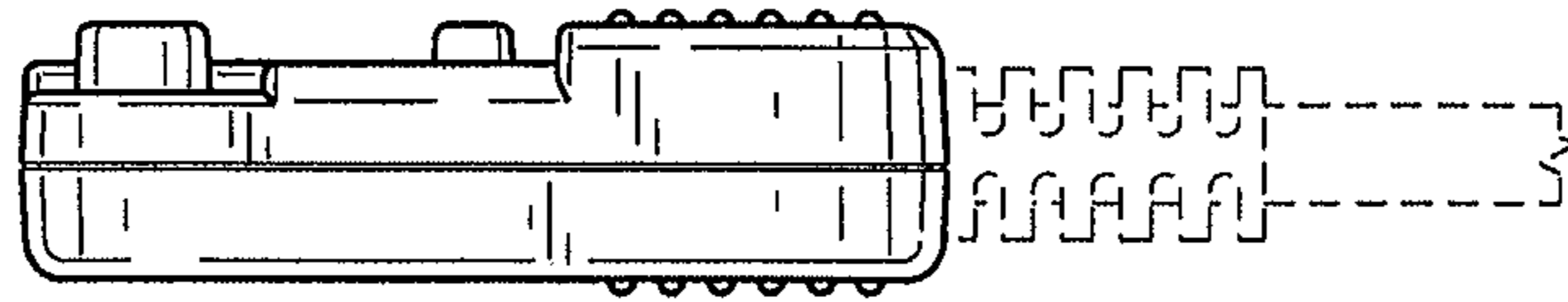


FIG. 5

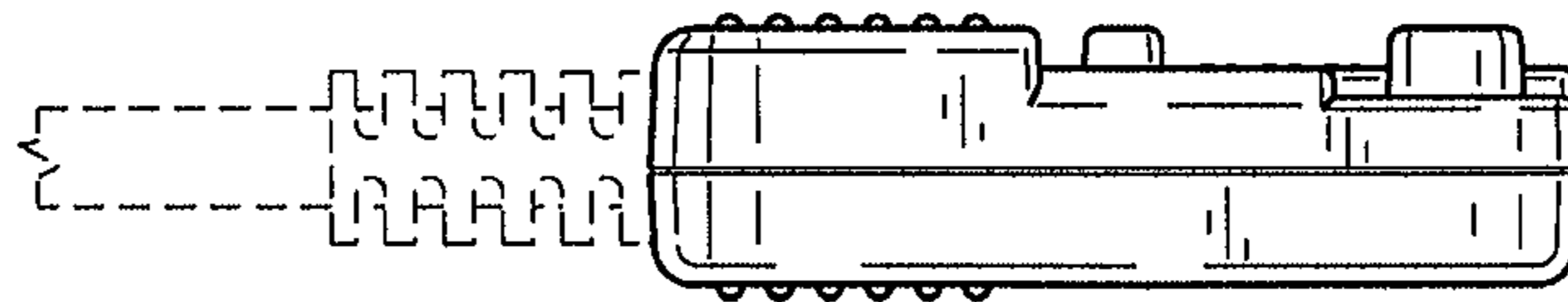


FIG. 6

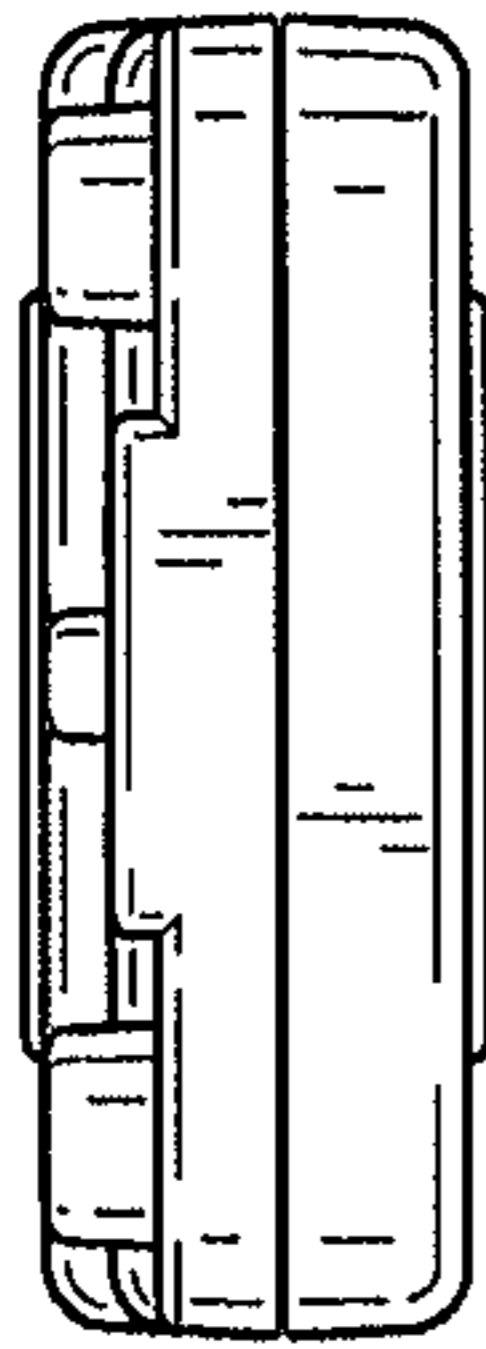


FIG. 7

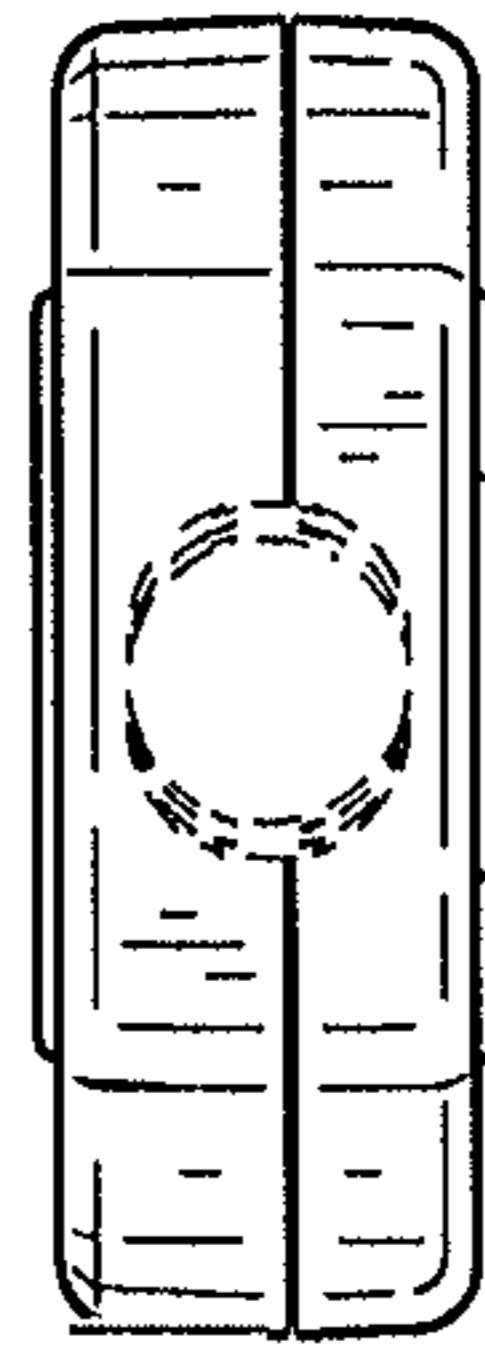


FIG. 8

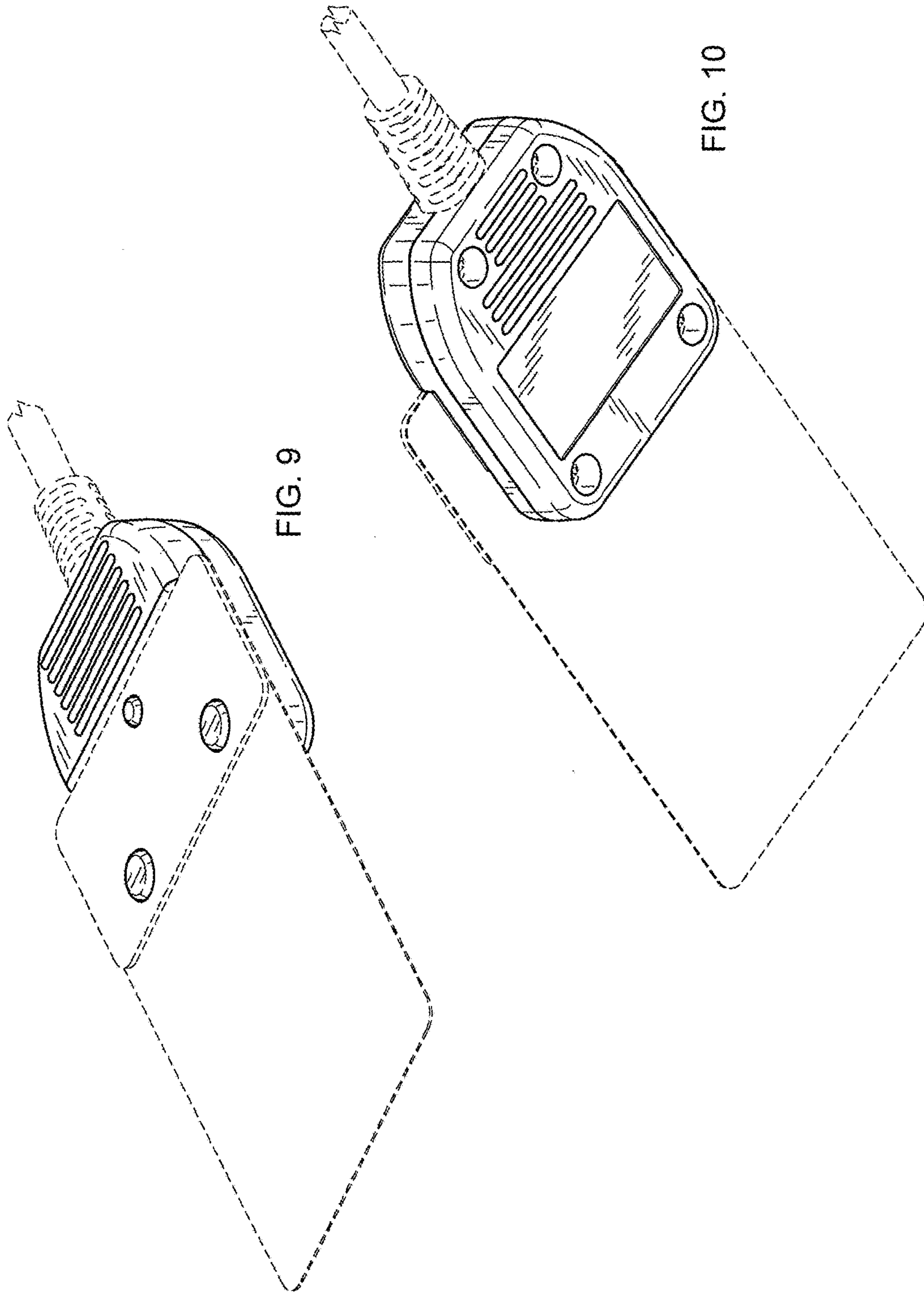


FIG. 9

FIG. 10

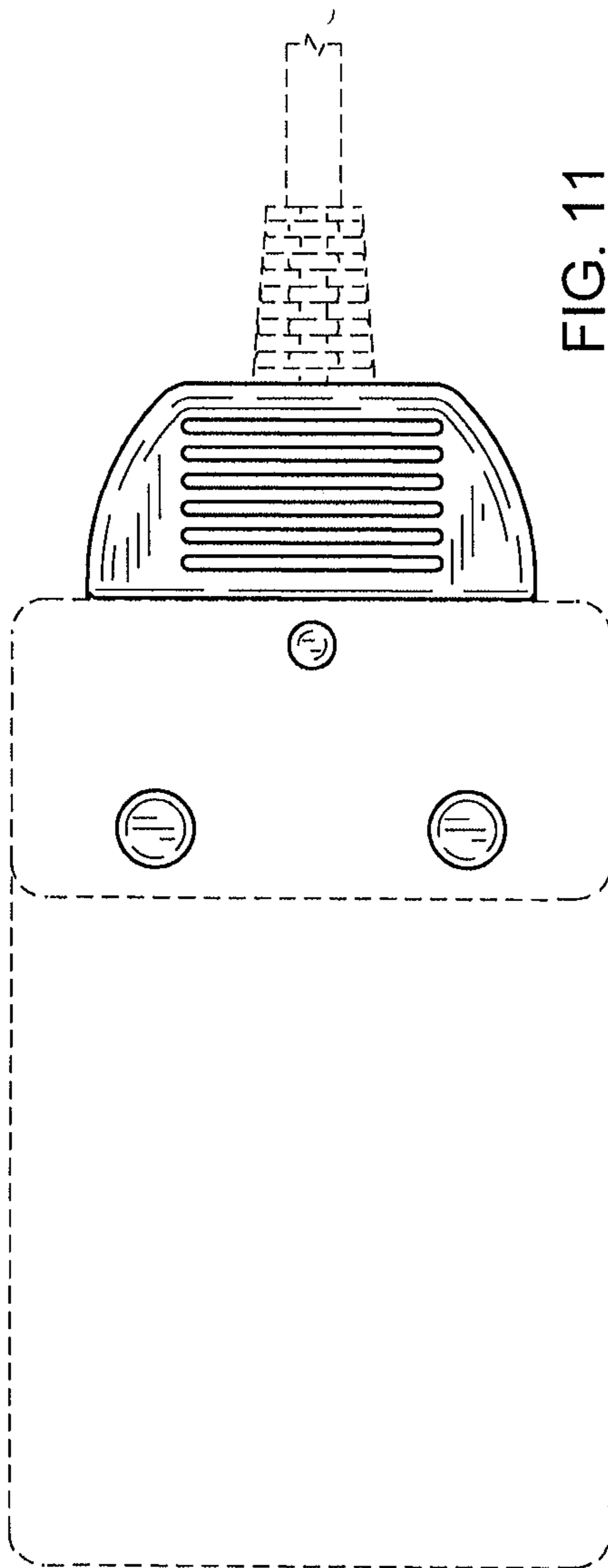


FIG. 11

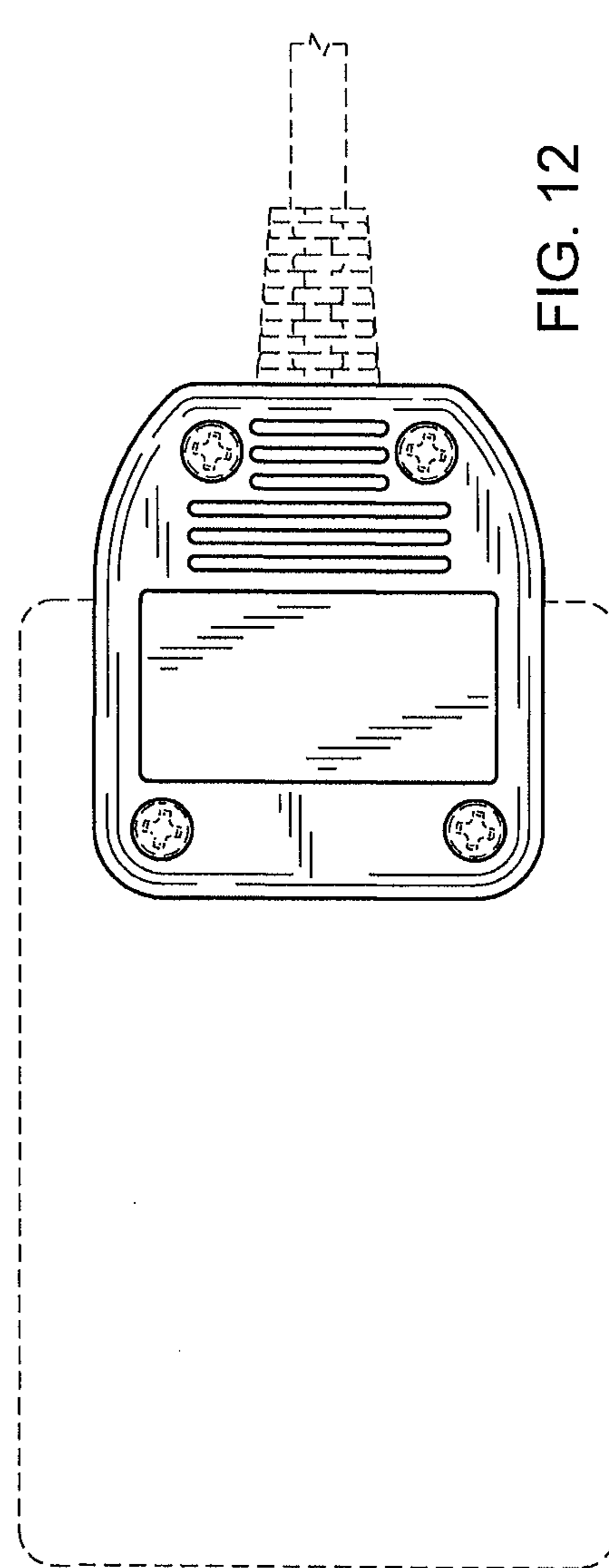


FIG. 12

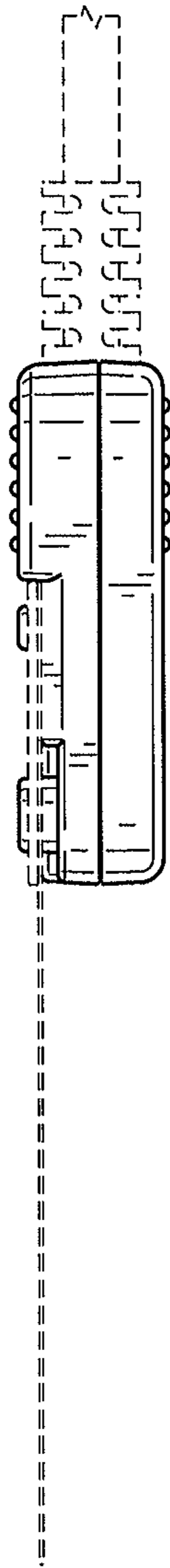


FIG. 13

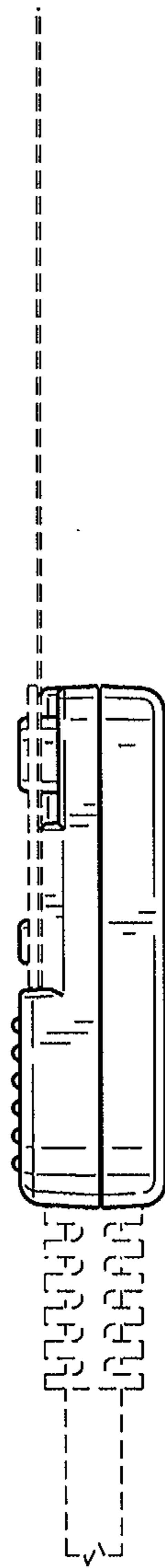


FIG. 14

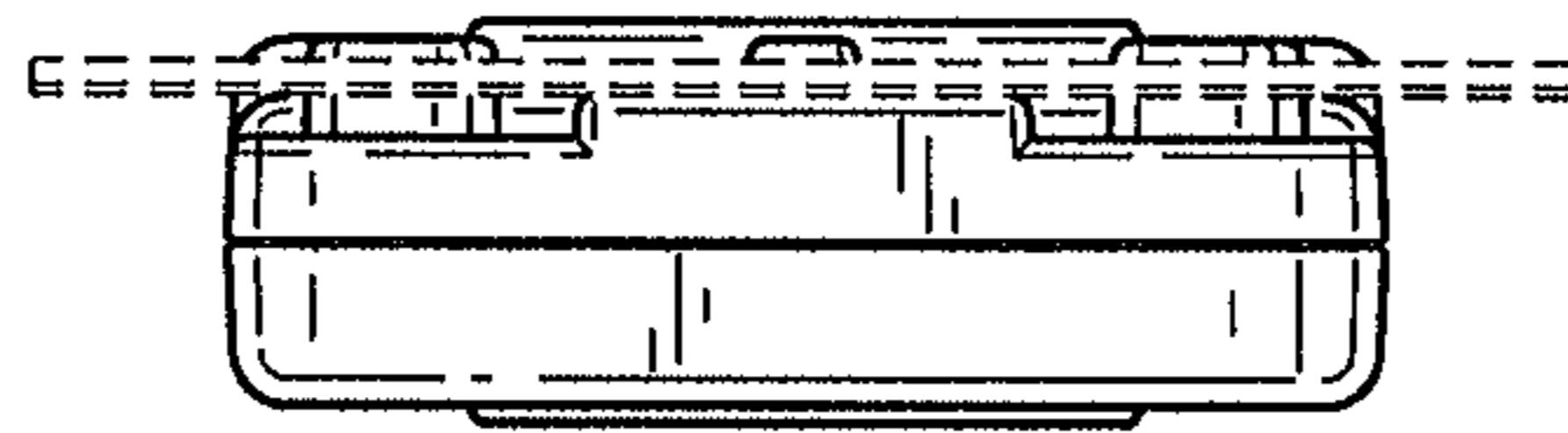


FIG. 15

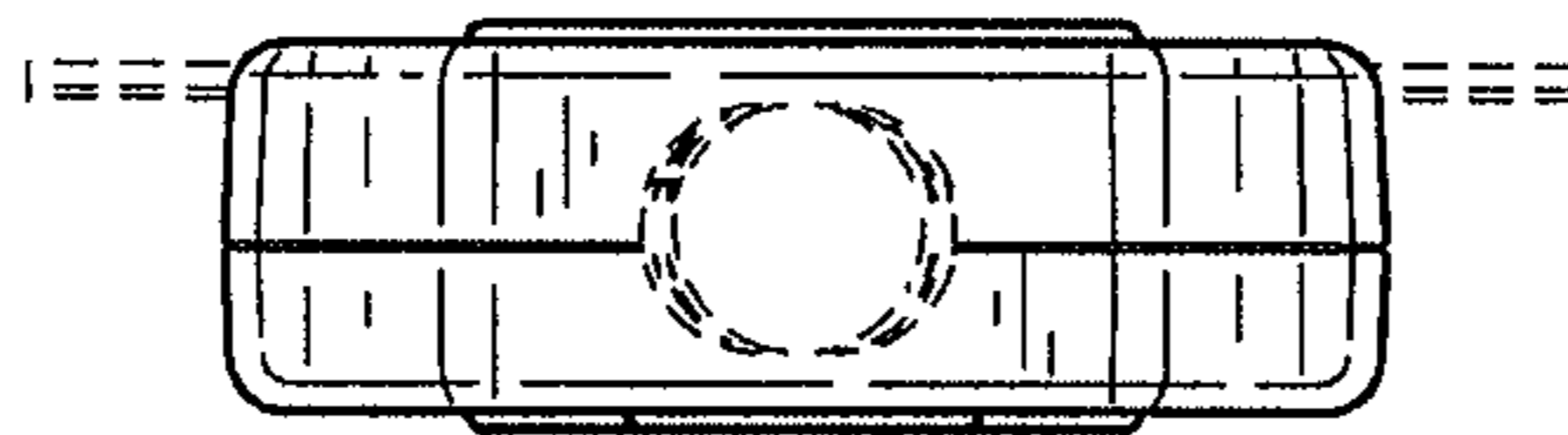


FIG. 16