



US00D843579S

(12) **United States Design Patent**  
**Roth**

(10) **Patent No.:** **US D843,579 S**  
(45) **Date of Patent:** **\*\* Mar. 19, 2019**

(54) **MEDICAL IMAGING APPARATUS**

2015/0196262 A1\* 7/2015 Grady ..... A61B 6/4441  
378/42

(71) Applicant: **Siemens Healthcare GmbH**, Erlangen (DE)

\* cited by examiner

(72) Inventor: **Nadja Roth**, Bamberg (DE)

*Primary Examiner* — Anhdao Doan

(73) Assignee: **Siemens Healthcare GmbH**, Erlangen (DE)

(74) *Attorney, Agent, or Firm* — Schiff Hardin LLP

(\*\*) Term: **15 Years**

(57) **CLAIM**

The ornamental design for a medical imaging apparatus, as shown and described.

(21) Appl. No.: **29/598,282**

**DESCRIPTION**

(22) Filed: **Mar. 24, 2017**

The patent or application file contains at least one drawing executed in color. Copies of this patent or patent application publication with color drawing(s) will be provided by the Office upon request and payment of the necessary fee.

(30) **Foreign Application Priority Data**

Sep. 28, 2016 (EM) ..... 001453740

FIG. 1 is a front elevational view of a first embodiment of a medical imaging apparatus showing our new design;

(51) **LOC (11) Cl.** ..... **24-01**

FIG. 2 is a back elevational view thereof;

(52) **U.S. Cl.**

USPC ..... **D24/158**

FIG. 3 is a top plan view thereof;

(58) **Field of Classification Search**

USPC ..... D24/158-161, 185, 186, 107; D15/199

FIG. 4 is a bottom plan view thereof;

CPC .. A61B 5/05; A61B 5/055; A61B 6/03; A61B

FIG. 5 is a side elevational view of the right side thereof;

6/035; A61B 6/4405; A61B 6/4411; A61B

FIG. 6 is a side elevational view of the left side thereof; and

6/4435; A61B 6/4441; A61B 6/4447

FIG. 7 is a perspective view taken generally from the top, front, left-hand side thereof.

See application file for complete search history.

FIG. 8 is a front elevational view of a second embodiment thereof;

(56) **References Cited**

FIG. 9 is a back elevational view thereof;

**U.S. PATENT DOCUMENTS**

D449,057 S \* 10/2001 Selic ..... D15/199

FIG. 10 is a top plan view thereof;

D600,348 S \* 9/2009 Dorre ..... D24/158

FIG. 11 is a bottom plan view thereof;

D707,277 S \* 6/2014 Olsson ..... D15/199

FIG. 12 is a side elevational view of the right side thereof;

D748,795 S \* 2/2016 Dorre ..... D24/158

FIG. 13 is a side elevational view of the left side thereof; and,

D796,043 S \* 8/2017 Boehner ..... D24/158

FIG. 14 is a perspective view taken generally from the top, front, left-hand side thereof.

2008/0013692 A1\* 1/2008 Maschke ..... A61B 6/102  
378/198

The broken lines are included for the purpose of illustrating portions of the medical imaging apparatus that form no part of the claimed design.

2008/0123818 A1\* 5/2008 Alder ..... A61B 6/4405  
378/198

2008/0123819 A1\* 5/2008 Jensen ..... A61B 6/4405  
378/198

**1 Claim, 14 Drawing Sheets**  
**(7 of 14 Drawing Sheet(s) Filed in Color)**

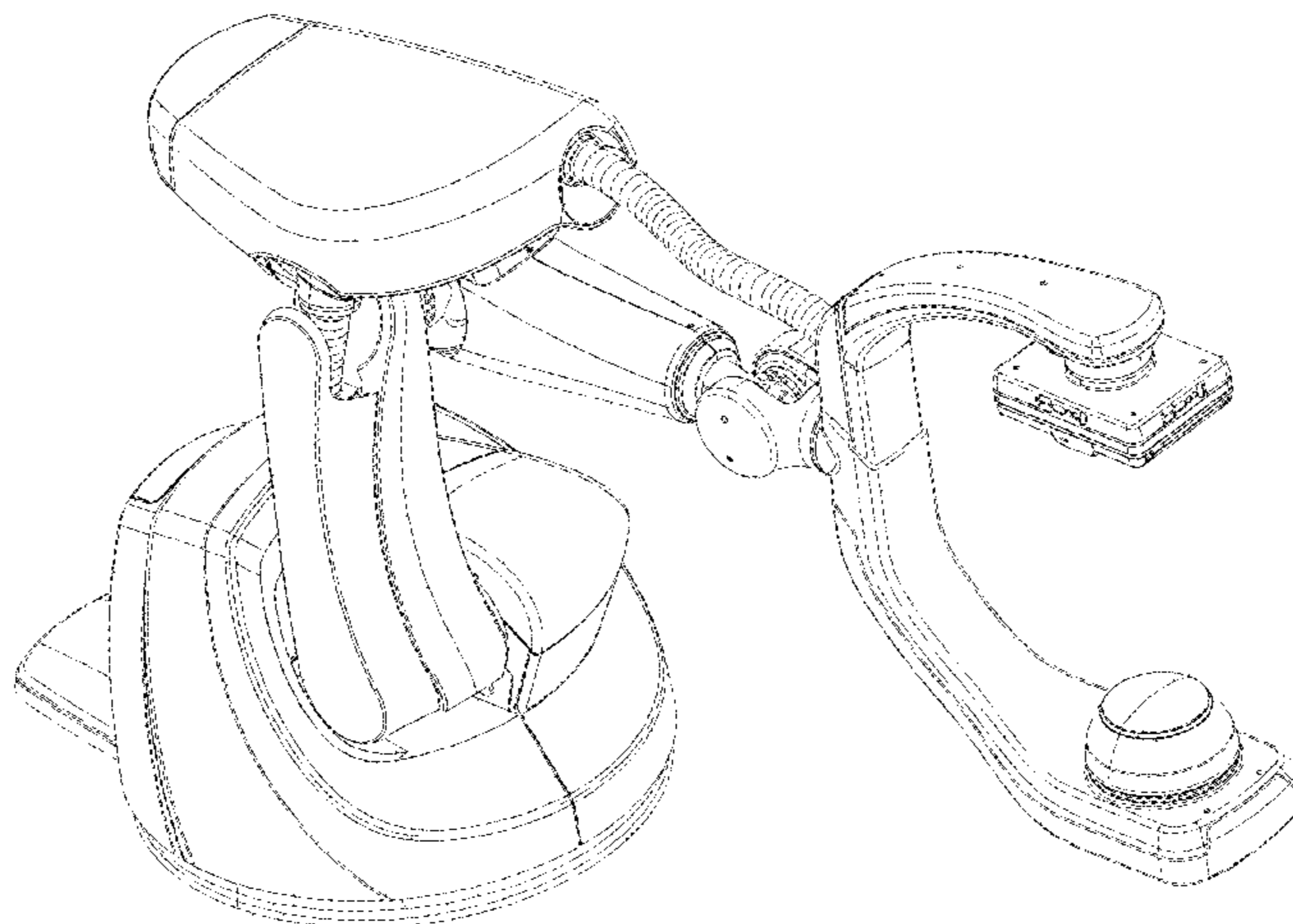


FIG. 1

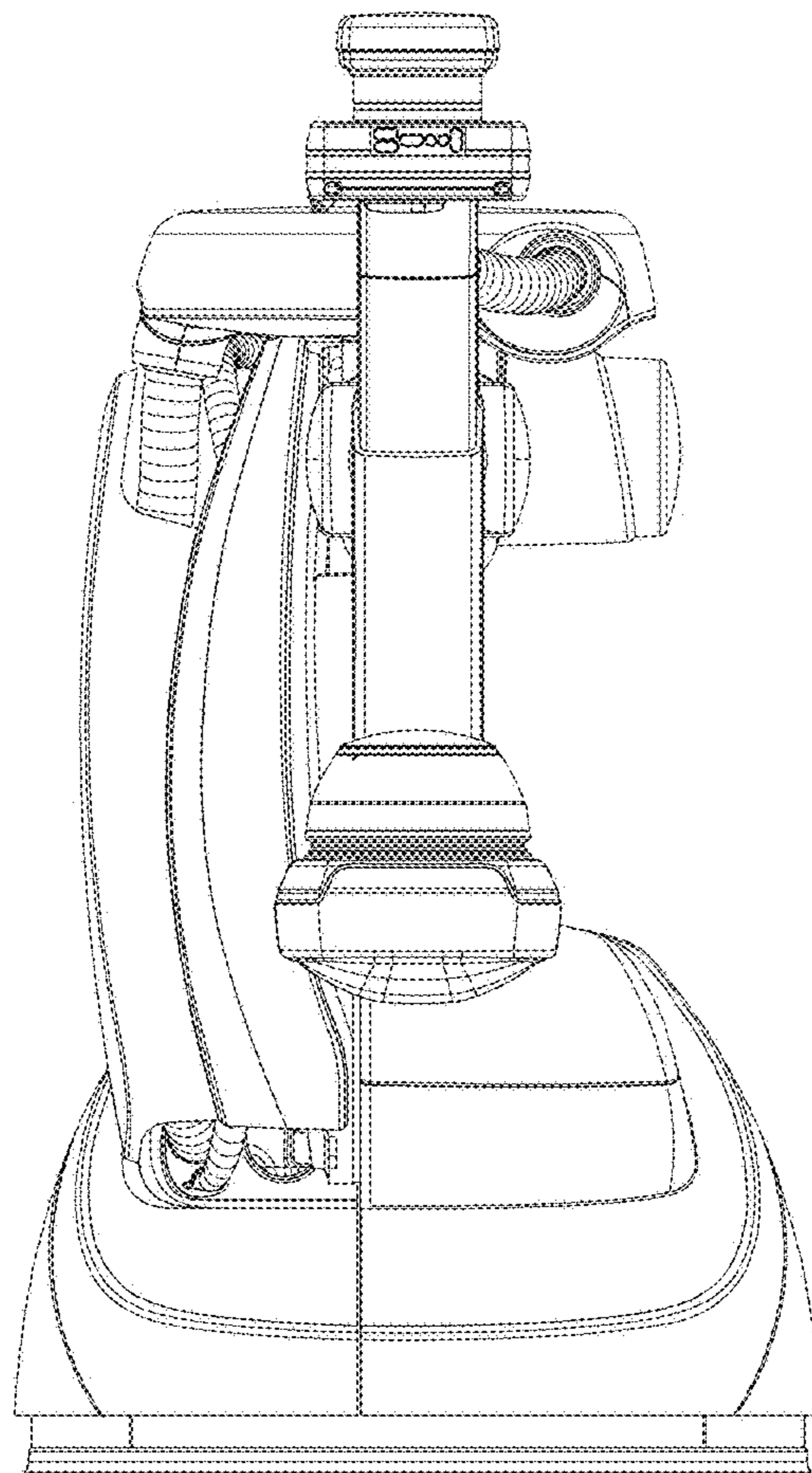


FIG. 2

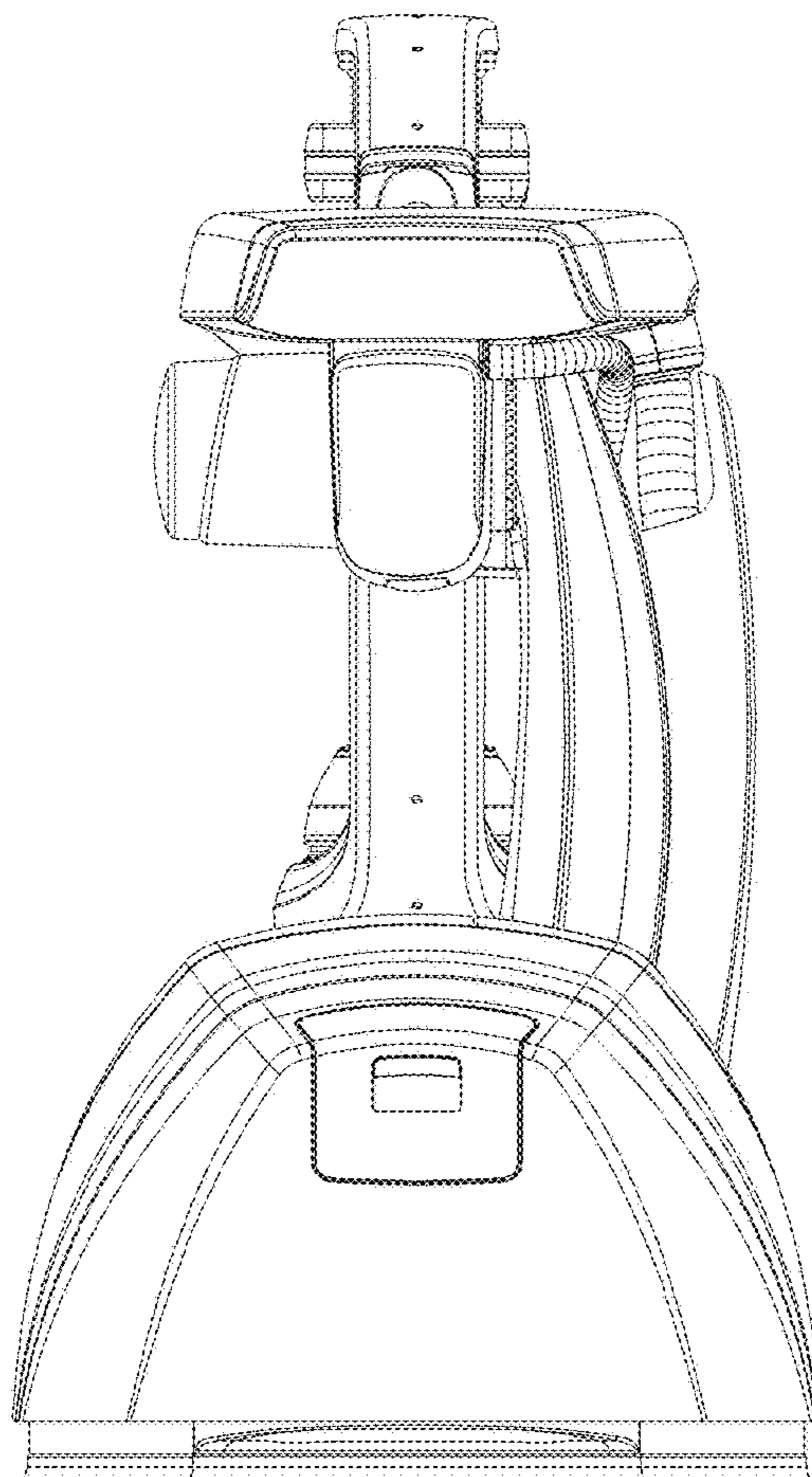


FIG. 3

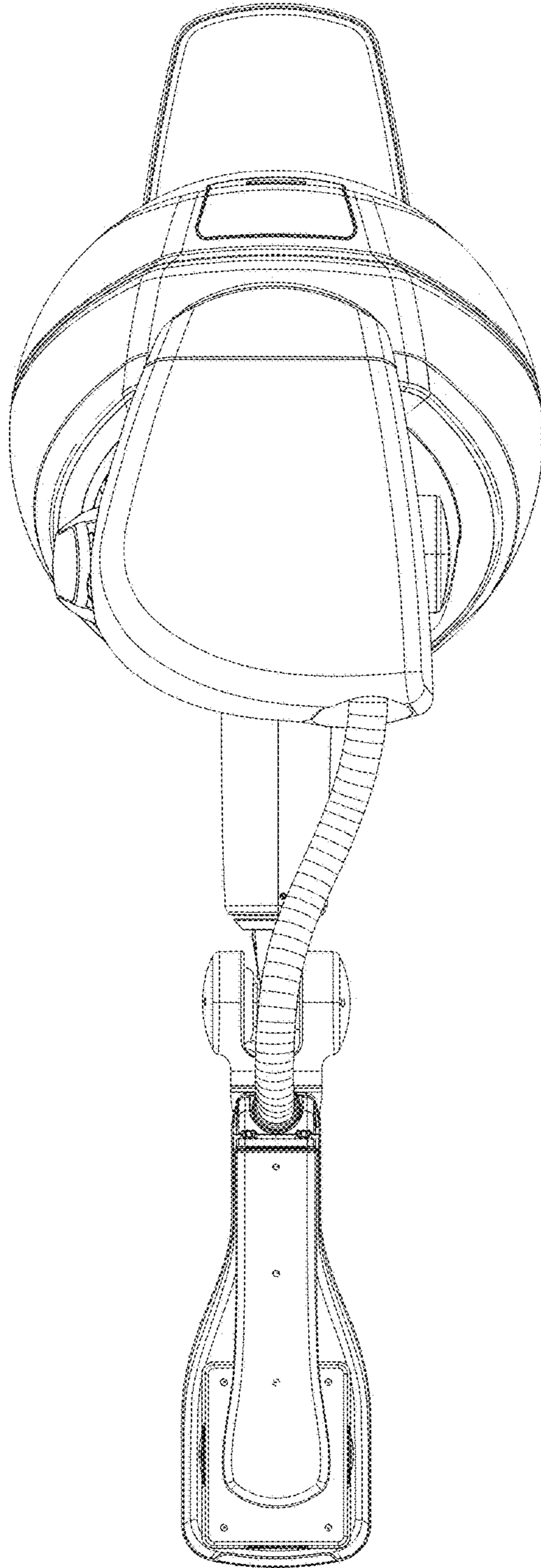


FIG. 4

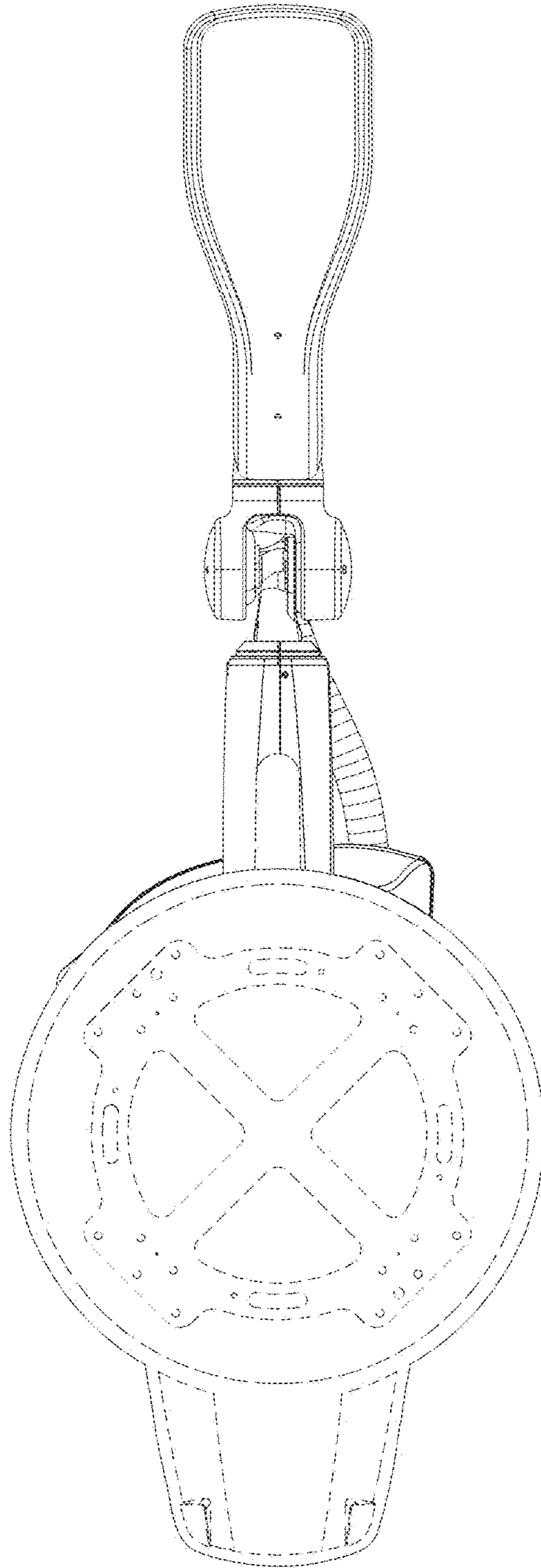


FIG. 5

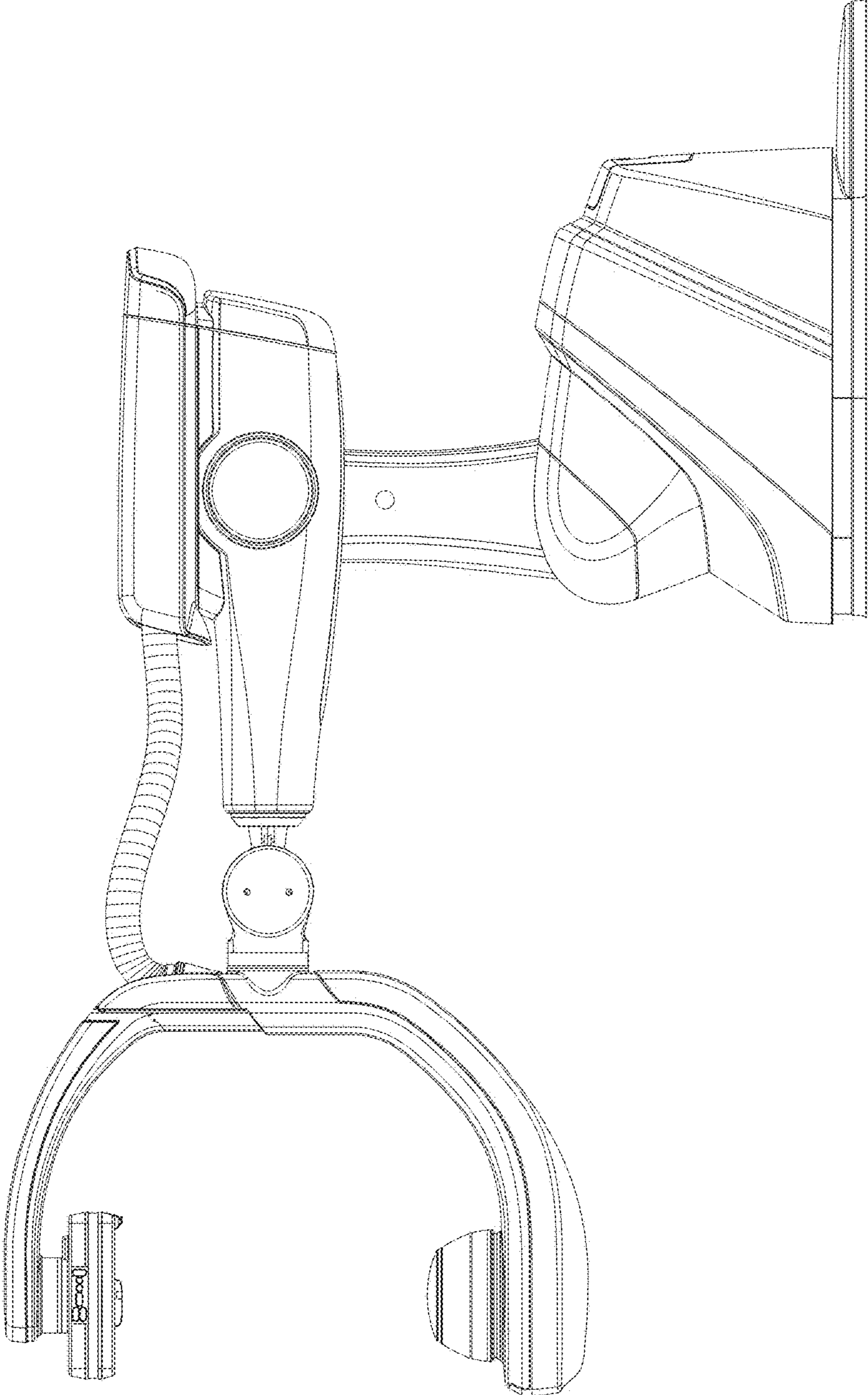


FIG. 6

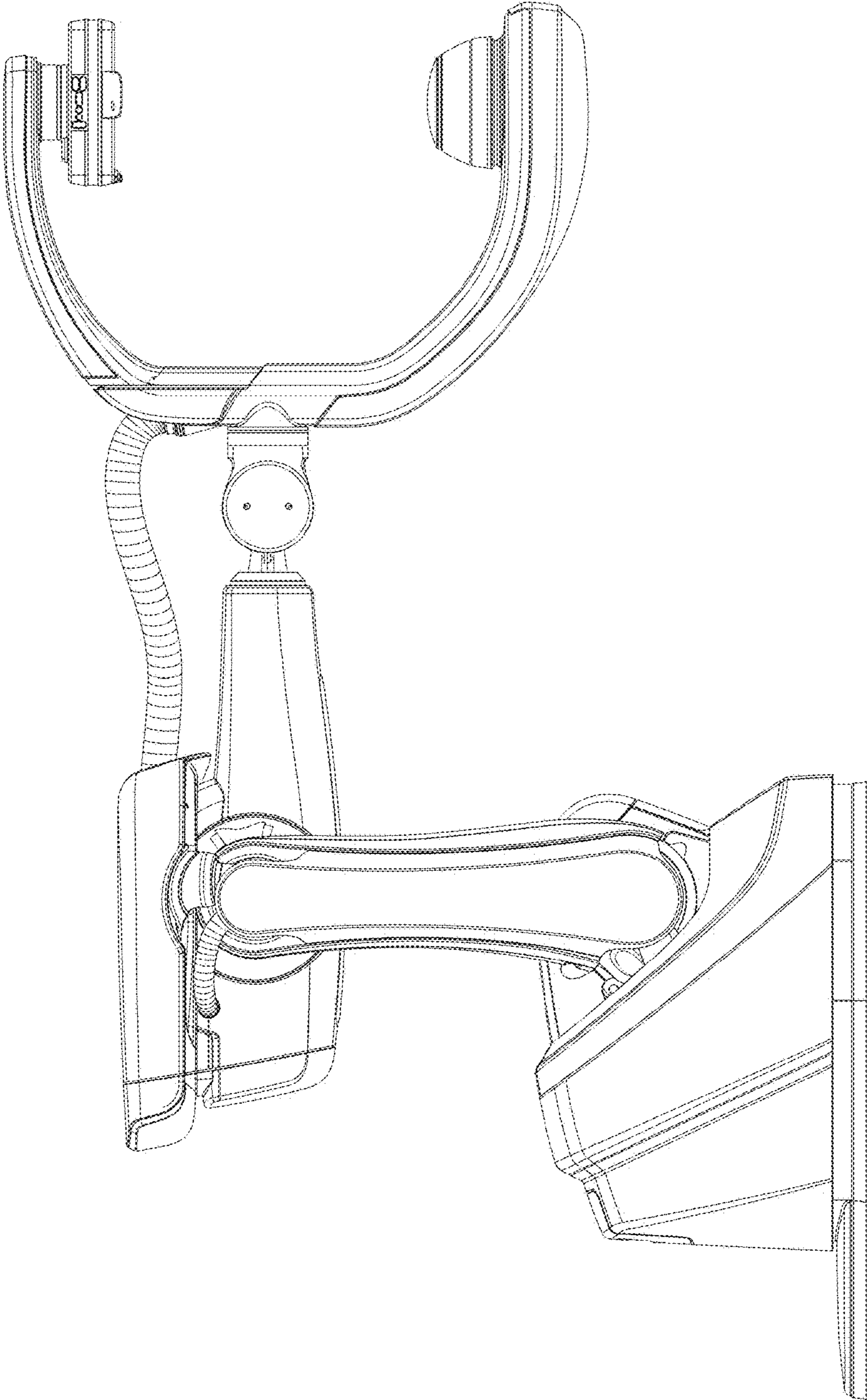


FIG. 7

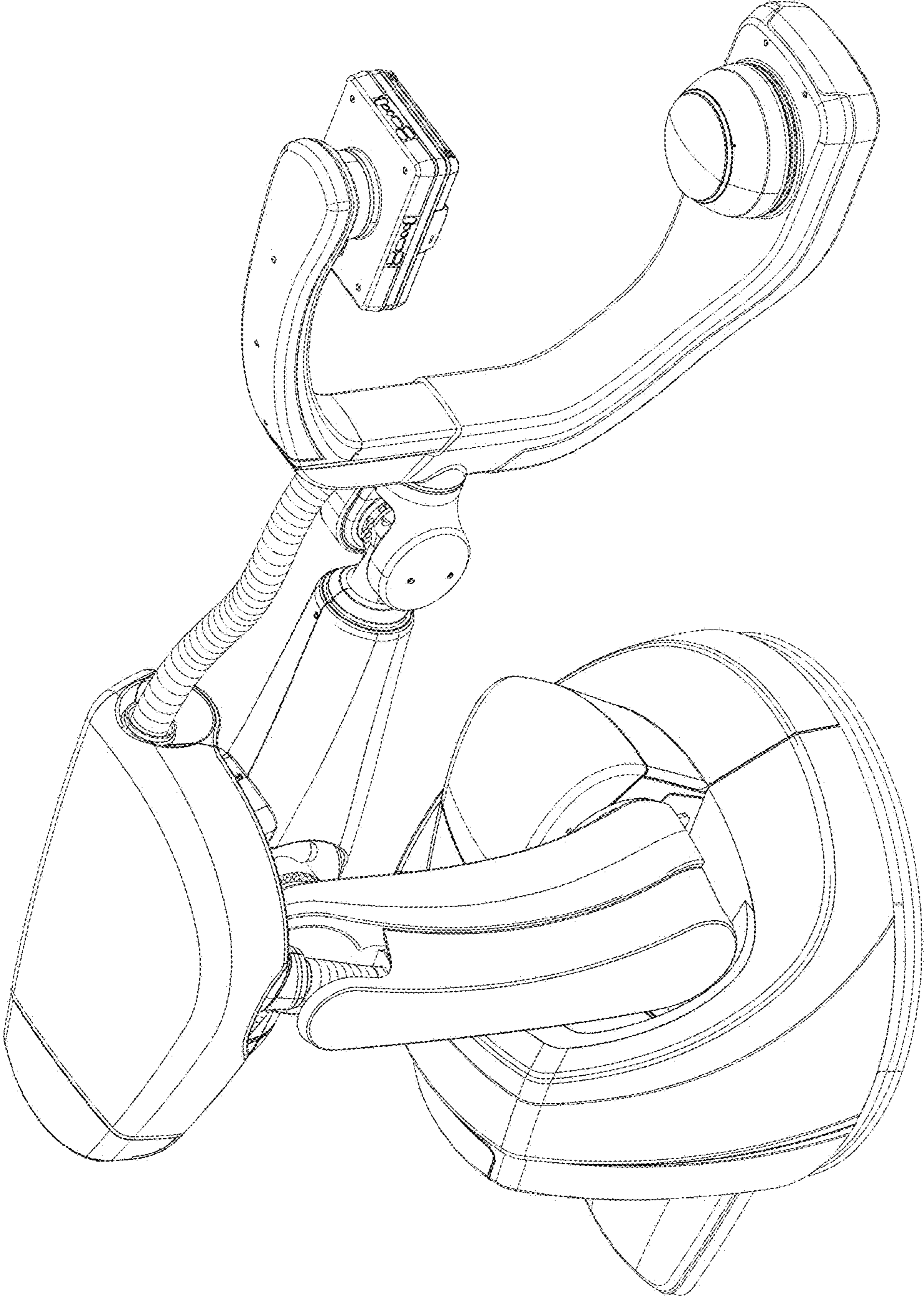




FIG. 8

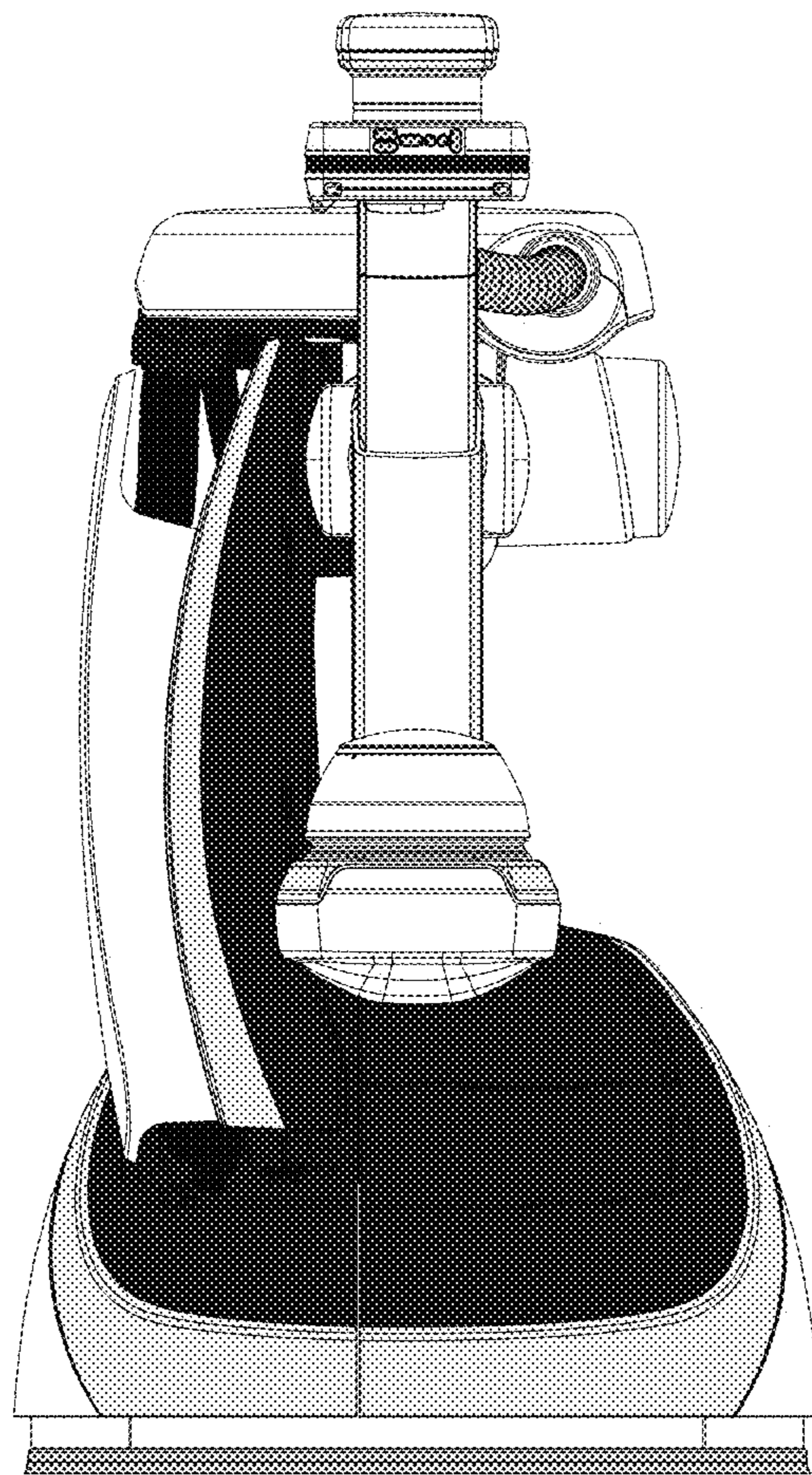


FIG. 9

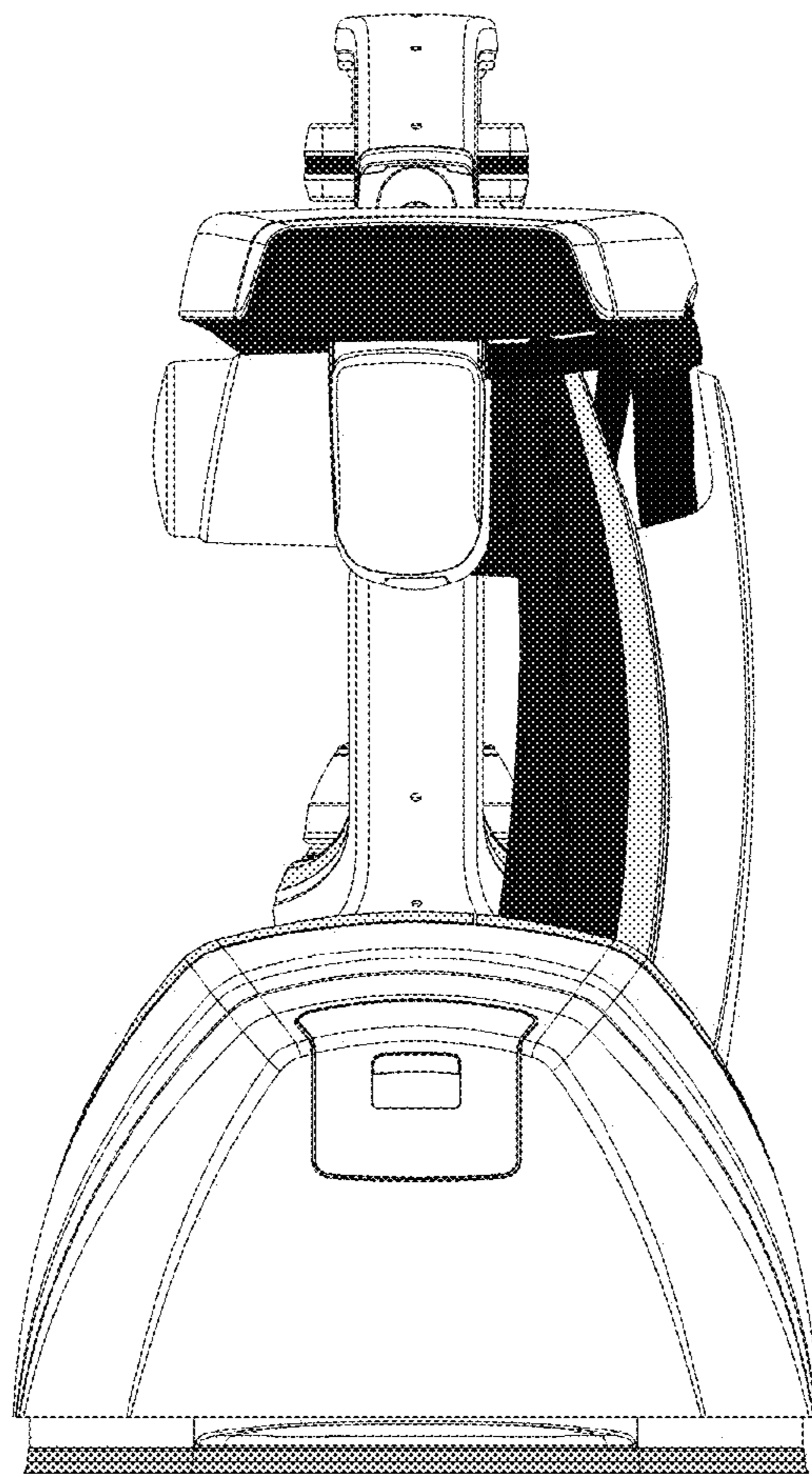


FIG. 10

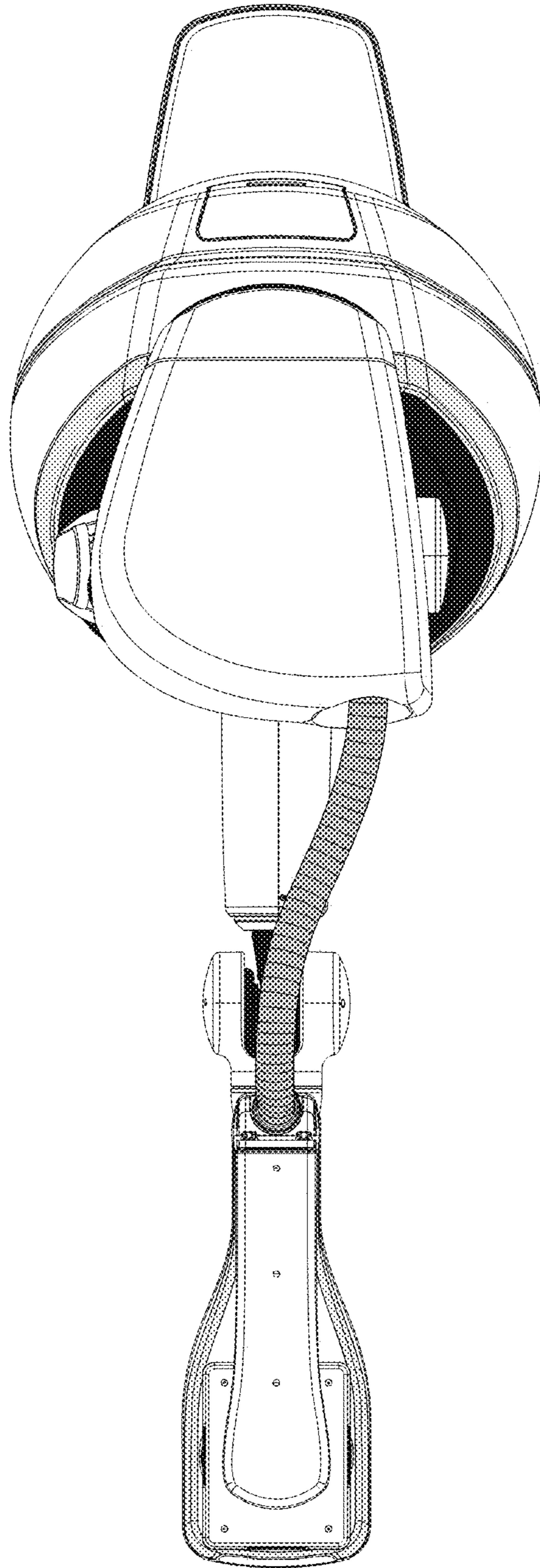


FIG. 11

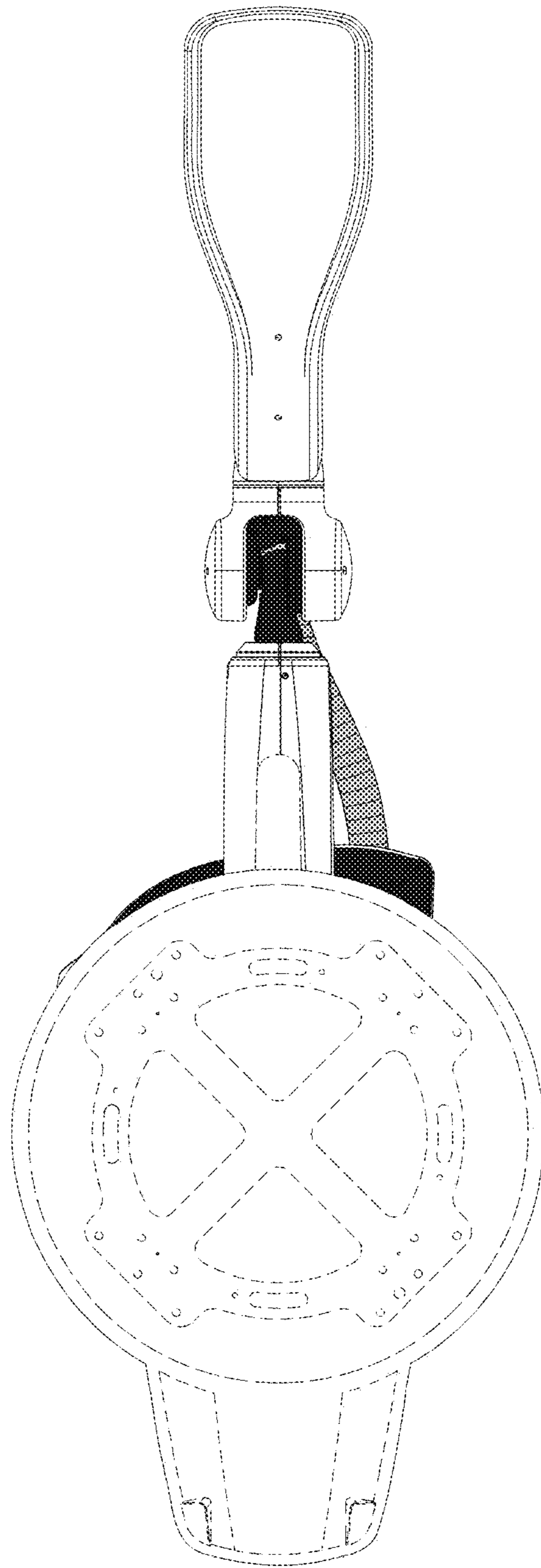


FIG. 12

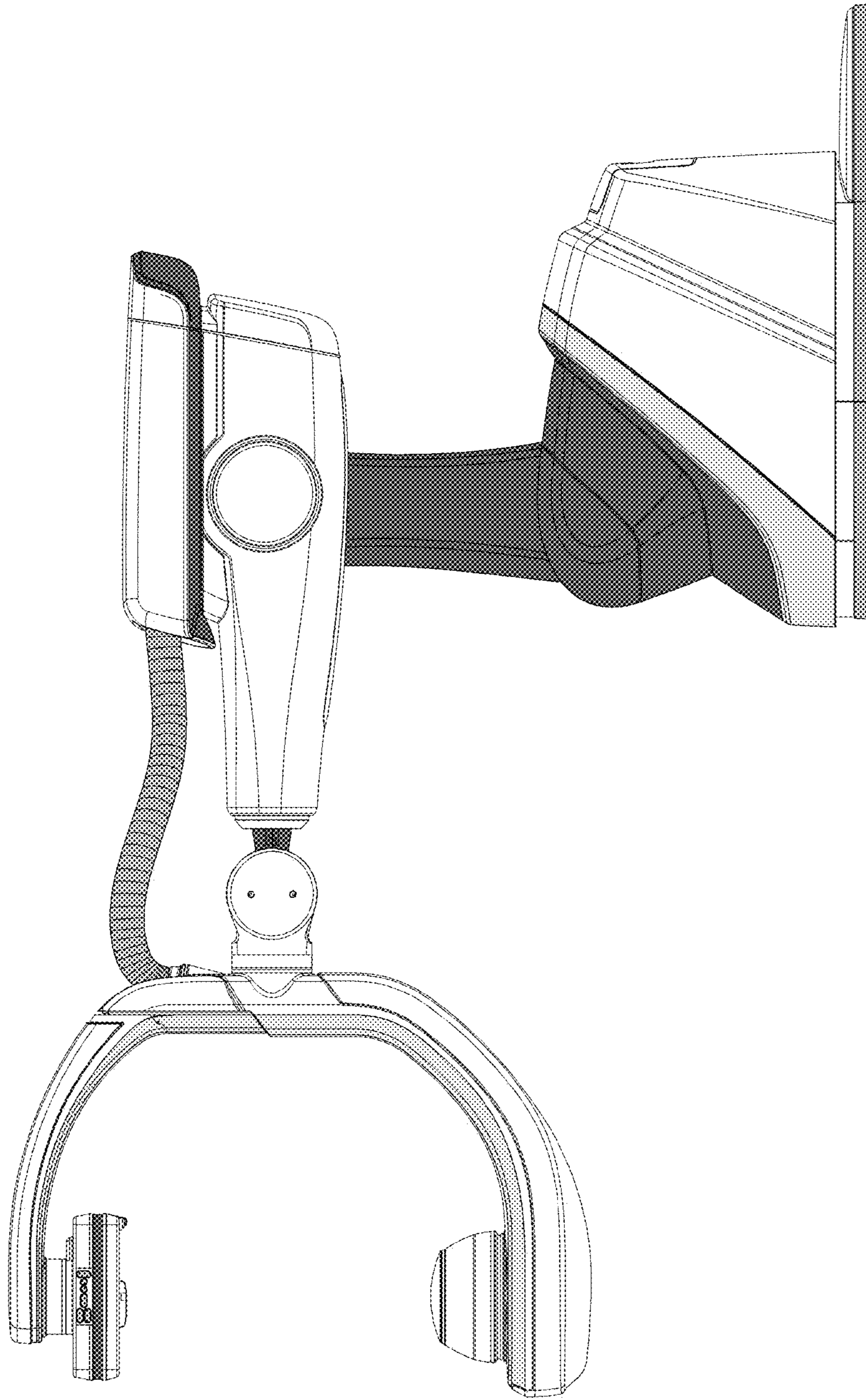


FIG. 13

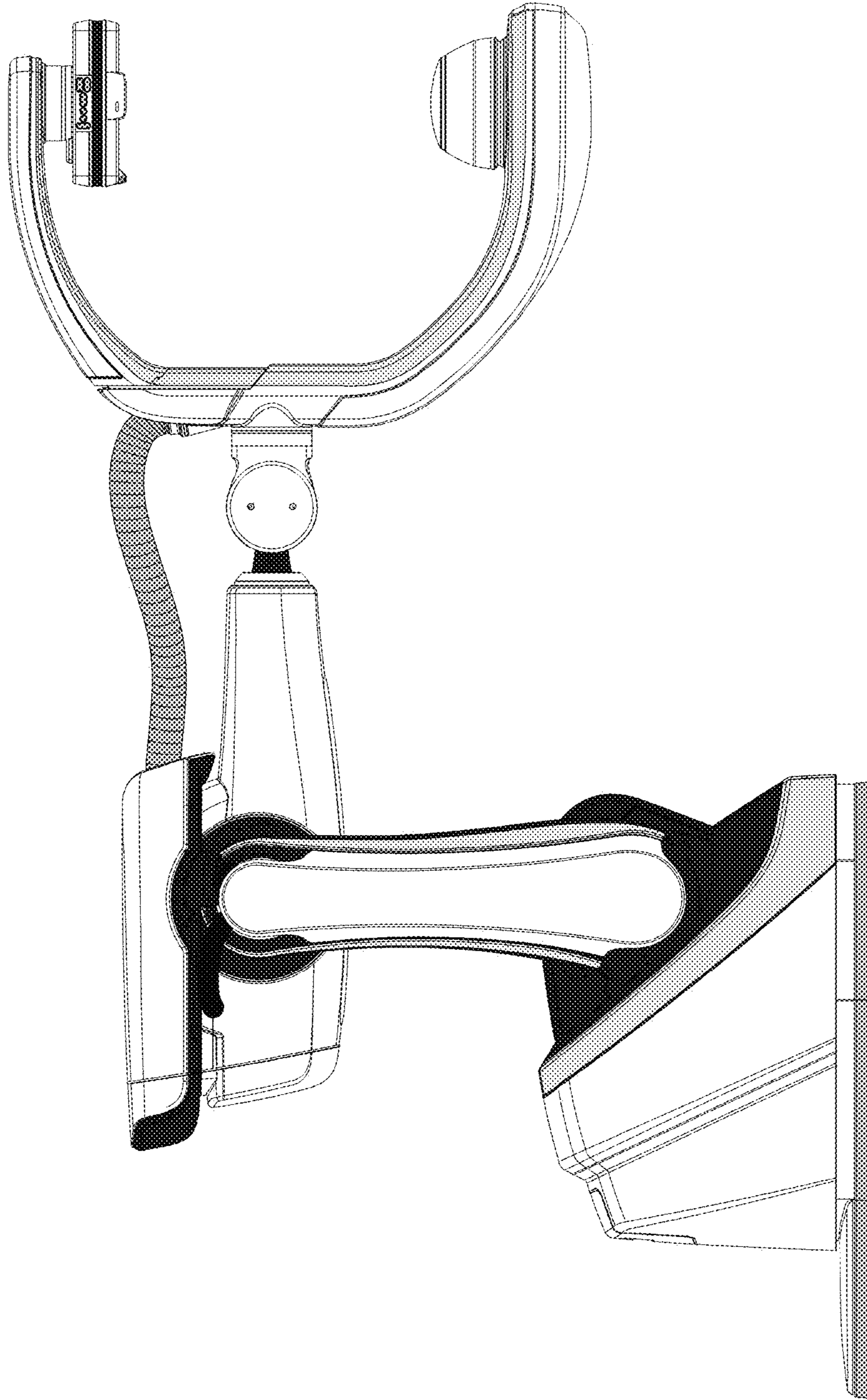


FIG. 14

