



US00D843578S

(12) **United States Design Patent** (10) **Patent No.:** **US D843,578 S**  
**Avranches et al.** (45) **Date of Patent:** **\*\* Mar. 19, 2019**

(54) **ELECTROMEDICAL DEVICE**

D758,587 S \* 6/2016 Eberler ..... D24/158  
D785,180 S \* 4/2017 Avranches ..... D24/158  
D785,182 S \* 4/2017 Grosshauser ..... D24/158  
D787,677 S \* 5/2017 Grosshauser ..... D24/158

(71) Applicant: **Siemens Healthcare GmbH**, Erlangen (DE)

\* cited by examiner

(72) Inventors: **Alexandre Avranches**, Munich (DE); **Bruno Doerrfuss**, Neunkirchen (DE); **Florian Hilbig**, Munich (DE); **Andrea Hofmann**, Forchheim (DE); **Daniel Lerch**, Weilersbach (DE); **Carsten Thierfelder**, Pinzberg (DE); **Andreas Wiesinger**, Baiersdorf (DE)

*Primary Examiner* — Anhdao Doan  
(74) *Attorney, Agent, or Firm* — Schiff Hardin LLP

(73) Assignee: **Siemens Healthcare GmbH**, Erlangen (DE)

(57) **CLAIM**

The ornamental design for an electromedical device, as shown and described.

(\*\*) Term: **15 Years**

**DESCRIPTION**

(21) Appl. No.: **29/595,202**

FIG. 1 is a front elevational view of a first embodiment of an electromedical device showing our new design; FIG. 2 is a back elevational view thereof; FIG. 3 is a top plan view thereof; FIG. 4 is a bottom plan view thereof; FIG. 5 is a side elevational view of the right side thereof; FIG. 6 is a side elevational view of the left side thereof; FIG. 7 is a perspective view taken generally from the top, front, right-hand side thereof; and FIG. 8 is a perspective view taken generally from the top, back, left-hand side thereof. FIG. 9 is a front elevational view of a second embodiment thereof; FIG. 10 is a back elevational view thereof; FIG. 11 is a top plan view thereof; FIG. 12 is a bottom plan view thereof; FIG. 13 is a side elevational view of the right side thereof; FIG. 14 is a side elevational view of the left side thereof; FIG. 15 is a perspective view taken generally from the top, front, right-hand side thereof; and, FIG. 16 is a perspective view taken generally from the top, back, left-hand side thereof. The broken lines are included for the purpose of illustrating portions of the electromedical device that form no part of the claimed design.

(22) Filed: **Feb. 27, 2017**

(30) **Foreign Application Priority Data**

Aug. 30, 2016 (EM) ..... 001452130

(51) **LOC (11) Cl.** ..... **24-01**

(52) **U.S. Cl.**  
USPC ..... **D24/158**

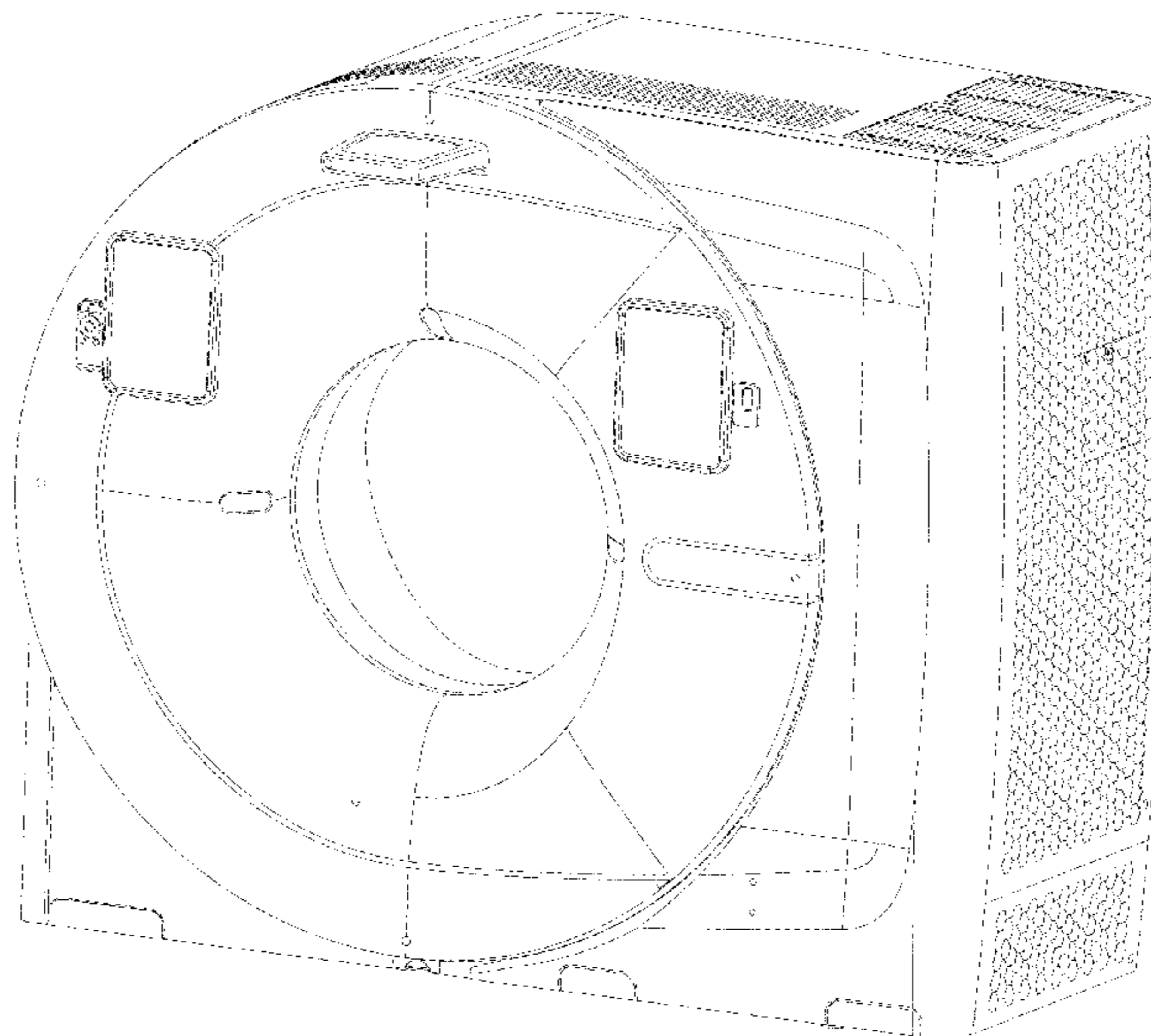
(58) **Field of Classification Search**  
USPC ..... D24/158–161, 185, 186, 107  
CPC .. A61B 5/05; A61B 5/055; A61B 6/03; A61B 6/035  
See application file for complete search history.

(56) **References Cited**

**U.S. PATENT DOCUMENTS**

D683,023 S \* 5/2013 Andersson ..... D24/158  
D715,945 S \* 10/2014 Zhang ..... D24/159  
D726,918 S \* 4/2015 Gnielka ..... D24/158  
D738,505 S \* 9/2015 Eberler ..... D24/158

**1 Claim, 16 Drawing Sheets**



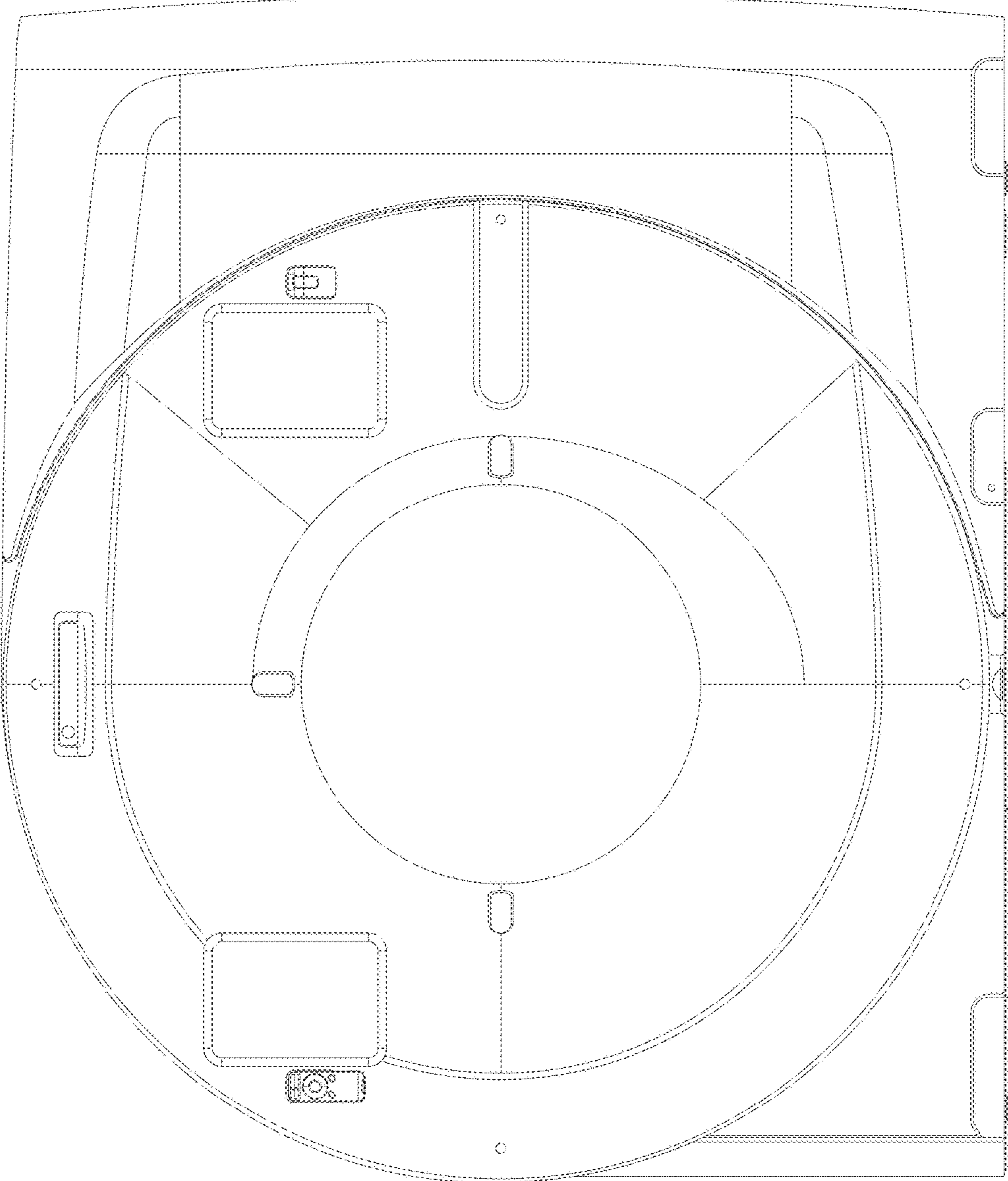


FIG. 1

FIG. 2

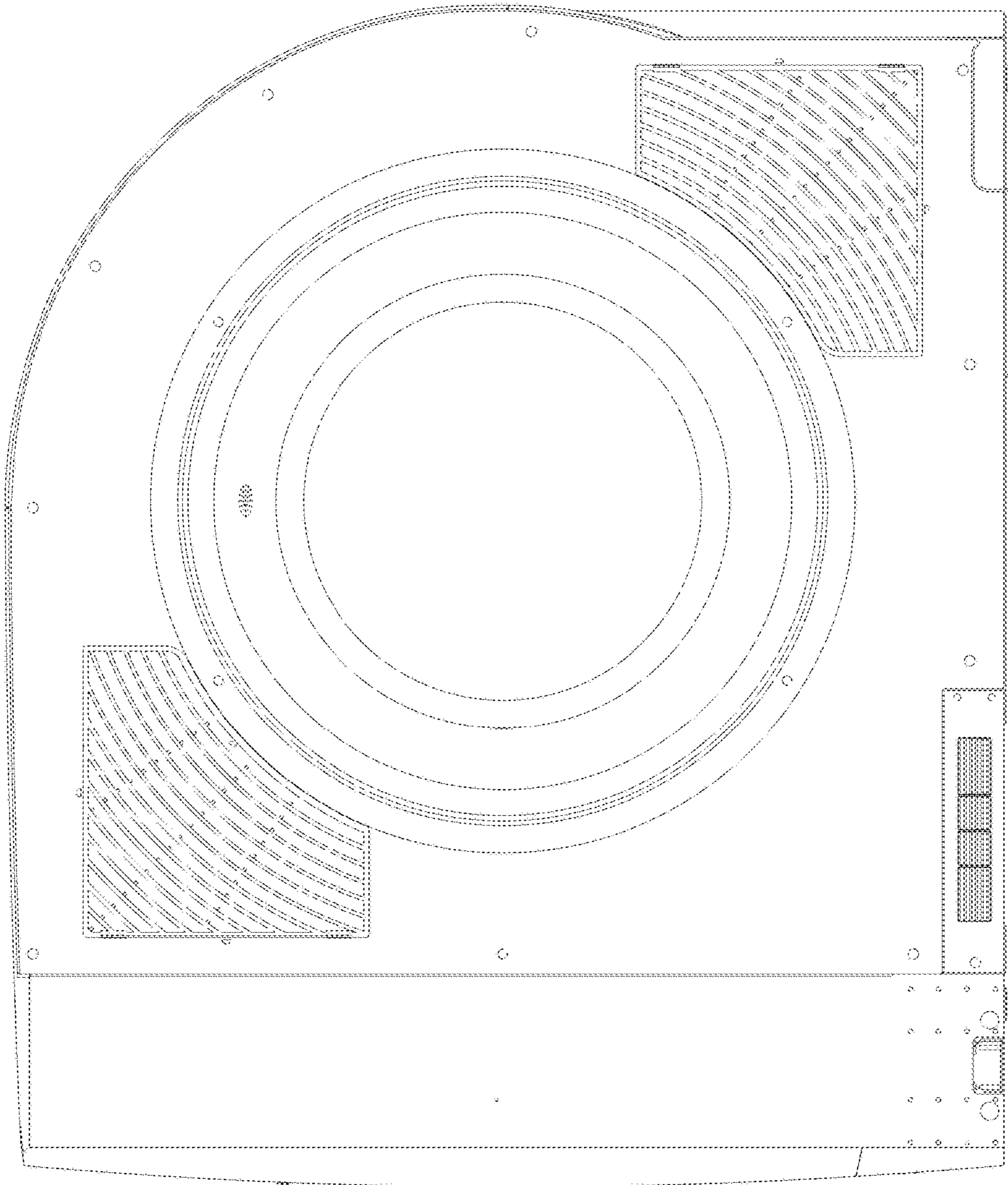




FIG. 3

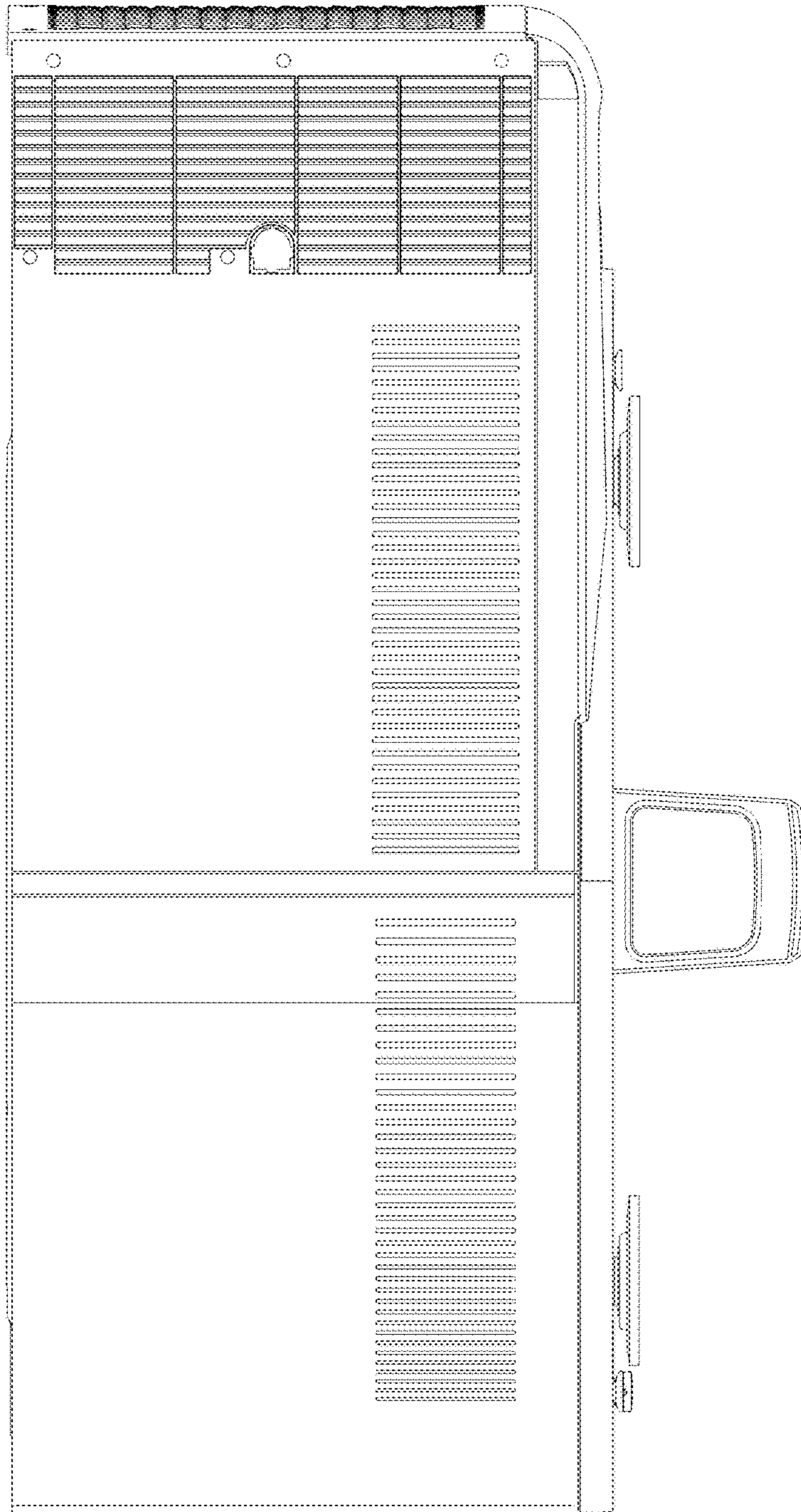
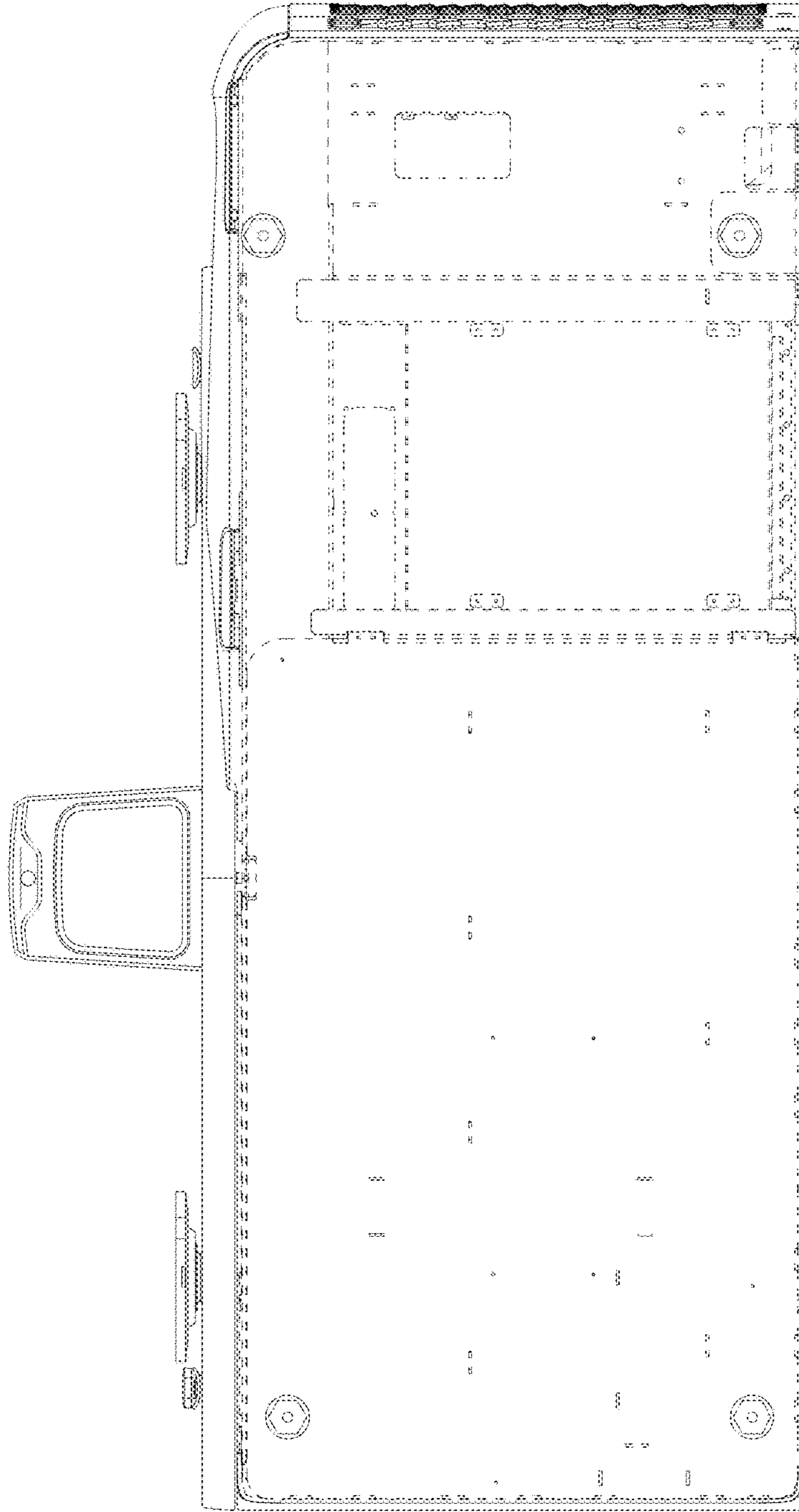


FIG. 4



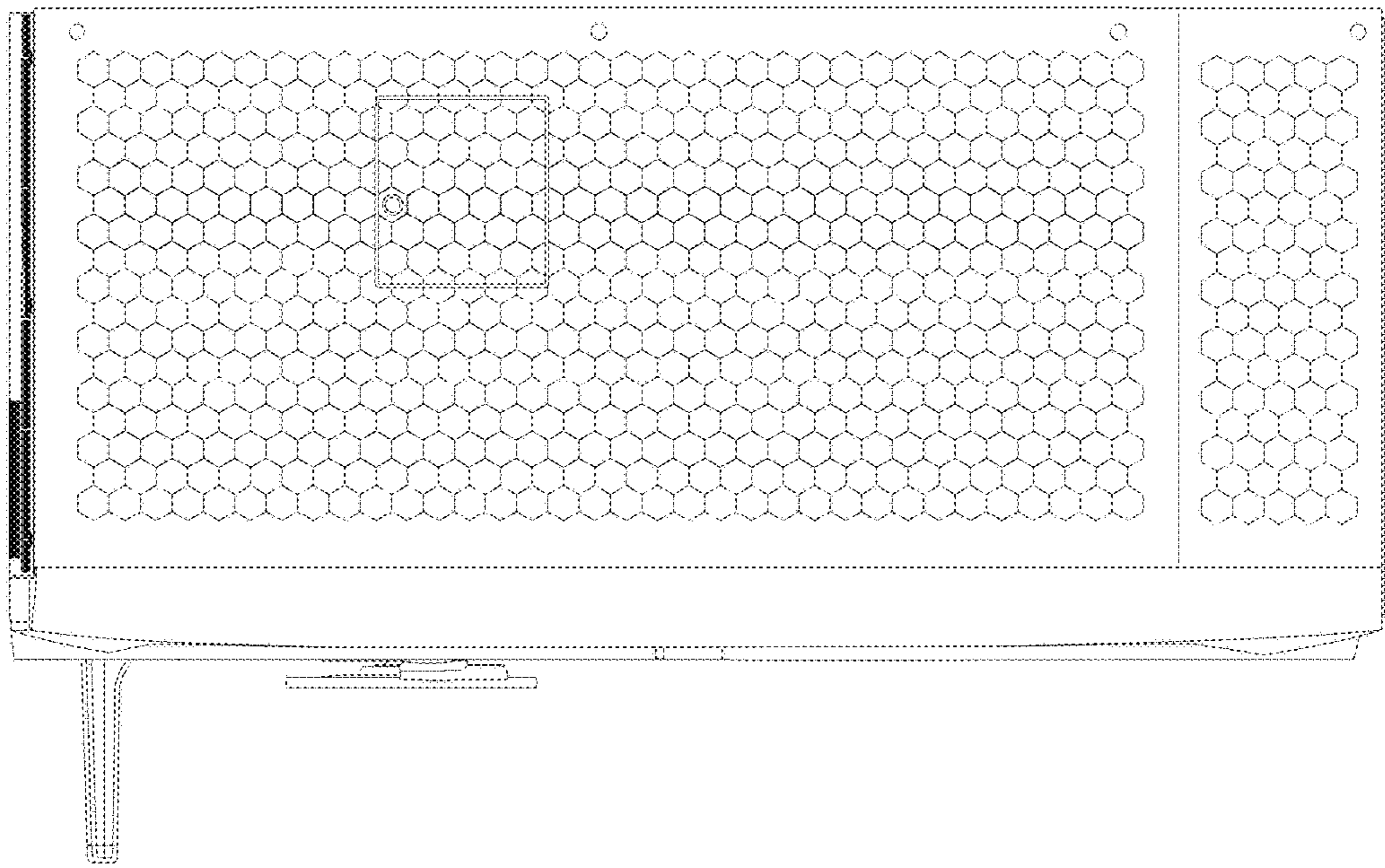


FIG. 5

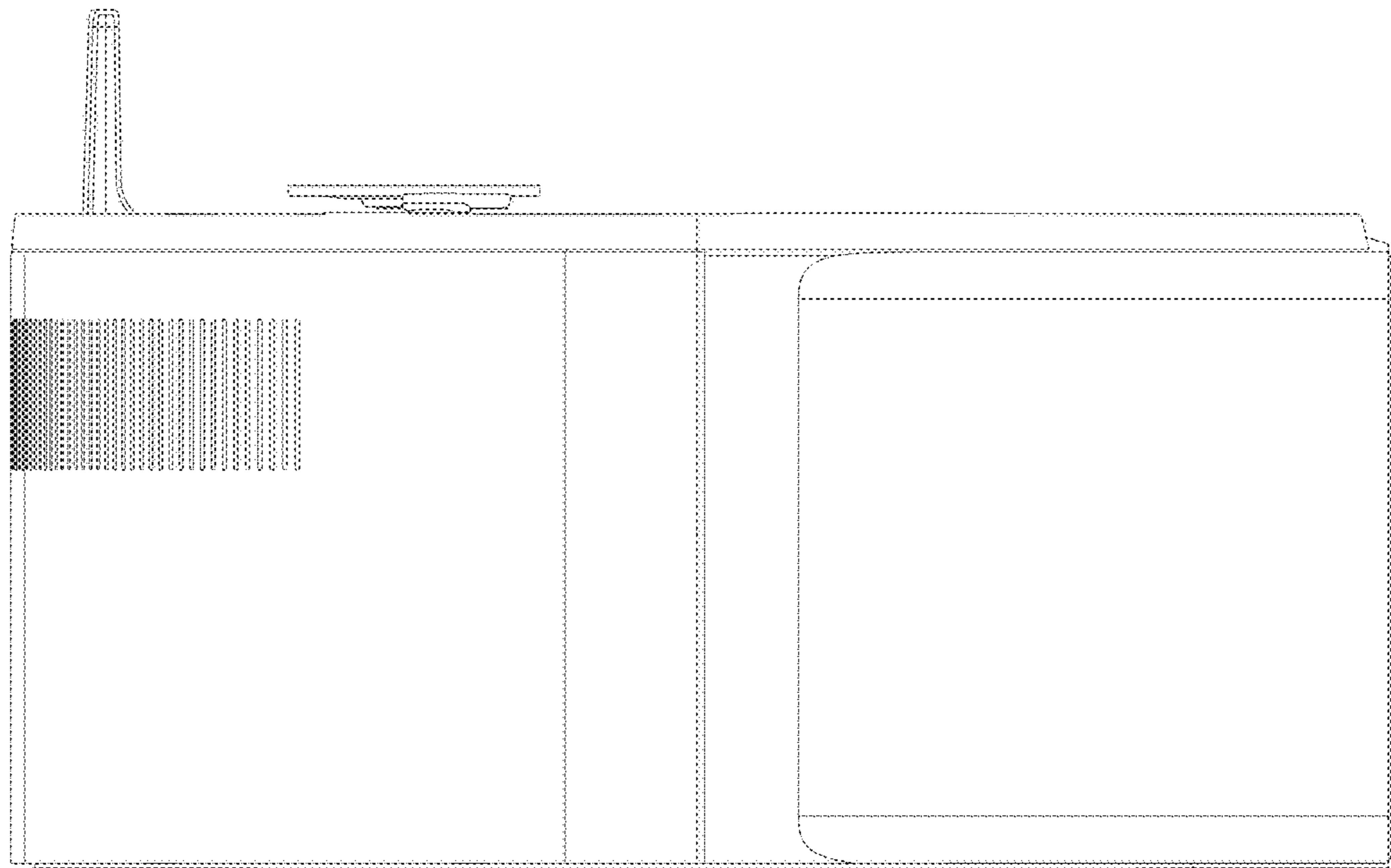


FIG. 6



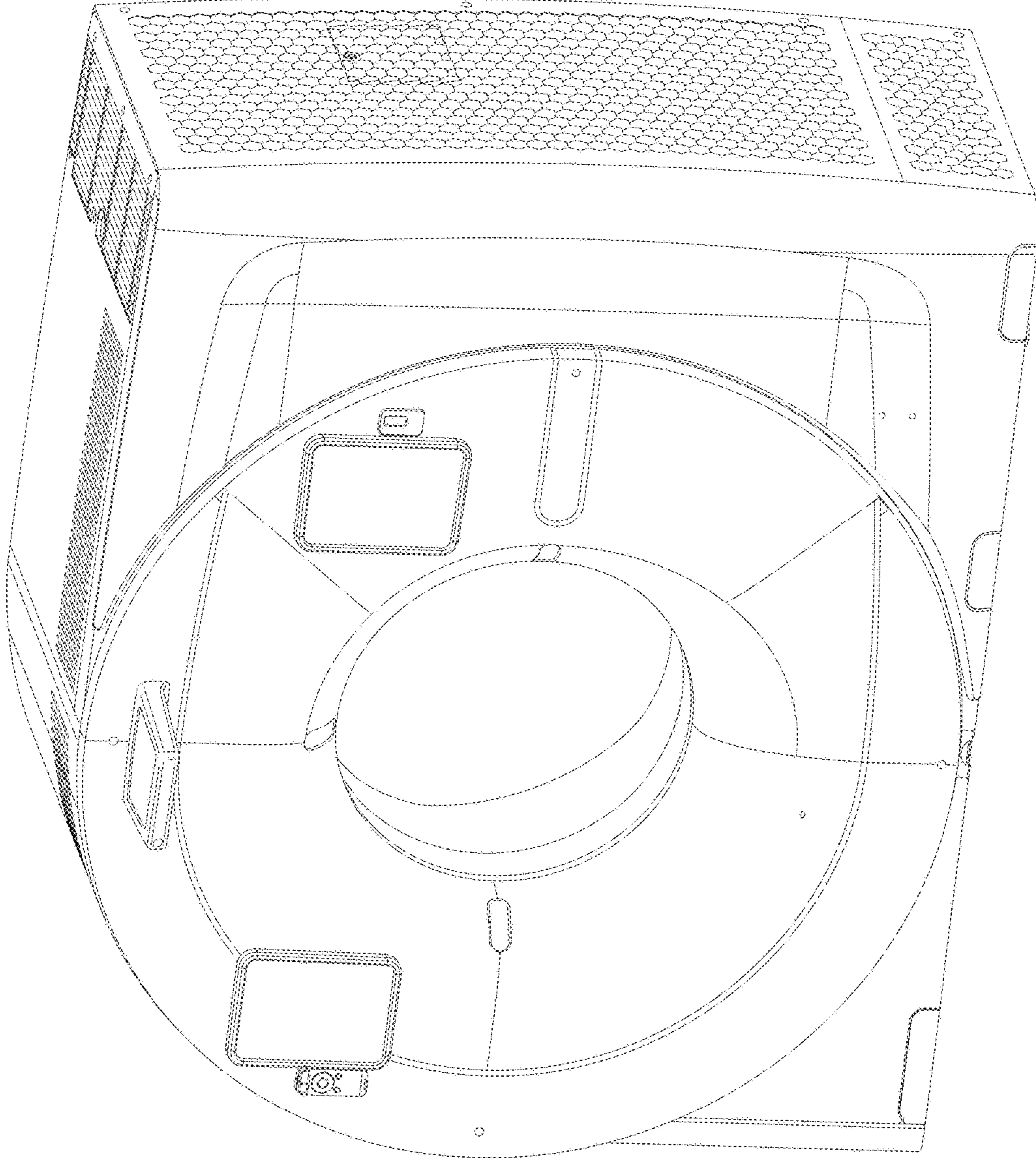
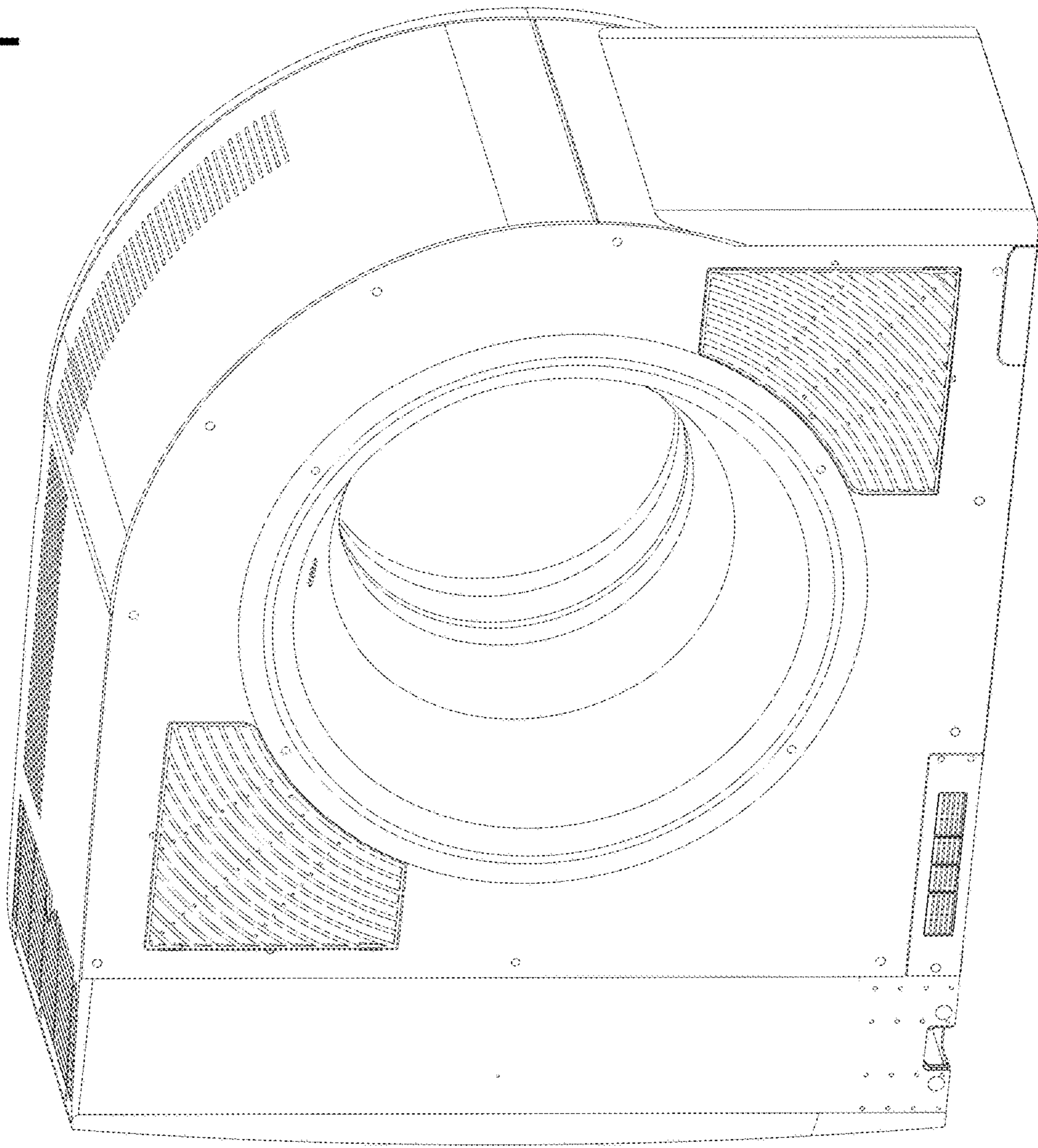


FIG. 7



FIG. 8



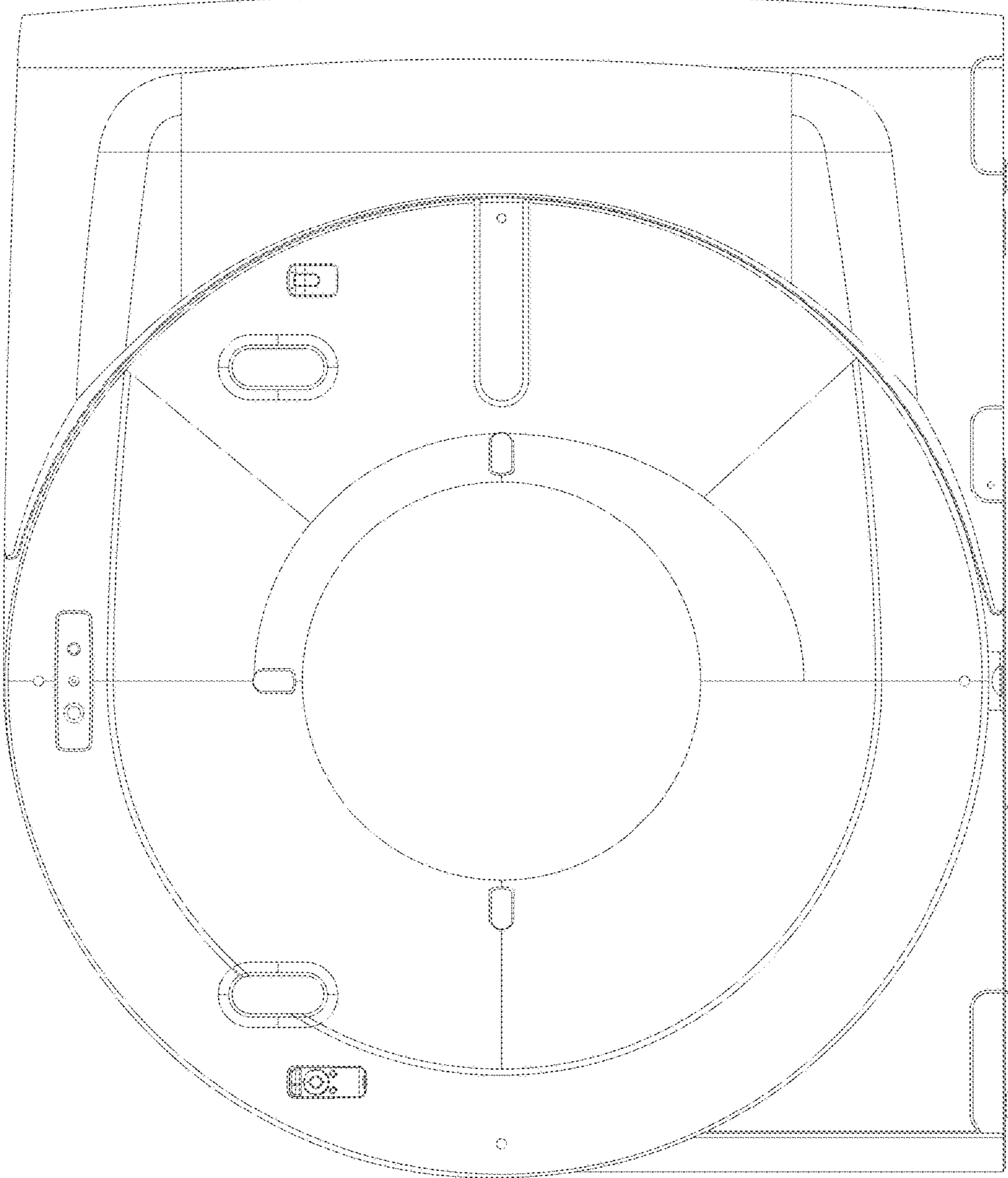


FIG. 9

FIG. 10

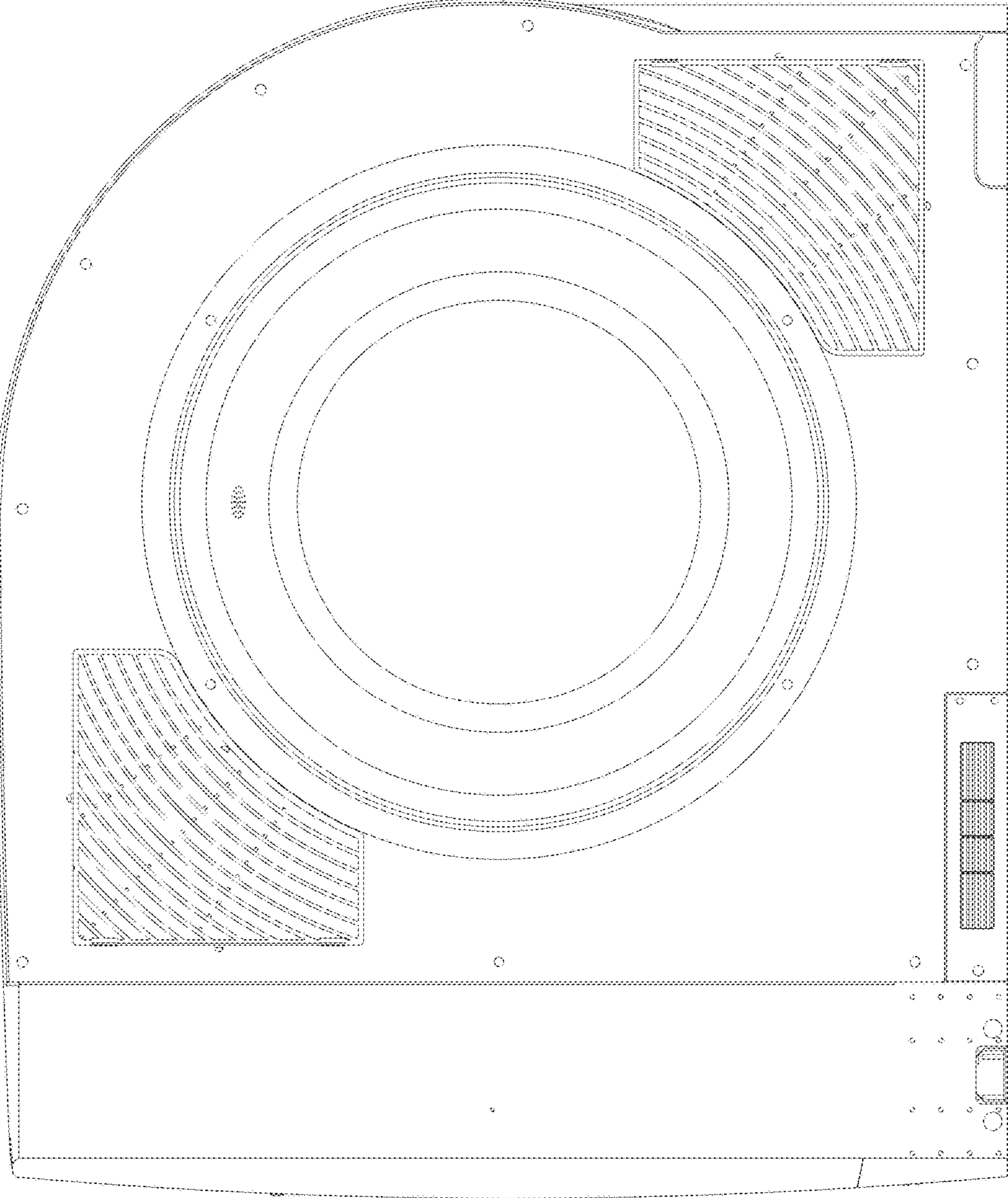




FIG. 11

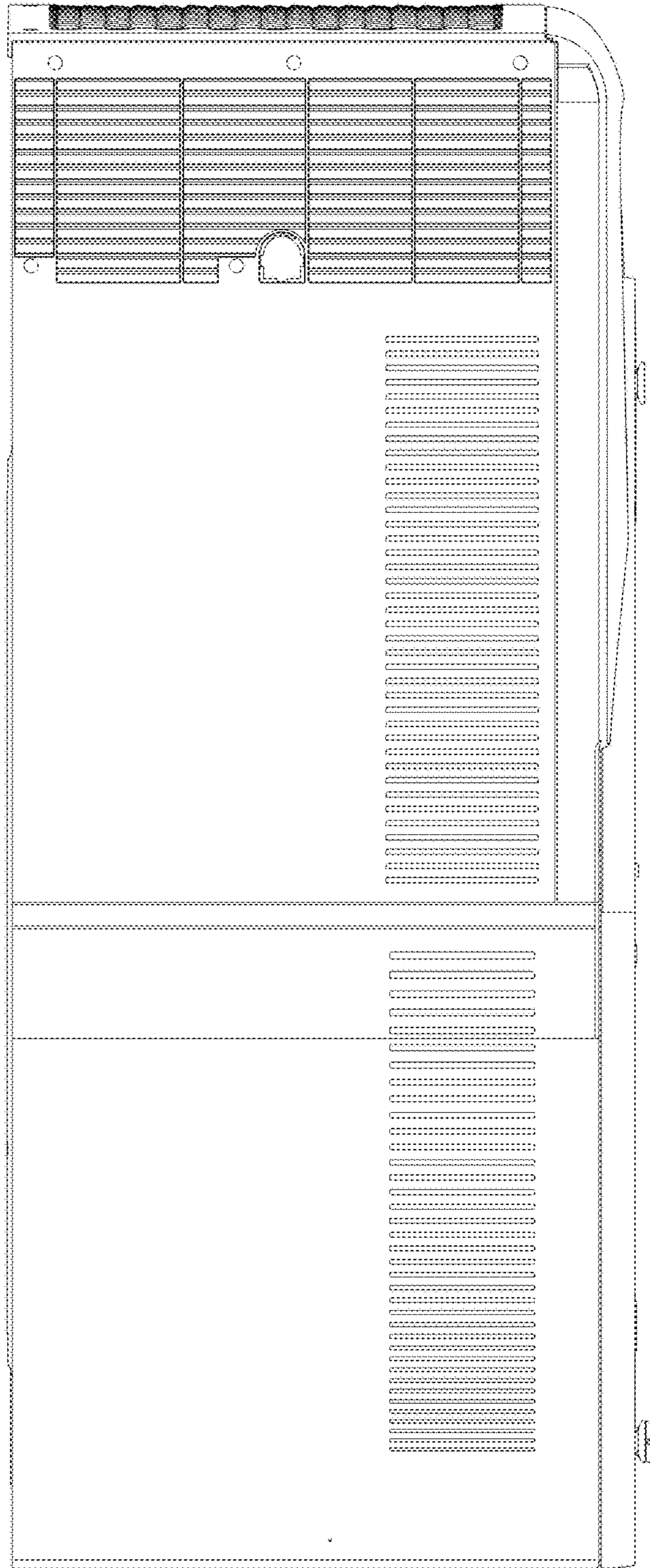
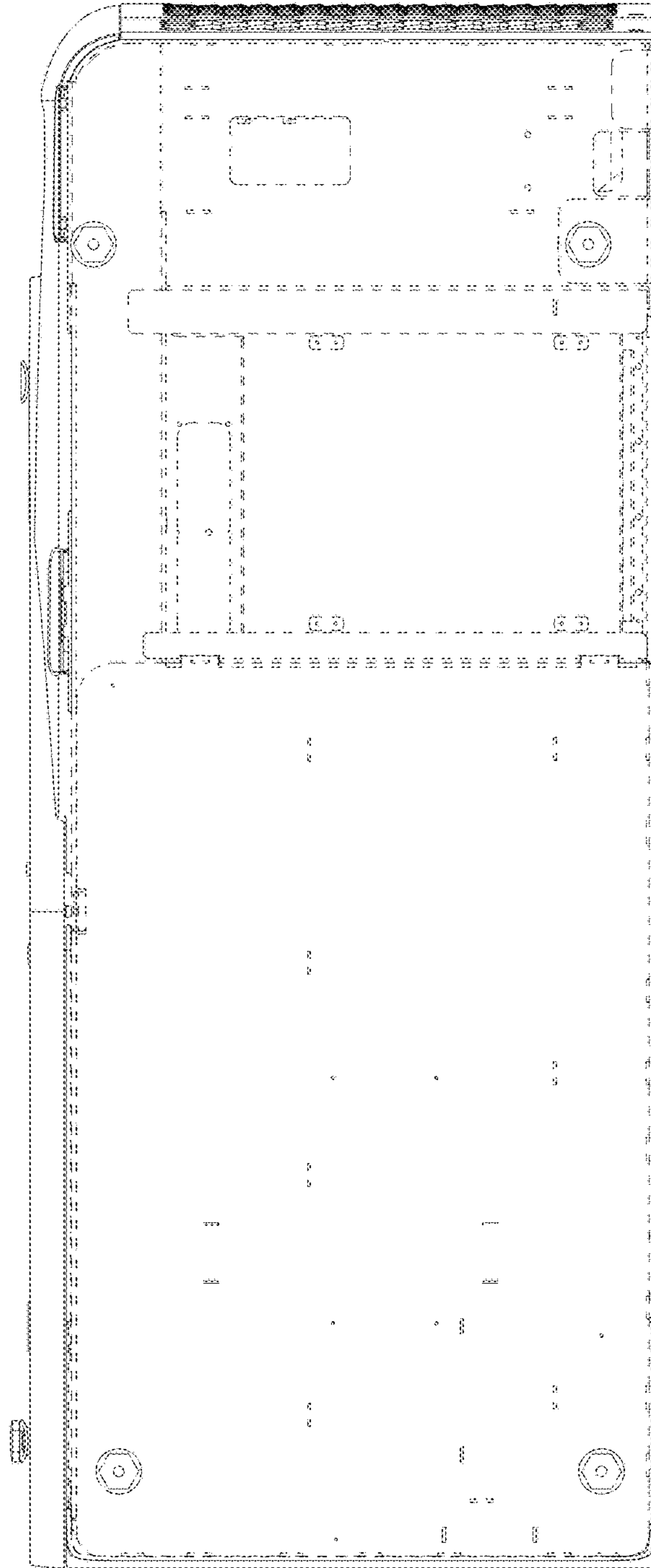




FIG. 12



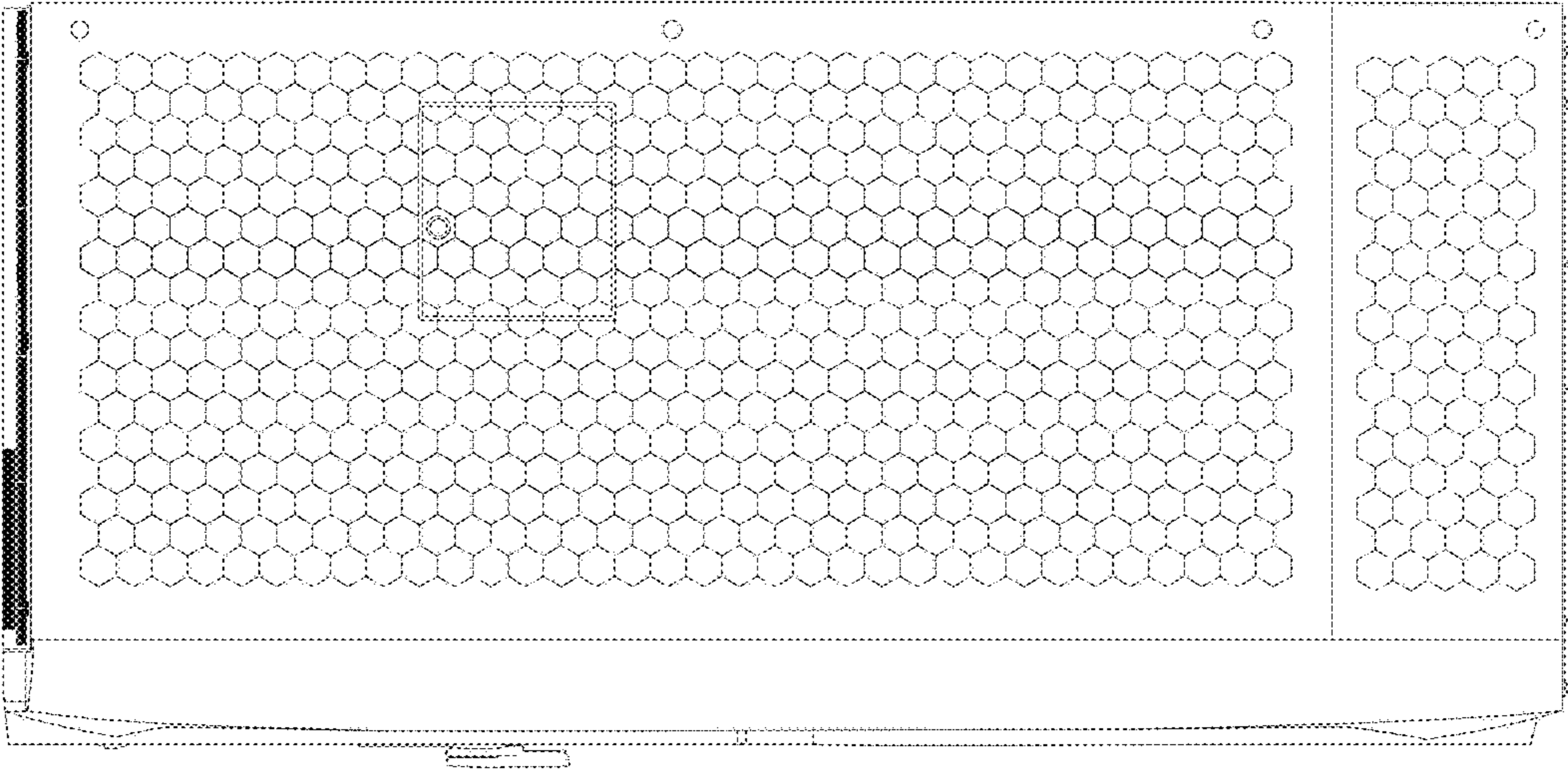


FIG. 13

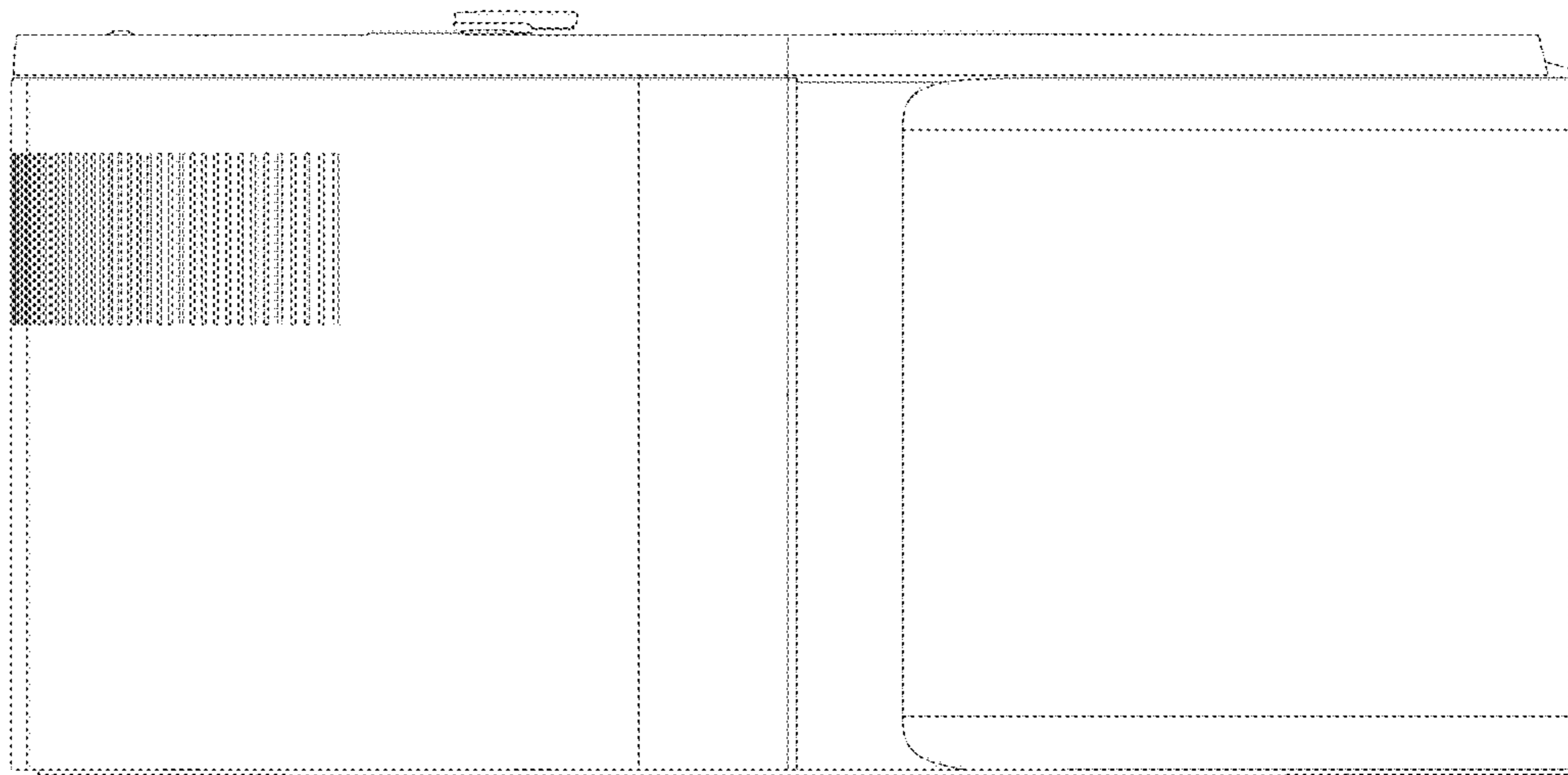


FIG. 14

FIG. 15

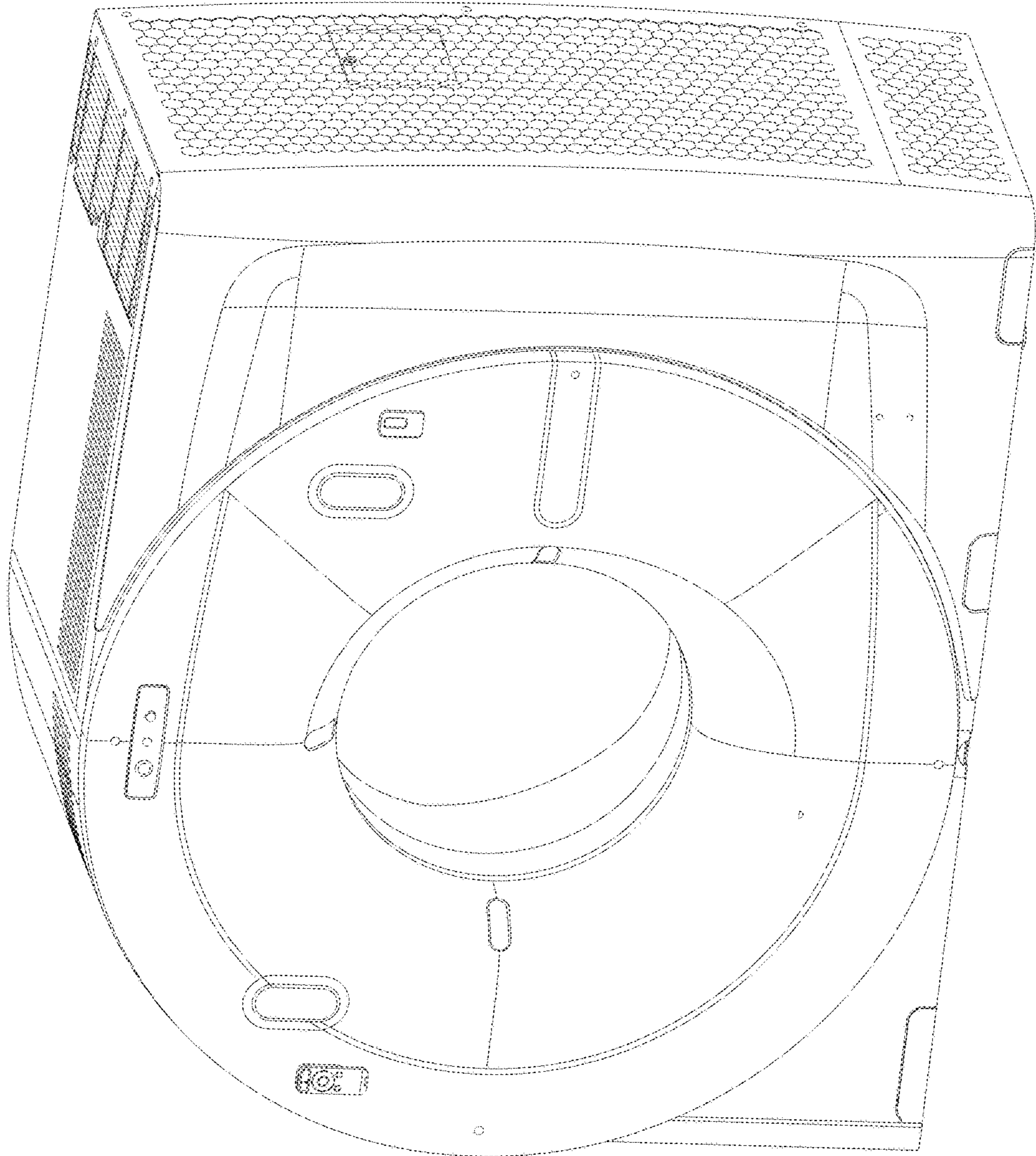




FIG. 16

