



US00D843577S

(12) **United States Design Patent**  
**Zhi et al.**

(10) **Patent No.:** **US D843,577 S**

(45) **Date of Patent:** **\*\* Mar. 19, 2019**

(54) **MRI EQUIPMENT**

(71) Applicant: **SHANGHAI UNITED IMAGING  
HEALTHCARE CO., LTD.**, Shanghai  
(CN)

(72) Inventors: **Chao Zhi**, Shanghai (CN); **Jun Zhang**,  
Shanghai (CN); **Minkai Liu**, Shanghai  
(CN); **Yusheng Yin**, Shanghai (CN);  
**Chunjiang Yao**, Shanghai (CN);  
**Dandan Hu**, Shanghai (CN)

(73) Assignee: **SHANGHAI UNITED IMAGING  
HEALTHCARE CO., LTD.**, Shanghai  
(CN)

(\*\*) Term: **15 Years**

(21) Appl. No.: **29/568,720**

(22) Filed: **Jun. 21, 2016**

(51) **LOC (11) Cl.** ..... **24-01**

(52) **U.S. Cl.**  
USPC ..... **D24/158**

(58) **Field of Classification Search**  
USPC ..... D24/107, 158–161, 185, 186, 187, 231  
CPC .. A61B 6/03; A61B 6/035; A61B 5/05; A61B  
5/055  
See application file for complete search history.

(56) **References Cited**

U.S. PATENT DOCUMENTS

D715,945 S \* 10/2014 Zhang ..... D24/159  
D726,918 S \* 4/2015 Gnielka ..... D24/158

D785,800 S \* 5/2017 Park ..... D24/158  
D785,801 S \* 5/2017 Grosshauser ..... D24/158  
D787,677 S \* 5/2017 Grosshauser ..... D24/158  
D794,798 S \* 8/2017 Grosshauser ..... D24/158

\* cited by examiner

*Primary Examiner* — Anhdao Doan

(74) *Attorney, Agent, or Firm* — Metis IP LLC

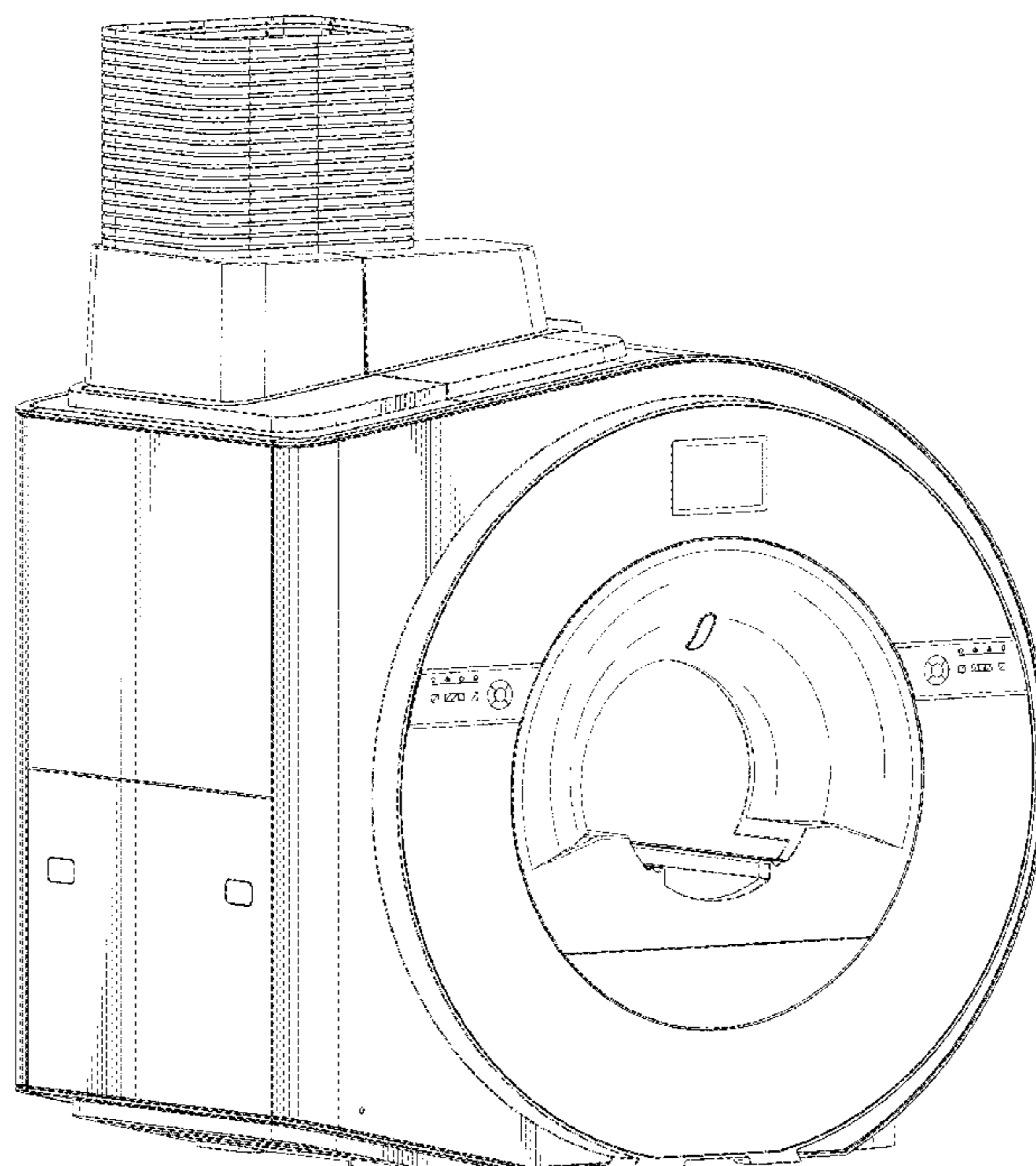
(57) **CLAIM**

The ornamental design for a MRI equipment, as shown and described.

**DESCRIPTION**

FIG. 1 is a front view of an MRI equipment showing our new design;  
FIG. 2 is a rear view thereof;  
FIG. 3 is a left view thereof;  
FIG. 4 is a right view thereof;  
FIG. 5 is a top view thereof;  
FIG. 6 is a bottom view thereof;  
FIG. 7 is a first perspective view thereof; and,  
FIG. 8 is a second perspective view thereof.  
The broken lines showing in the views are for the purpose of illustrating portions of the MRI equipment that form no part of the claimed design; the broken lines form no part of the claimed design.

**1 Claim, 8 Drawing Sheets**



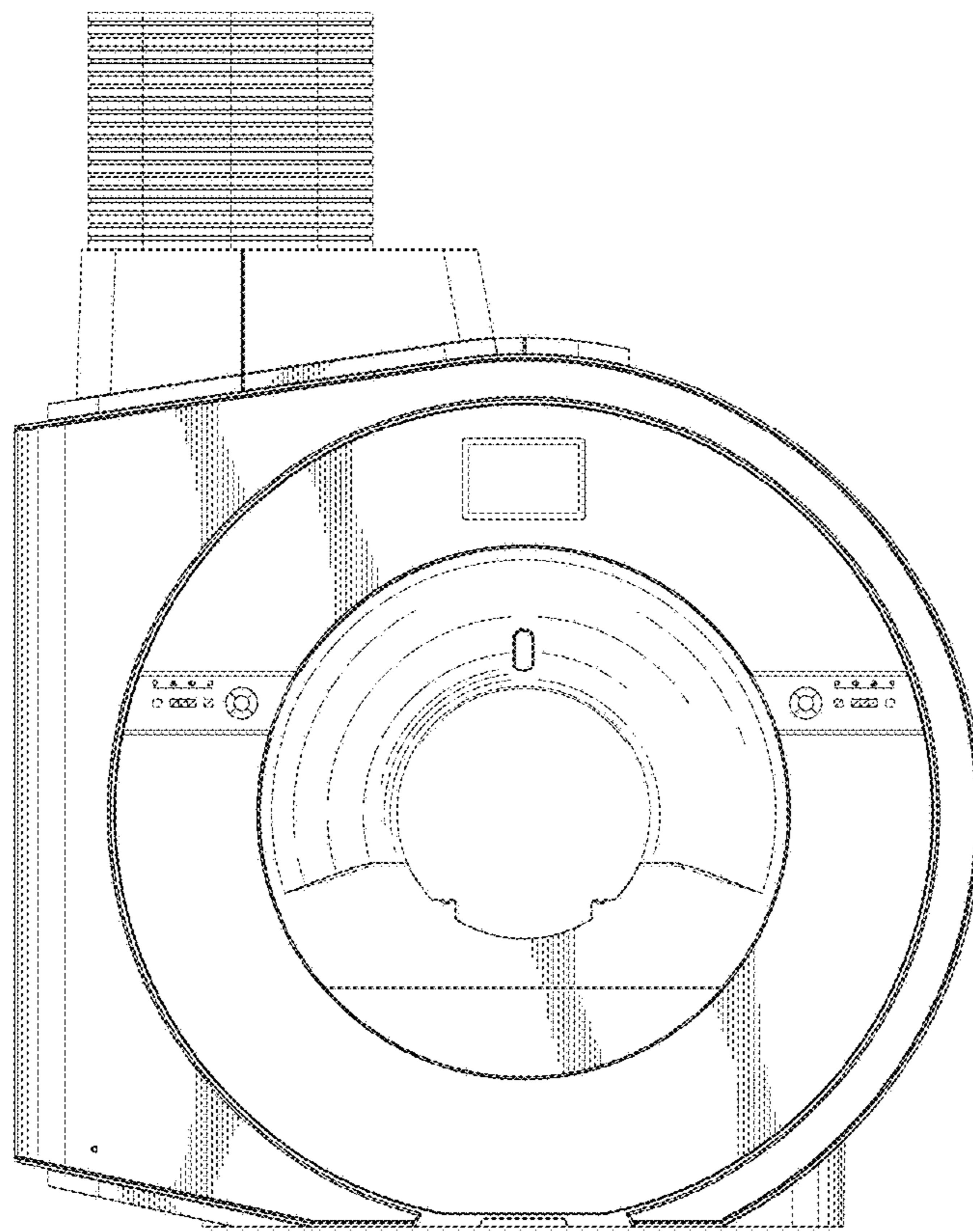


FIG. 1

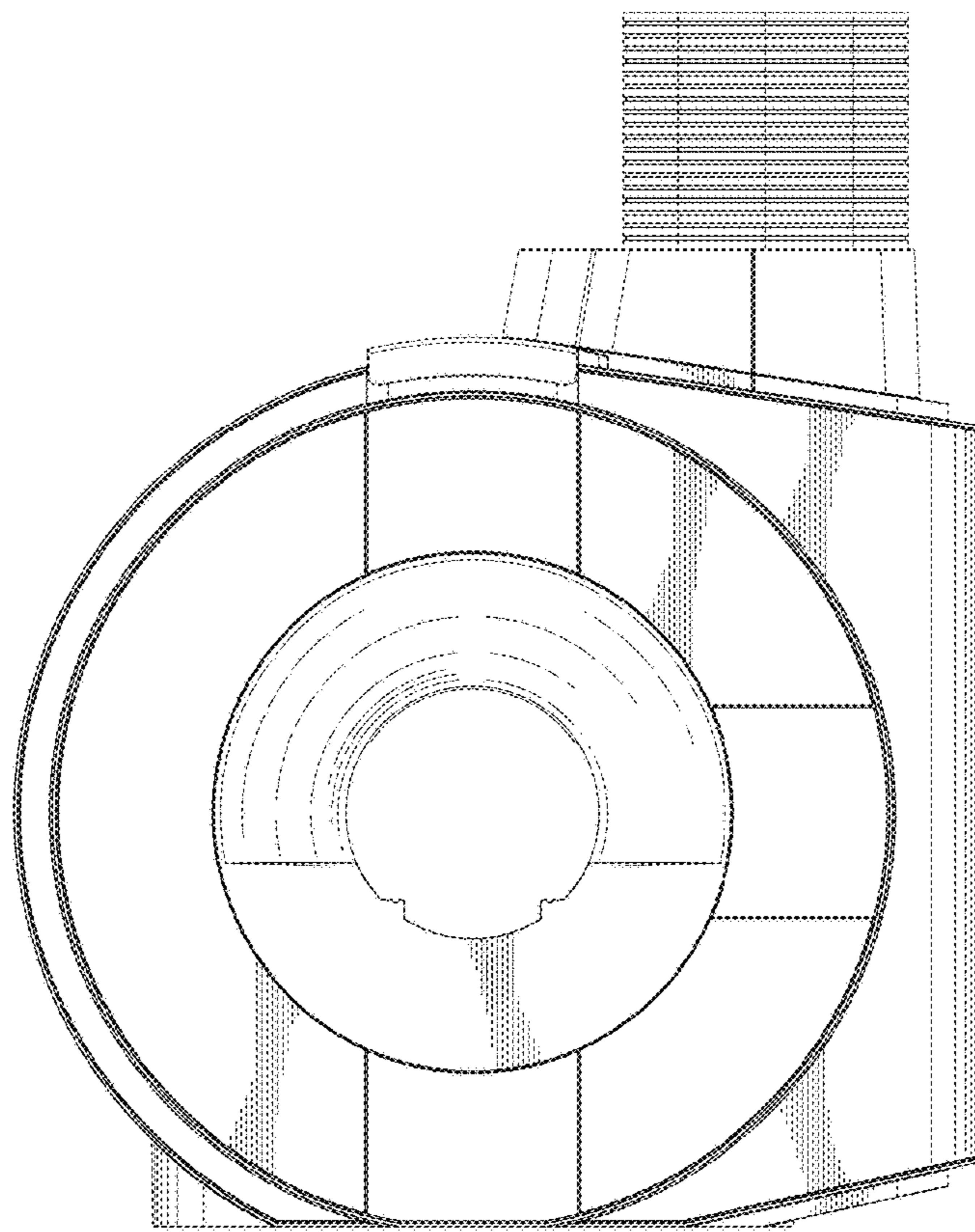


FIG. 2

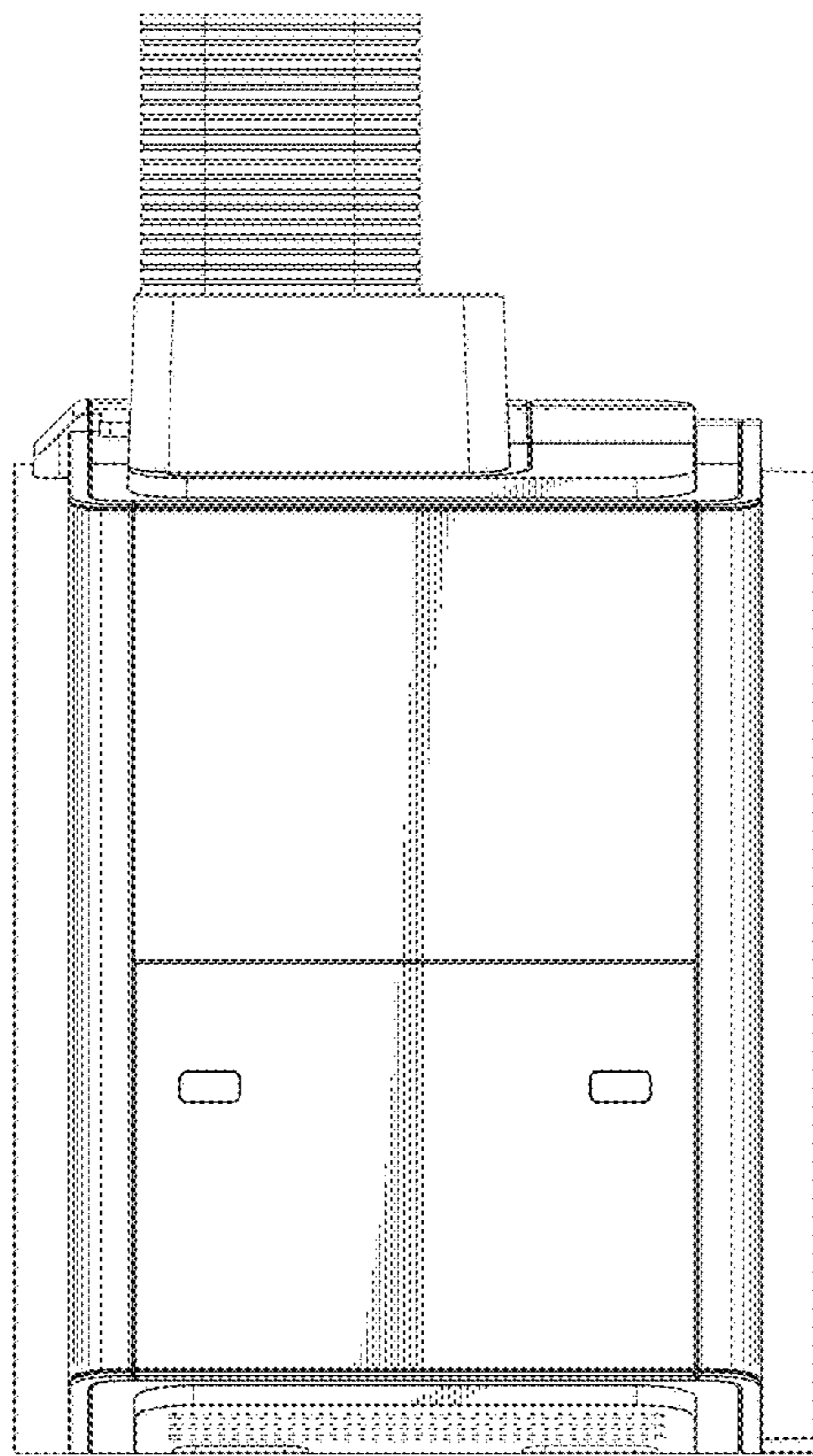


FIG. 3

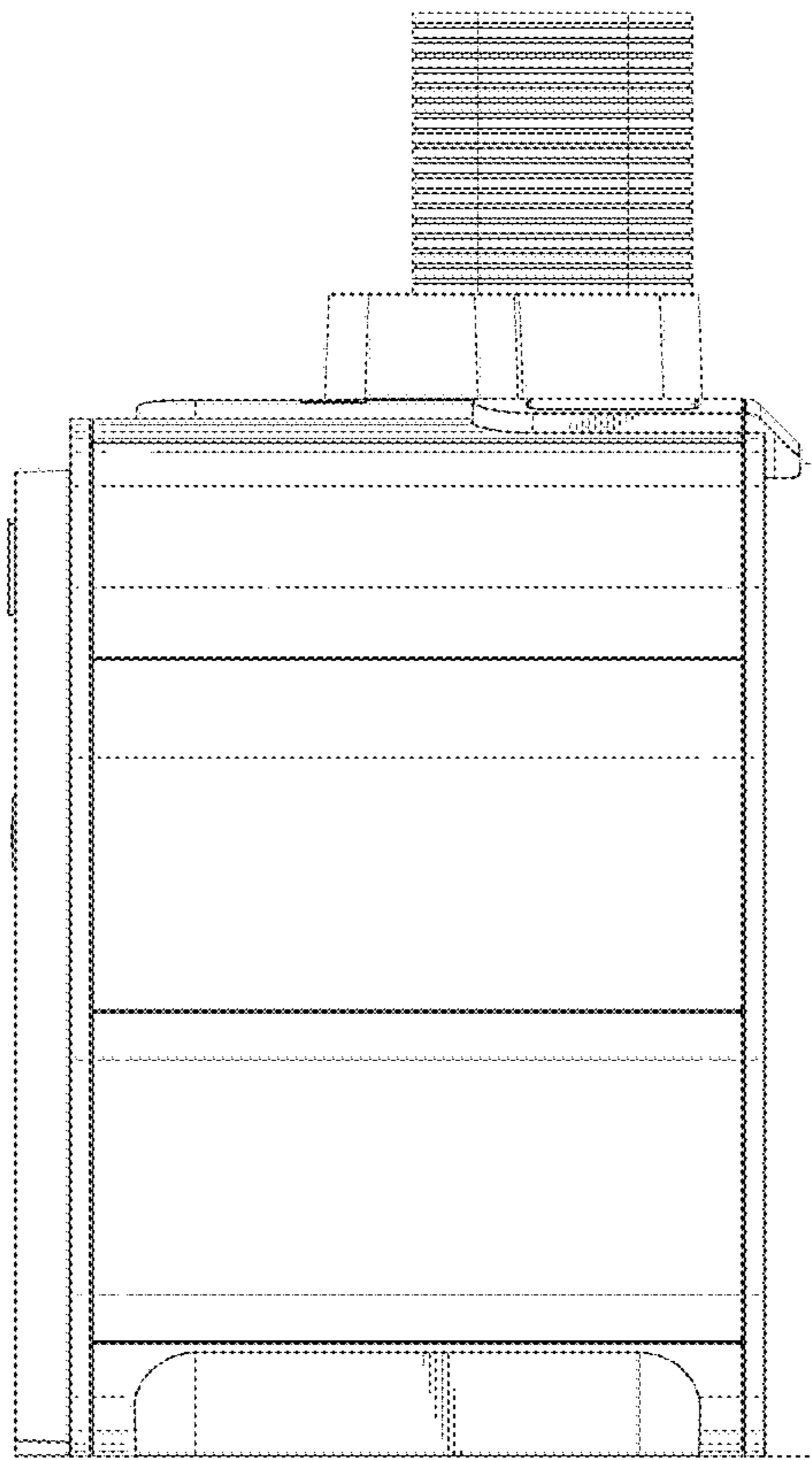


FIG. 4

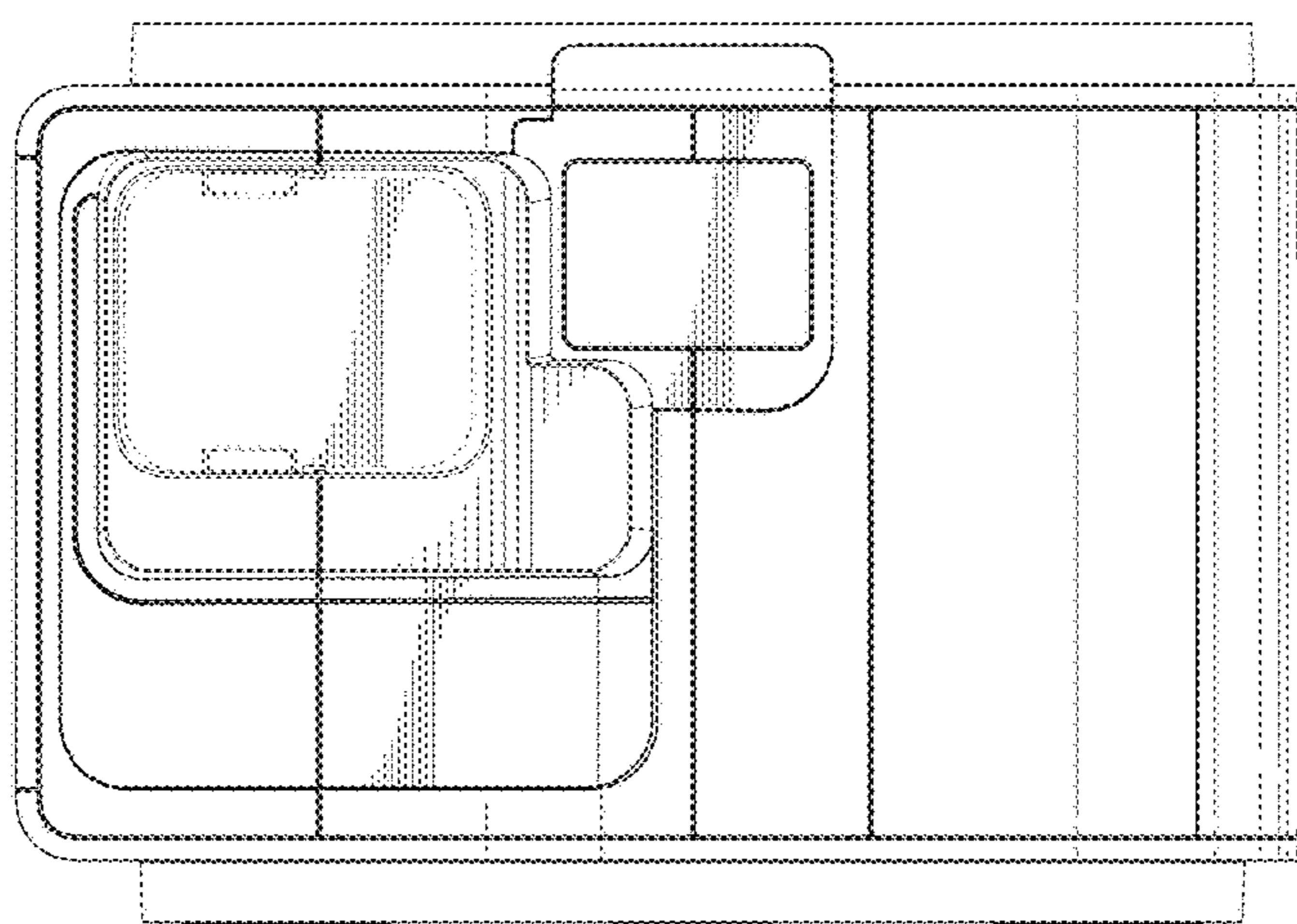


FIG. 5

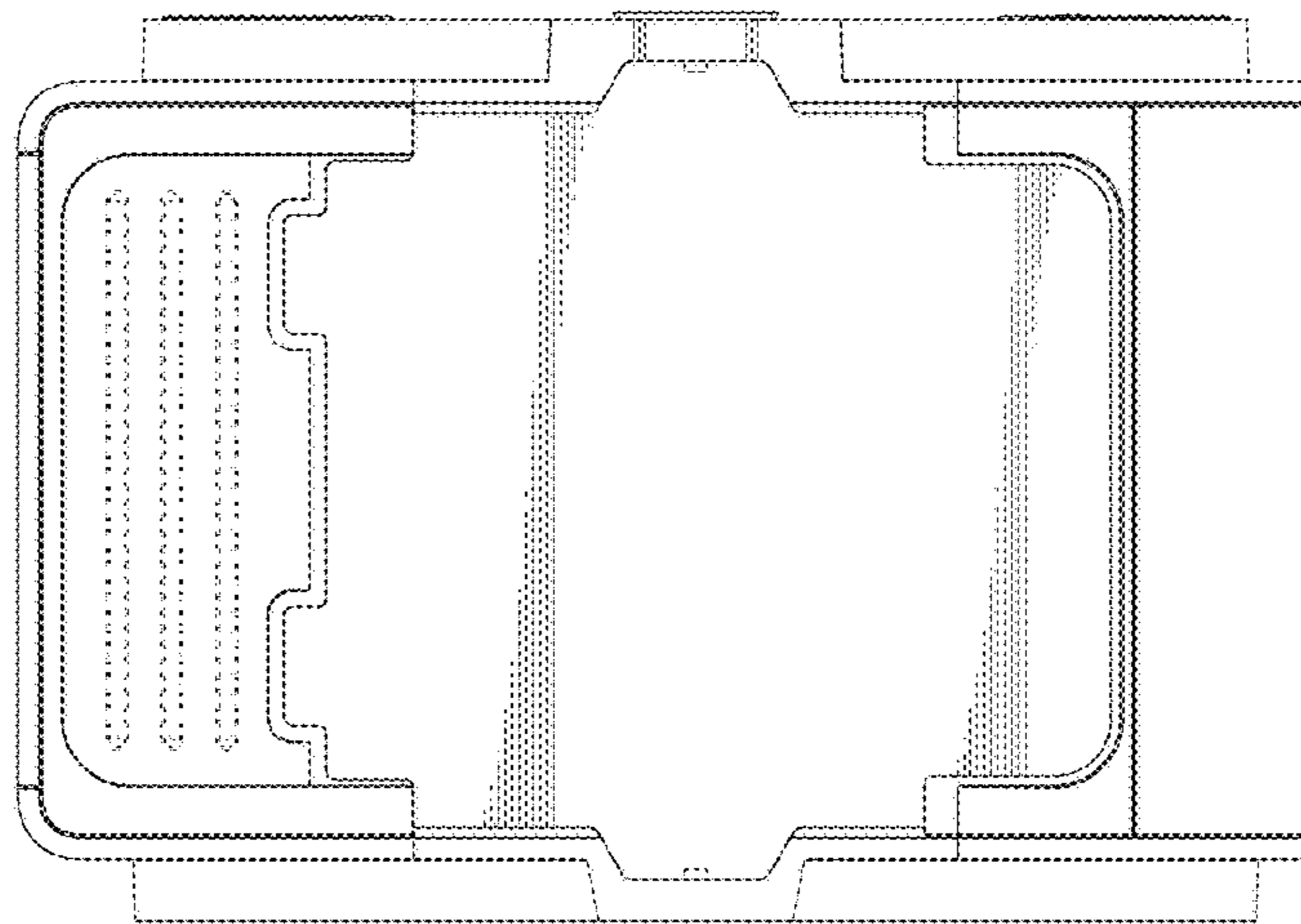


FIG. 6

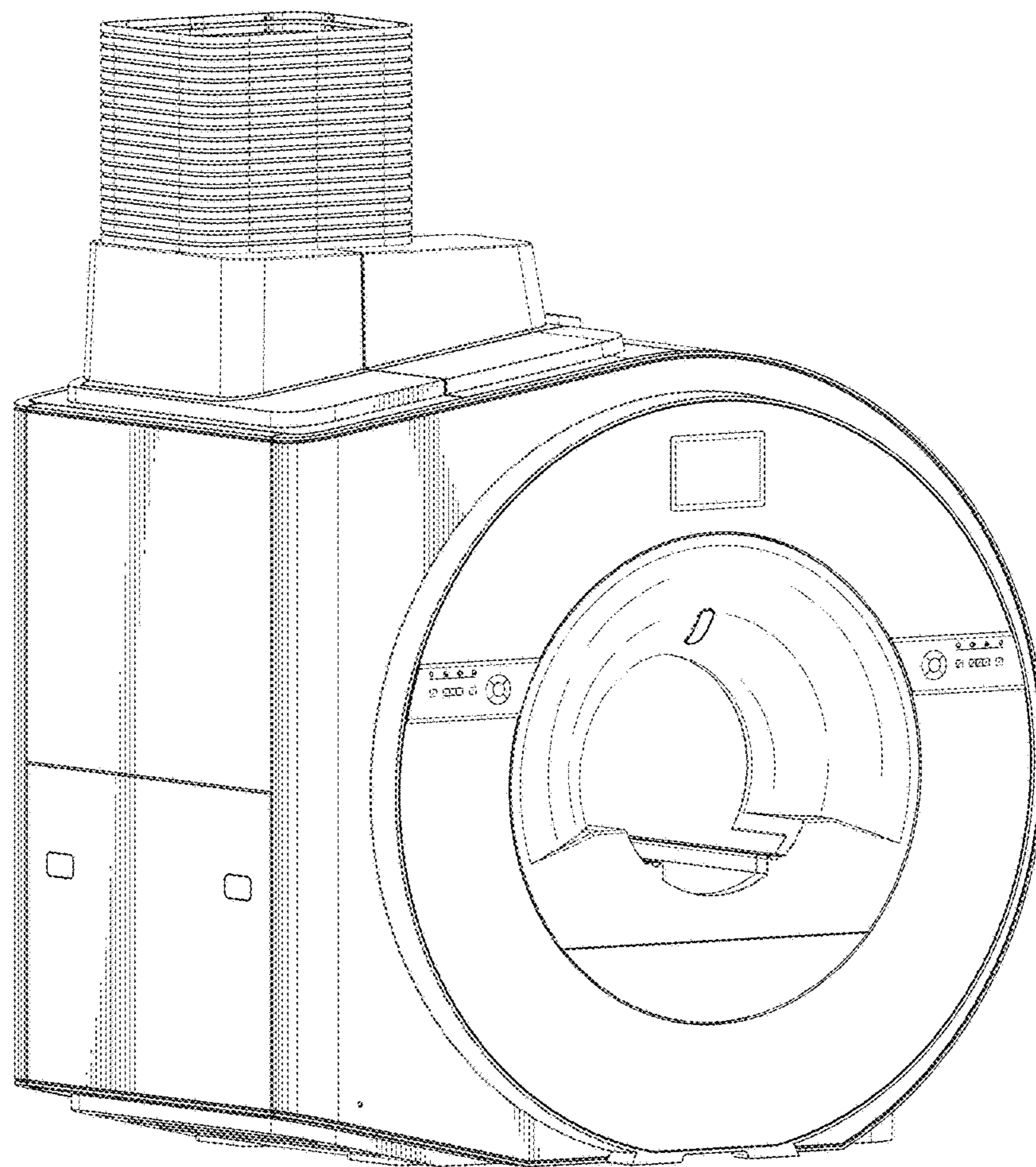


FIG. 7



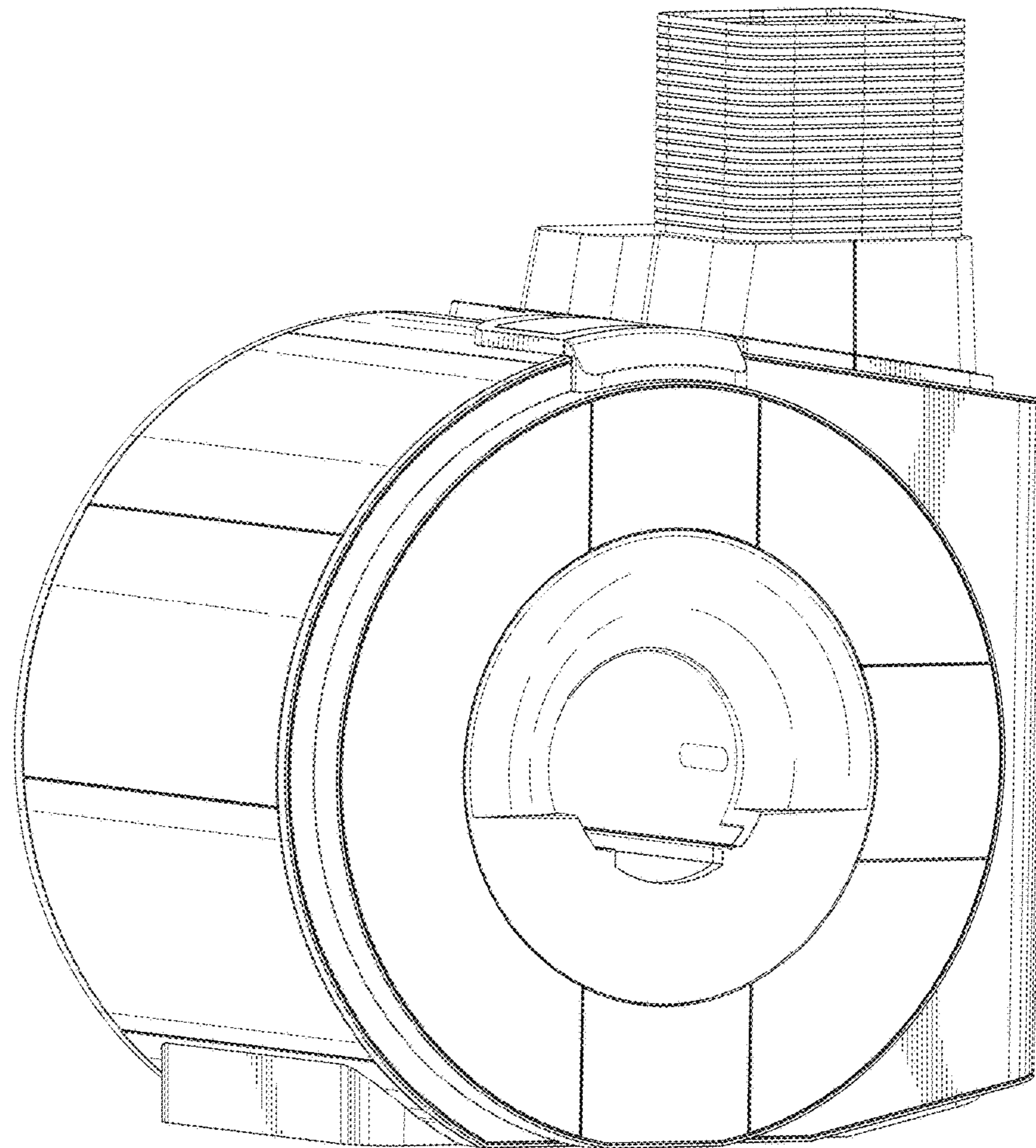


FIG. 8