



US00D843576S

(12) **United States Design Patent**
Skeats et al.

(10) **Patent No.:** **US D843,576 S**
(45) **Date of Patent:** **** Mar. 19, 2019**

- (54) **HAND-GRASPABLE GRIP**
- (71) Applicant: **Micro-X Limited**, Clovelly Park (AU)
- (72) Inventors: **Anthony Skeats**, Myrtlebank (AU);
Richard Byers, Cremorne (AU); **Peter Rowland**, Kenton Valley (AU)
- (**) Term: **15 Years**
- (21) Appl. No.: **29/561,909**
- (22) Filed: **Apr. 20, 2016**
- (30) **Foreign Application Priority Data**

D716,447 S * 10/2014 Kim D24/158
 D716,448 S * 10/2014 Kim D24/158
 D726,919 S * 4/2015 Doerre D24/158
 D726,923 S * 4/2015 Baba D24/158

* cited by examiner

Primary Examiner — Anhdao Doan

(74) *Attorney, Agent, or Firm* — Seed IP Law Group LLP

- Oct. 20, 2015 (AU) 201515551
- (51) **LOC (11) Cl.** **24-01**
- (52) **U.S. Cl.**
USPC **D24/158**
- (58) **Field of Classification Search**
USPC D24/158-161, 186, 107, 185; D8/107,
D8/303; D3/12; D12/130; D34/27
CPC .. A61B 5/05; A61B 5/055; A61B 6/03; A61B
6/035; A61B 6/4405; A61B 6/4411; A61B
6/4435; A61B 6/4441; A61B 6/4447
See application file for complete search history.

(57) **CLAIM**

The ornamental design for a hand-graspable grip, as shown and described.

DESCRIPTION

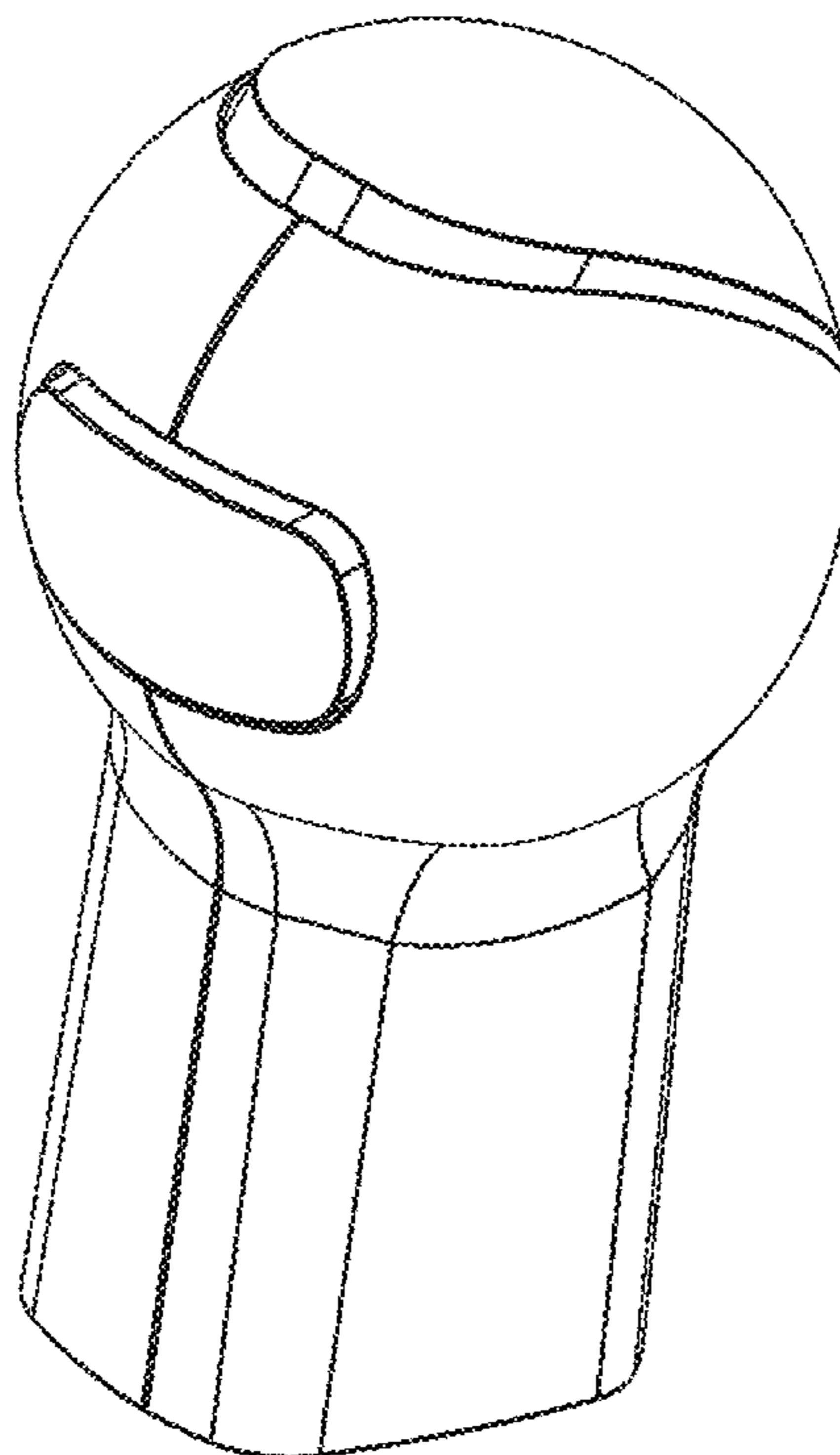
FIG. 1 is a rear view of a hand-graspable grip;
 FIG. 2 is a bottom perspective view thereof;
 FIG. 3 is a bottom view thereof;
 FIG. 4 is a front view thereof;
 FIG. 5 is a first side perspective view thereof;
 FIG. 6 is a second side perspective view thereof;
 FIG. 7 is a top view of a hand-graspable grip;
 FIG. 8 is an upper perspective view thereof;
 FIG. 9 is an upper front perspective view thereof; and,
 FIG. 10 is a lower front perspective view thereof.
 The broken lines illustrate portions of the hand graspable grip that form no part of the claimed design.

(56) **References Cited**

U.S. PATENT DOCUMENTS

D640,120 S * 6/2011 Zorovich D8/107
 D698,357 S * 1/2014 Mainville D12/174

1 Claim, 10 Drawing Sheets



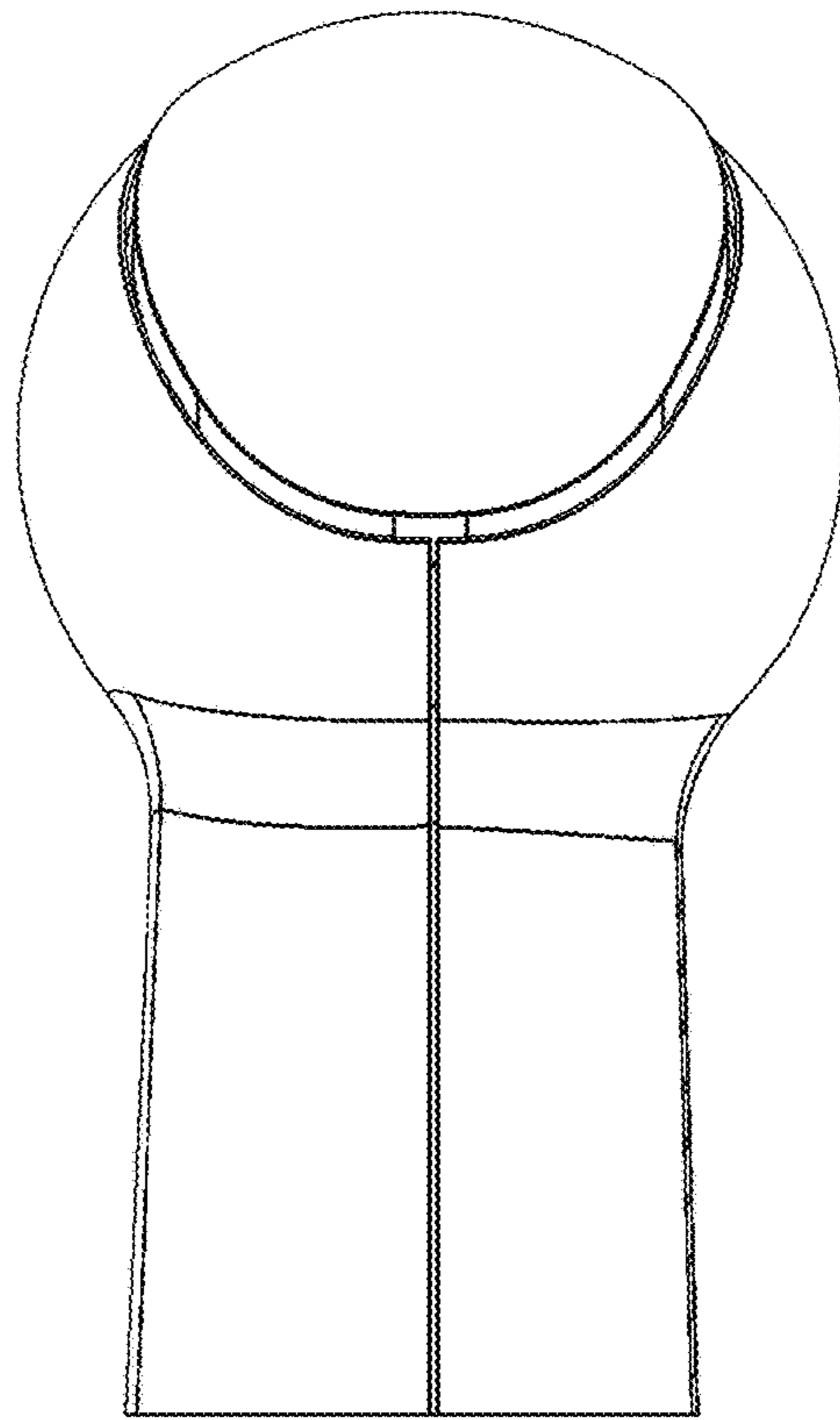


FIG. 1

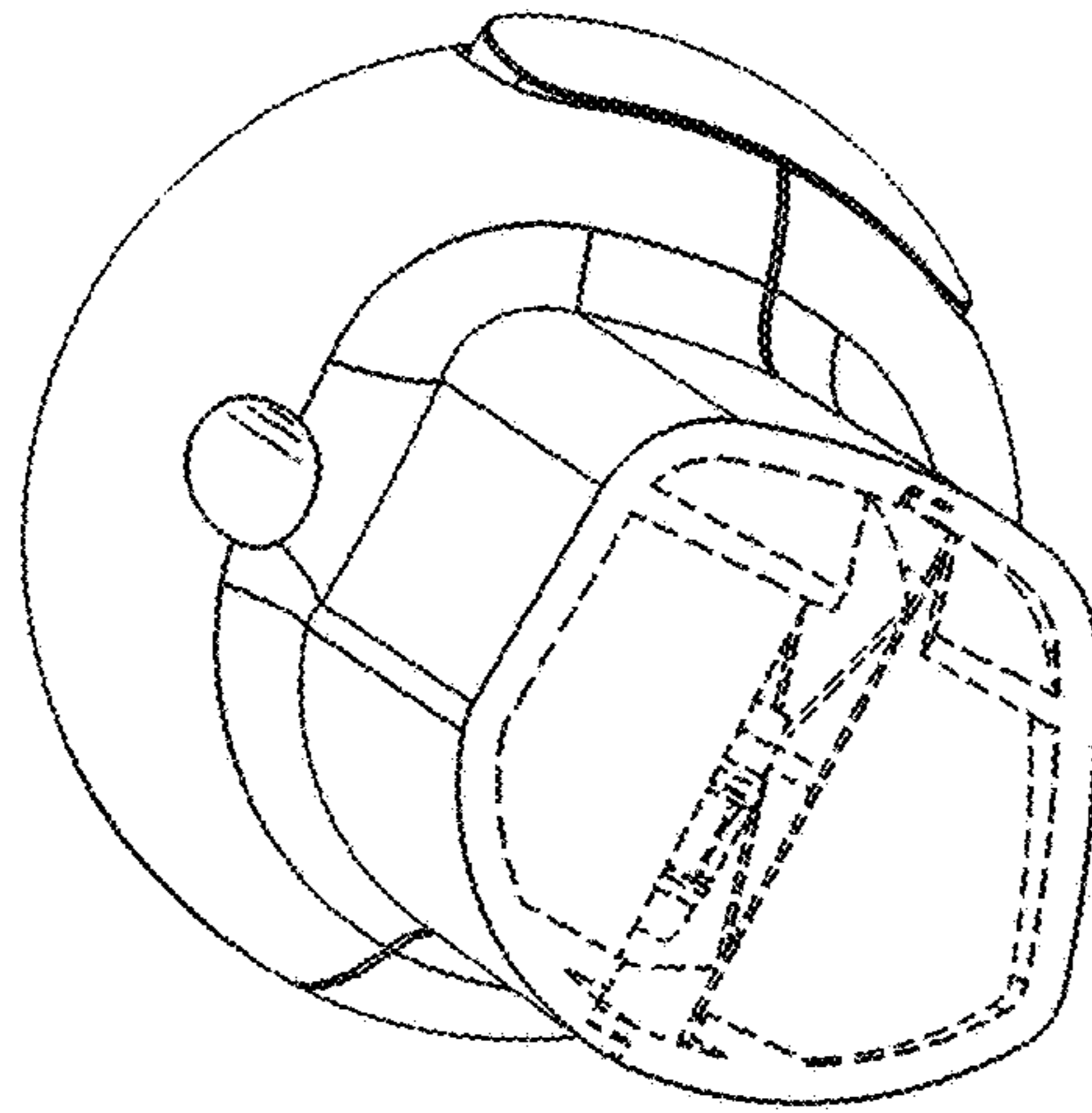


FIG. 2

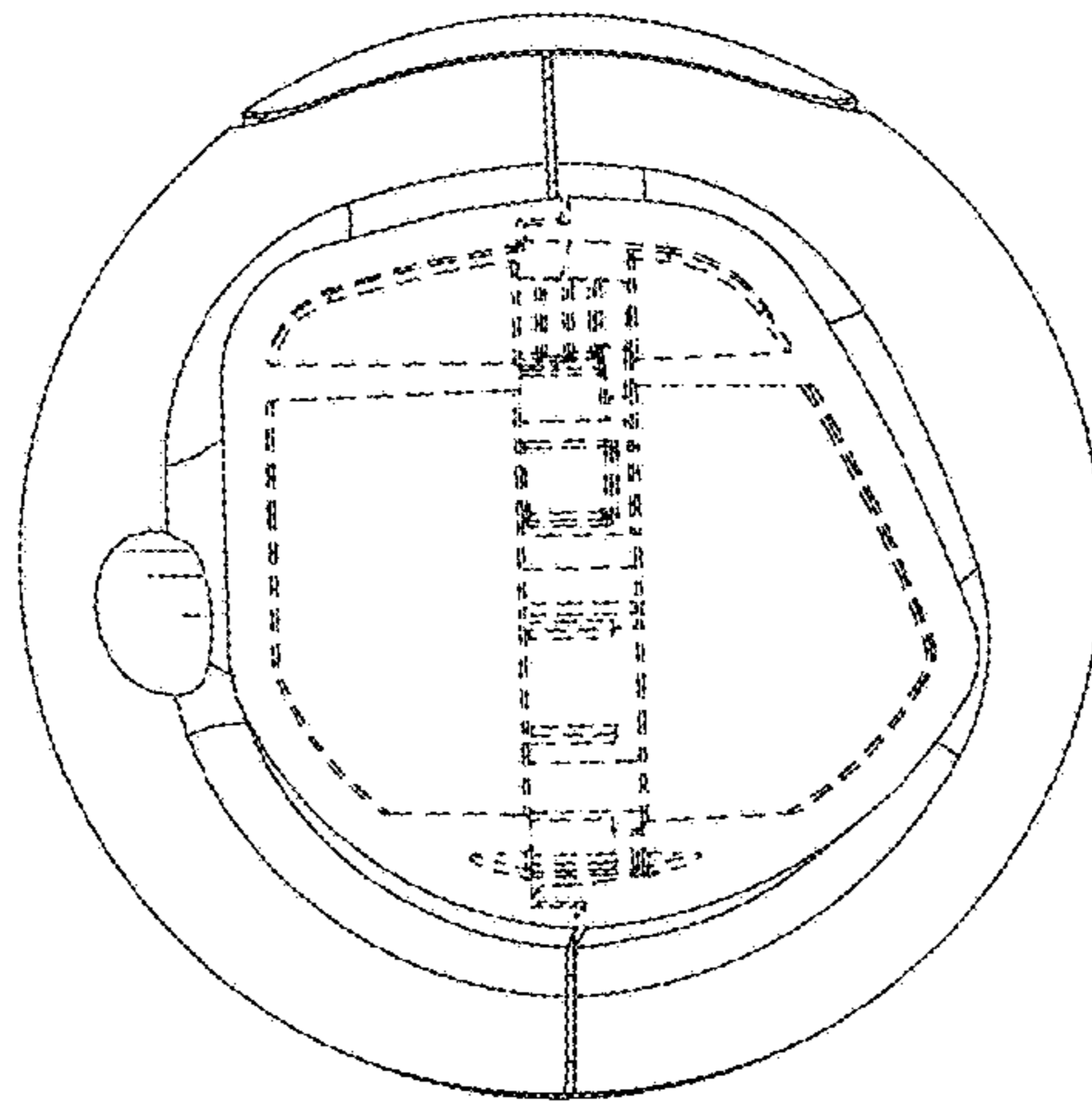


FIG. 3

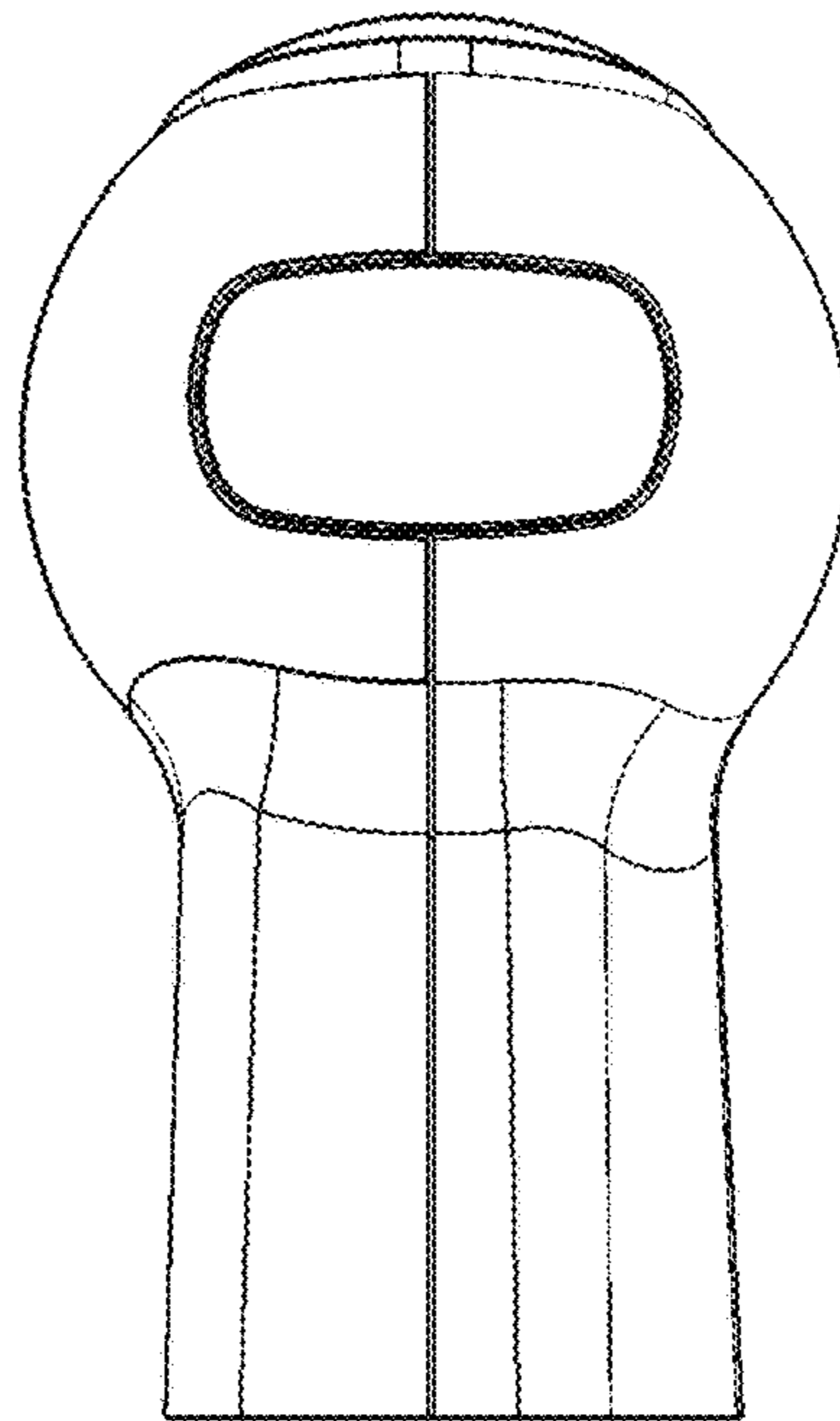


FIG. 4

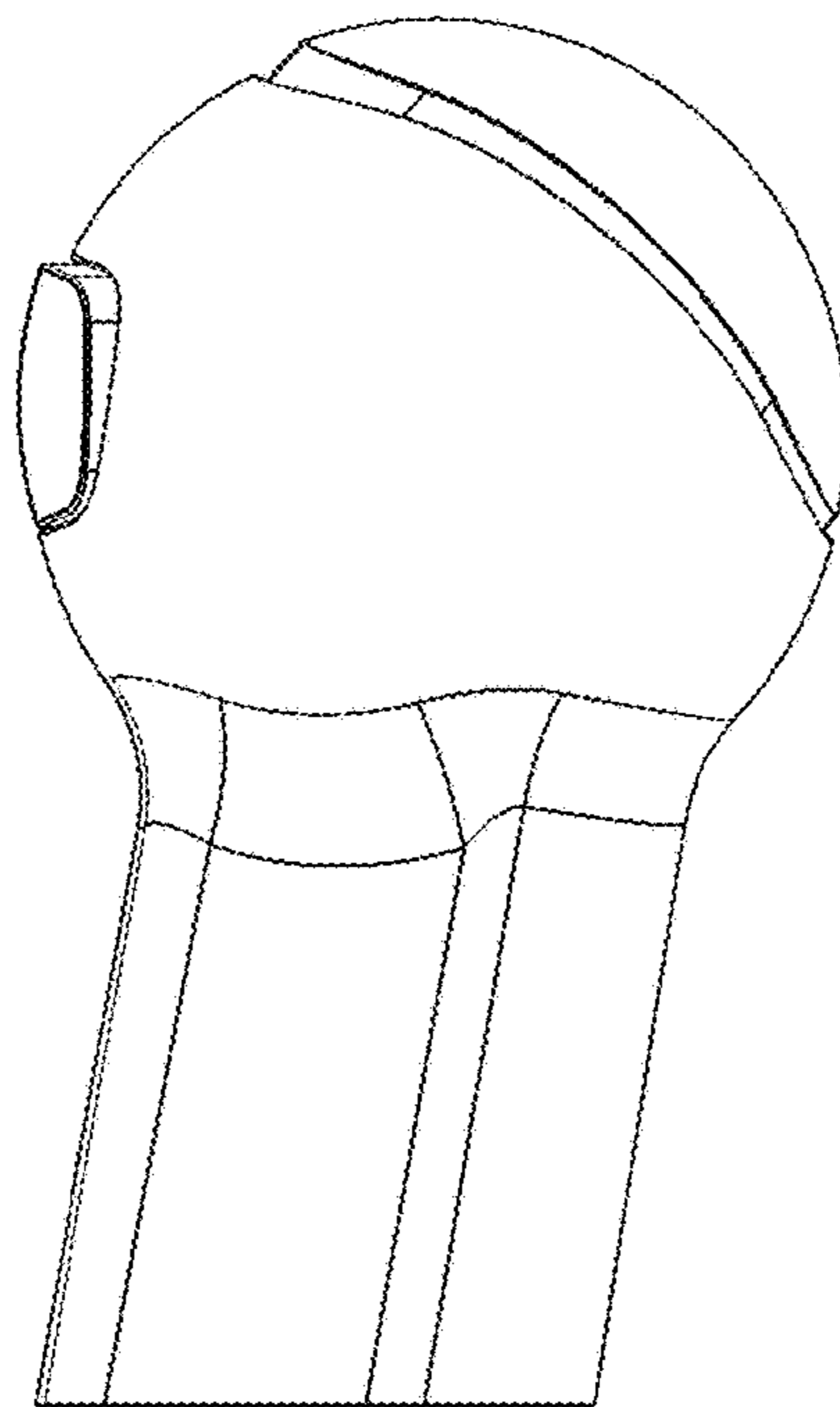


FIG. 5

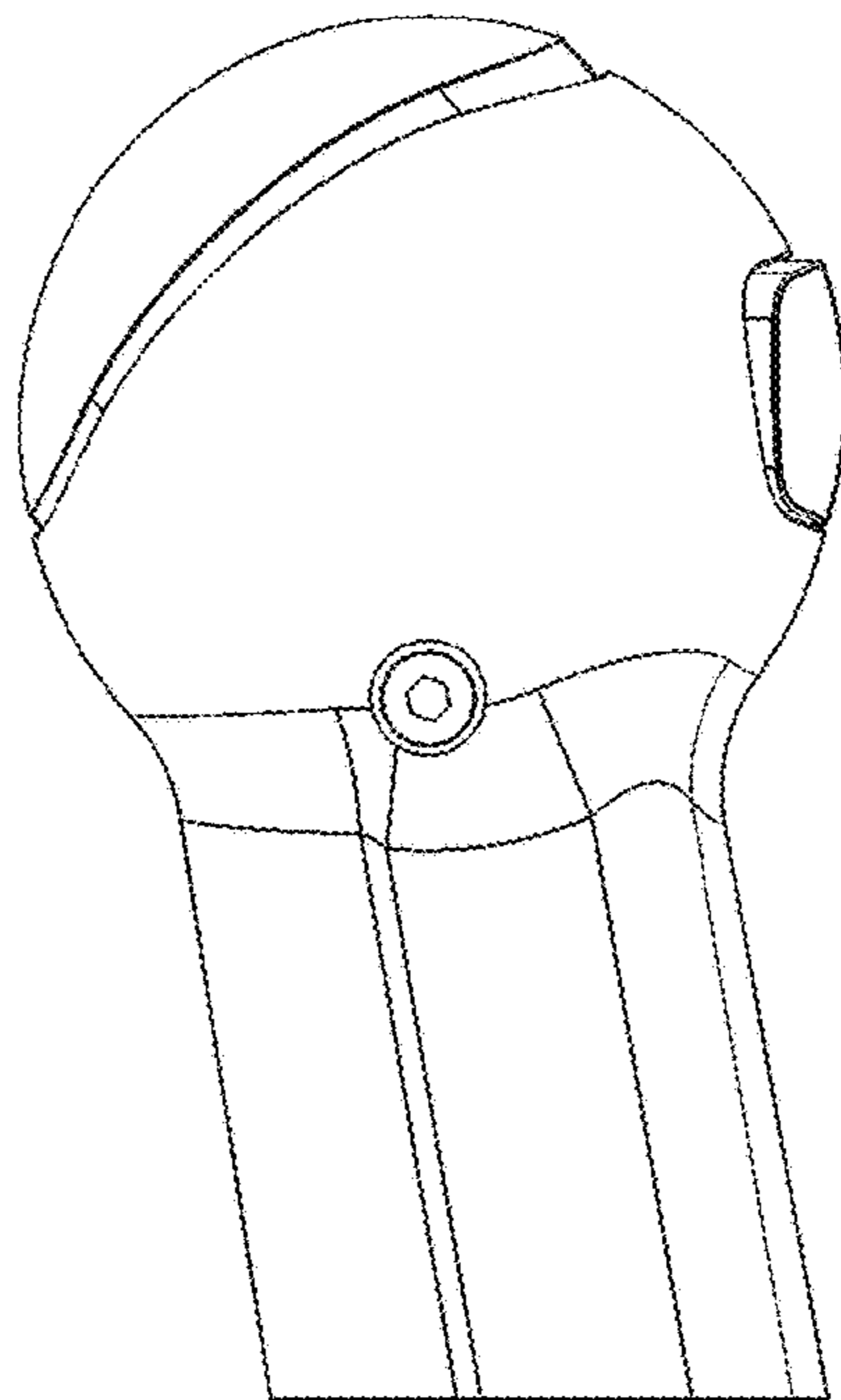


FIG. 6

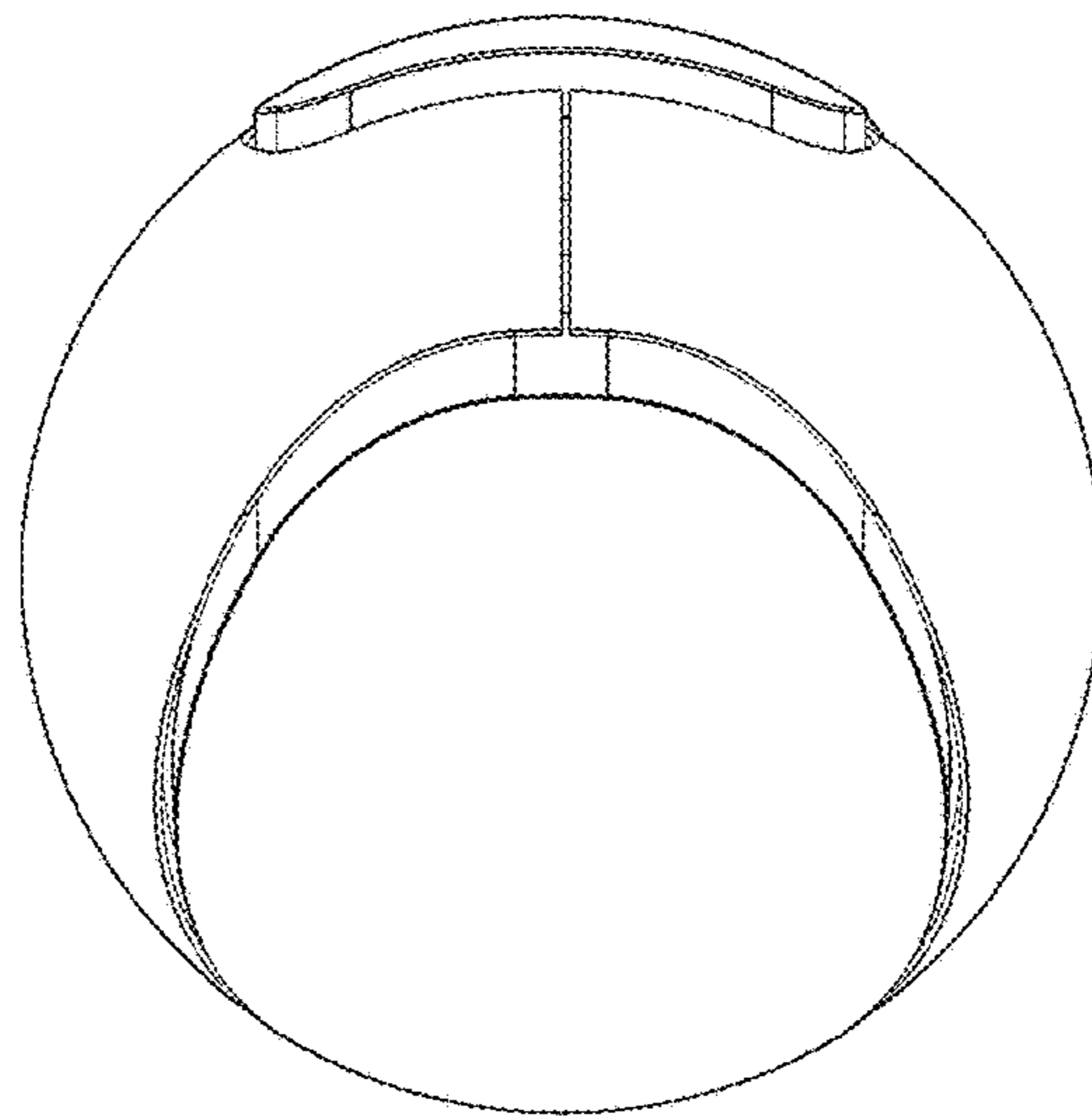


FIG. 7

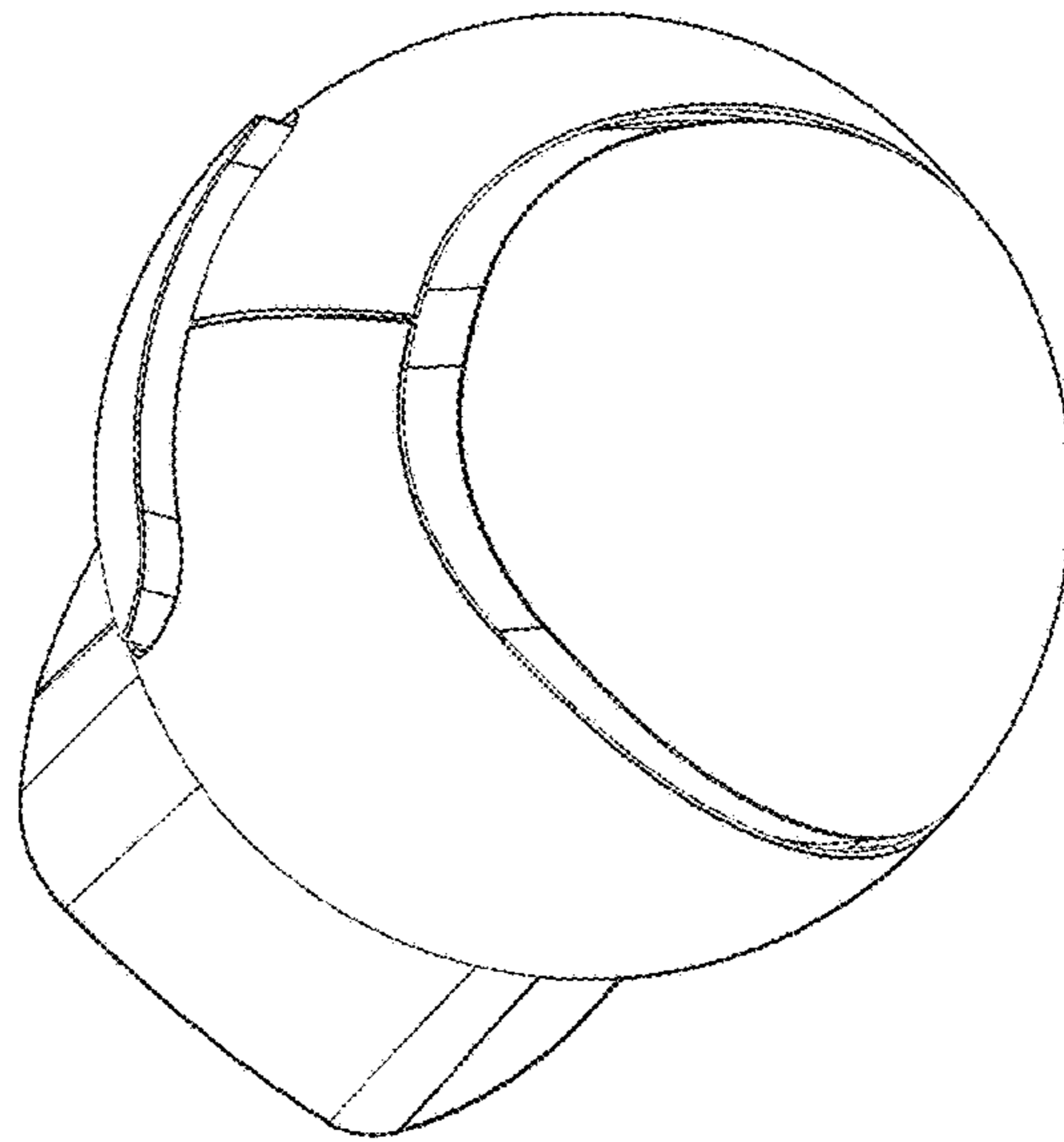


FIG. 8

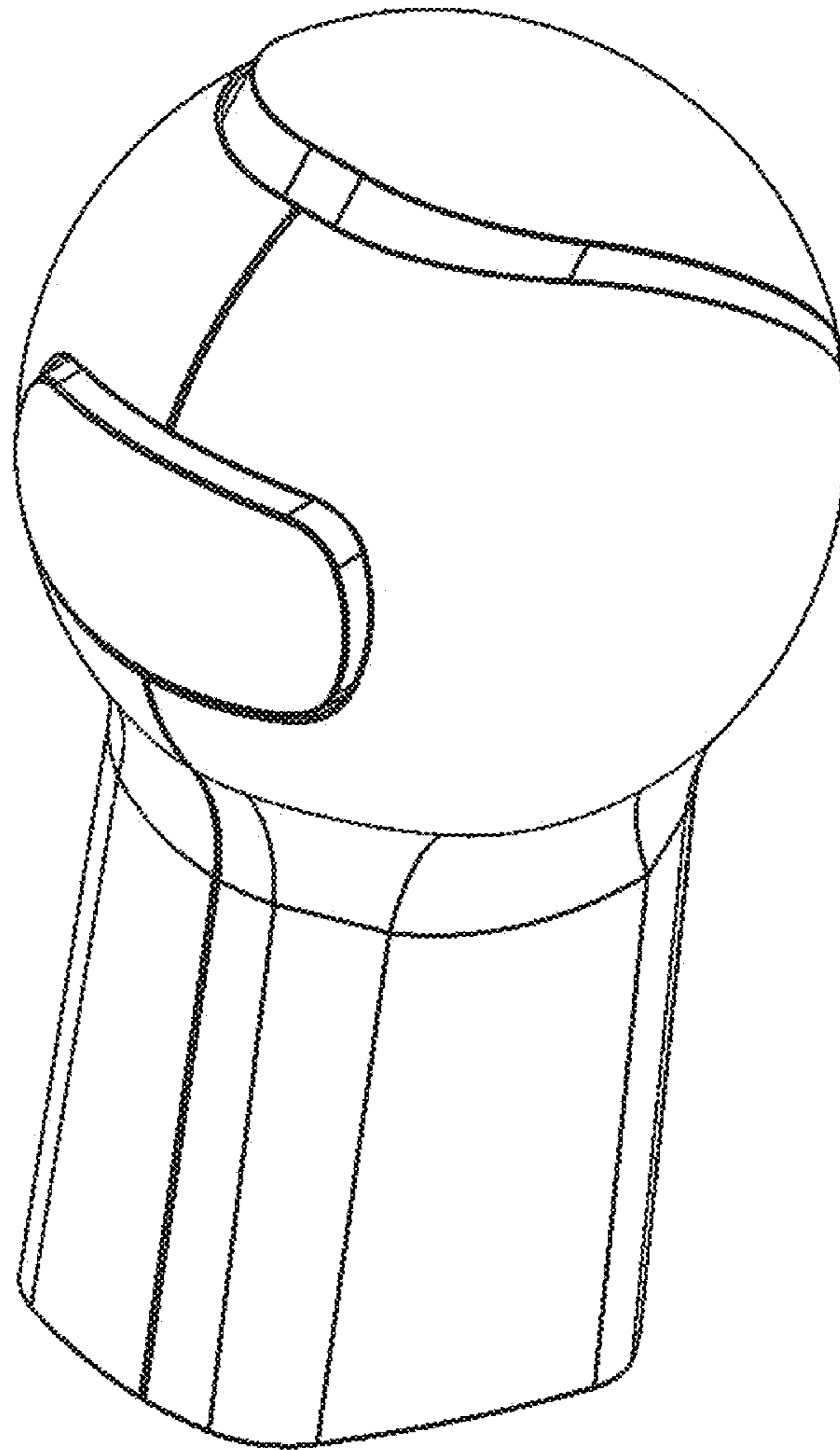


FIG. 9

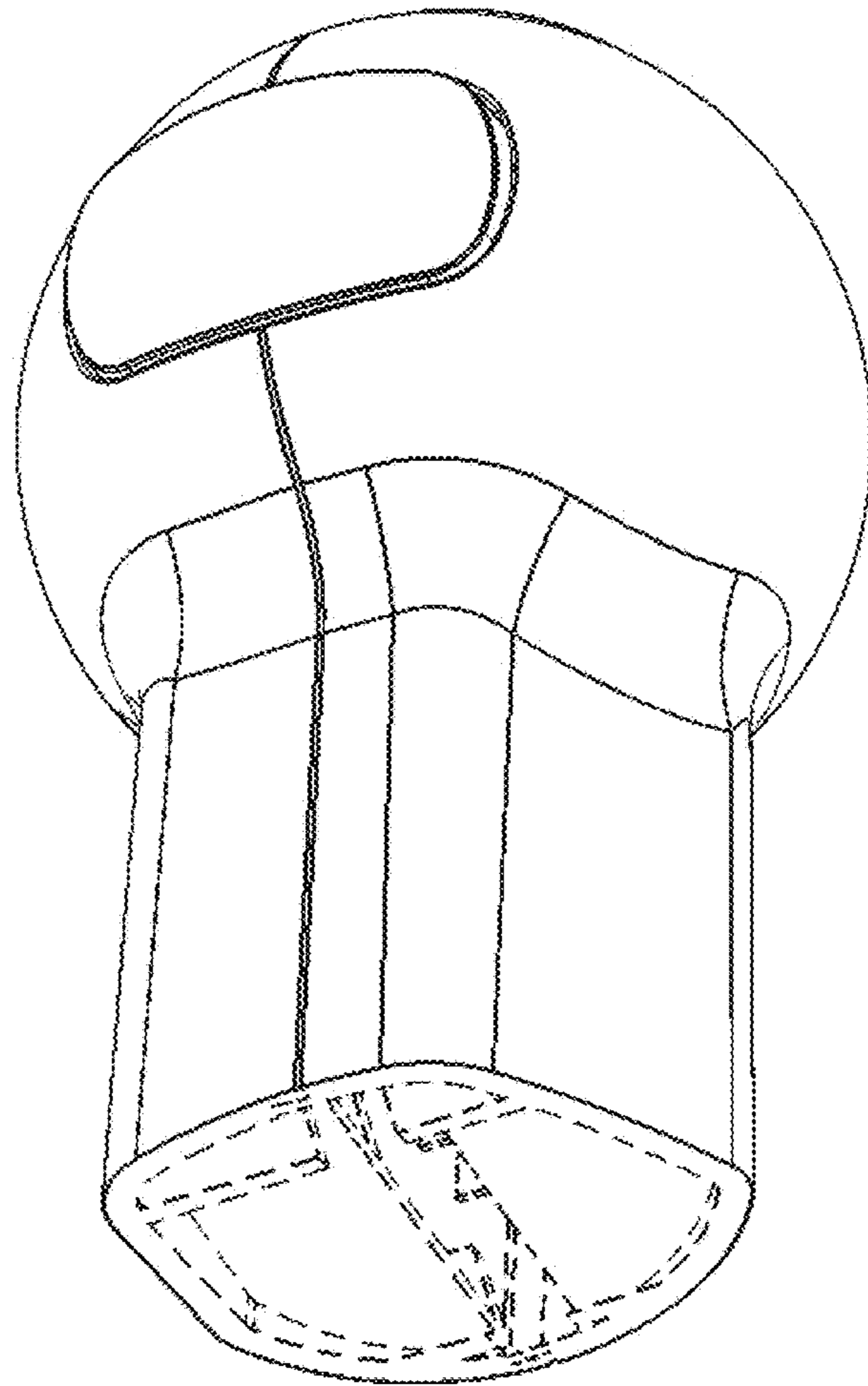


FIG. 10