



US00D843575S

(12) **United States Design Patent**  
**Hulford et al.**

(10) **Patent No.:** **US D843,575 S**  
(45) **Date of Patent:** **\*\* Mar. 19, 2019**

(54) **SURGICAL INSTRUMENT END PORTION**

(71) Applicant: **Intuitive Surgical Operations, Inc.**,  
Sunnyvale, CA (US)

(72) Inventors: **Timothy B. Hulford**, Burlingame, CA  
(US); **Robert B. Hubler**, Woodinville,  
WA (US); **Elie Eyrarn Ahovi**, San  
Francisco, CA (US)

(73) Assignee: **Intuitive Surgical Operations, Inc.**,  
Sunnyvale, CA (US)

(\*\*) Term: **15 Years**

(21) Appl. No.: **29/581,076**

(22) Filed: **Oct. 14, 2016**

(51) **LOC (11) Cl.** ..... **24-02**

(52) **U.S. Cl.**  
USPC ..... **D24/145**

(58) **Field of Classification Search**  
USPC ..... D24/127, 133, 144-145; 227/19  
CPC . A61B 17/115; A61B 17/068; A61B 17/0684;  
A61B 17/0686; A61B 2017/07214; A61B  
2017/07257  
See application file for complete search history.

(56) **References Cited**

**U.S. PATENT DOCUMENTS**

- 4,646,745 A \* 3/1987 Noiles ..... A61B 17/115  
227/178.1
- 4,665,917 A \* 5/1987 Clanton ..... A61B 17/115  
606/153
- 4,700,703 A \* 10/1987 Resnick ..... A61B 17/115  
227/155

- 4,752,024 A \* 6/1988 Green ..... A61B 17/115  
227/19
- D304,234 S \* 10/1989 Green ..... D24/145
- 5,158,222 A \* 10/1992 Green ..... A61B 17/115  
227/179.1
- D331,971 S \* 12/1992 Main ..... D24/145
- D345,795 S \* 4/1994 Green ..... D24/145
- 5,360,154 A \* 11/1994 Green ..... A61B 17/115  
227/179.1
- D433,753 S \* 11/2000 Weiss ..... D24/145
- D589,147 S \* 3/2009 Colleran ..... D24/145

\* cited by examiner

*Primary Examiner* — Wan Laymon

(74) *Attorney, Agent, or Firm* — Haynes and Boone LLP

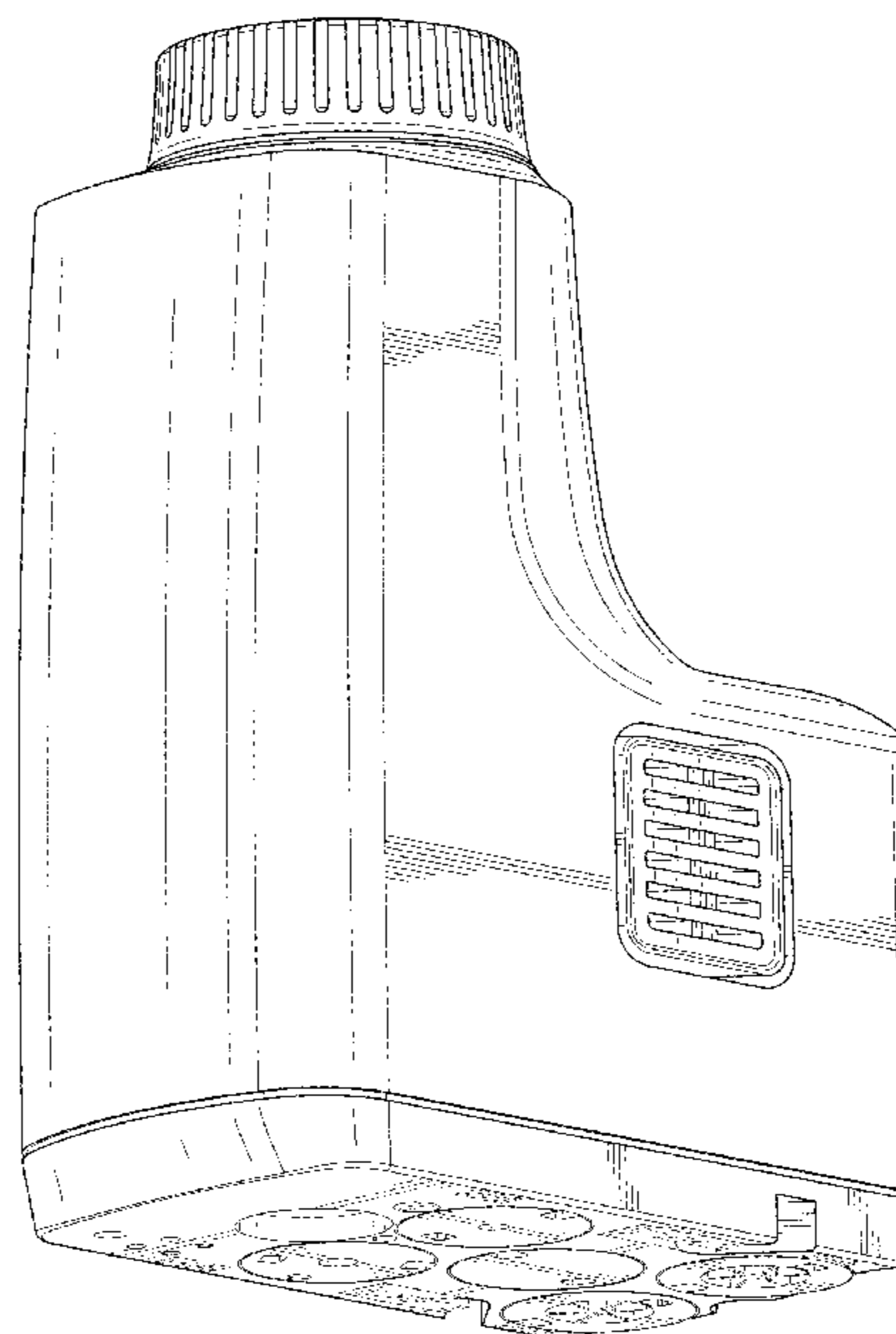
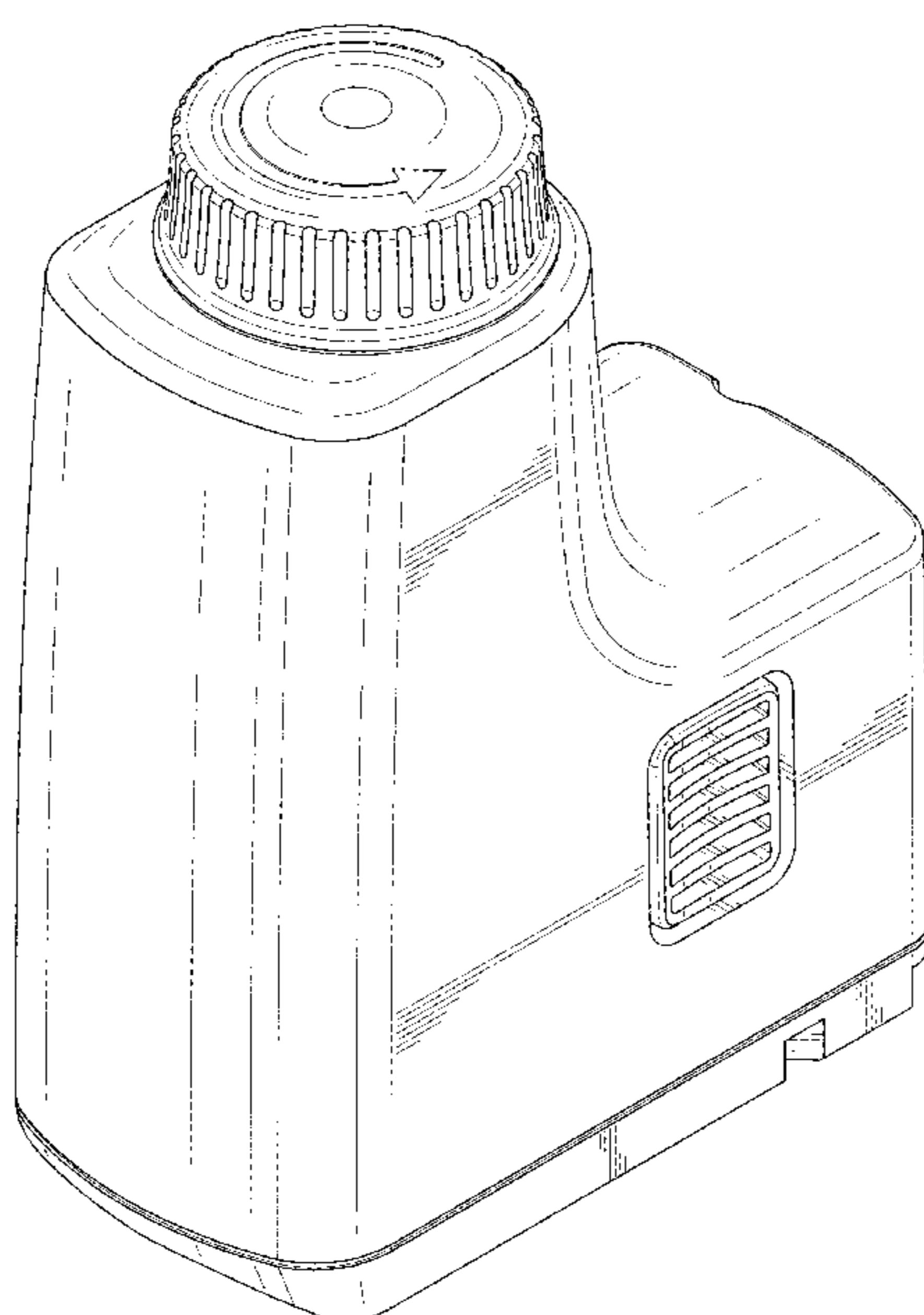
(57) **CLAIM**

The ornamental design for a surgical instrument end portion,  
as shown and described.

**DESCRIPTION**

FIG. 1 is a front perspective view of a surgical instrument  
end portion showing the new design;  
FIG. 2 is front elevation view thereof;  
FIG. 3 is a right elevation view thereof;  
FIG. 4 is a rear elevation view thereof;  
FIG. 5 is a left elevation view thereof;  
FIG. 6 is a bottom view thereof;  
FIG. 7 is a top view thereof; and,  
FIG. 8 is a right perspective view of thereof.  
The broken lines shown in FIGS. 6 and 8 illustrate portions  
of the surgical instrument end portion that form no part of  
the claimed design.

**1 Claim, 8 Drawing Sheets**



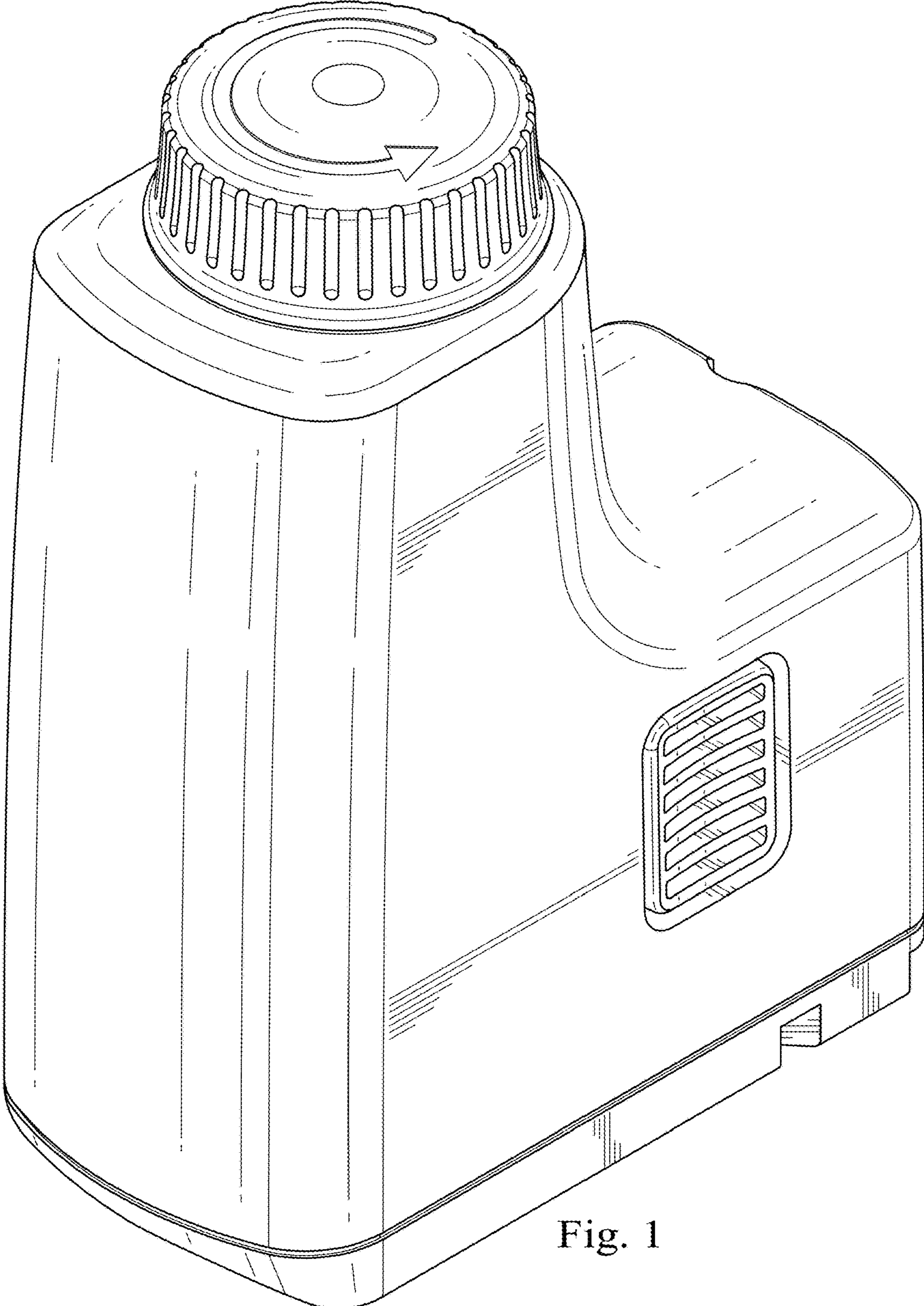


Fig. 1

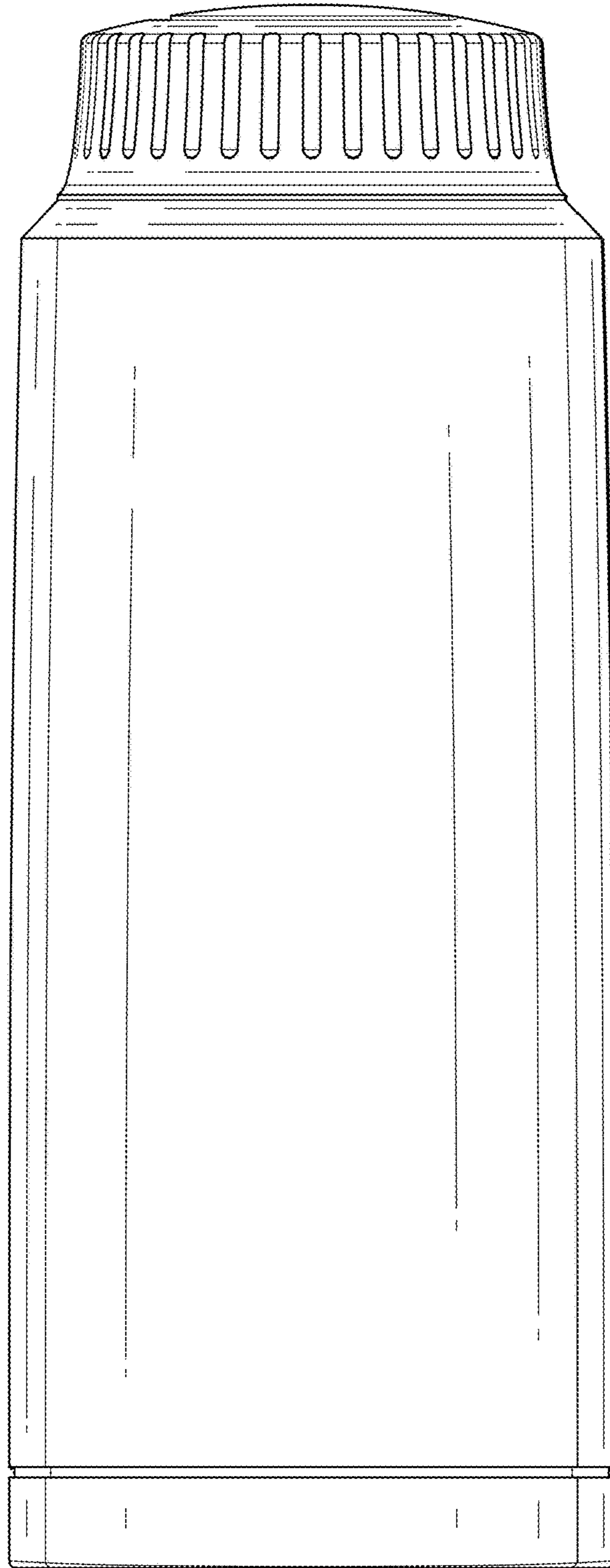


Fig. 2

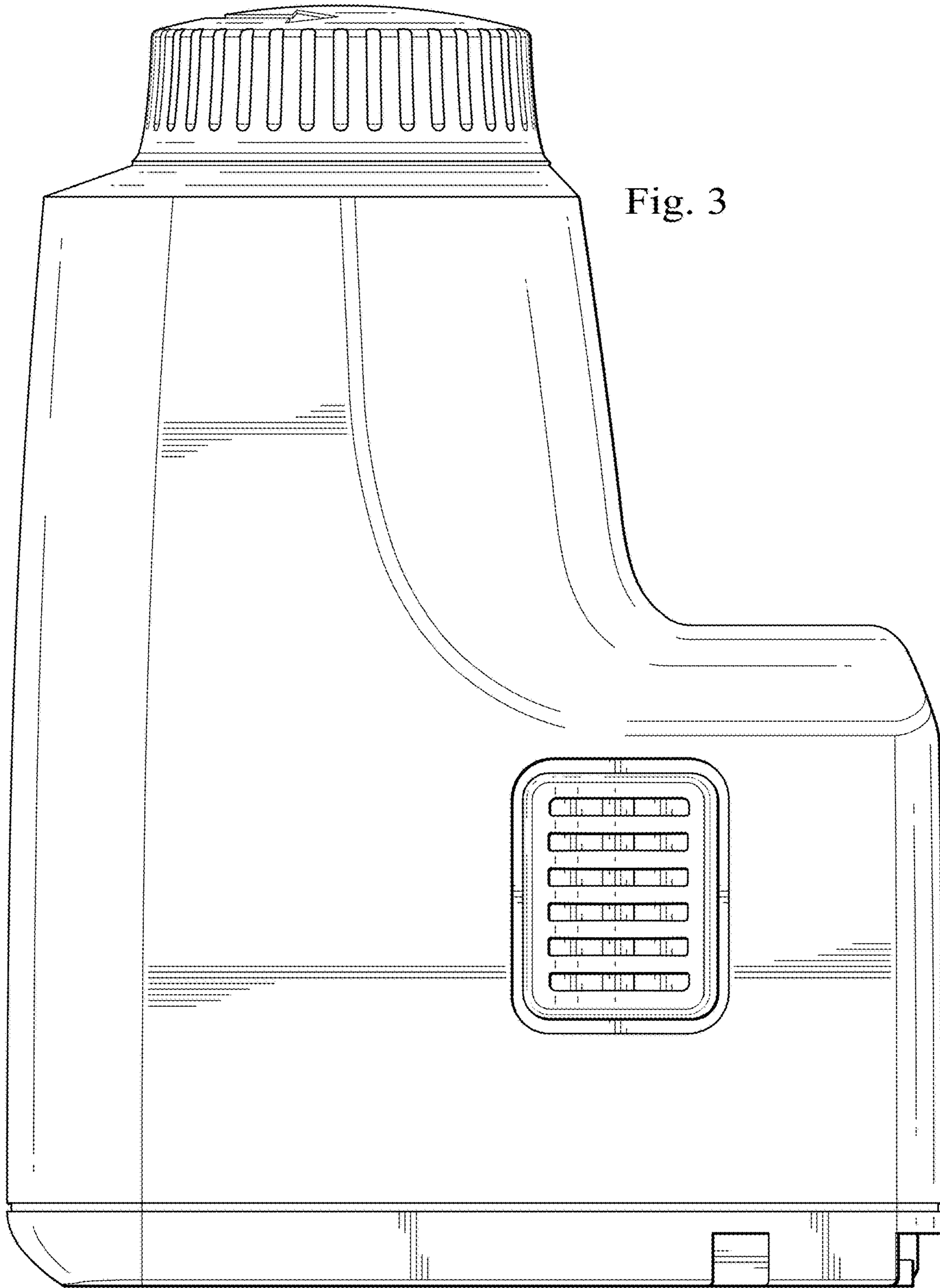


Fig. 3

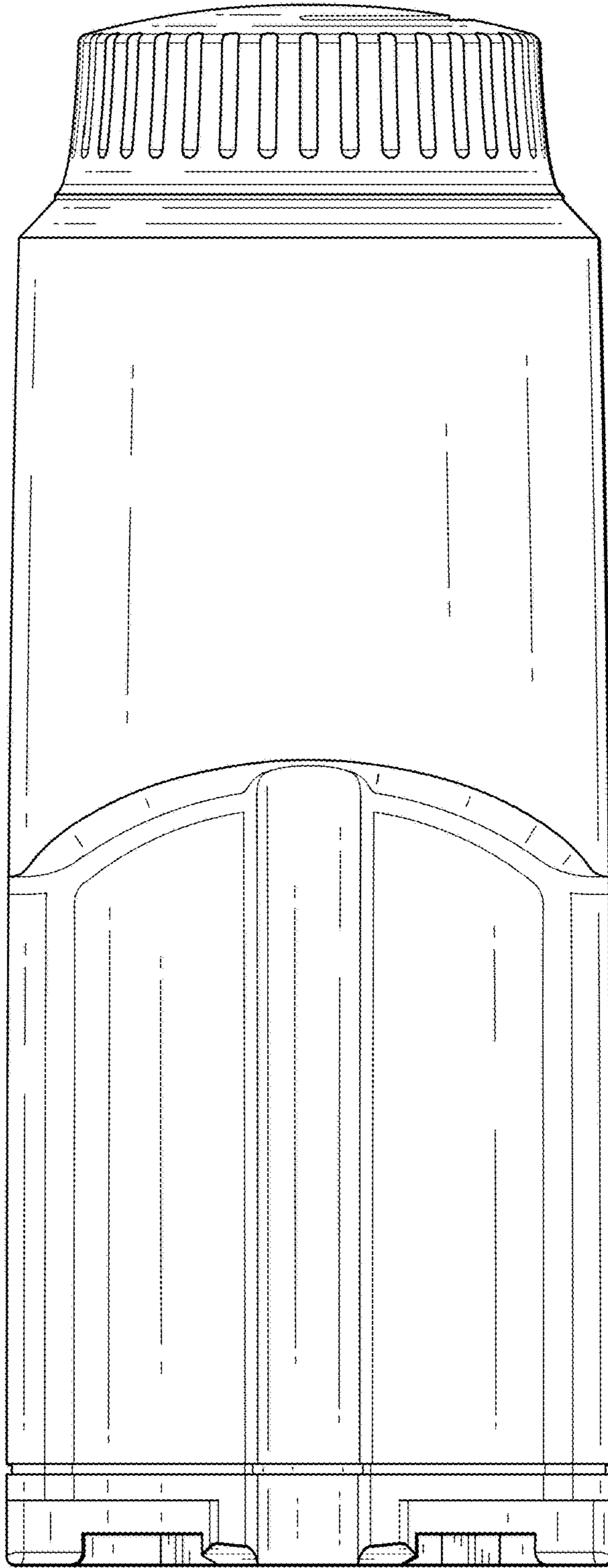
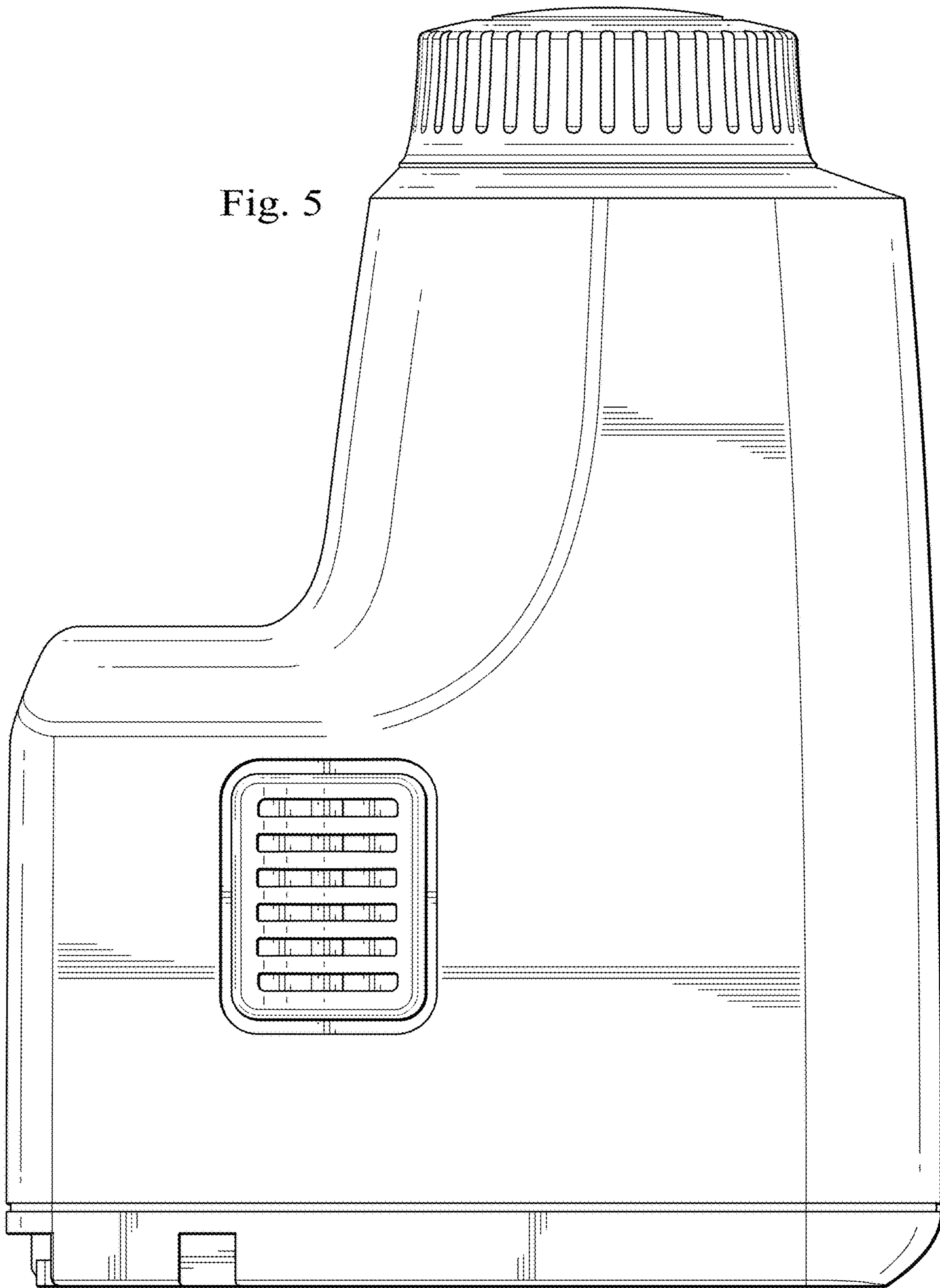


Fig. 4

Fig. 5



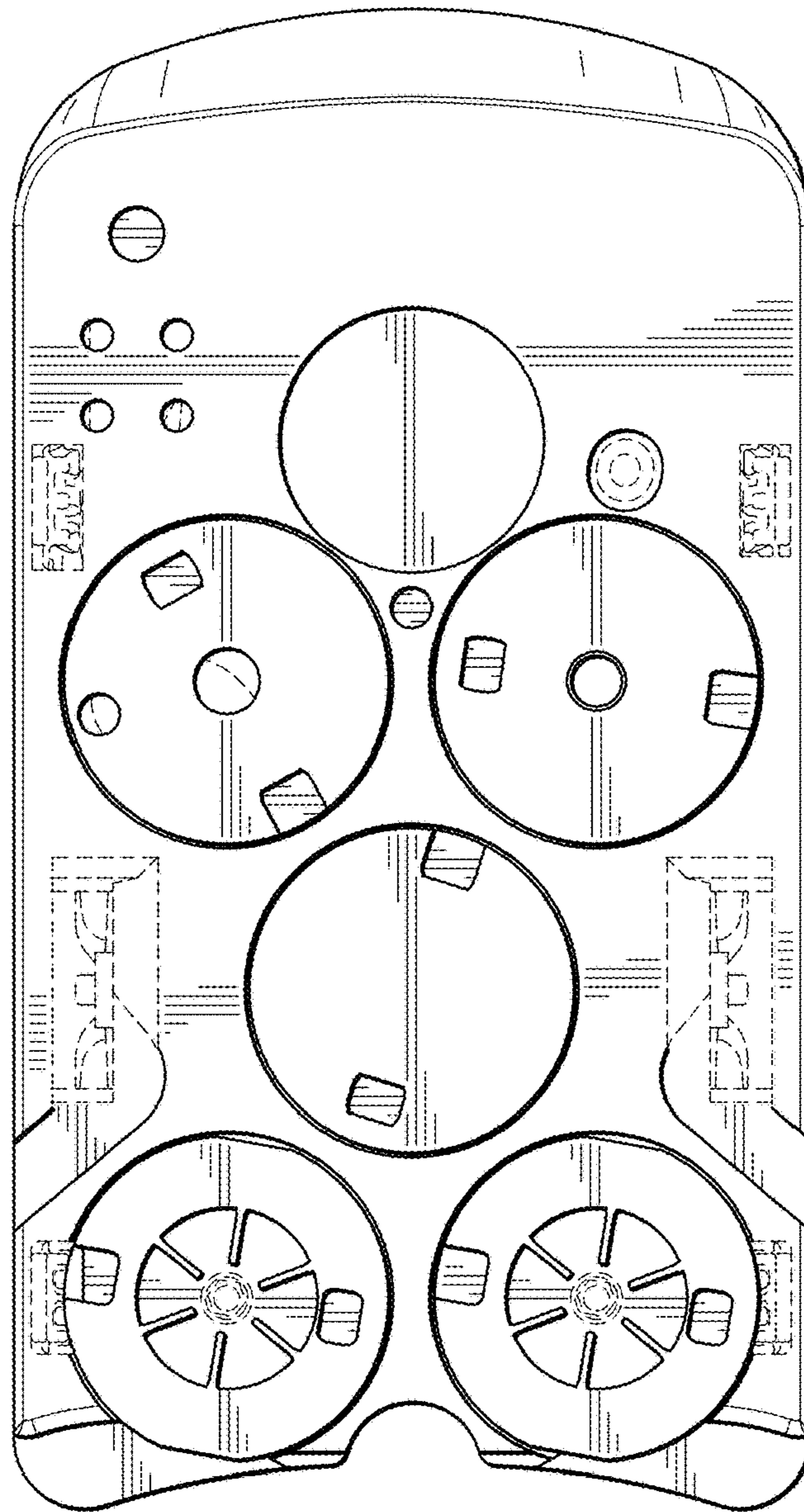


Fig. 6

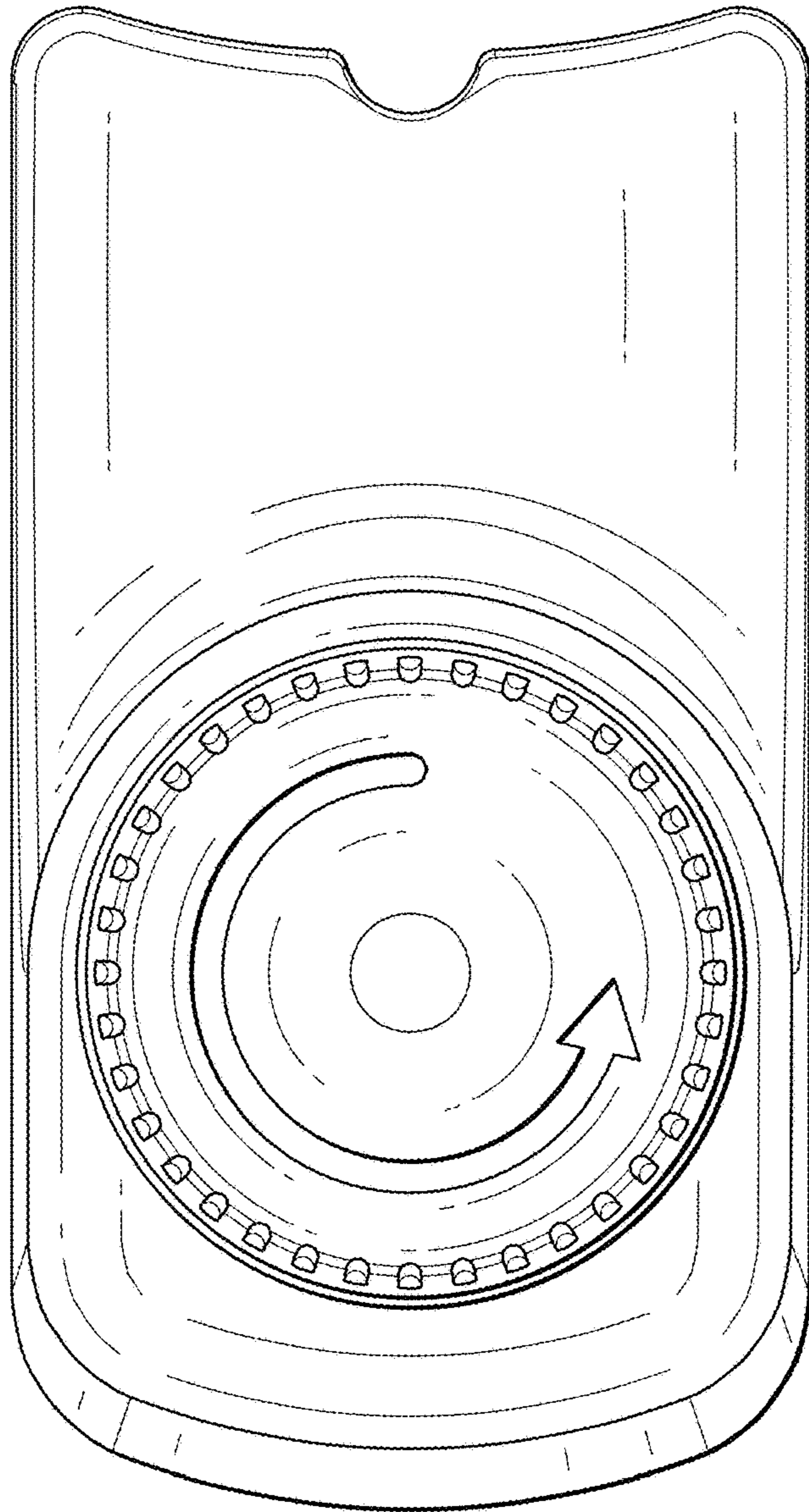


Fig. 7



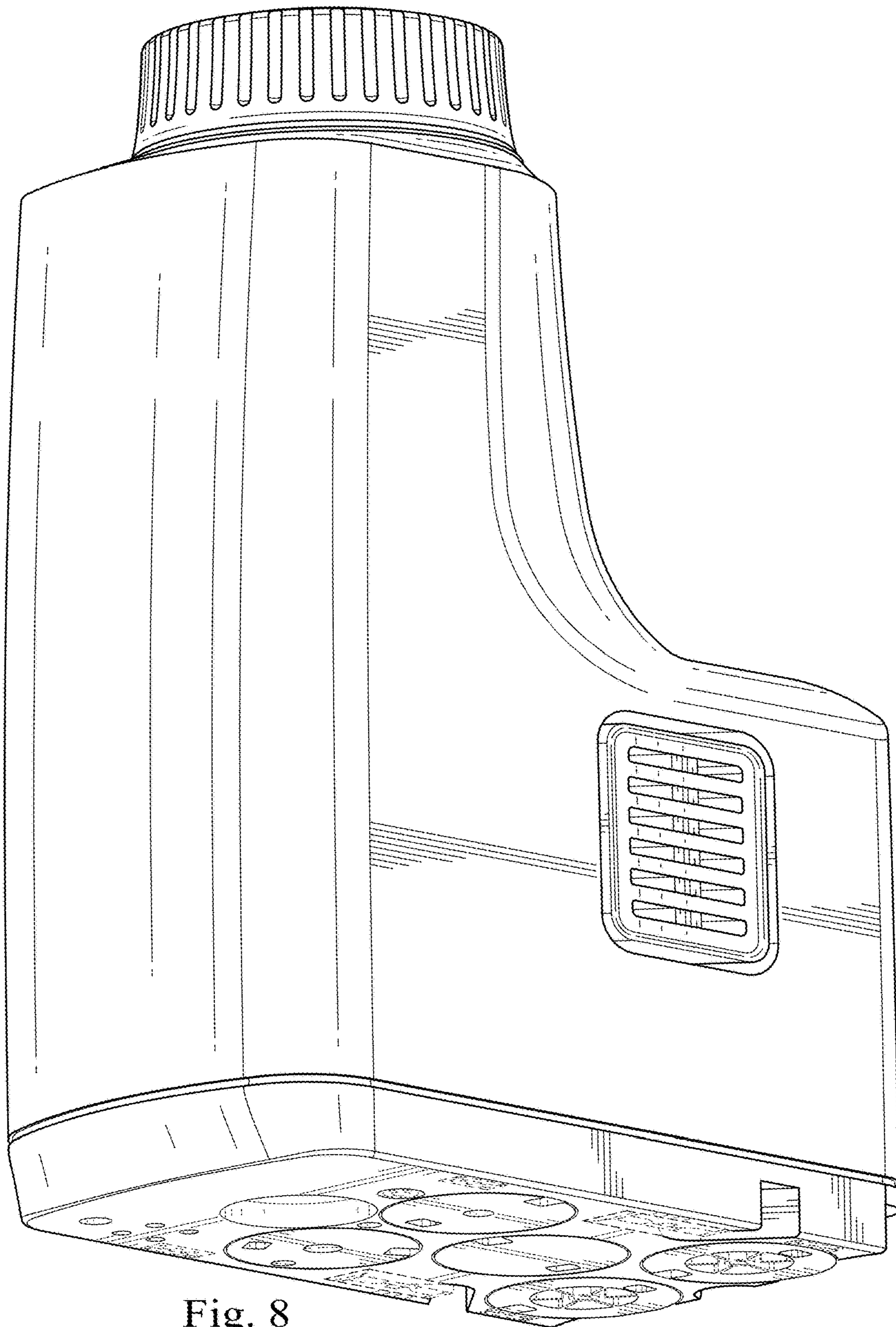


Fig. 8