

US00D843571S

(12) **United States Design Patent**
Yang

(10) **Patent No.:** **US D843,571 S**
(45) **Date of Patent:** **** Mar. 19, 2019**

- (54) **KEGEL BALL**
- (71) Applicant: **Feng Yang**, Dongguan (CN)
- (72) Inventor: **Feng Yang**, Dongguan (CN)
- (73) Assignee: **Feng Yang** (CN)
- (**) Term: **15 Years**
- (21) Appl. No.: **29/634,655**
- (22) Filed: **Jan. 24, 2018**
- (51) **LOC (11) Cl.** **24-02**
- (52) **U.S. Cl.**
USPC **D24/141**
- (58) **Field of Classification Search**
USPC D24/140-141, 133, 147, 214-215
CPC A63B 23/00; A63B 23/20; A63B 21/0004;
A63B 21/06
See application file for complete search history.

- 6,723,031 B1 * 4/2004 Wild A63B 23/20
128/842
- 7,001,317 B2 * 2/2006 Marcotte A63B 23/20
128/833
- D706,442 S * 6/2014 Hahr D24/215
- D712,029 S * 8/2014 Tai D24/141
- D760,898 S * 7/2016 Xie D24/141

* cited by examiner

Primary Examiner — Wan Laymon
(74) *Attorney, Agent, or Firm* — PROI Intellectual
Property US

(57) **CLAIM**

The ornamental design for a kegel ball, as shown and described.

DESCRIPTION

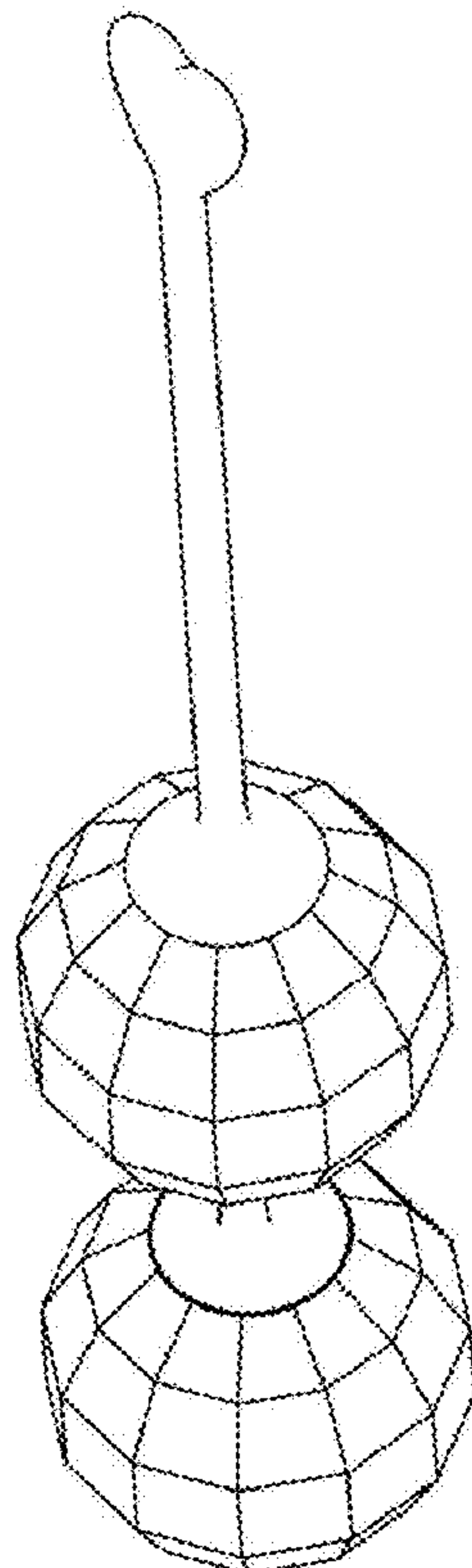
FIG. 1 is a perspective front View of a kegel ball;
FIG. 2 is a front View thereof;
FIG. 3 is a rear View thereof;
FIG. 4 is a top View thereof;
FIG. 5 is a bottom View thereof;
FIG. 6 is a left-side View thereof; and,
FIG. 7 is a right-side View thereof.

(56) **References Cited**

U.S. PATENT DOCUMENTS

- D398,402 S * 9/1998 Kirk D24/214
- 6,562,018 B1 * 5/2003 Russell A63B 23/20
604/105

1 Claim, 7 Drawing Sheets



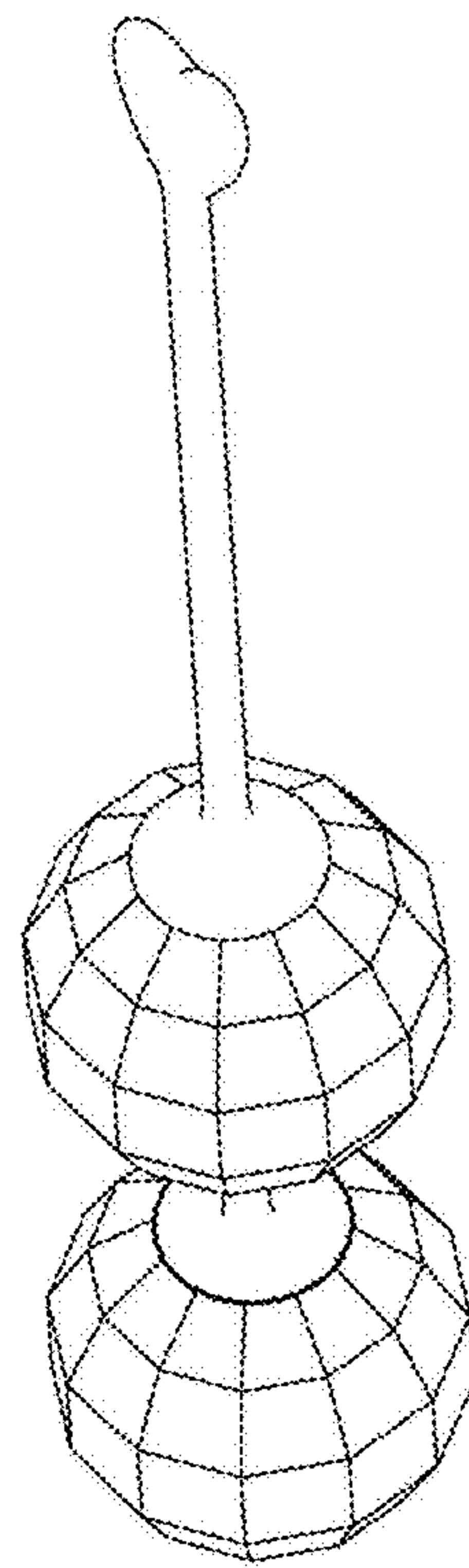


Fig. 1

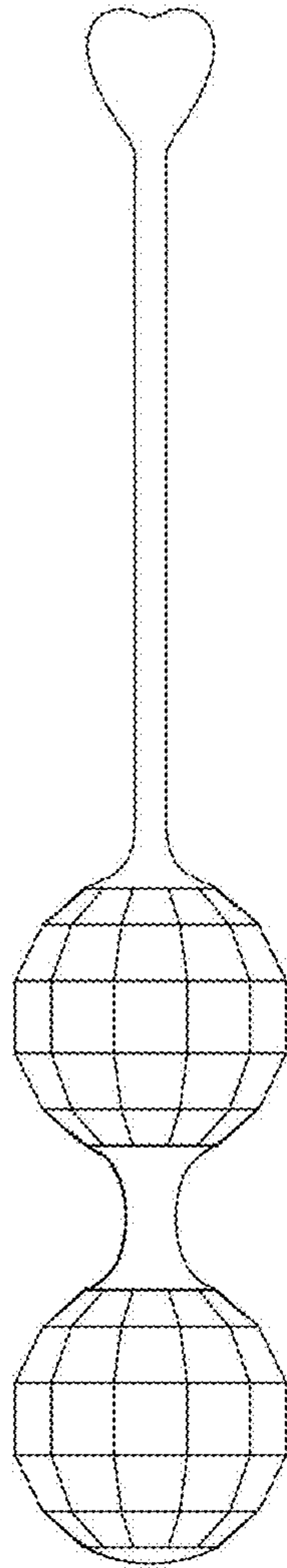


Fig. 2

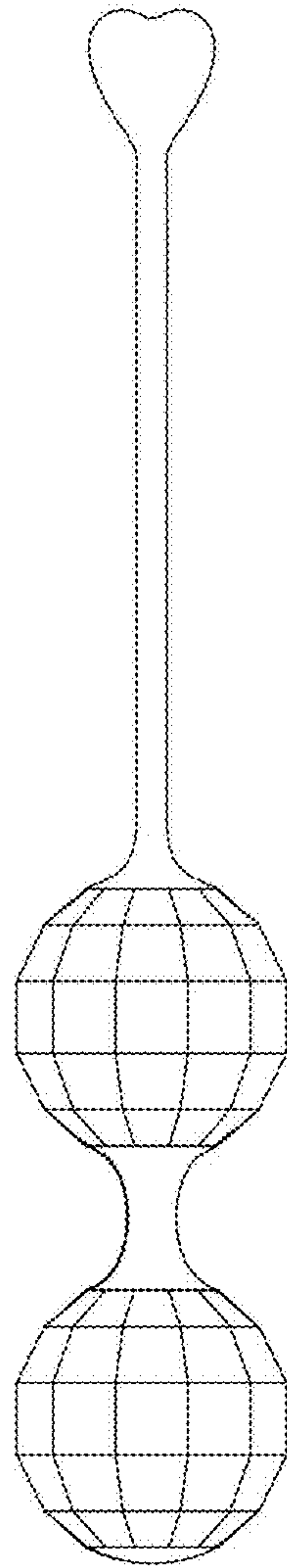


Fig. 3

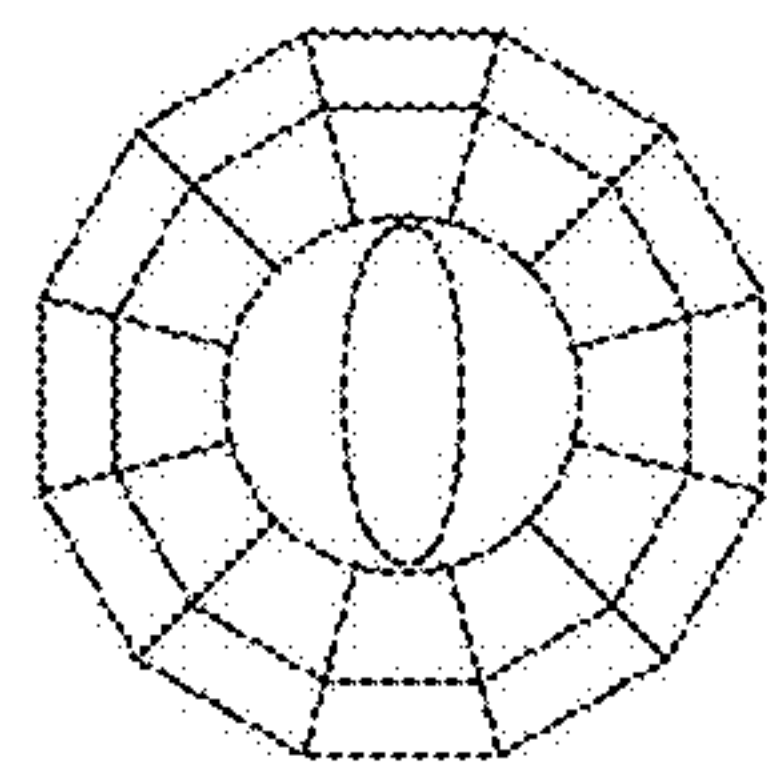


Fig. 4

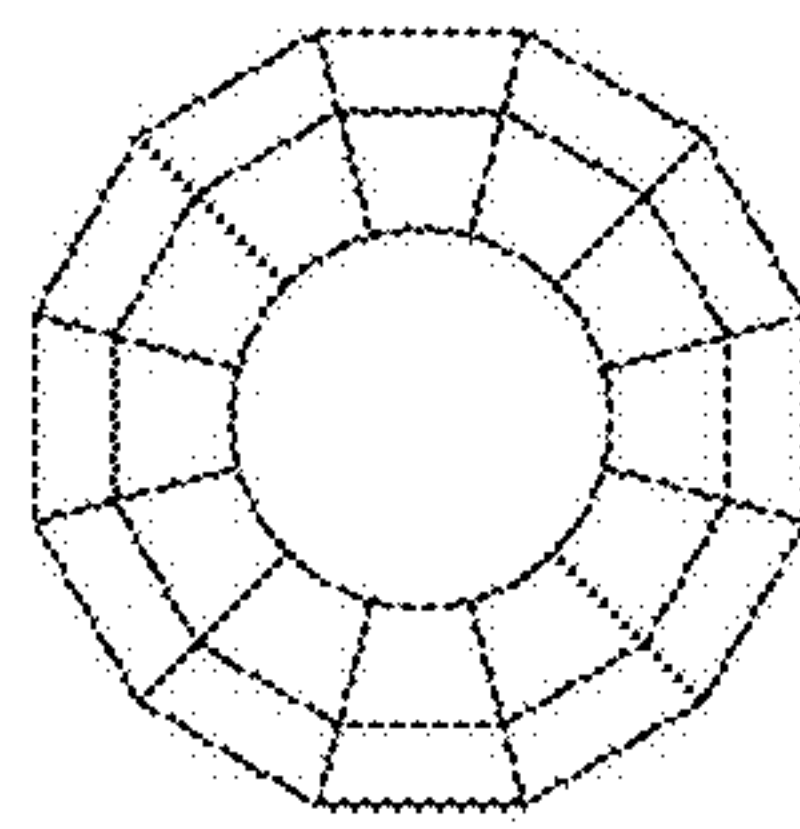


Fig. 5

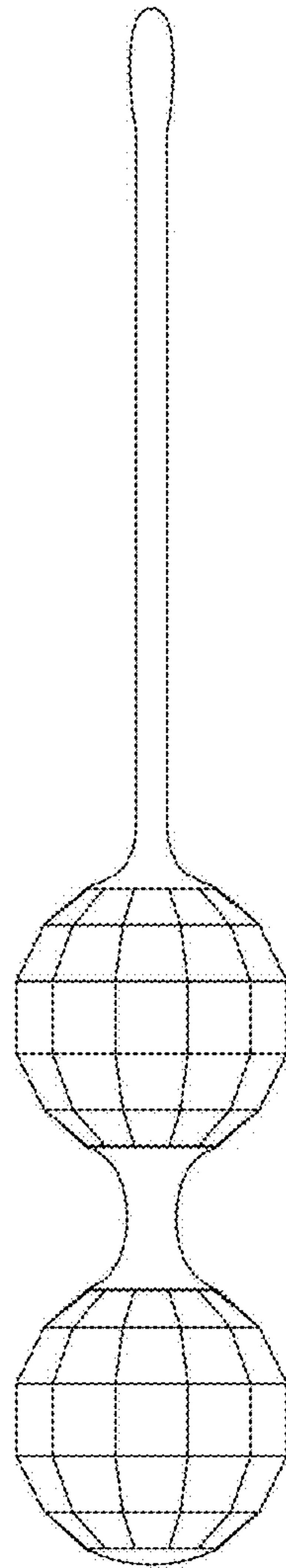


Fig. 6

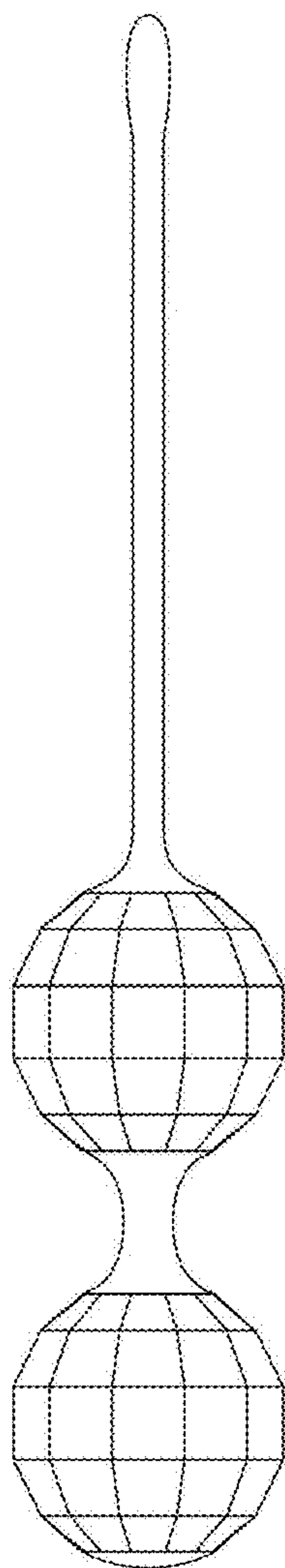


Fig. 7