



US00D843568S

(12) **United States Design Patent** (10) **Patent No.:** **US D843,568 S**  
**Amano et al.** (45) **Date of Patent:** **\*\* Mar. 19, 2019**

(54) **HANDLE BODY FOR SURGICAL DEVICE**

**DESCRIPTION**

(71) Applicant: **OLYMPUS CORPORATION**,  
Hachioji-shi, Tokyo (JP)  
(72) Inventors: **Hirotooshi Amano**, Tokyo (JP);  
**Tomoyuki Kaga**, Tokyo (JP)  
(73) Assignee: **OLYMPUS CORPORATION**, Tokyo  
(JP)  
(\*\*) Term: **15 Years**  
(21) Appl. No.: **29/616,777**  
(22) Filed: **Sep. 8, 2017**  
(51) **LOC (11) Cl.** ..... **24-02**  
(52) **U.S. Cl.**  
USPC ..... **D24/133**  
(58) **Field of Classification Search**  
USPC ..... D24/133, 141, 147, 137, 138; D8/303,  
D8/313

(Continued)

(56) **References Cited**

**U.S. PATENT DOCUMENTS**

D109,355 S \* 4/1938 Temple ..... D24/110  
D351,227 S \* 10/1994 Patton ..... D24/112

(Continued)

**FOREIGN PATENT DOCUMENTS**

CN 304763935 \* 8/2018  
JP D1602520 \* 4/2018  
JP D1612852 \* 9/2018

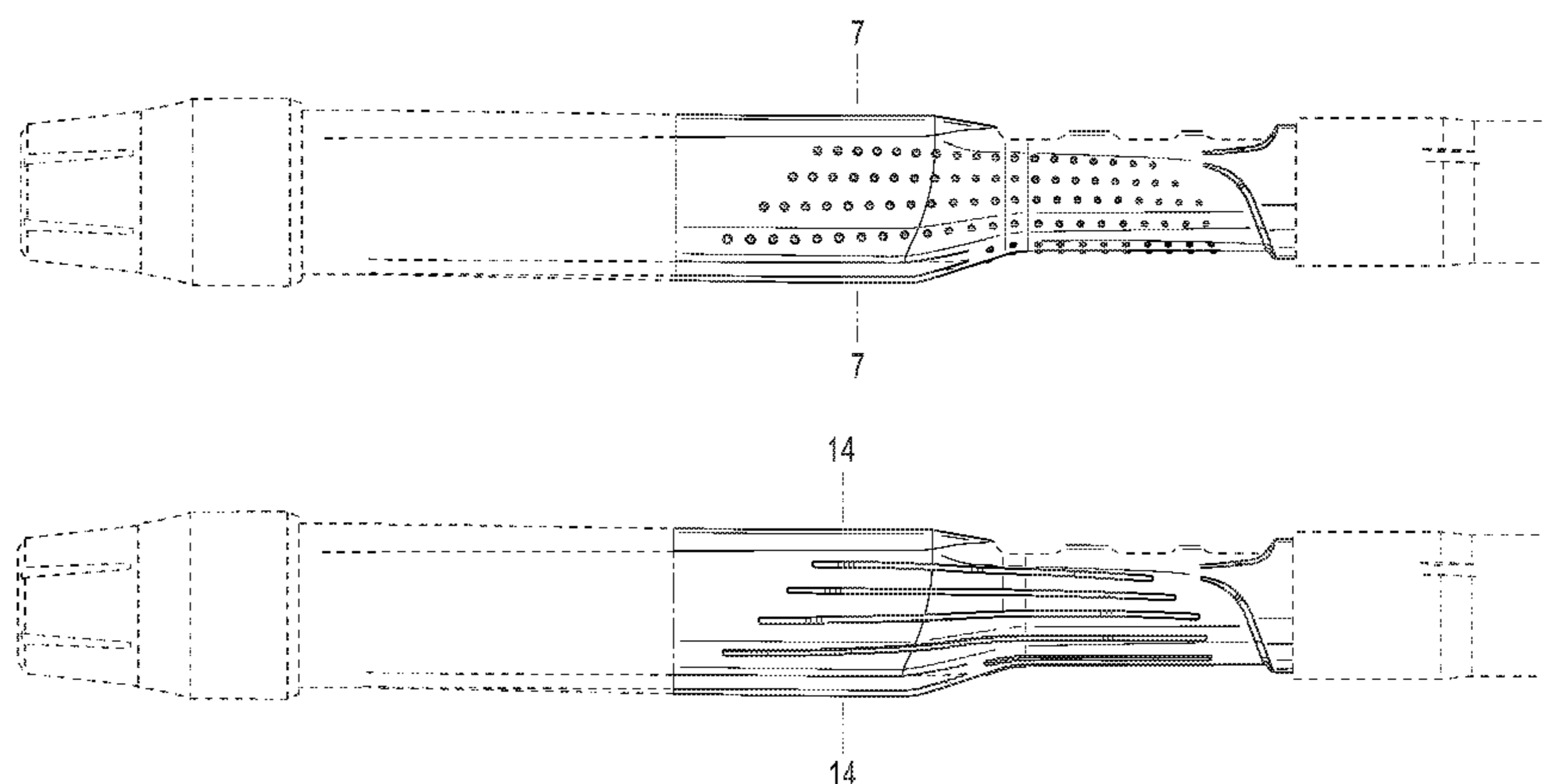
*Primary Examiner* — Bridget L Eland  
*Assistant Examiner* — Lauren D McVey  
(74) *Attorney, Agent, or Firm* — Oliff PLC

(57) **CLAIM**

The ornamental design for a handle body for surgical device,  
as shown and described.

FIG. 1 is a rear, top, right side perspective view of a first embodiment of a handle body for surgical device, showing our new design;  
FIG. 2 is a front view thereof, the rear view being a mirror image thereof;  
FIG. 3 is a top view thereof;  
FIG. 4 is a bottom view thereof;  
FIG. 5 is a left side view thereof;  
FIG. 6 is a right side view thereof;  
FIG. 7 is an enlarged cross section view thereof, taken along the line 7-7 in FIG. 2;  
FIG. 8 is a rear, top, right side perspective view of a second embodiment of a handle body for surgical device, showing our new design;  
FIG. 9 is a front view thereof, the rear view being a mirror image thereof;  
FIG. 10 is a top view thereof;  
FIG. 11 is a bottom view thereof;  
FIG. 12 is a left side view thereof;  
FIG. 13 is a right side view thereof;  
FIG. 14 is an enlarged cross section view thereof, taken along the line 14-14 in FIG. 9;  
FIG. 15 is a rear, top, right side perspective view of a third embodiment of a handle body for surgical device, showing our new design;  
FIG. 16 is a front view thereof, the rear view being a mirror image thereof;  
FIG. 17 is a top view thereof;  
FIG. 18 is a bottom view thereof;  
FIG. 19 is a left side view thereof;  
FIG. 20 is a right side view thereof; and,  
FIG. 21 is an enlarged cross section view thereof, taken along the line 21-21 in FIG. 16.  
The evenly spaced broken lines and dot-dash broken lines immediately adjacent the shaded areas represent the bounds of the claimed design while all other broken lines are directed to environment and are for illustrative purposes only; the broken lines form no part of the claimed design. The dot-dot-dash lines in the cross-section FIGS. 2, 9, and 16 views are used to identify the cross-section views and are for reference purposes only.

**1 Claim, 12 Drawing Sheets**



(58) **Field of Classification Search**

CPC ..... A61F 2002/9517; A61F 2002/9522; A61F  
 2002/9528; A61F 2002/9534; A61F  
 2002/9665; A61B 1/267; A61B 1/2673;  
 A61B 1/2676; A61B 1/00; A61B  
 1/00052; A61B 1/00066; A61B 5/0077;  
 A61B 19/5223; A61B 19/5225; A61B  
 1/04; A61B 8/5215; G02B 23/24

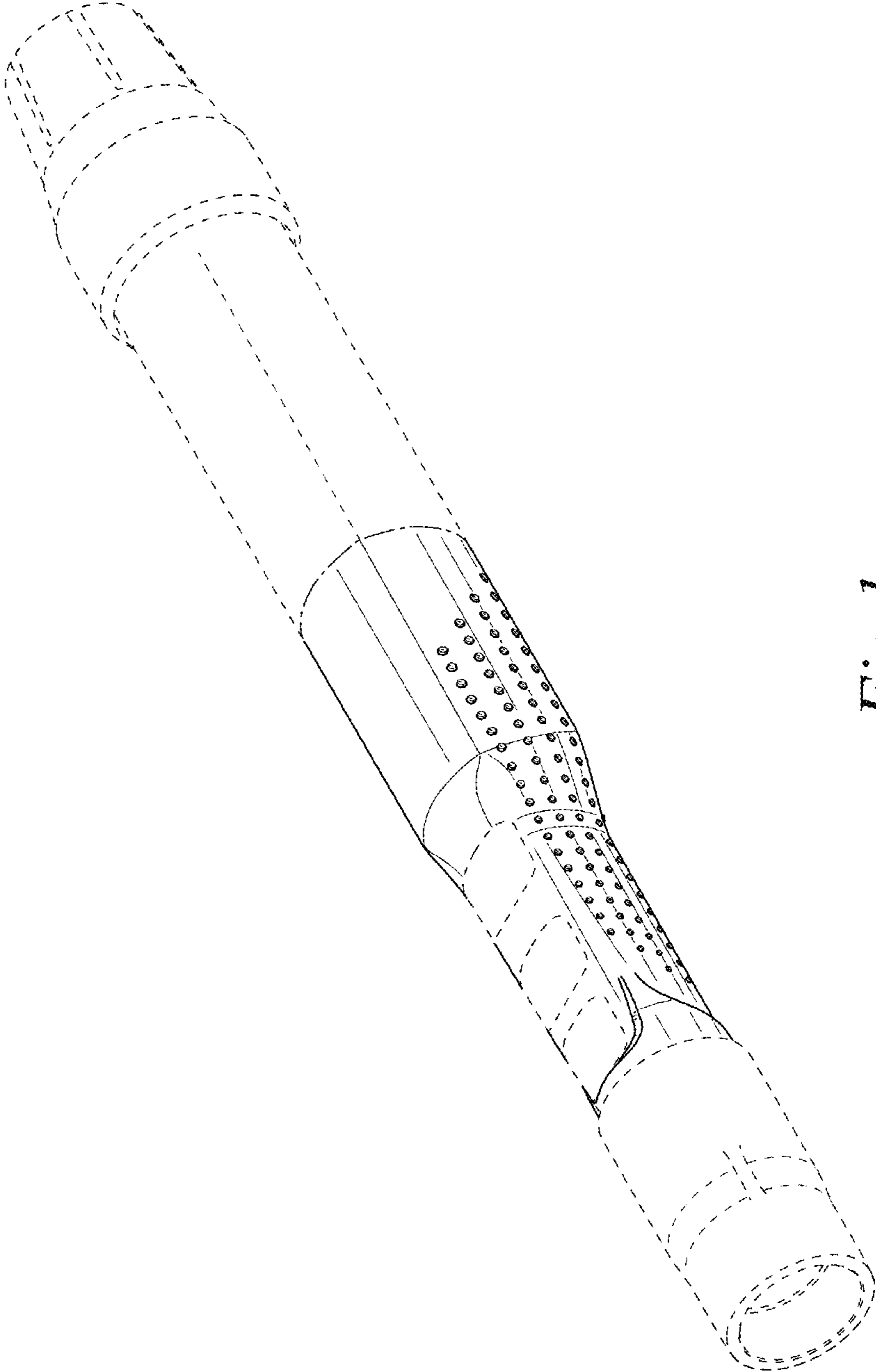
See application file for complete search history.

(56) **References Cited**

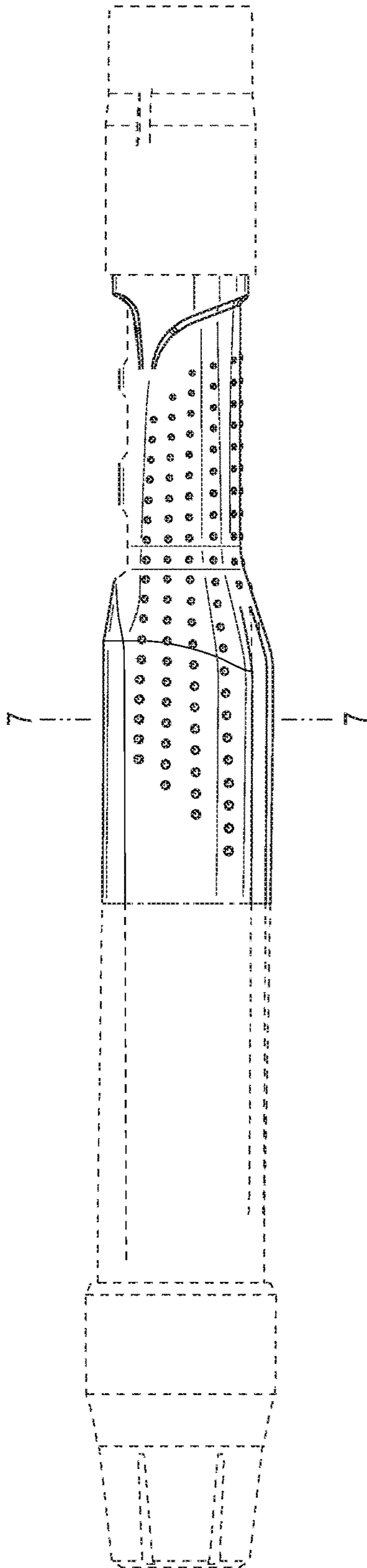
U.S. PATENT DOCUMENTS

D433,904 S \* 11/2000 Heinrichs ..... D8/61  
 D496,731 S \* 9/2004 Park ..... D24/133  
 D518,175 S \* 3/2006 Hardin, Jr. .... D24/133  
 D558,015 S \* 12/2007 Aglassinger ..... D8/61  
 D576,853 S \* 9/2008 Aglassinger ..... D8/61  
 D594,309 S \* 6/2009 Sugiura ..... D8/99  
 D648,851 S \* 11/2011 Copeland ..... D24/112  
 D663,026 S \* 7/2012 McGrail ..... D24/137  
 D677,790 S \* 3/2013 Little ..... A61M 37/0076  
 D24/133  
 D720,594 S \* 1/2015 Henderson ..... D8/107  
 D723,349 S \* 3/2015 Henderson ..... D8/107  
 D747,477 S \* 1/2016 Freigang ..... D24/133  
 D751,199 S \* 3/2016 Allen ..... D24/146  
 D752,882 S \* 4/2016 Chang ..... D4/138  
 D787,055 S \* 5/2017 Ingman ..... D24/133  
 D787,294 S \* 5/2017 Bast ..... D8/107  
 D790,059 S \* 6/2017 Osada ..... D24/138  
 D795,424 S \* 8/2017 Sloss ..... D24/138  
 2004/0010233 A1 \* 1/2004 Hjertman ..... A61M 5/3129  
 604/187  
 2017/0259422 A1 \* 9/2017 Takeyama ..... B25F 5/029

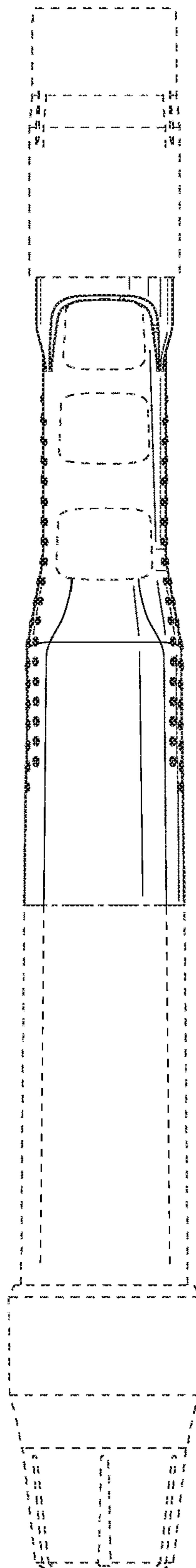
\* cited by examiner



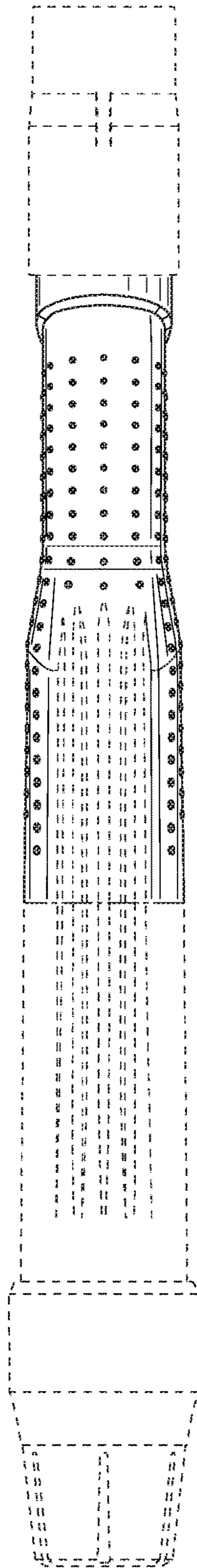
*Fig. 1*



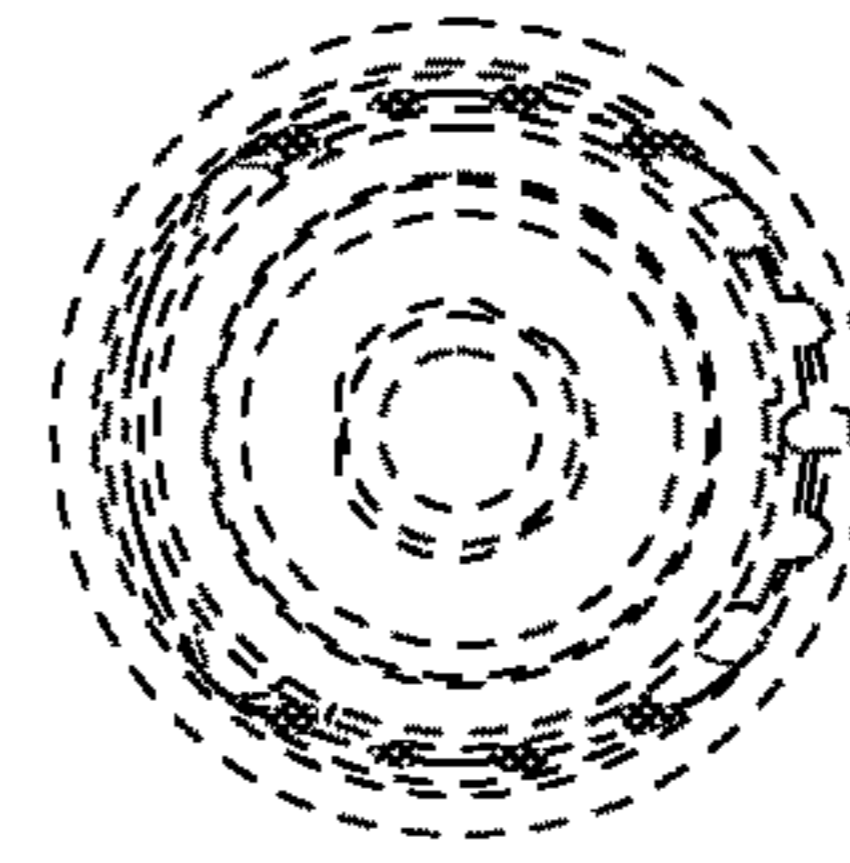
*Fig. 2*



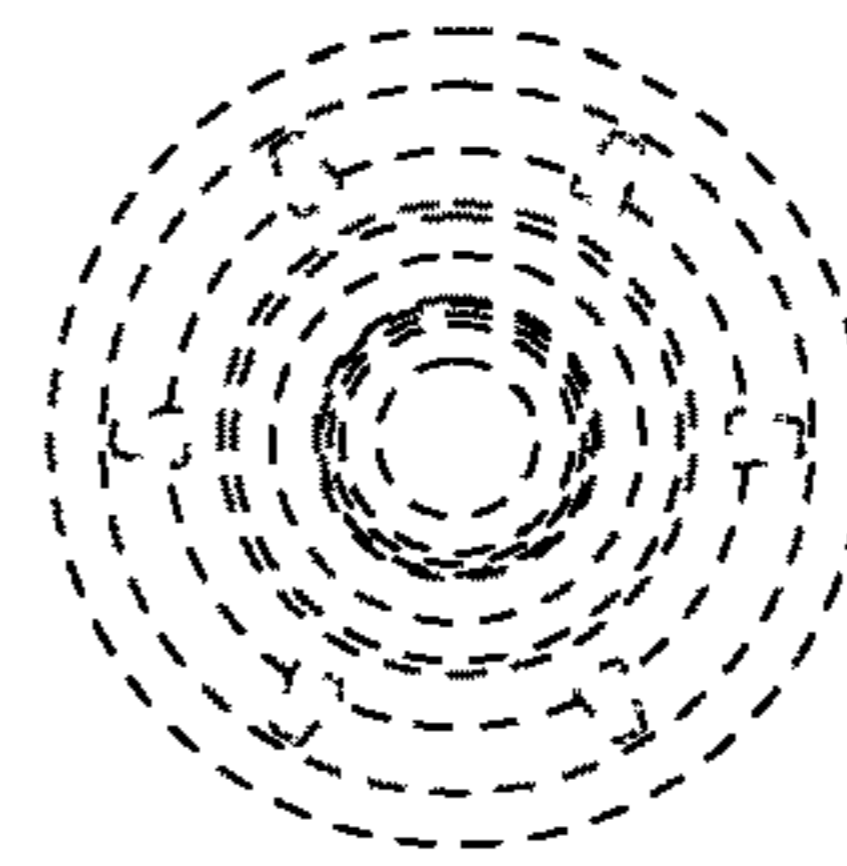
*Fig. 3*



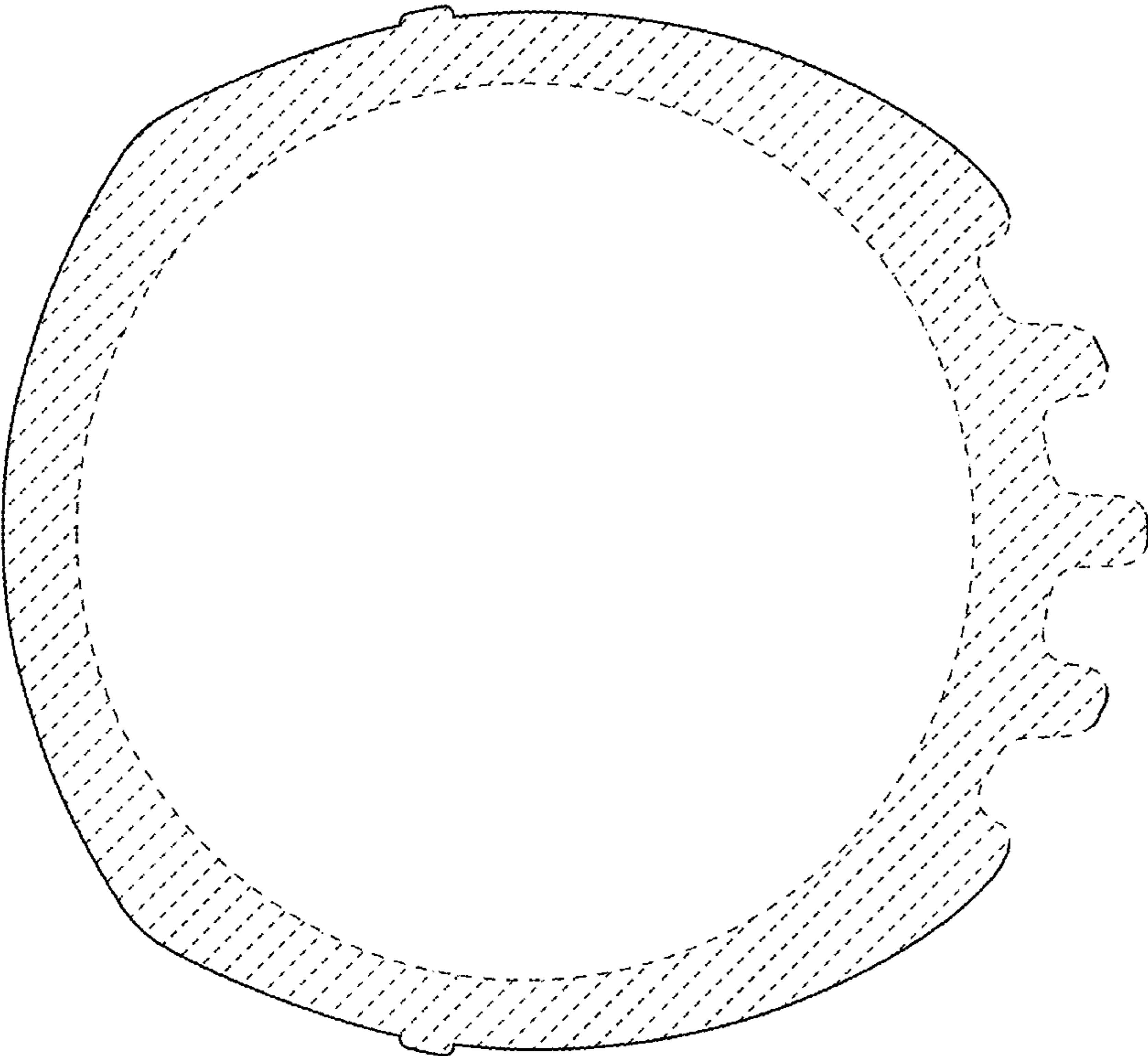
*Fig. 4*



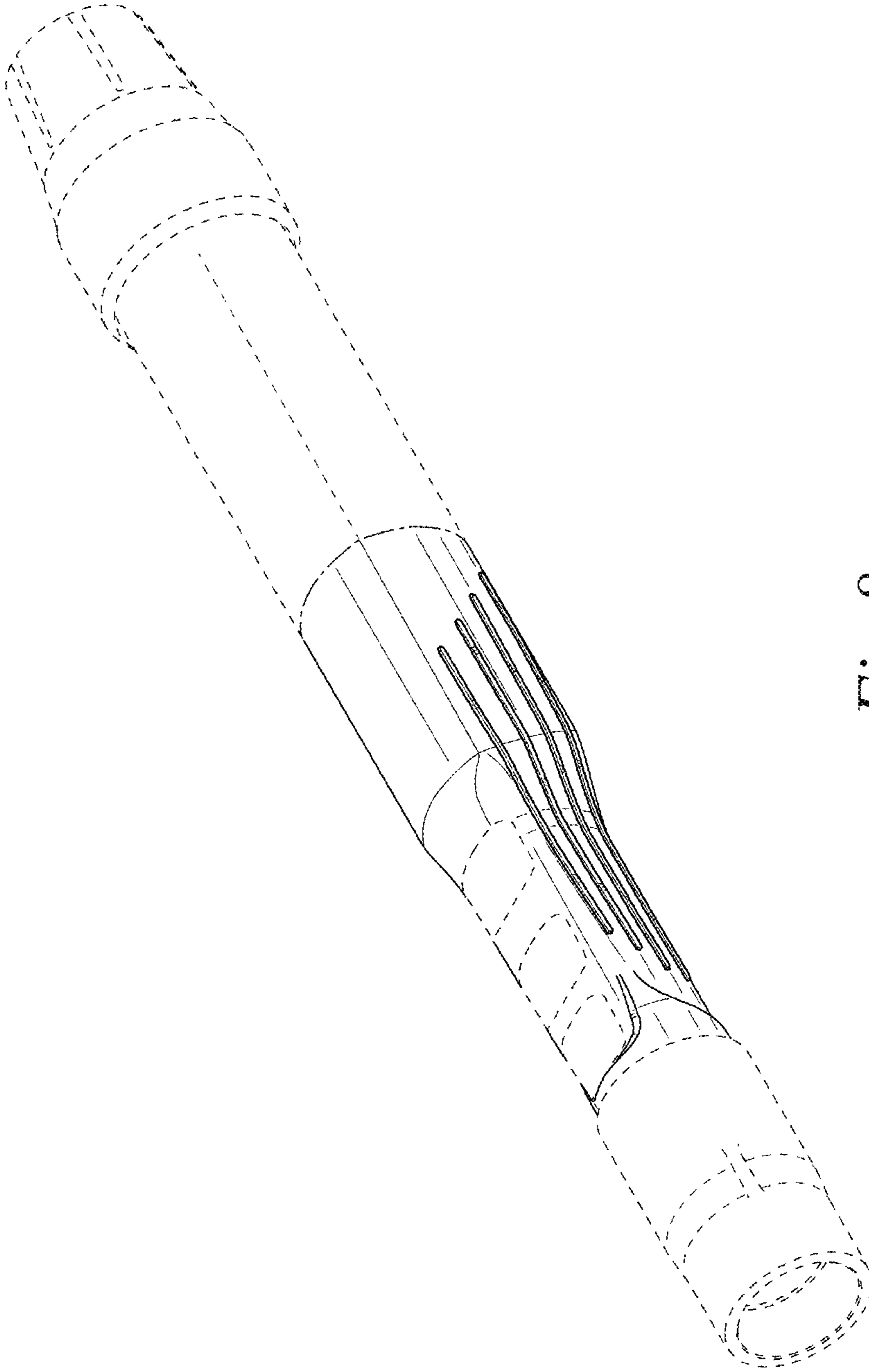
*Fig. 6*



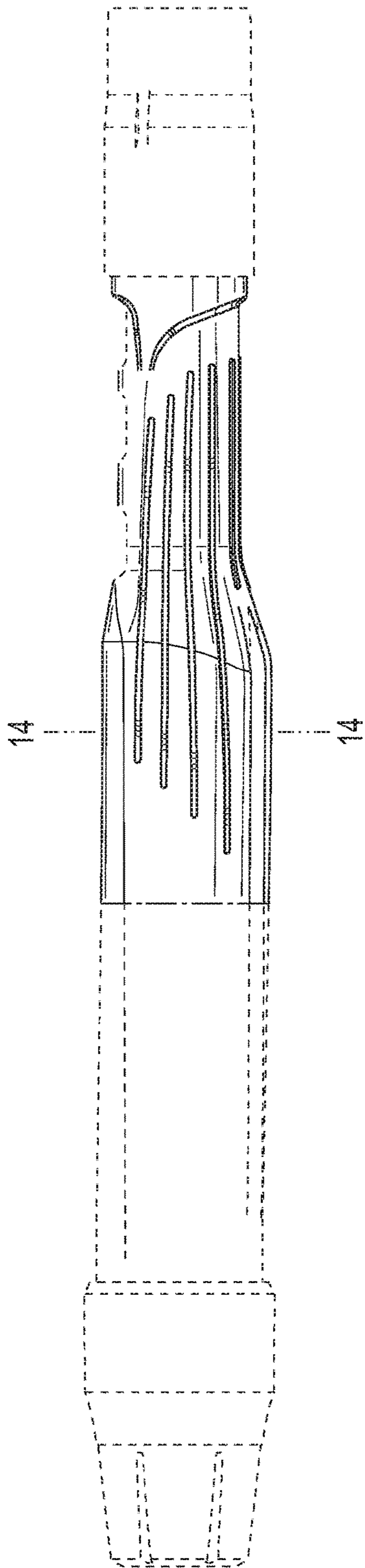
*Fig. 5*



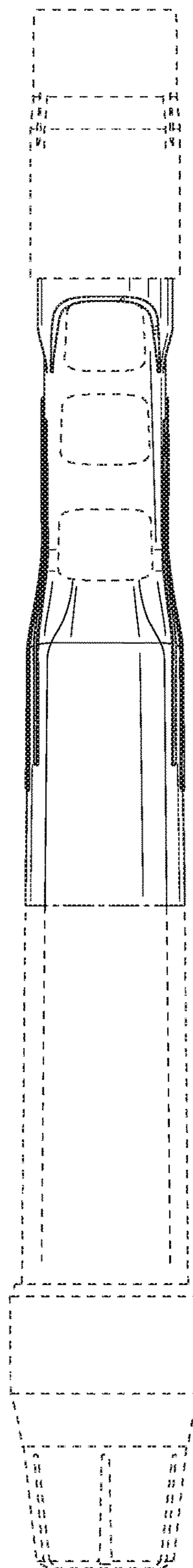
*Fig. 7*



*Fig. 8*

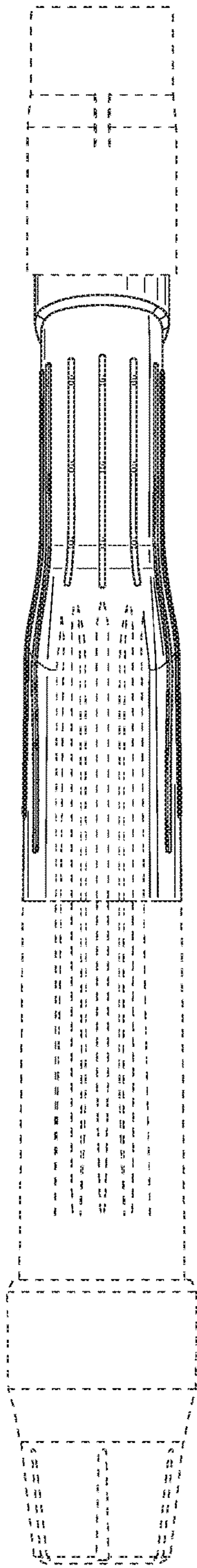


*Fig. 9*

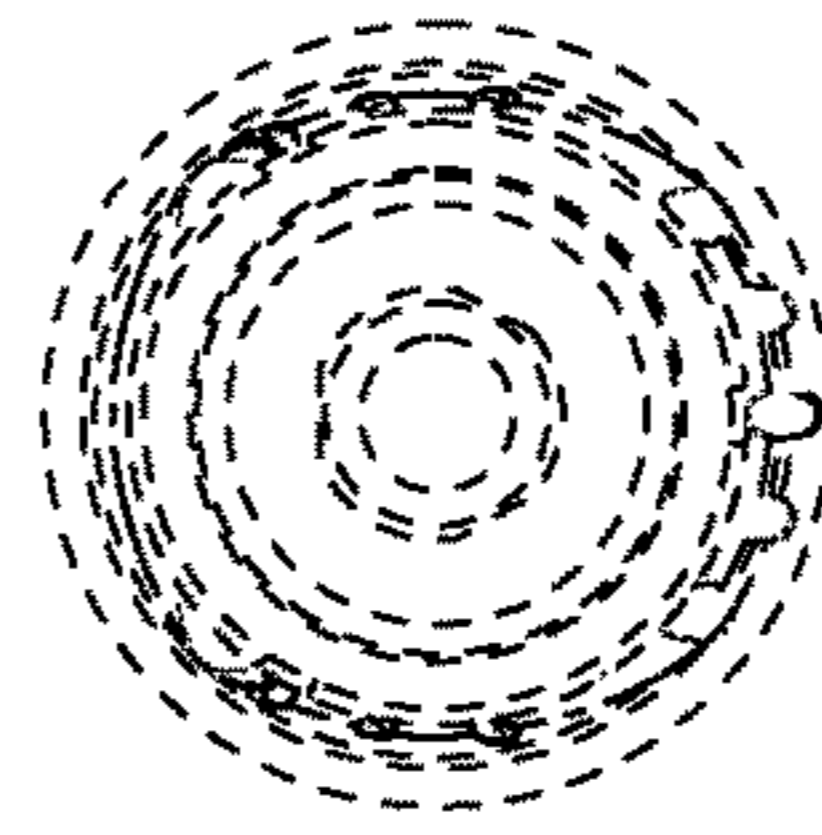


*Fig. 10*

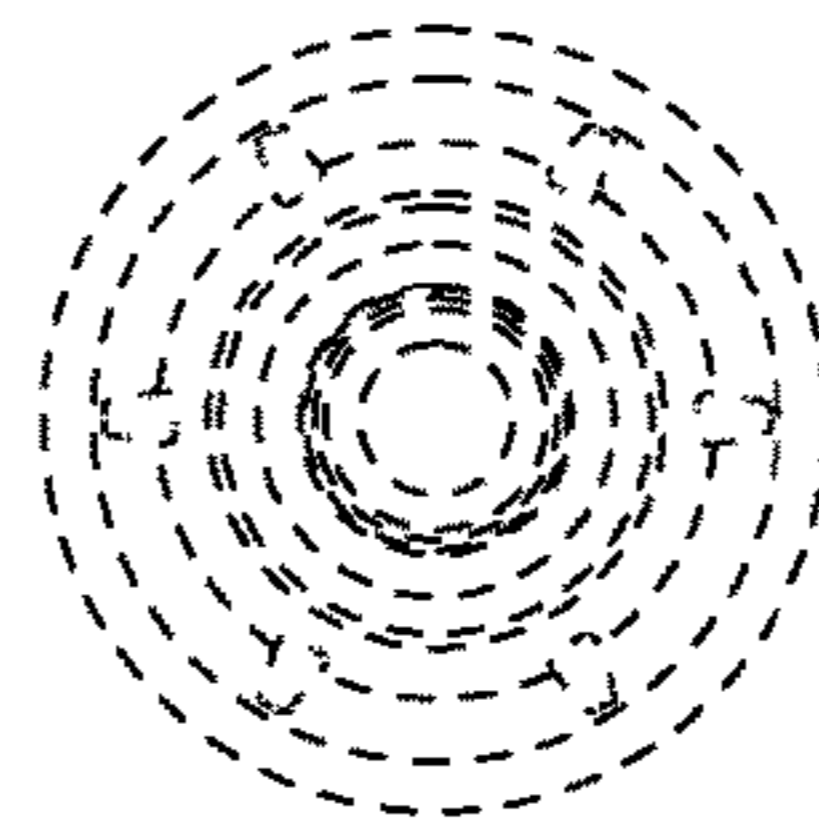




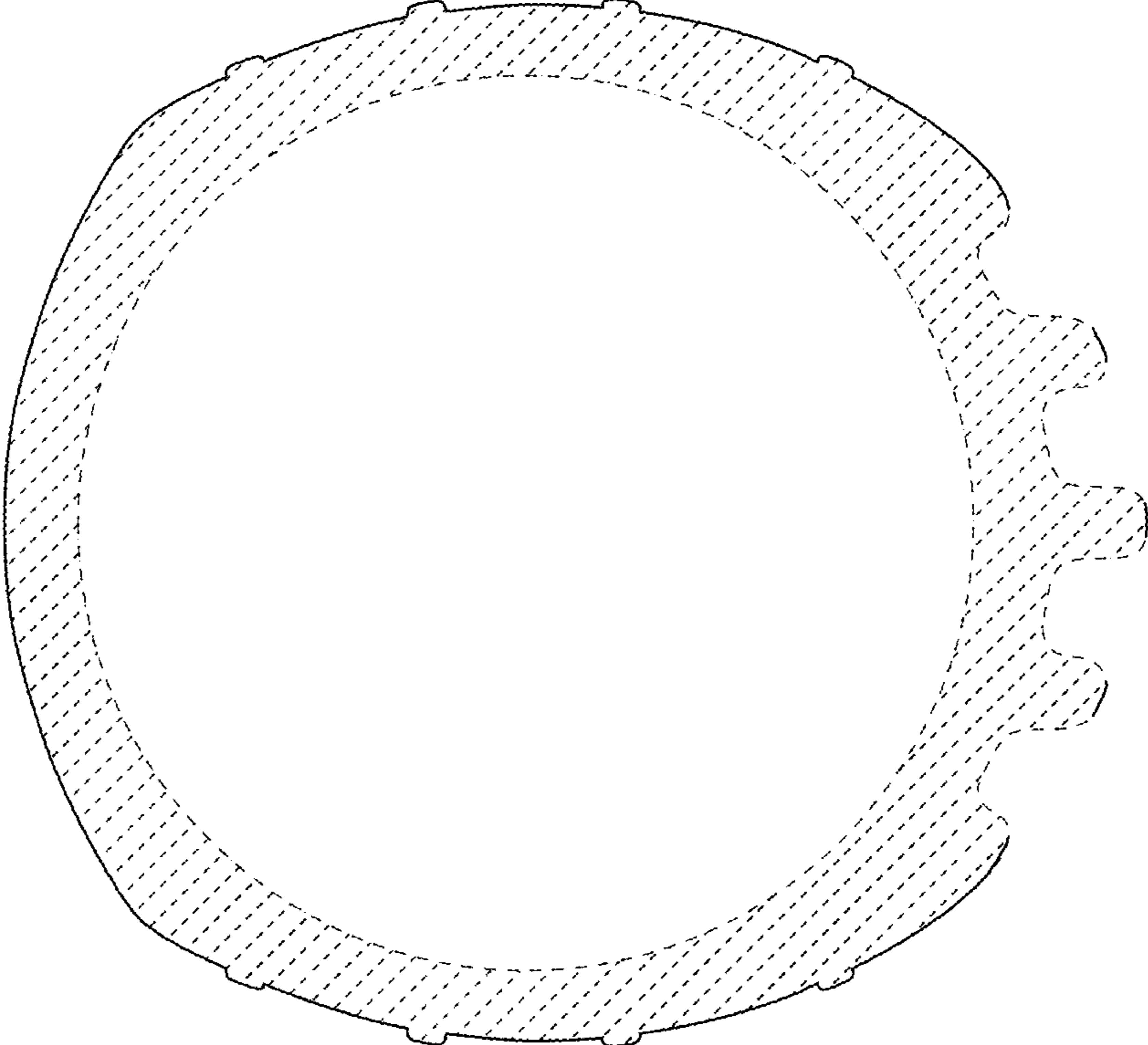
*Fig. 11*



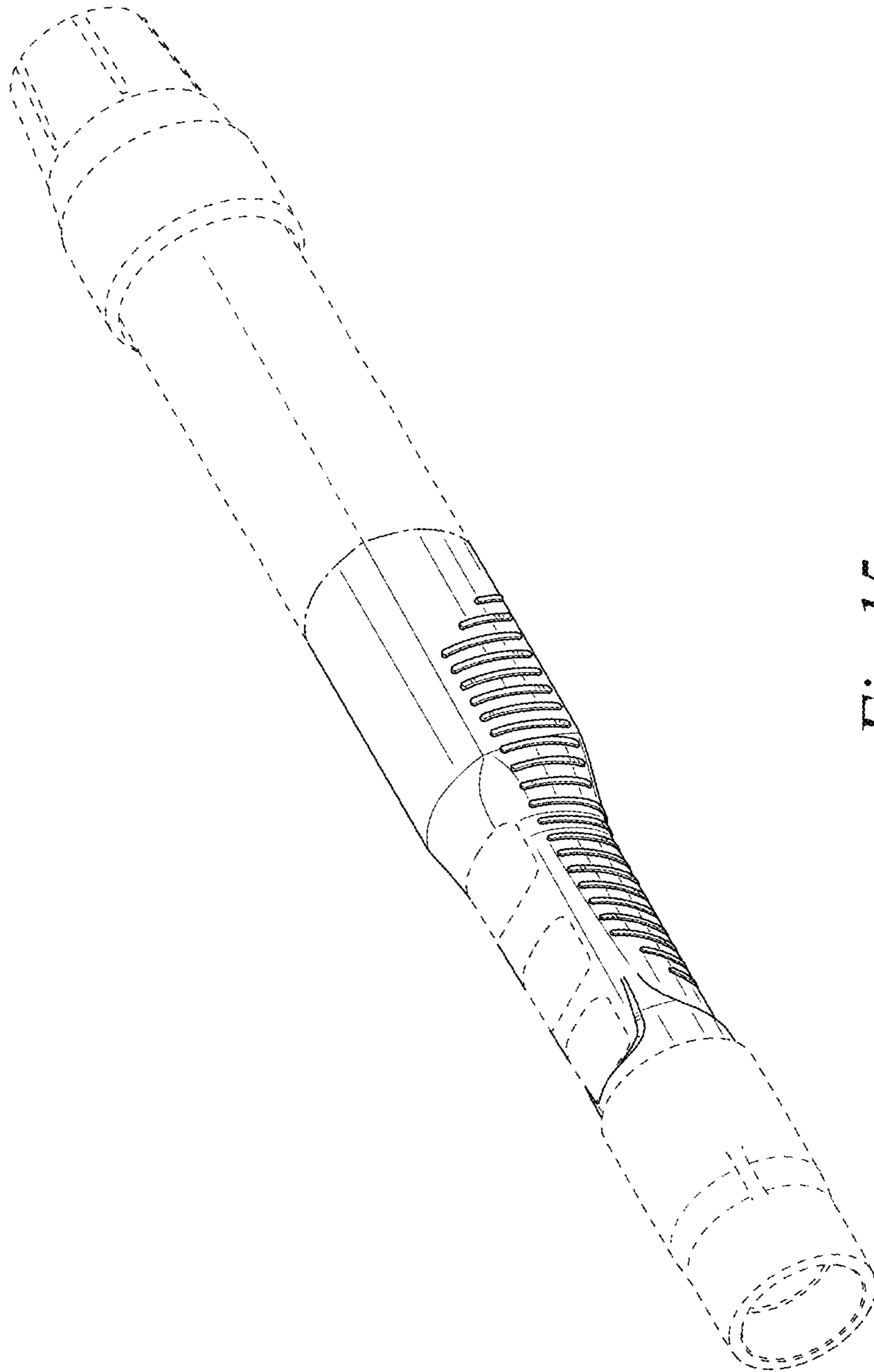
*Fig. 13*



*Fig. 12*



*Fig. 14*



*Fig. 15*

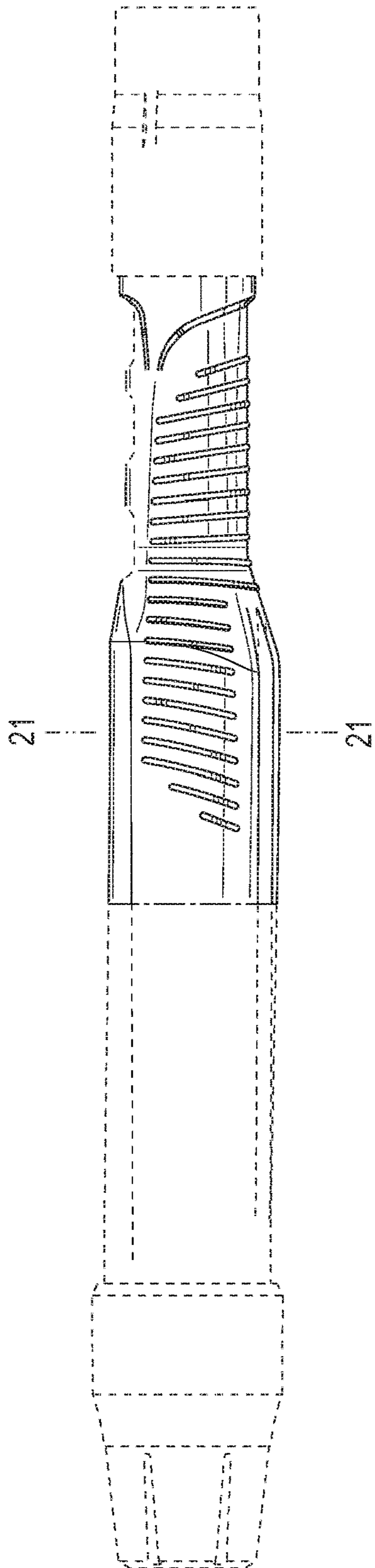


Fig. 16

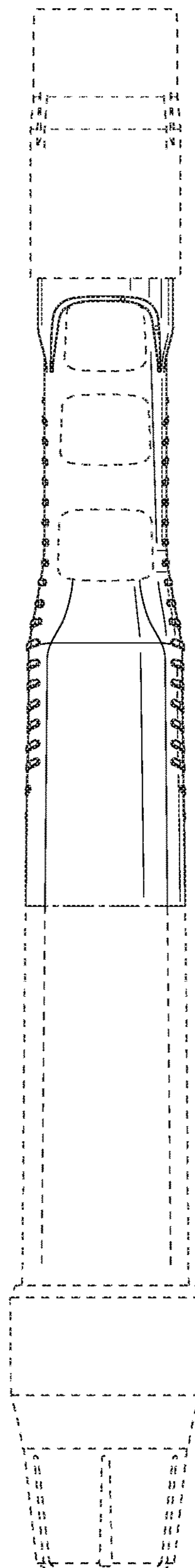
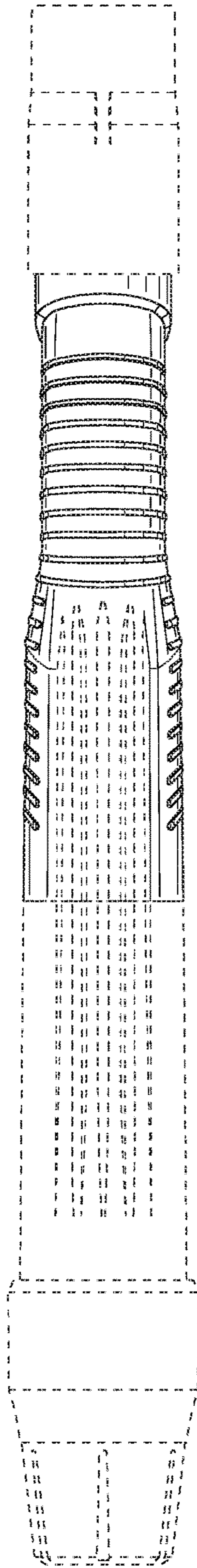
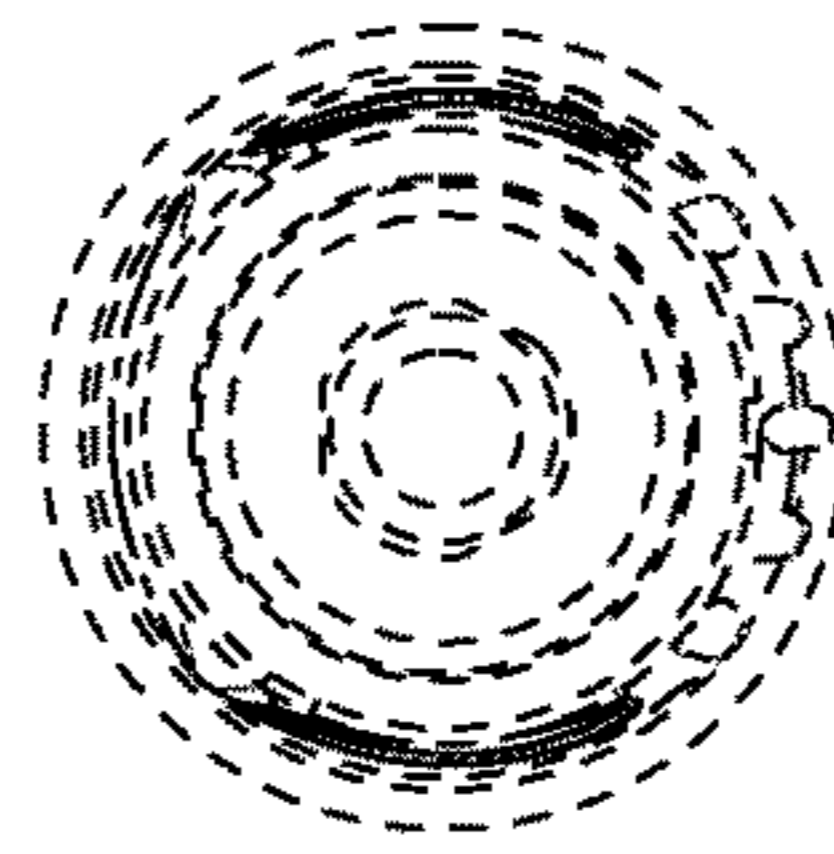


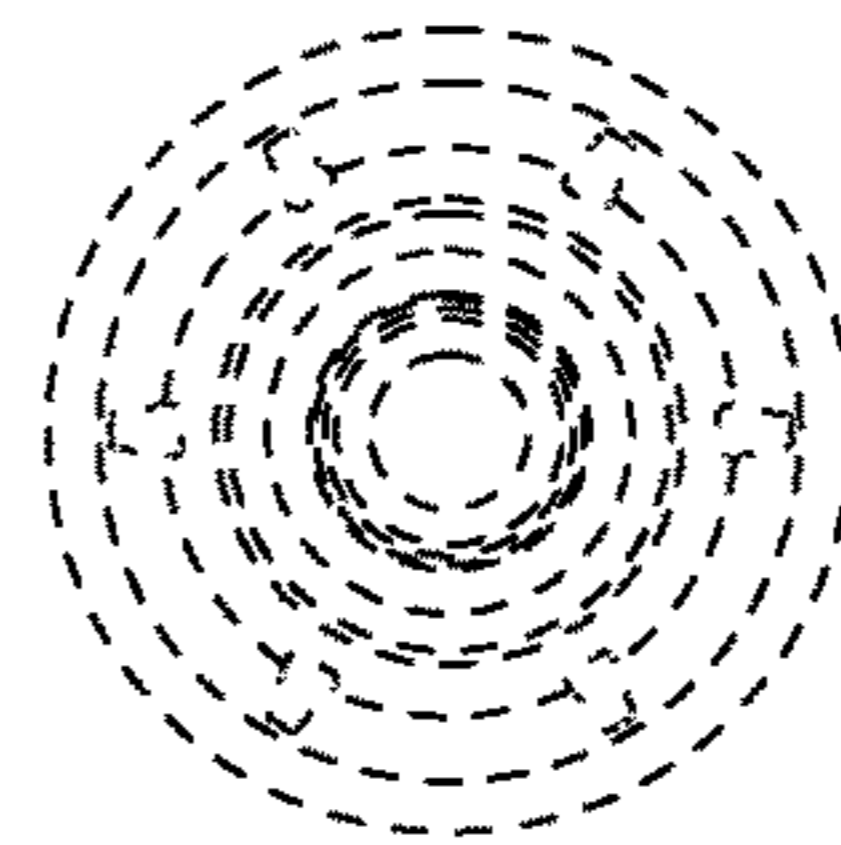
Fig. 17



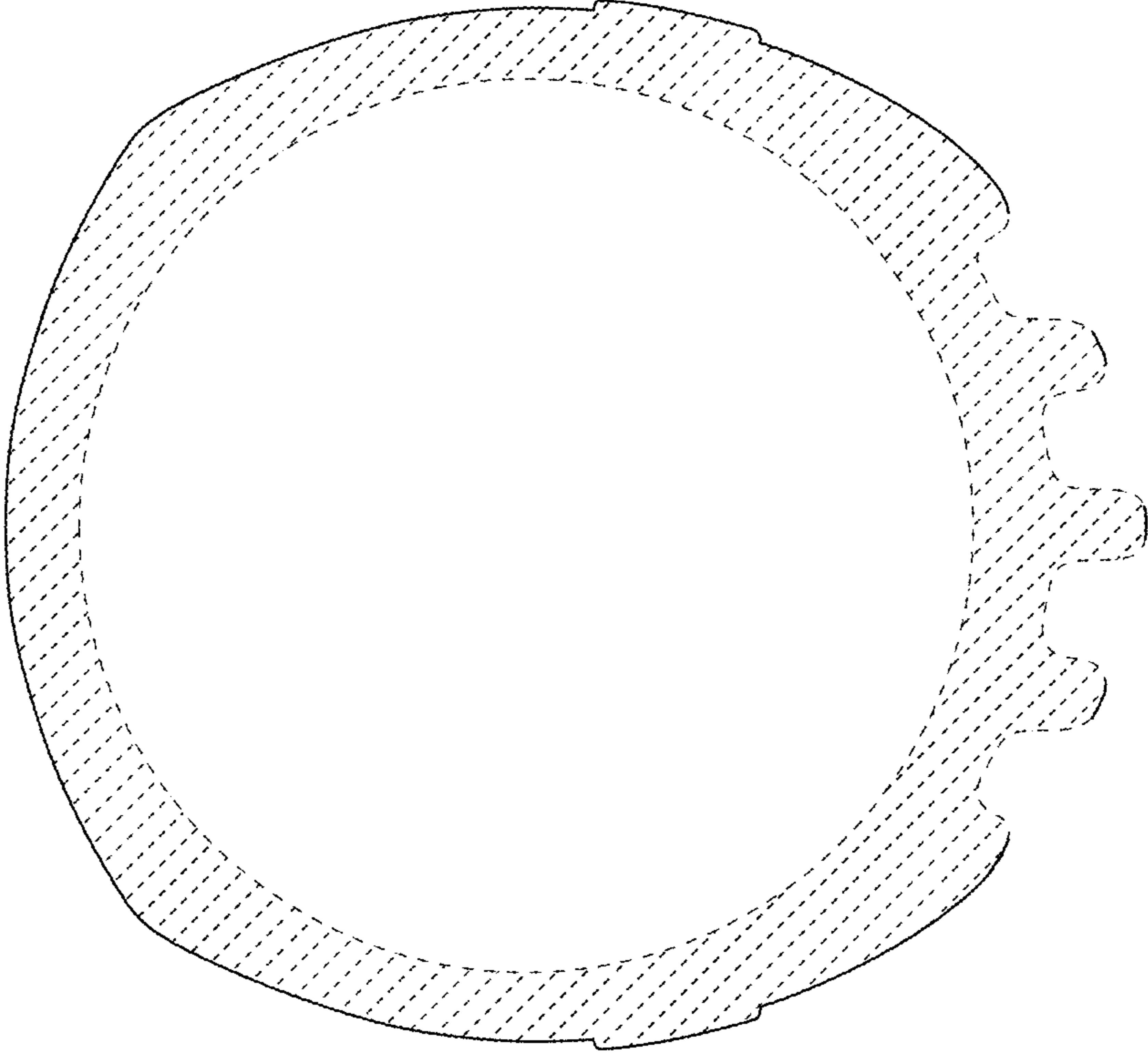
*Fig. 18*



*Fig. 20*



*Fig. 19*



*Fig. 21*