

US00D843567S

(12) **United States Design Patent**
Gloria Bello et al.

(10) **Patent No.:** **US D843,567 S**
(45) **Date of Patent:** **** Mar. 19, 2019**

(54) **DIALYSIS DEVICE CONNECTOR WITHOUT THREADS**

(71) Applicant: **IDE TECNOLOGIA S.A de C.V.**,
Guadalajara, Jalisco (MX)
(72) Inventors: **Oscar Gloria Bello**, Guadalajara (MX);
Monica Montserrat Huerta
Ruvalcaba, Guadalajara (MX);
Roberto Krumm Cortes, Guadalajara
(MX); **Maria Paloma Franco**
Uruñuela, Guadalajara (MX)

(73) Assignee: **IDE TECNOLOGIA S.A DE C.V.**,
Guadalajara, Jalisco (MX)

(**) Term: **15 Years**

(21) Appl. No.: **29/602,924**

(22) Filed: **May 4, 2017**

(30) **Foreign Application Priority Data**

Nov. 7, 2016 (MX) MX/f/2016/003433

(51) **LOC (11) Cl.** **24-02**

(52) **U.S. Cl.**
USPC **D24/129**

(58) **Field of Classification Search**
USPC D24/129, 112-114, 130, 127, 104, 133,
D24/186, 108; 606/181, 185; 604/264,
604/272, 115, 164.01-164.09, 533, 232,
604/187, 168.01, 192, 19, 48, 93.01, 523,
604/524, 526; 600/101, 139, 143;
128/200.24, 207.14, 207.15; 601/67
CPC A61M 25/00; A61M 25/0014; A61M
25/0097; A61M 25/0026
See application file for complete search history.

(56) **References Cited**

U.S. PATENT DOCUMENTS

D288,365 S * 2/1987 Larkin D24/224
D314,050 S * 1/1991 Sone D24/129

D315,583 S * 3/1991 Larson D21/662
D340,976 S * 11/1993 Garcia D24/110
5,279,597 A * 1/1994 Dassa A61M 25/0111
285/339
5,489,275 A * 2/1996 Thompson A61M 25/00
604/111
5,569,222 A * 10/1996 Haselhorst A61M 39/10
604/533
5,910,133 A * 6/1999 Gould A61B 17/320725
604/164.03
5,947,954 A * 9/1999 Bonaldo A61M 39/26
604/248

(Continued)

Primary Examiner — David G Muller

Assistant Examiner — Nathan M Johnston

(74) *Attorney, Agent, or Firm* — Schwabe Williamson &
Wyatt, PC

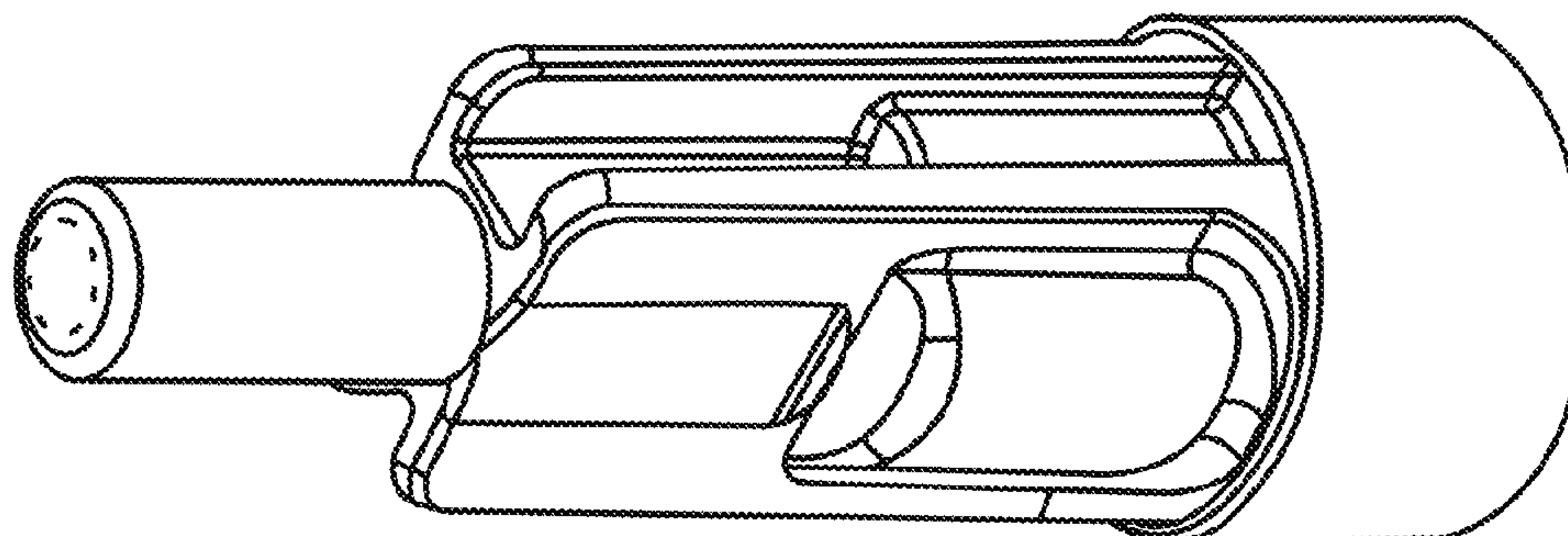
(57) **CLAIM**

We claim the ornamental design for a dialysis device connector without threads, as shown and described.

DESCRIPTION

FIG. 1 is a perspective side view of a dialysis device connector showing our new design;
FIG. 2 is a right side elevation view thereof;
FIG. 3 is a left side elevation view thereof;
FIG. 4 is a right end elevation view thereof;
FIG. 5 is a left end elevation view thereof;
FIG. 6 is a top plan view thereof;
FIG. 7 is a bottom plan view thereof; and,
FIG. 8 is a perspective bottom view thereof.
The broken lines-show portions of the design that form no part of the claimed design.
The characteristic feature of the design resides in elongated body ending in a connector without threads.

1 Claim, 8 Drawing Sheets



(56)

References Cited

U.S. PATENT DOCUMENTS

6,508,807 B1 *	1/2003	Peters	A61M 39/1011	604/533
D473,646 S *	4/2003	Baillargeon	D24/129	
D484,593 S *	12/2003	Baillargeon	D24/129	
D488,866 S *	4/2004	O'Dell	D24/129	
6,719,737 B2 *	4/2004	Kobayashi	A61M 5/3216	206/365
D546,946 S *	7/2007	Blake	D24/129	
7,252,652 B2 *	8/2007	Moorehead	A61M 25/0075	137/493
D602,128 S *	10/2009	Williams	D23/262	
D605,058 S *	12/2009	McGrath	D9/424	
D613,873 S *	4/2010	Jia	D24/224	
D636,079 S *	4/2011	Leybold	D24/129	
D639,939 S *	6/2011	Klockars	D24/129	
D667,959 S *	9/2012	Lin	D24/224	
8,512,313 B2 *	8/2013	Atkinson	A61M 25/0017	604/264
8,523,826 B2 *	9/2013	Layton, Jr.	A61M 39/16	604/237
D694,405 S *	11/2013	Khalaj	D24/130	
8,690,120 B2 *	4/2014	Hartnett	A61M 39/22	251/252
8,814,849 B1 *	8/2014	Winsor	A61M 39/24	604/284
8,968,271 B2 *	3/2015	Guala	A61M 39/10	604/533
8,974,437 B2 *	3/2015	Williams	A61M 39/1011	604/533
D746,448 S *	12/2015	Wu	D24/129	
D773,659 S *	12/2016	Cain	D24/129	
D784,529 S *	4/2017	Steele	D24/129	
2002/0099360 A1 *	7/2002	Bierman	A61M 39/10	604/523
2002/0133124 A1 *	9/2002	Leinsing	A61M 39/26	604/256
2004/0143226 A1 *	7/2004	Marsden	A61M 5/165	604/272
2006/0129089 A1 *	6/2006	Stamp	A61M 5/30	604/93.01
2007/0043334 A1 *	2/2007	Guala	A61M 39/10	604/533
2013/0303844 A1 *	11/2013	Grudo	A61B 1/00068	600/101
2015/0343195 A1 *	12/2015	Laufer	A61M 39/22	604/256

* cited by examiner

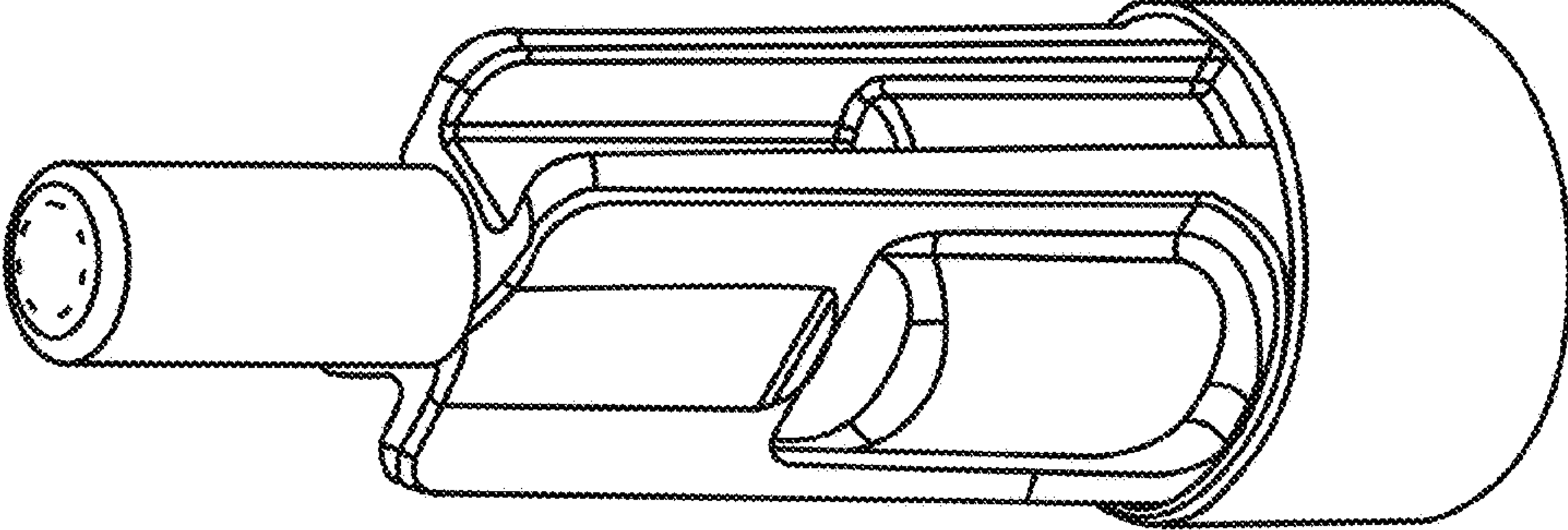


FIG. 1

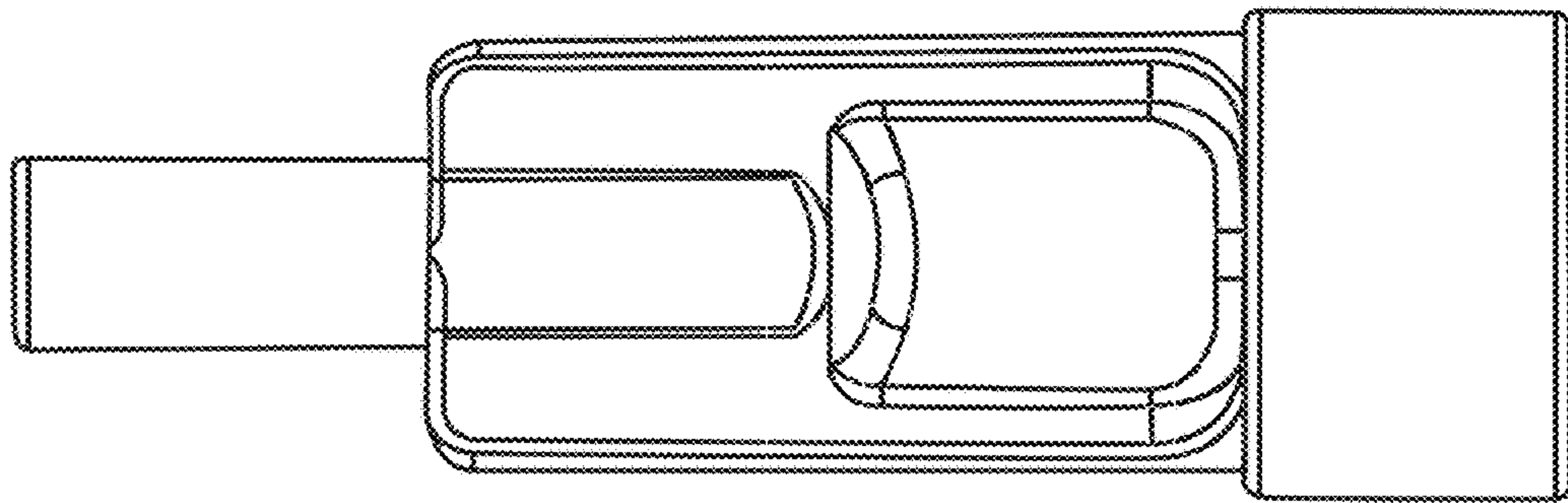


FIG. 2

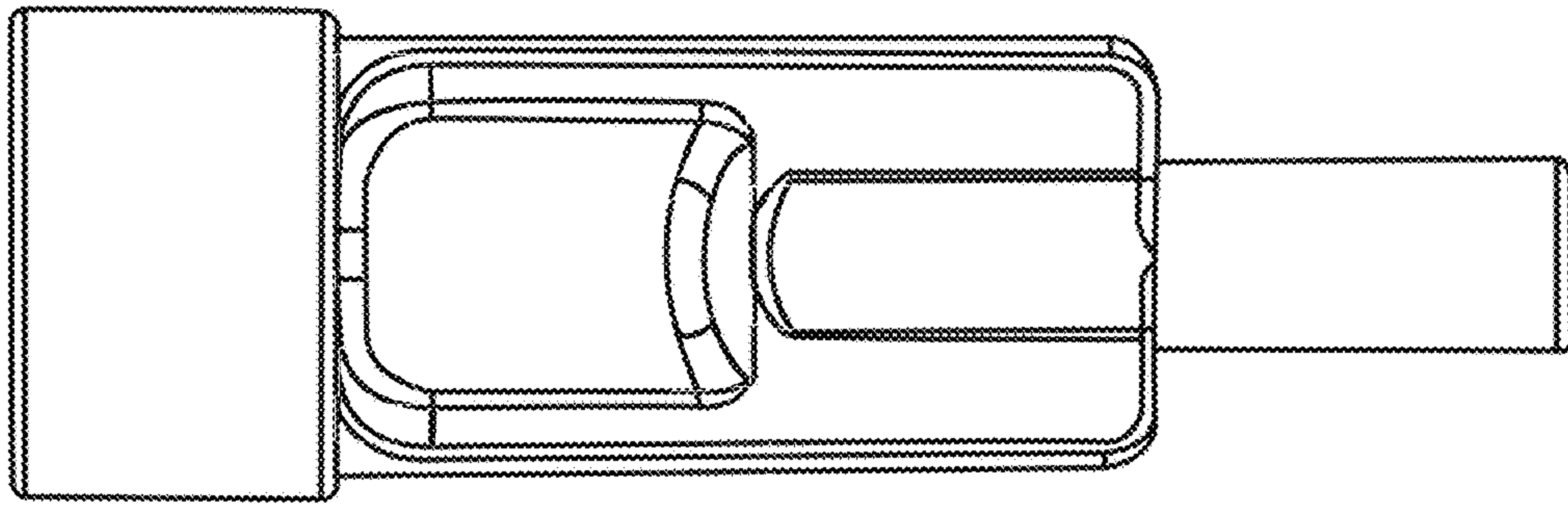


FIG. 3

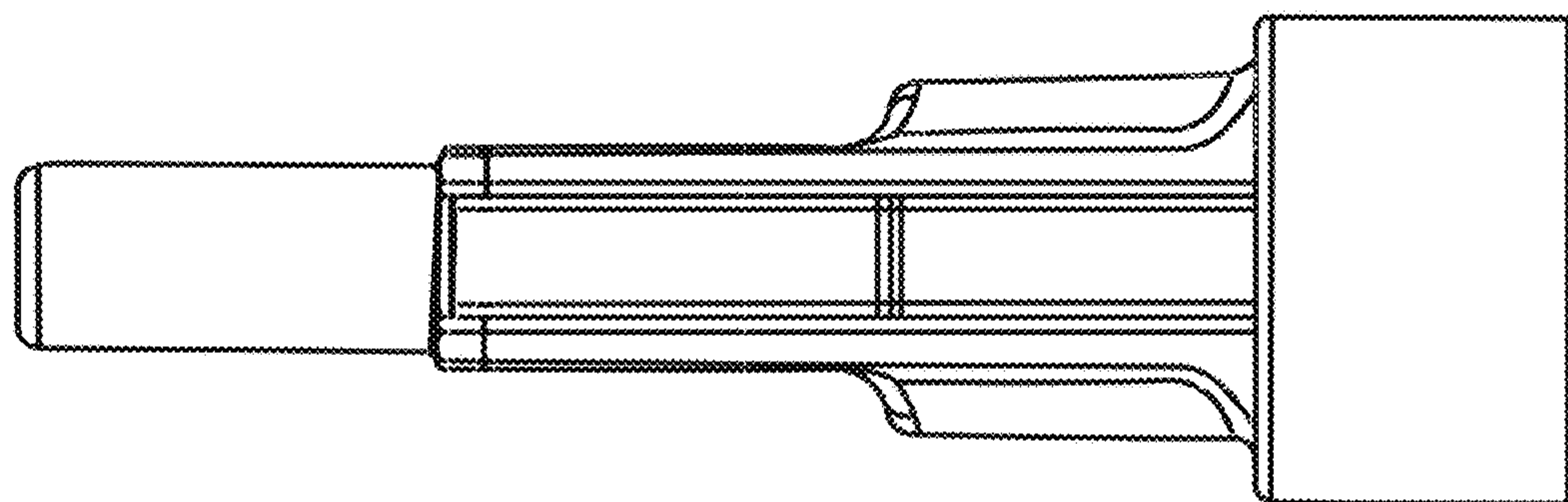


FIG. 4

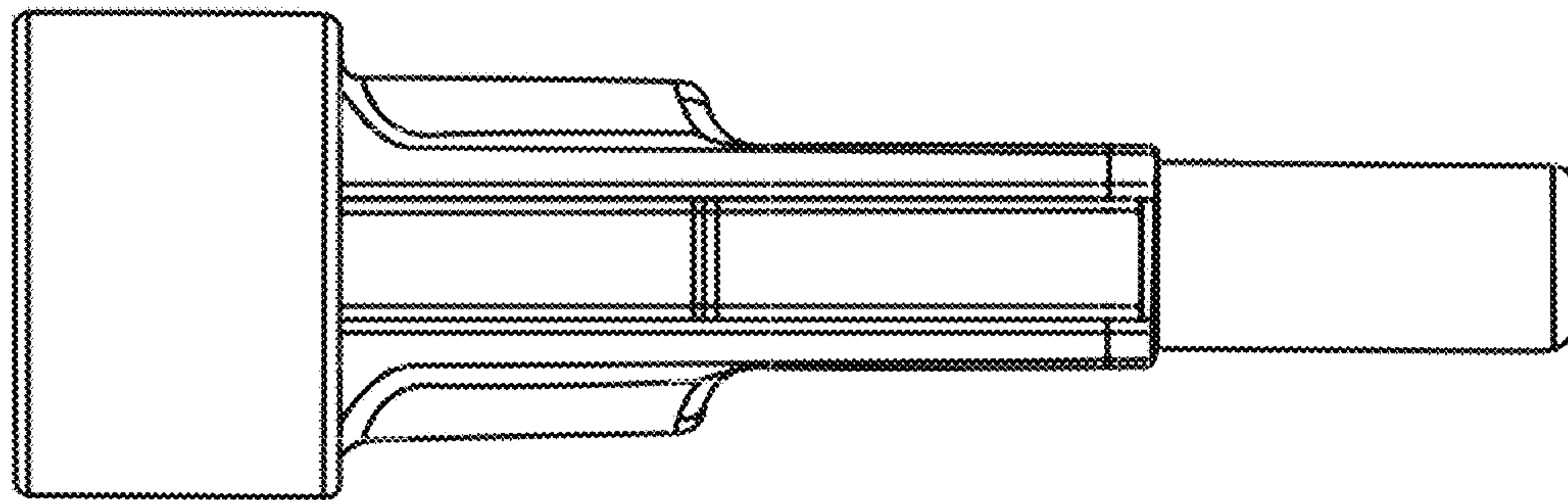


FIG. 5

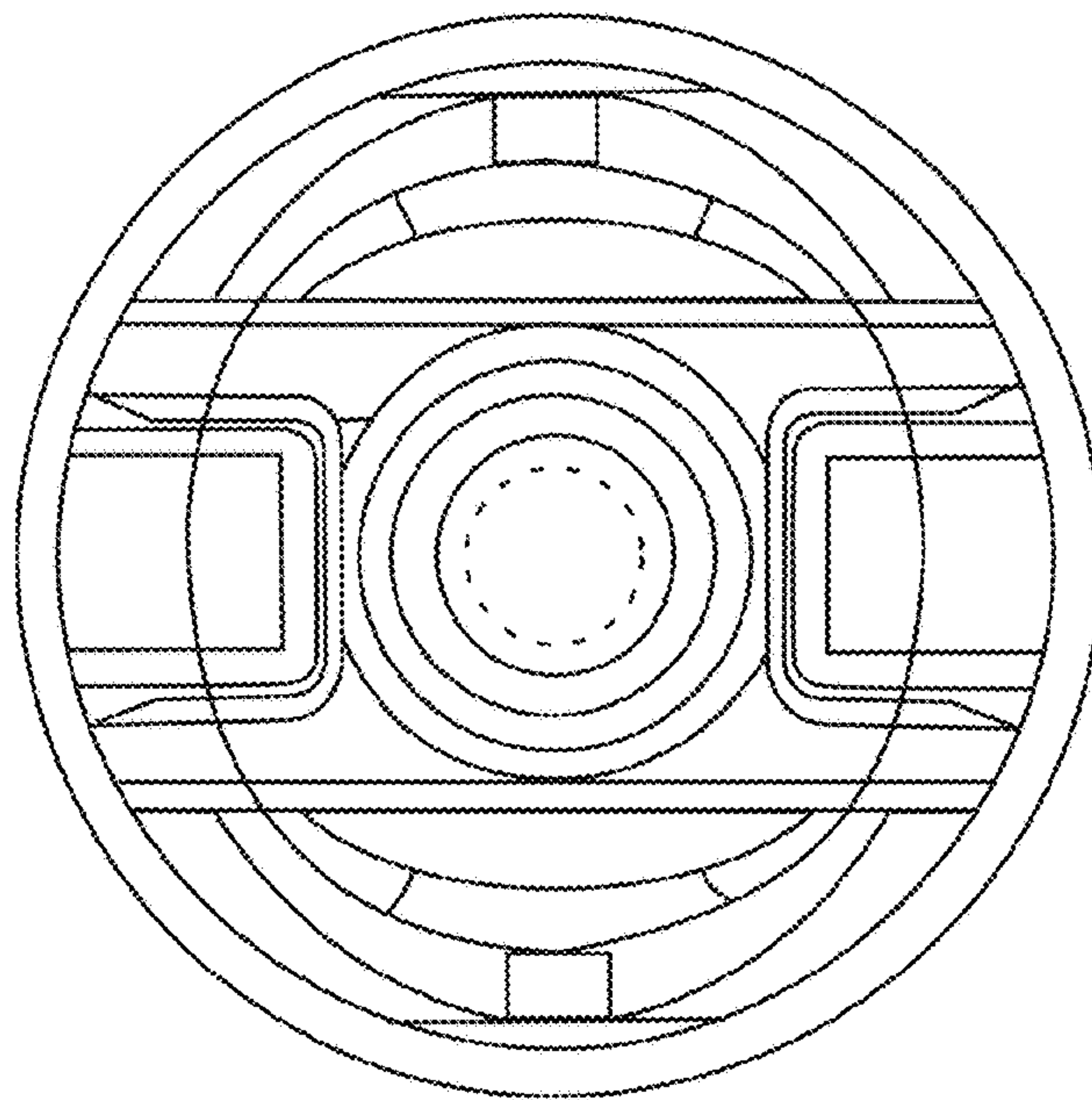


FIG. 6

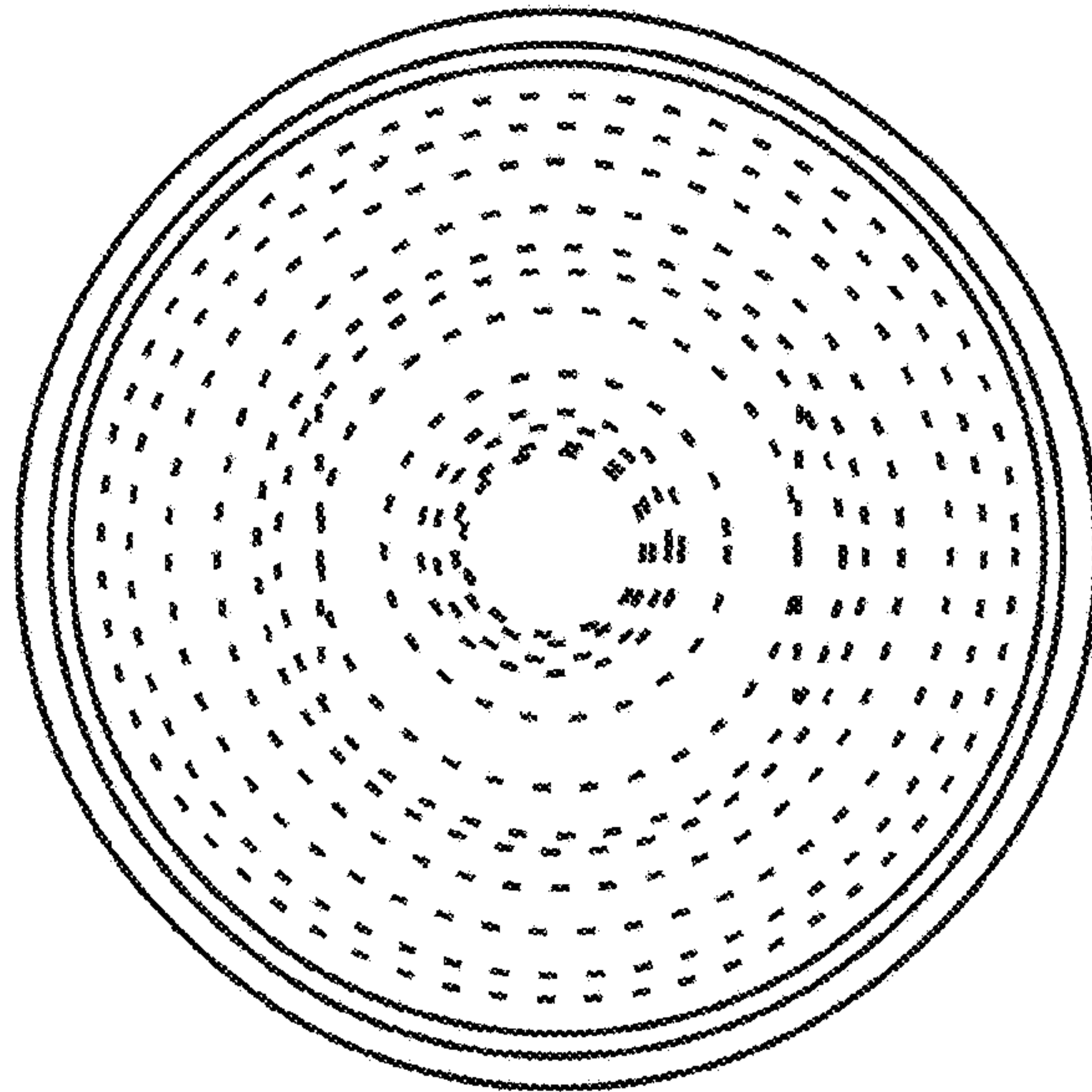


FIG. 7

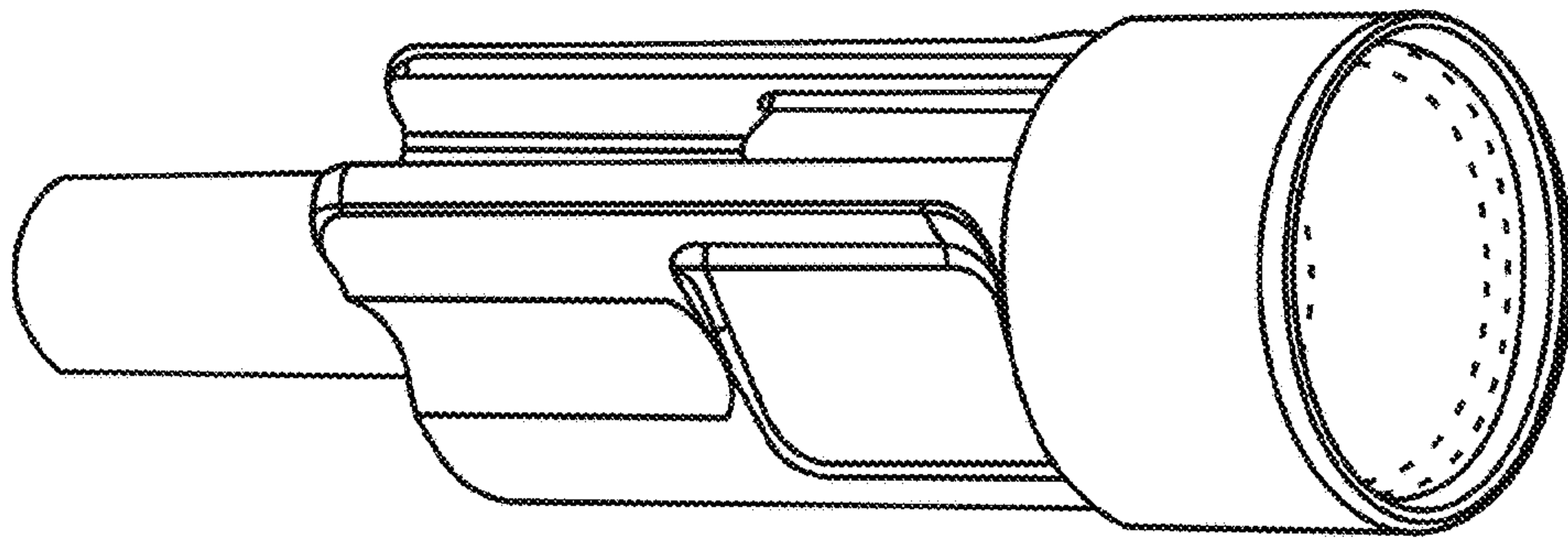


FIG. 8