



US00D843565S

(12) **United States Design Patent**  
**Adams**

(10) **Patent No.:** **US D843,565 S**  
(45) **Date of Patent:** **\*\* Mar. 19, 2019**

(54) **COMBINATION TAMPON AND MENSTRUAL PAD**

(71) Applicant: **Amber Adams**, Intervale, NH (US)

(72) Inventor: **Amber Adams**, Intervale, NH (US)

(\*\*) Term: **15 Years**

(21) Appl. No.: **29/598,610**

(22) Filed: **Mar. 27, 2017**

(51) **LOC (11) Cl.** ..... **24-04**

(52) **U.S. Cl.**  
USPC ..... **D24/125**

(58) **Field of Classification Search**  
USPC ..... D24/124, 125, 126; 604/347, 348,  
604/358-361, 378, 385.01, 385.17,  
604/385.201, 385.24, 385.25; 450/104,  
450/105  
CPC ..... A61F 13/2051; A61F 13/47227; A61F  
13/505; A61F 2013/4729; A61F  
2013/15016; A61F 2/00; A61F 2/02;  
A61F 2/0009; A41C 3/00; A41C 3/0064;  
A41C 3/12; A41C 3/124; A41C 3/144;  
A41C 3/145

See application file for complete search history.

(56) **References Cited**

**U.S. PATENT DOCUMENTS**

D346,213 S \* 4/1994 Ruffo ..... D24/125  
D352,554 S \* 11/1994 Ruffo ..... D24/124  
6,059,763 A \* 5/2000 Brown ..... A61F 13/2051  
604/11  
D473,300 S \* 4/2003 Llanos-Vega ..... D24/124

D483,485 S \* 12/2003 Phillips-Nicholas ..... D24/125  
6,939,333 B1 \* 9/2005 Franklin, Jr. .... A61F 13/47227  
604/11  
7,530,973 B2 \* 5/2009 Tanio ..... A61F 13/4702  
604/380  
D630,730 S \* 1/2011 Clark ..... D24/125  
D662,587 S \* 6/2012 Fernandez ..... D24/125  
9,233,185 B2 \* 1/2016 Noda ..... A61F 13/47218  
D812,742 S \* 3/2018 Green ..... D24/125  
10,010,393 B1 \* 7/2018 Nguyen ..... A61F 2/0009  
2005/0267435 A1 \* 12/2005 Tanio ..... A61F 13/4702  
604/385.17  
2012/0059344 A1 \* 3/2012 Seo ..... A61F 13/4758  
604/385.05

\* cited by examiner

*Primary Examiner* — Garth Rademaker

*Assistant Examiner* — Samantha Q. Lawrence

(74) *Attorney, Agent, or Firm* — IPS Legal Group, P.A.;  
Joycelyn S. Brown

(57) **CLAIM**

The ornamental design for a combination tampon and menstrual pad, as shown.

**DESCRIPTION**

FIG. 1 is a perspective view of a combination tampon and menstrual pad.

FIG. 2 is a top view thereof.

FIG. 3 is a bottom view thereof.

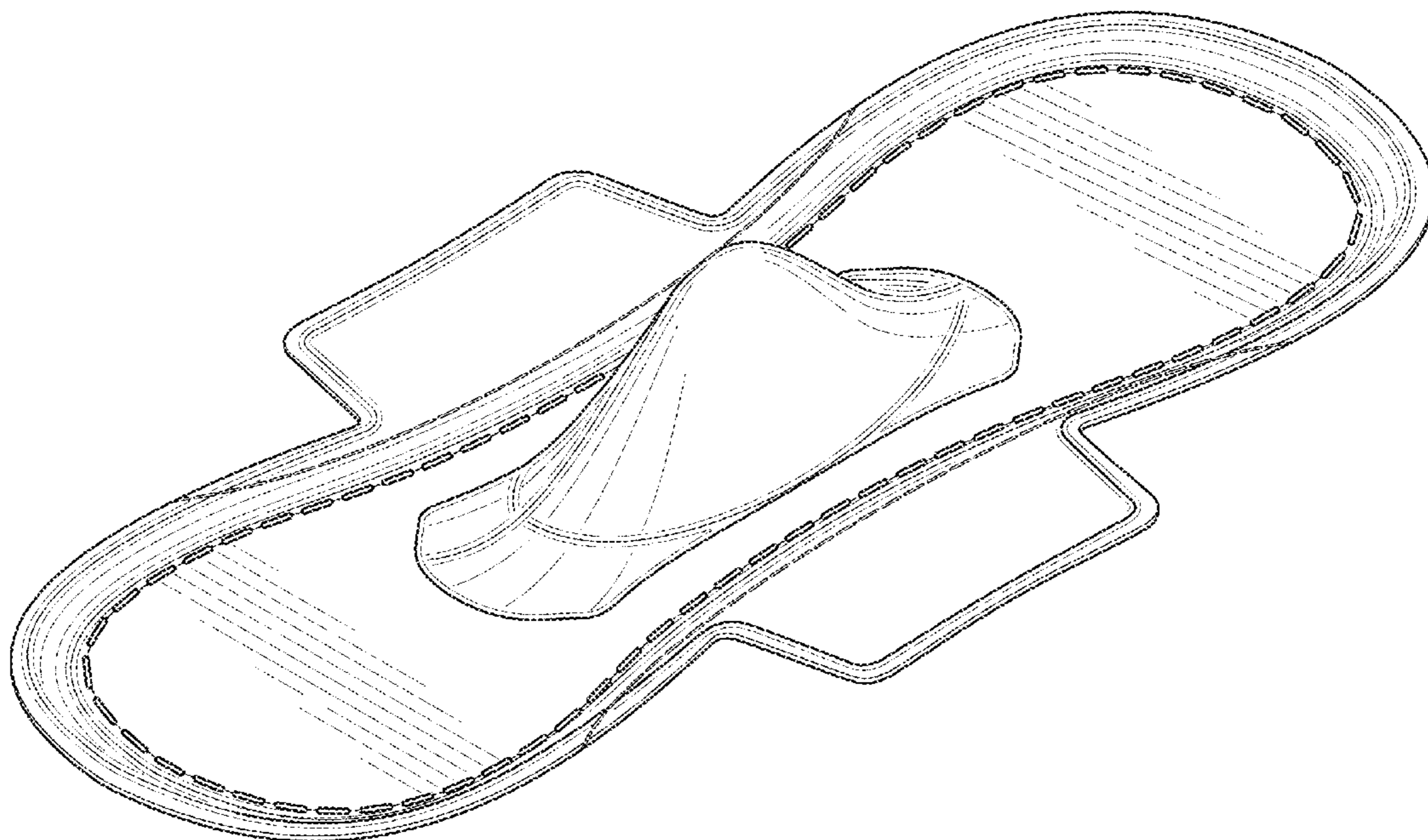
FIG. 4 is a left view thereof.

FIG. 5 is a right view thereof.

FIG. 6 is a front view thereof; and,

FIG. 7 is a rear view thereof.

**1 Claim, 5 Drawing Sheets**



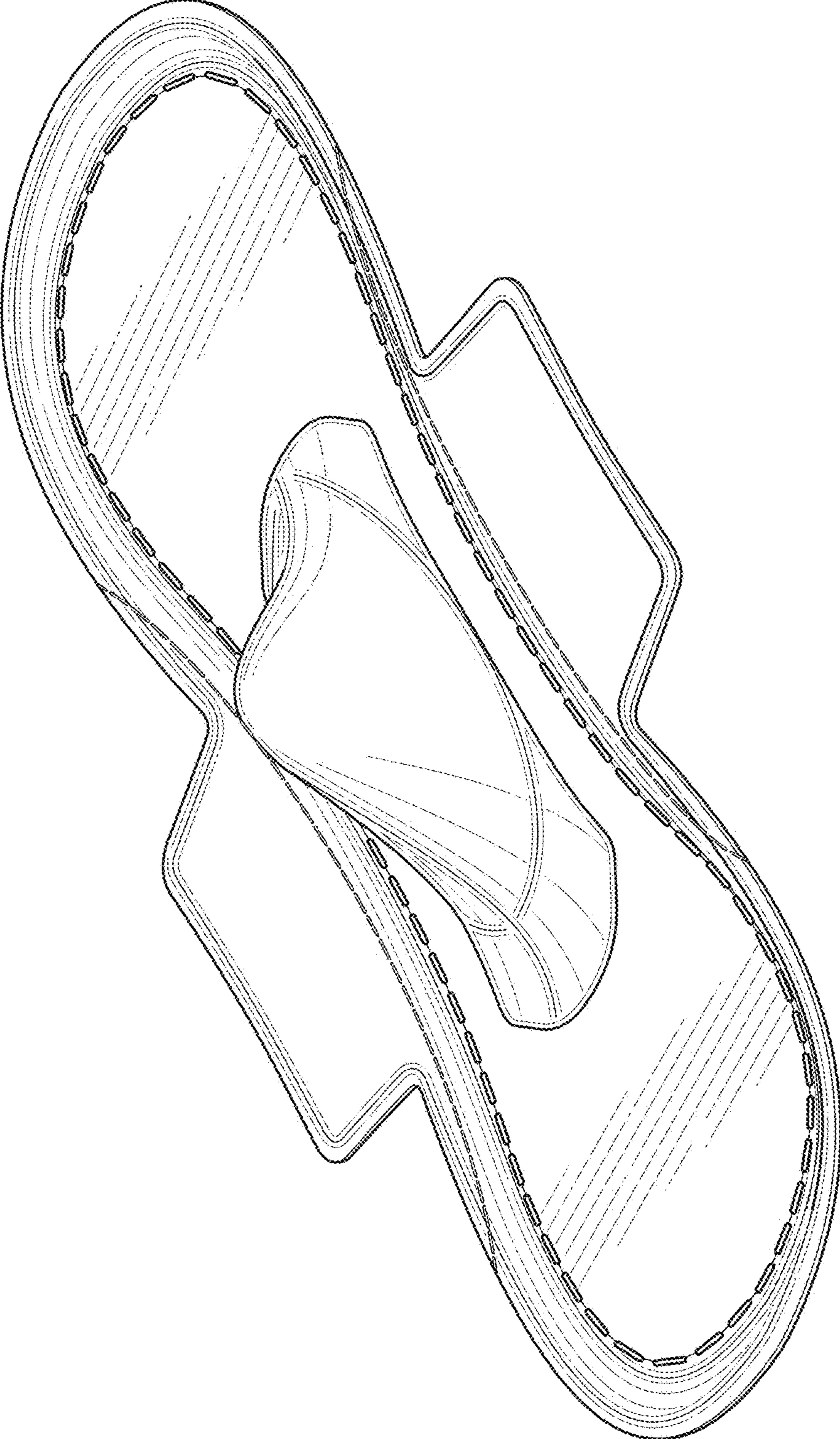


FIG. 1

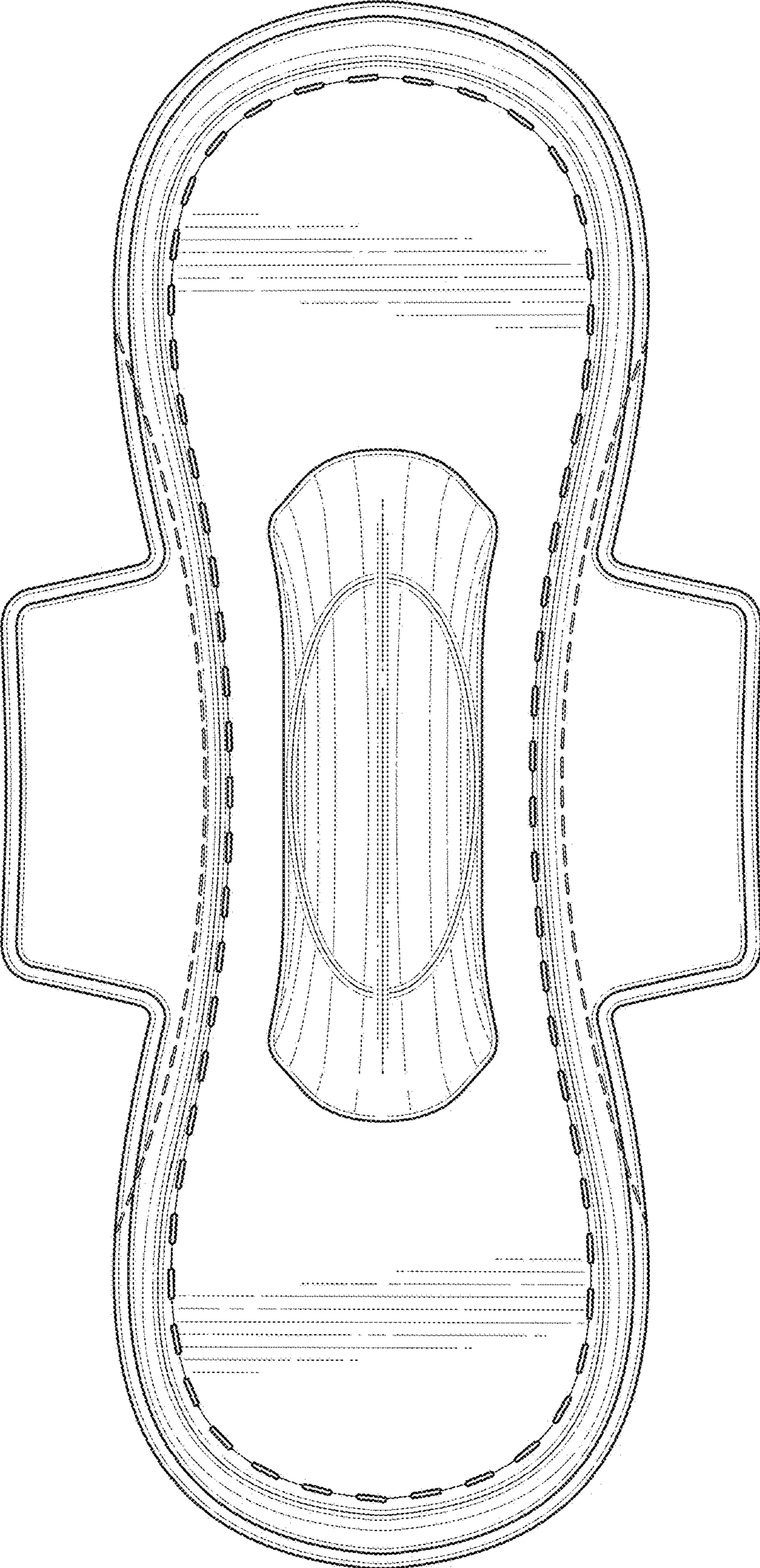


FIG. 2

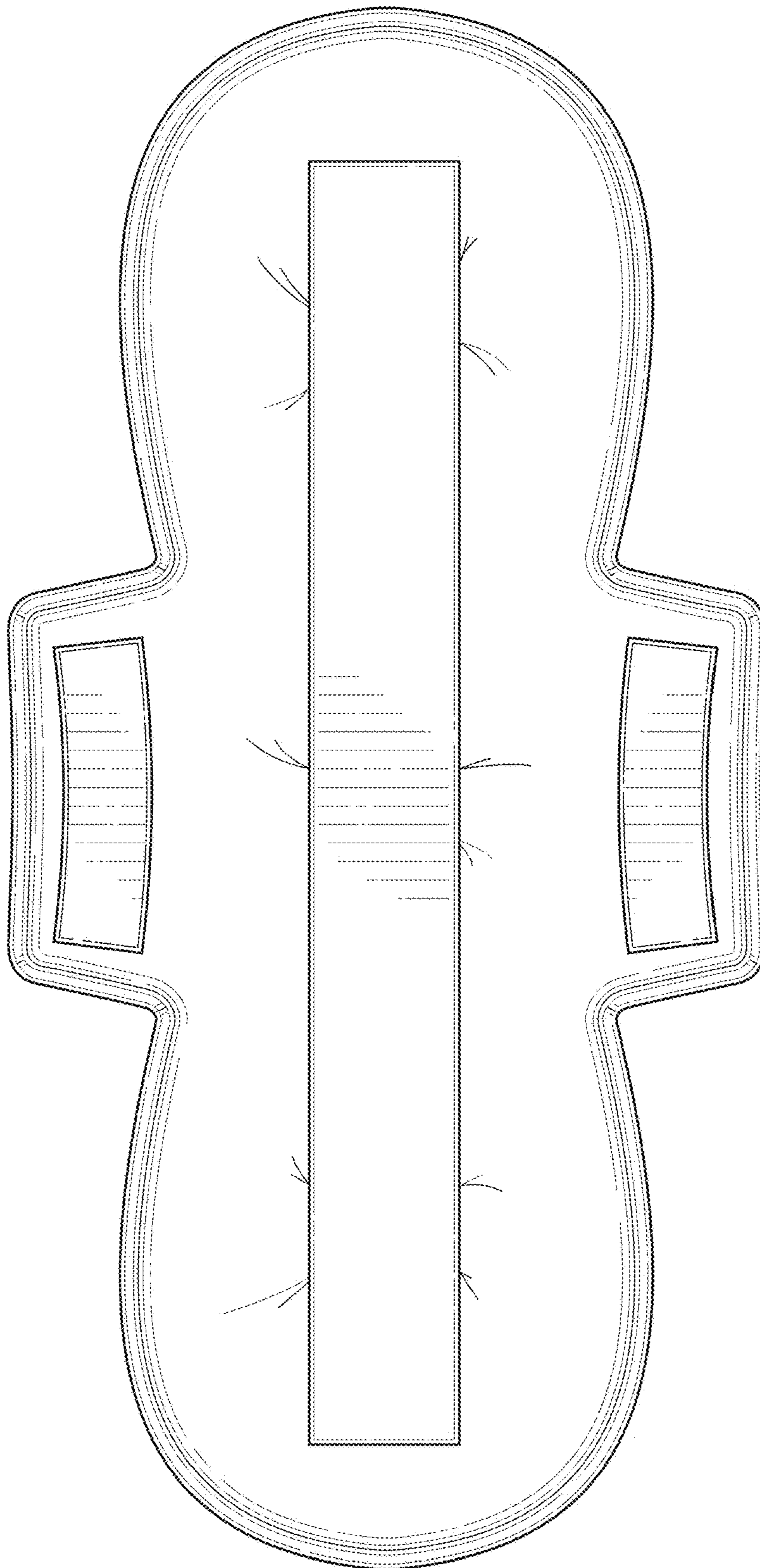


FIG. 3

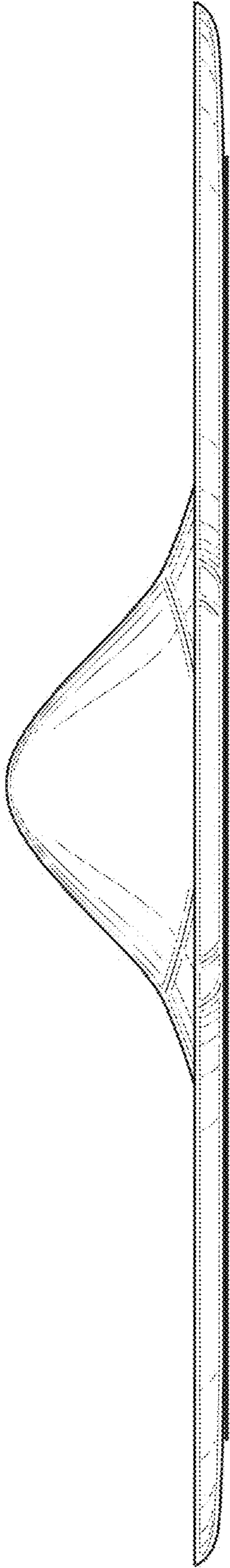


FIG. 4

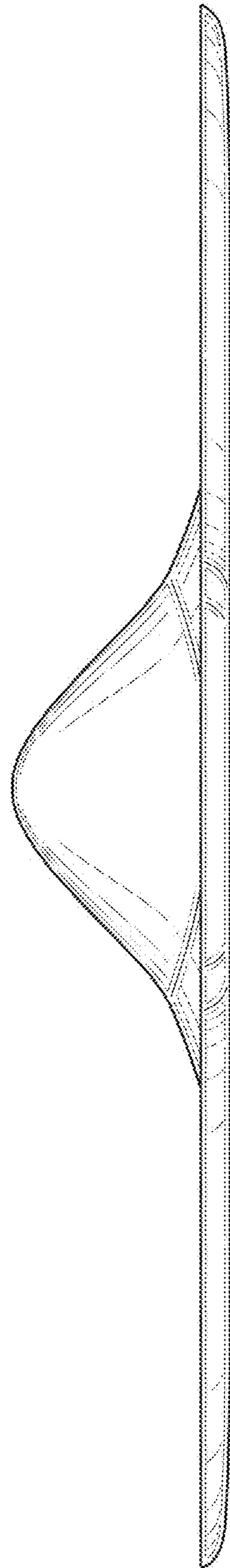


FIG. 5

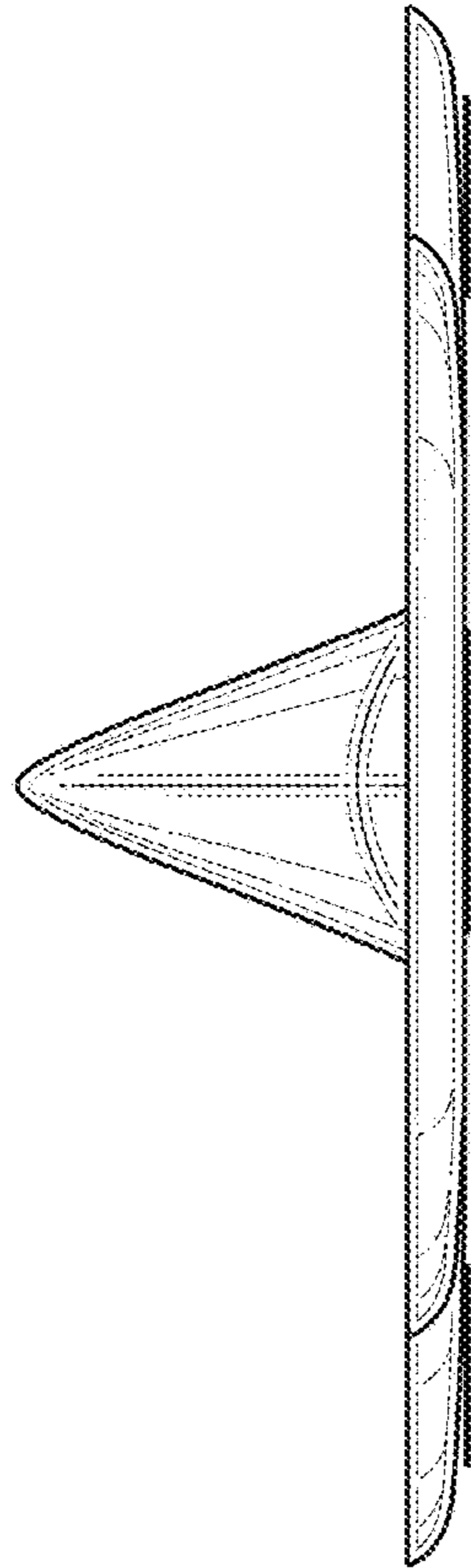


FIG. 6

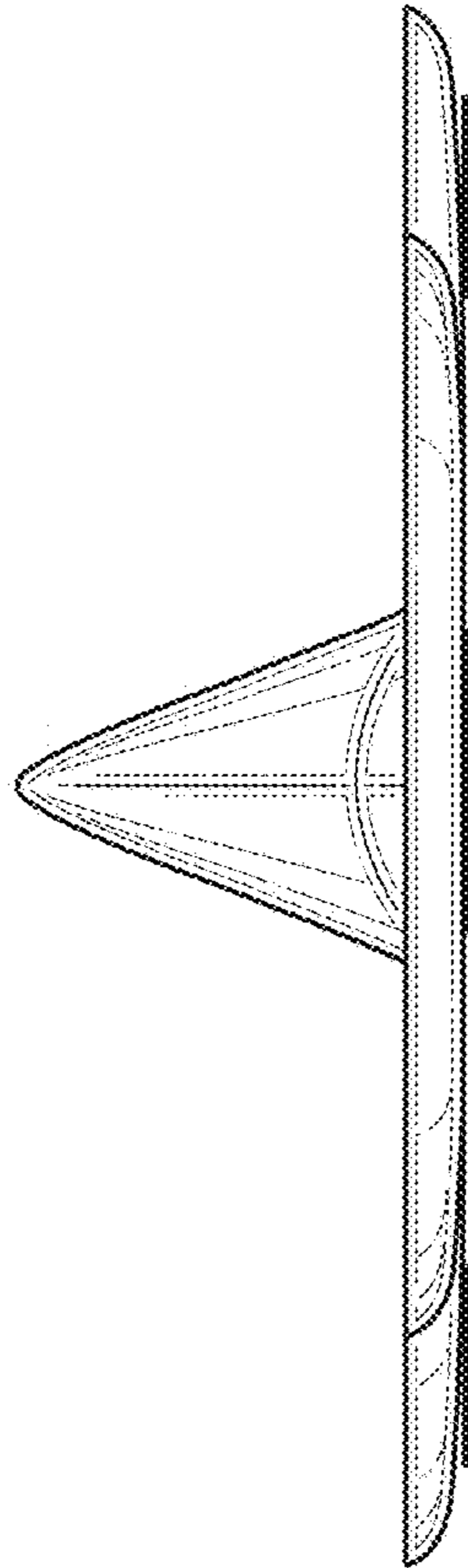


FIG. 7