



US00D843564S

(12) **United States Design Patent** (10) **Patent No.:** **US D843,564 S**
de Roeck (45) **Date of Patent:** **** Mar. 19, 2019**

(54) **URINARY COLLECTION DEVICE**

(56) **References Cited**

(71) Applicant: **B. BRAUN MEDICAL SAS**, Boulogne Billancourt (FR)

(72) Inventor: **Herwig de Roeck**, Nogent-le-Rotrou (FR)

(73) Assignee: **B. BRAUN MEDICAL SAS**, Boulogne-Billancourt (FR)

(**) Term: **15 Years**

(21) Appl. No.: **35/501,511**

(22) Filed: **Mar. 8, 2016**

(80) **Hague Agreement Data**

Int. Filing Date: **Mar. 8, 2016**

Int. Reg. No.: **DM/091154**

Int. Reg. Date: **Mar. 8, 2016**

Int. Reg. Pub. Date: **Sep. 9, 2016**

(30) **Foreign Application Priority Data**

Sep. 8, 2015 (EM) 0027685070001

(51) **LOC (11) Cl.** **24-04**

(52) **U.S. Cl.**

USPC **D24/122**

(58) **Field of Classification Search**

USPC D24/108, 112, 121, 122, 123, 216, 232

CPC A61M 25/002; A61M 1/0001; A61M

1/3627; A61M 1/0011; A61M 1/0017;

A61M 1/0023; A61M 25/0017

See application file for complete search history.

U.S. PATENT DOCUMENTS

D240,337 S * 6/1976 Or D24/118

5,078,677 A * 1/1992 Gentelia A61M 1/0011

604/317

D378,129 S * 2/1997 Wexler D24/122

6,113,575 A * 9/2000 Viitala A61M 1/3627

604/132

D539,899 S * 4/2007 Kataoka D24/108

D563,545 S * 3/2008 Say D24/108

D625,407 S * 10/2010 Koizumi D24/122

D691,711 S * 10/2013 Lofgren D24/107

D706,930 S * 6/2014 Lin D24/216

D720,471 S * 12/2014 Angel D24/229

D752,452 S * 3/2016 Kearns D24/118

D776,292 S * 1/2017 Wan D24/216

2012/0109008 A1 * 5/2012 Charlez A61B 5/208

600/573

* cited by examiner

Primary Examiner — Jennifer L Watkins

(74) *Attorney, Agent, or Firm* — Notaro, Michalos & Zaccaria P.C.

(57) **CLAIM**

The ornamental design for a urinary collection device, as shown and described.

DESCRIPTION

1. Urine collection device

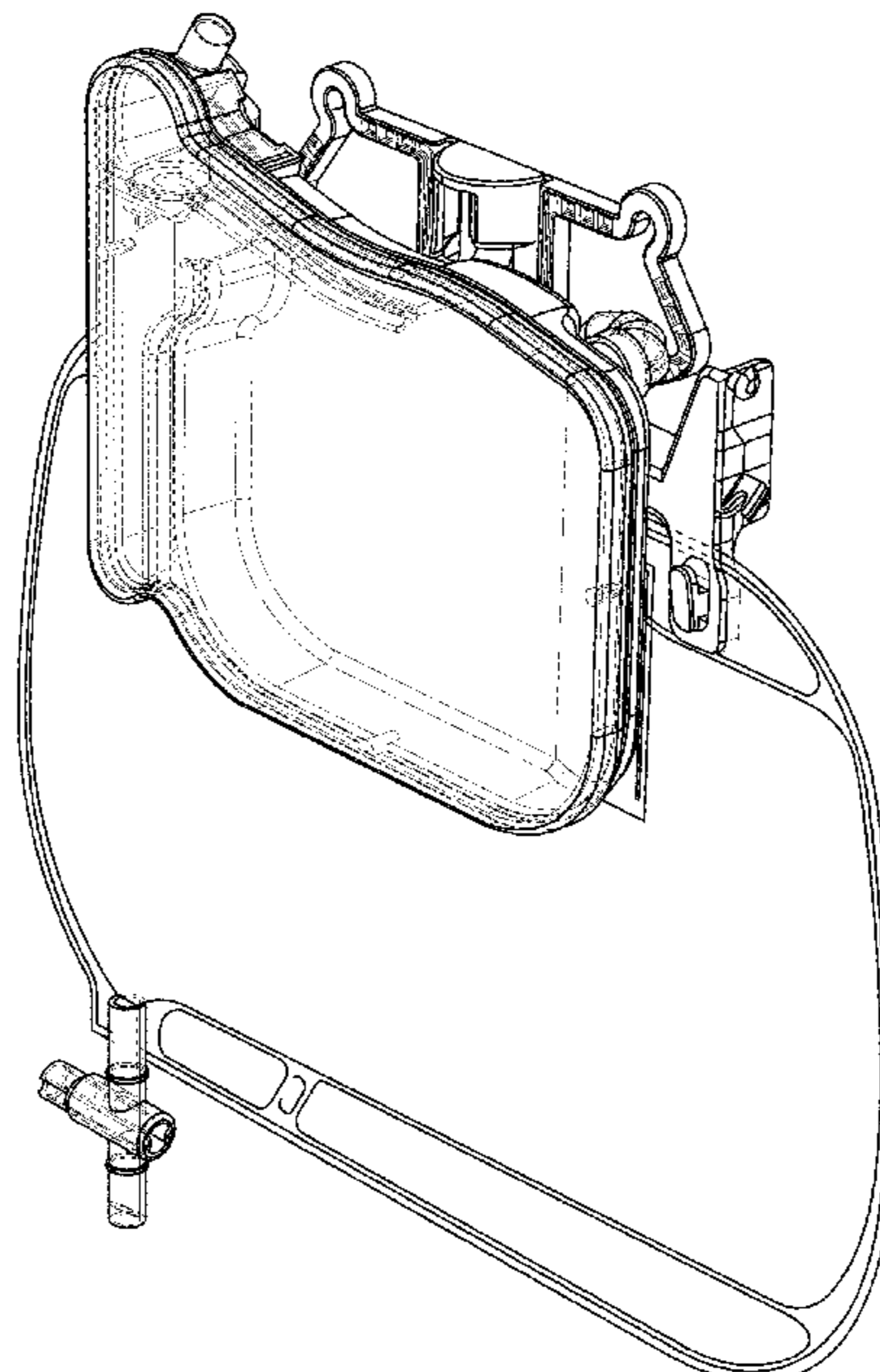
Fig. 1.1 is a front right perspective view of a urinary collection device showing my new design;

Fig. 1.2 is a rear perspective view thereof; and

Fig. 1.3 is a right side elevational view thereof.

The broken lines in the drawings show environment only and form no part of the claimed design.

1 Claim, 3 Drawing Sheets



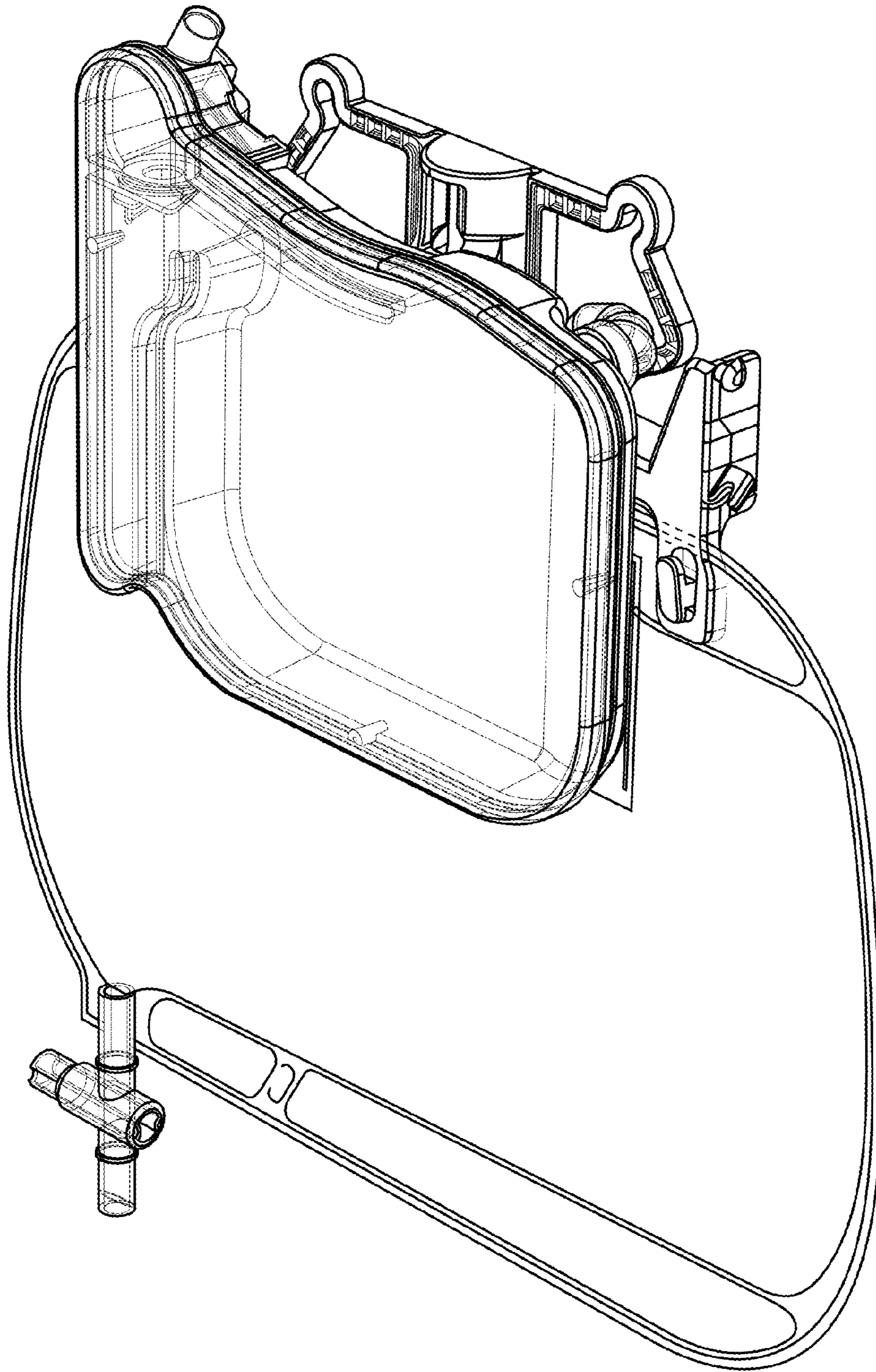


FIG. 1.1

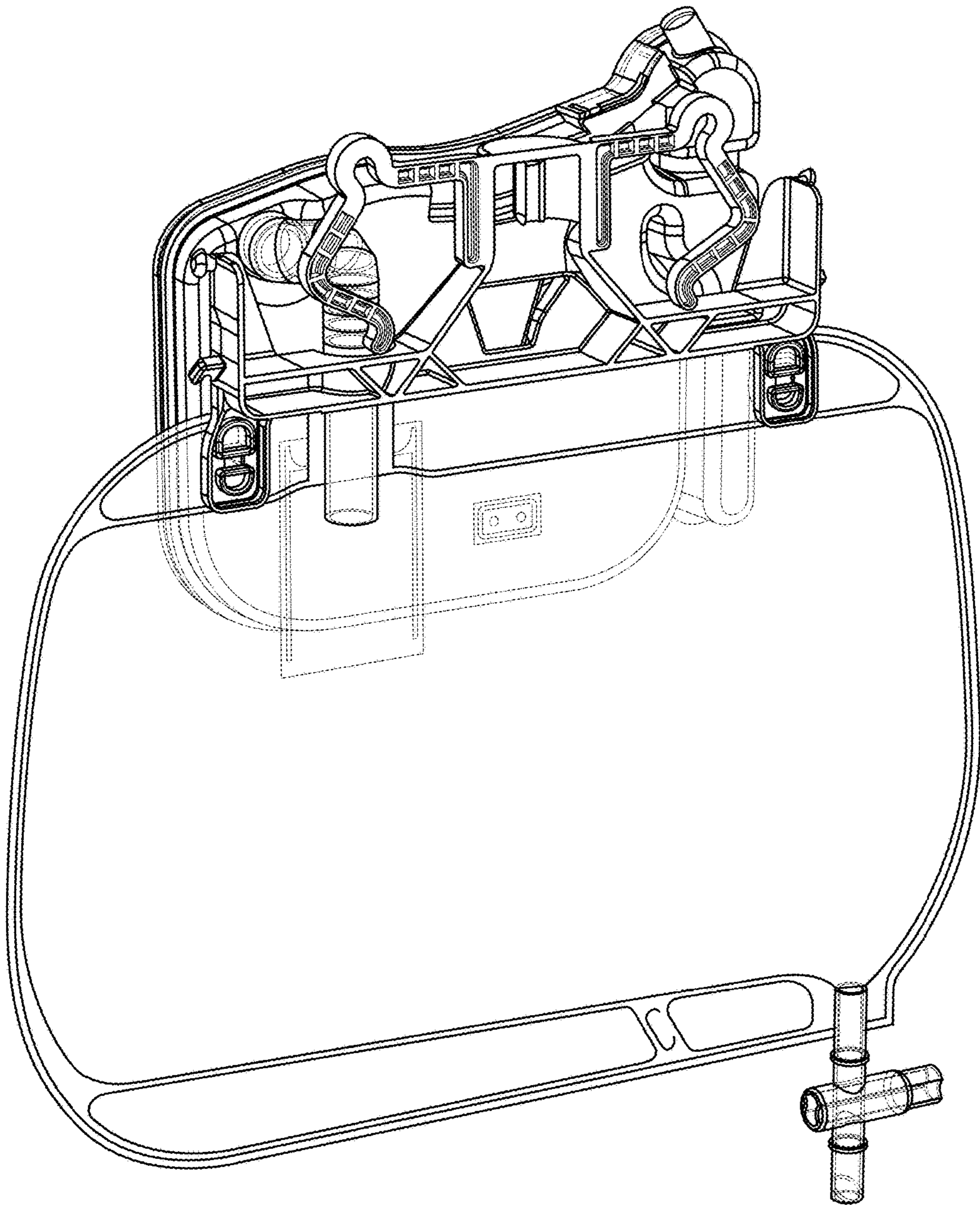


FIG. 1.2

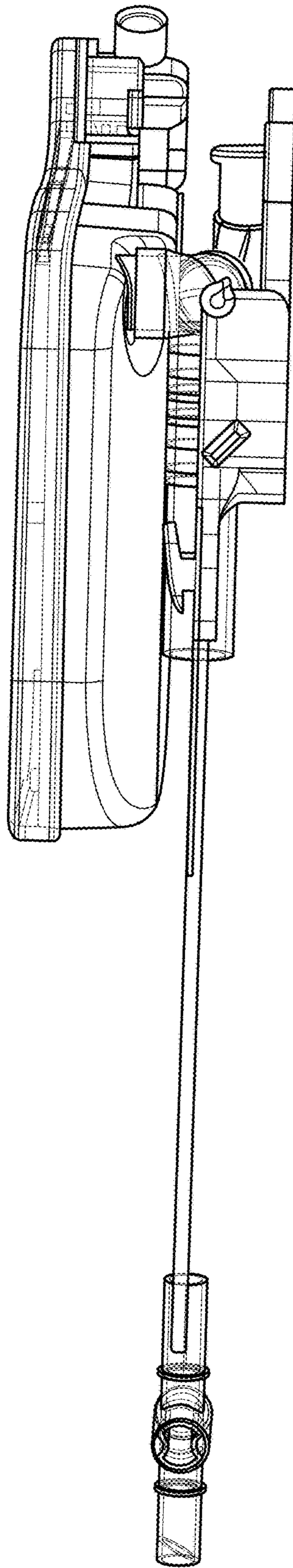


FIG. 1.3