



US00D843563S

(12) **United States Design Patent**  
**Paboojian et al.**

(10) **Patent No.:** **US D843,563 S**  
(45) **Date of Patent:** **\*\* Mar. 19, 2019**

(54) **INJECTOR AND INSERT FOR AN INJECTOR**

(71) Applicant: **NOVARTIS AG**, Basel (CH)

(72) Inventors: **Stephen Paboojian**, Basel (CH); **James William Luther**, Milan (IT); **Andrea Besana**, Milan (IT)

(73) Assignee: **NOVARTIS AG** (CH)

(\*\*) Term: **15 Years**

(21) Appl. No.: **29/549,495**

(22) Filed: **Dec. 22, 2015**

(30) **Foreign Application Priority Data**

Jun. 22, 2015 (EM) ..... 002723643-0001  
Jun. 22, 2015 (EM) ..... 002723643-0002  
Jun. 22, 2015 (EM) ..... 002723643-0003

(51) **LOC (11) Cl.** ..... **24-02**

(52) **U.S. Cl.**  
USPC ..... **D24/113**

(58) **Field of Classification Search**  
USPC ..... D24/112-114, 133, 186, 127-131;  
606/181, 185; 604/264, 272, 115, 232,  
604/187, 158, 164.08, 192, 263, 163, 181,  
604/184, 198, 227; 600/101, 139, 143;  
128/200.24, 207.14, 207.15  
CPC ..... A61M 5/2033; A61M 2005/206; A61M  
5/326; A61M 5/3202; A61M 2005/208  
See application file for complete search history.

(56) **References Cited**

**U.S. PATENT DOCUMENTS**

420,739 A 2/1890 Schmitz  
650,070 A 5/1900 Whitman  
677,785 A 7/1901 Mariner  
718,436 A 1/1903 Doggett

(Continued)

*Primary Examiner* — David G Muller  
*Assistant Examiner* — Nathan M Johnston  
(74) *Attorney, Agent, or Firm* — Seager, Tufte & Wickhem LLP

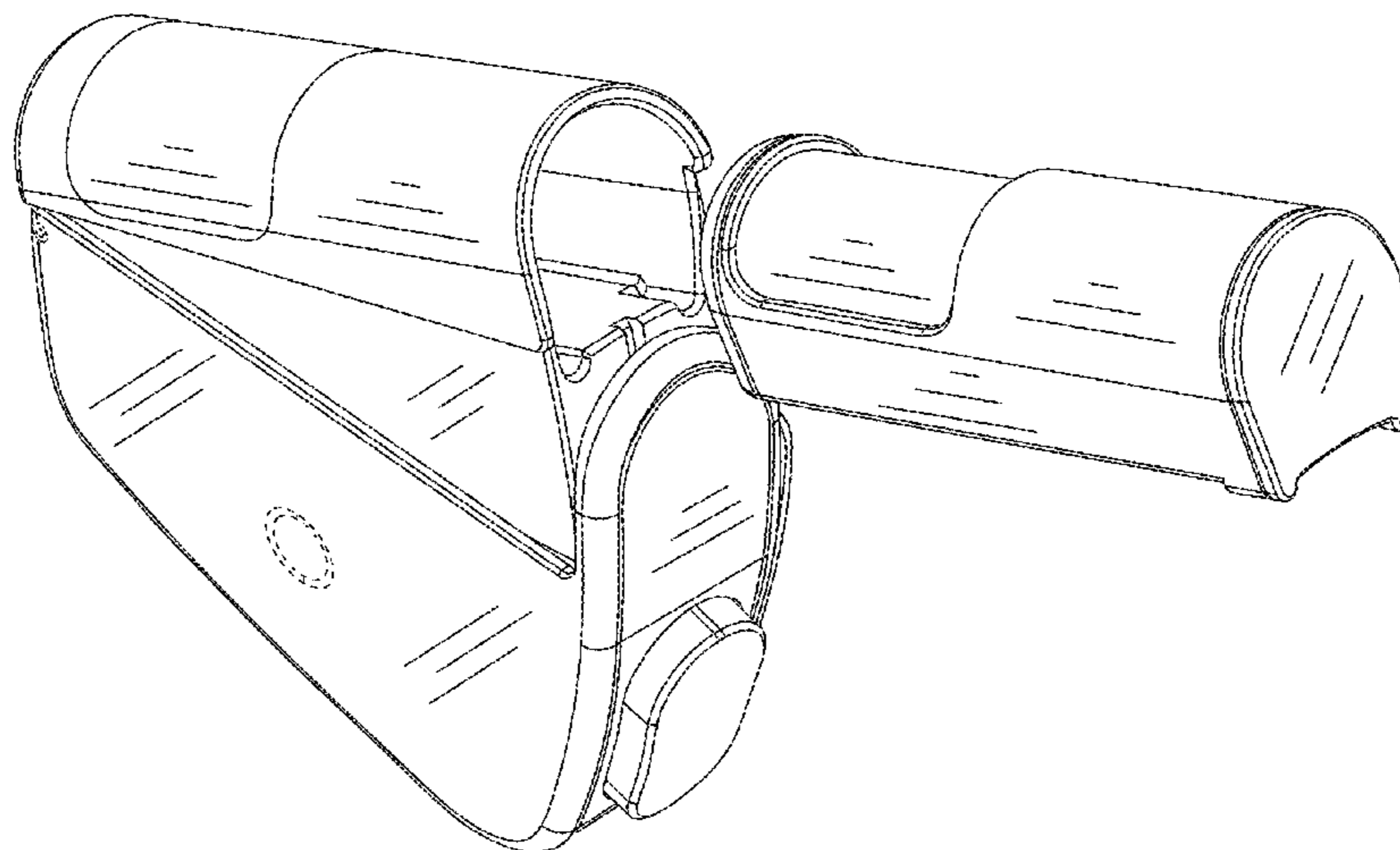
(57) **CLAIM**

The ornamental design for injector and insert for an injector, as shown and described.

**DESCRIPTION**

FIG. 1 is a top perspective view of an injector in a closed position showing our new design;  
FIG. 2 is a front side elevation view thereof;  
FIG. 3 is a rear elevation view thereof;  
FIG. 4 is a left side elevation view thereof;  
FIG. 5 is a right side elevation view thereof;  
FIG. 6 is a top plan view thereof;  
FIG. 7 is a bottom plan view thereof;  
FIG. 8 is a top perspective view of the injector in the opened position with an insert for the injector removed from the injector shown for ease of illustration;  
FIG. 9 is the top perspective view of the injector in the opened position with the insert for the injector partially inserted in the injector for ease of illustration;  
FIG. 10 is the top perspective view of the injector in the opened position with the insert for the injector fully inserted in the injector;  
FIG. 11 is a top perspective view of the insert for an injector which is shown separately for ease of illustration;  
FIG. 12 is a bottom, right perspective view thereof;  
FIG. 13 is a bottom, left perspective view thereof;  
FIG. 14 is a front elevation view thereof;  
FIG. 15 is a back elevation view thereof;  
FIG. 16 is a left side elevation view thereof;  
FIG. 17 is a right side elevation view thereof;  
FIG. 18 is a top plan view thereof; and,  
FIG. 19 is a bottom plan view thereof.  
The broken lines show portions of the design that form no part of the claimed design.

**1 Claim, 19 Drawing Sheets**



(56)

References Cited

U.S. PATENT DOCUMENTS

739,932 A 9/1903 Seiffert  
 745,664 A 12/1903 Reiger  
 748,244 A 12/1903 Willett  
 748,245 A 12/1903 Willey et al.  
 5,137,511 A 8/1992 Reynolds  
 5,364,369 A 11/1994 Reynolds  
 5,503,628 A \* 4/1996 Fetters ..... A61M 5/2033  
 222/325  
 D369,864 S \* 5/1996 Petersen ..... D24/169  
 D421,902 S \* 3/2000 Hill ..... D9/423  
 D444,226 S \* 6/2001 Geert-Jensen ..... D24/110  
 D445,496 S \* 7/2001 Anderson ..... D24/110  
 D446,718 S \* 8/2001 Anderson ..... D9/422  
 D479,332 S \* 9/2003 Leventhal ..... D24/186  
 D540,162 S \* 4/2007 Chin ..... D9/417  
 D544,092 S \* 6/2007 Lewis ..... D24/108  
 D545,438 S \* 6/2007 Huang ..... D24/186  
 D547,859 S \* 7/2007 Choi ..... D24/113  
 D554,266 S \* 10/2007 Striepe ..... D24/186  
 D554,987 S \* 11/2007 Terrasi ..... D9/424  
 D578,386 S \* 10/2008 Silvenis ..... D3/203.1  
 D603,968 S \* 11/2009 Brefka ..... D24/186  
 D640,920 S \* 7/2011 Giraud ..... D3/203.2  
 D685,083 S \* 6/2013 Schneider ..... D24/108  
 D687,141 S \* 7/2013 Schneider ..... D24/108  
 D687,536 S \* 8/2013 Guarraia ..... D24/108  
 D700,343 S \* 2/2014 Liu ..... D24/186

D708,316 S \* 7/2014 Bertinetti ..... D24/110  
 9,149,582 B2 \* 10/2015 Sugimoto ..... A61M 5/20  
 D753,810 S \* 4/2016 Chang ..... D24/108  
 D755,372 S \* 5/2016 Masumoto ..... D24/130  
 D755,950 S \* 5/2016 Meliniotis ..... D24/110  
 D759,254 S \* 6/2016 Knieriem ..... D24/186  
 D776,262 S \* 1/2017 Tyce ..... D24/113  
 D776,265 S \* 1/2017 Tyce ..... D24/113  
 2010/0210970 A1 \* 8/2010 Horikawa ..... A61B 5/150022  
 600/583  
 2012/0215179 A1 \* 8/2012 Halili ..... A61M 5/162  
 604/247  
 2015/0031974 A1 \* 1/2015 Richter ..... A61B 5/14532  
 600/365  
 2015/0038939 A1 \* 2/2015 Estes ..... A61M 5/14244  
 604/500  
 2015/0080842 A1 \* 3/2015 Mathys ..... A61M 5/1452  
 604/500  
 2015/0283321 A1 \* 10/2015 Dang ..... A61M 5/14244  
 604/151  
 2015/0359965 A1 \* 12/2015 O'Connor ..... A61M 5/141  
 604/123  
 2016/0082184 A1 \* 3/2016 Hanagan ..... A61M 5/14228  
 604/151  
 2016/0250422 A1 \* 9/2016 Koch ..... A61M 5/1454  
 604/110  
 2017/0028132 A1 \* 2/2017 Cronenberg ..... A61M 5/1454  
 2017/0072140 A1 \* 3/2017 Bazargan ..... A61M 5/1456

\* cited by examiner

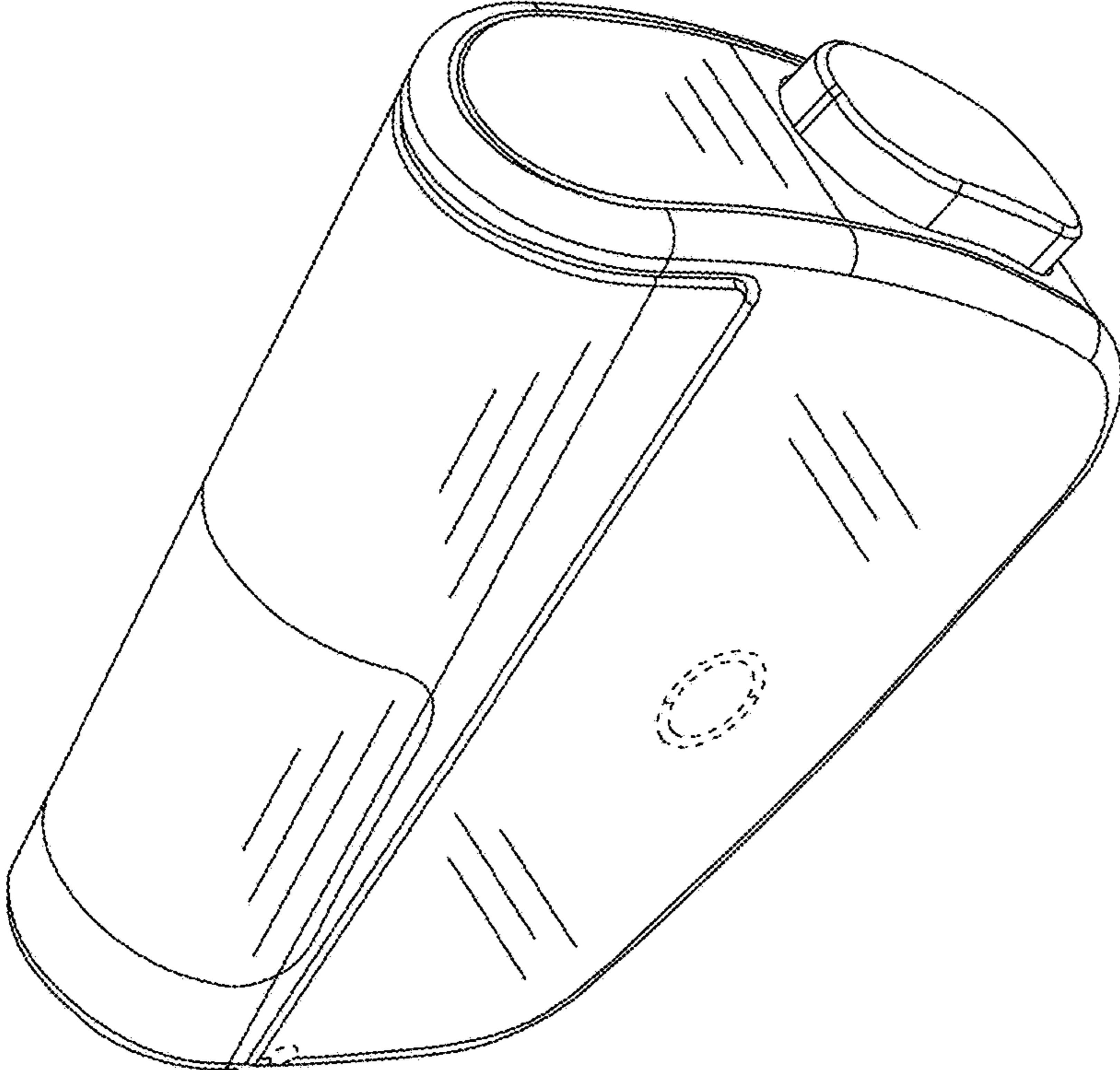


FIG. 1

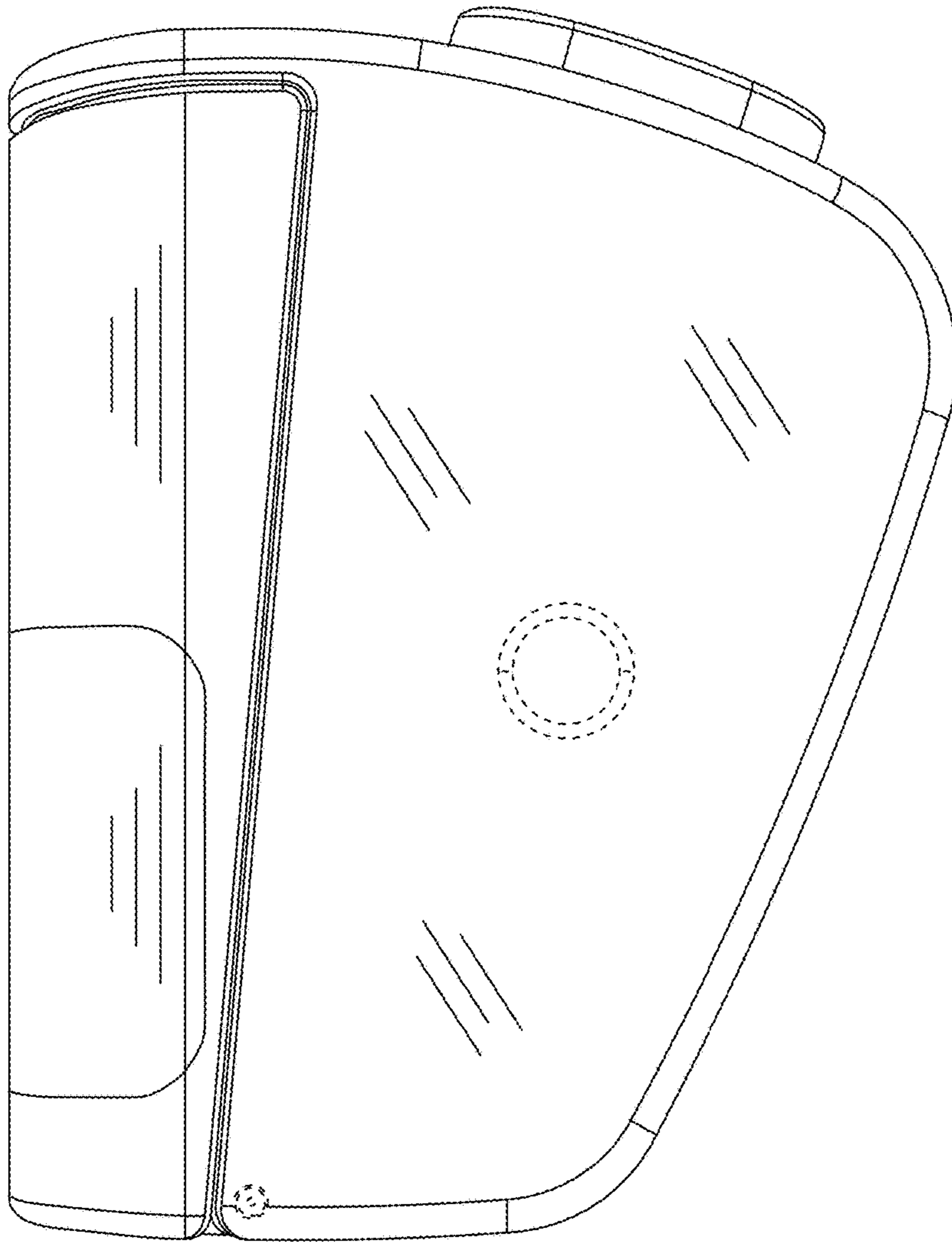


FIG. 2



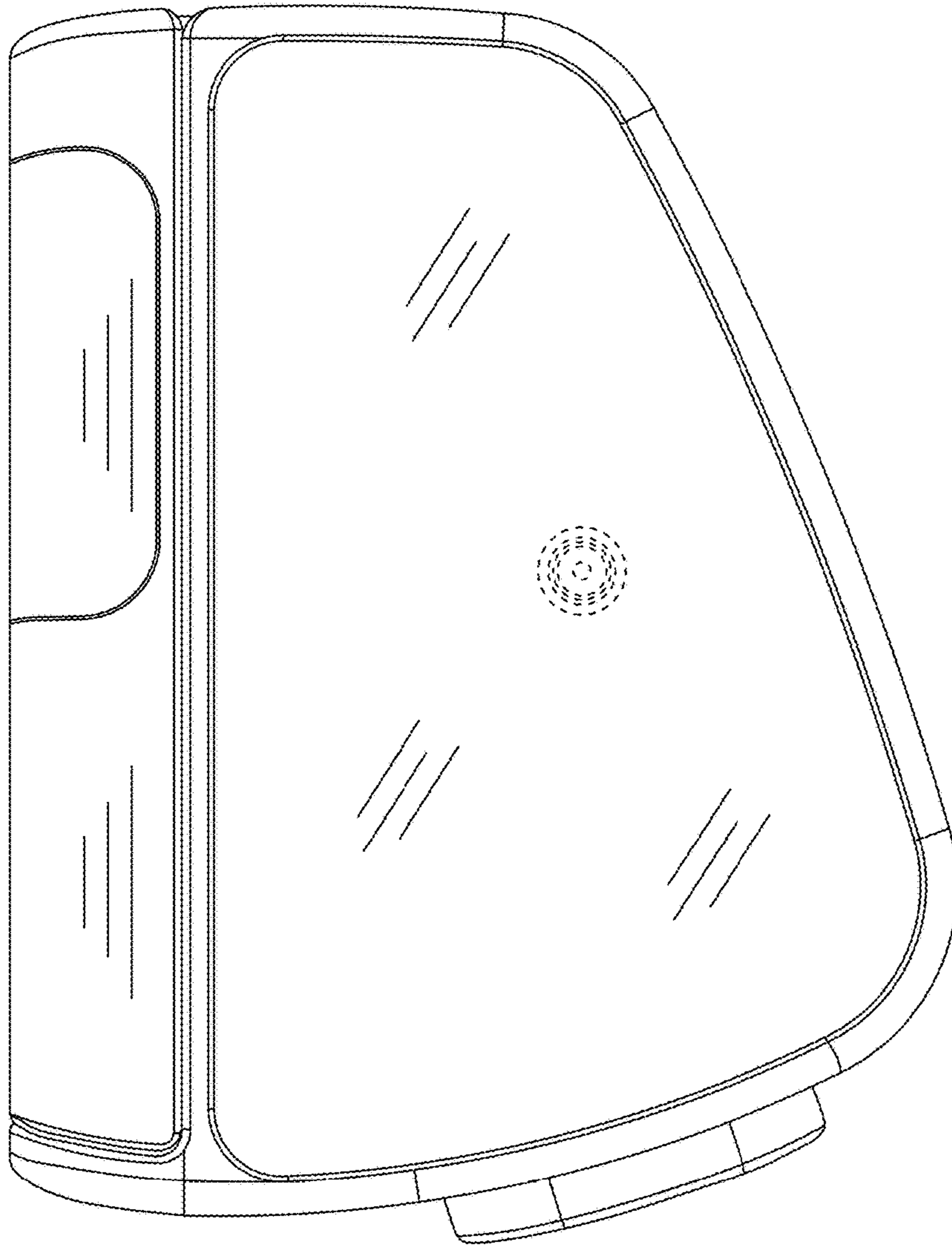


FIG. 3

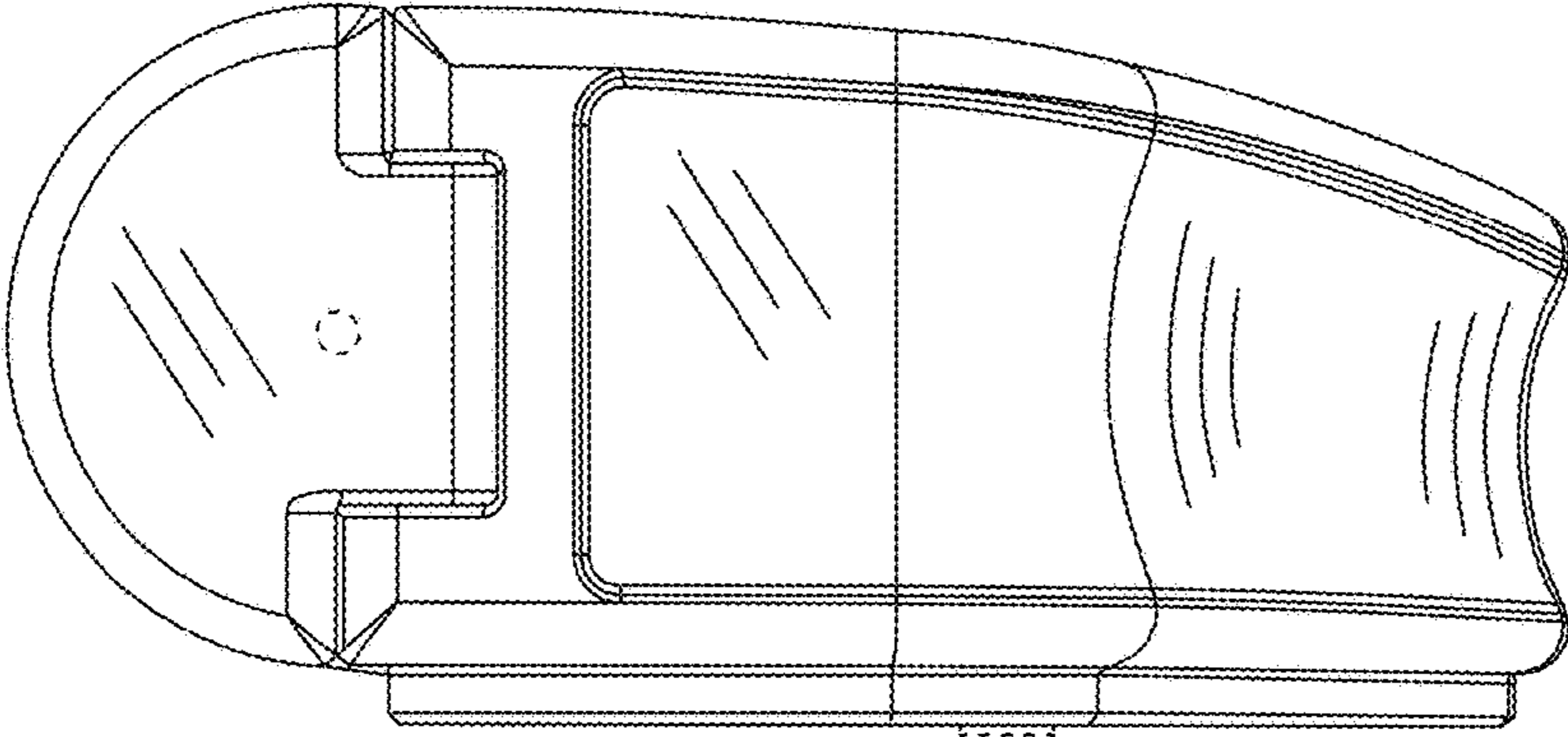


FIG. 4

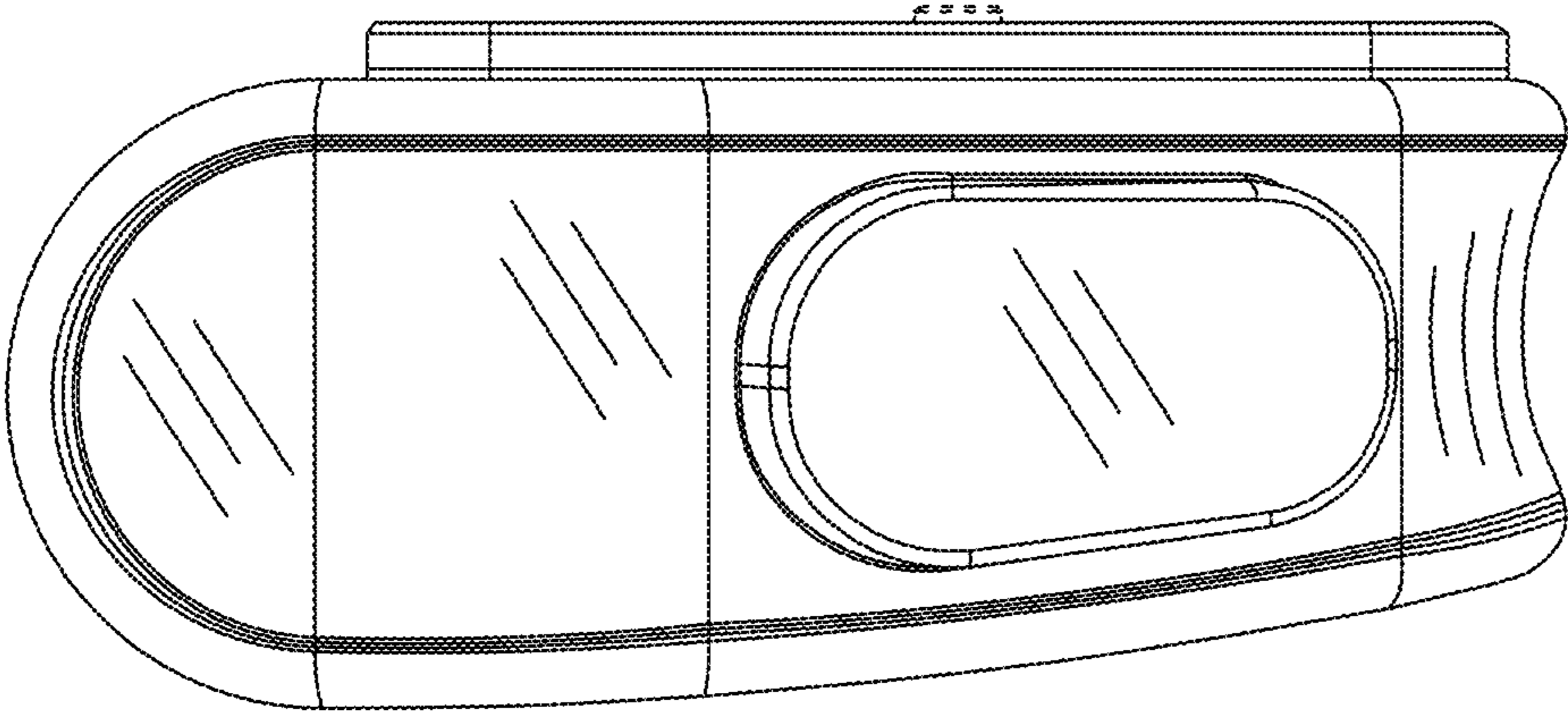


FIG. 5

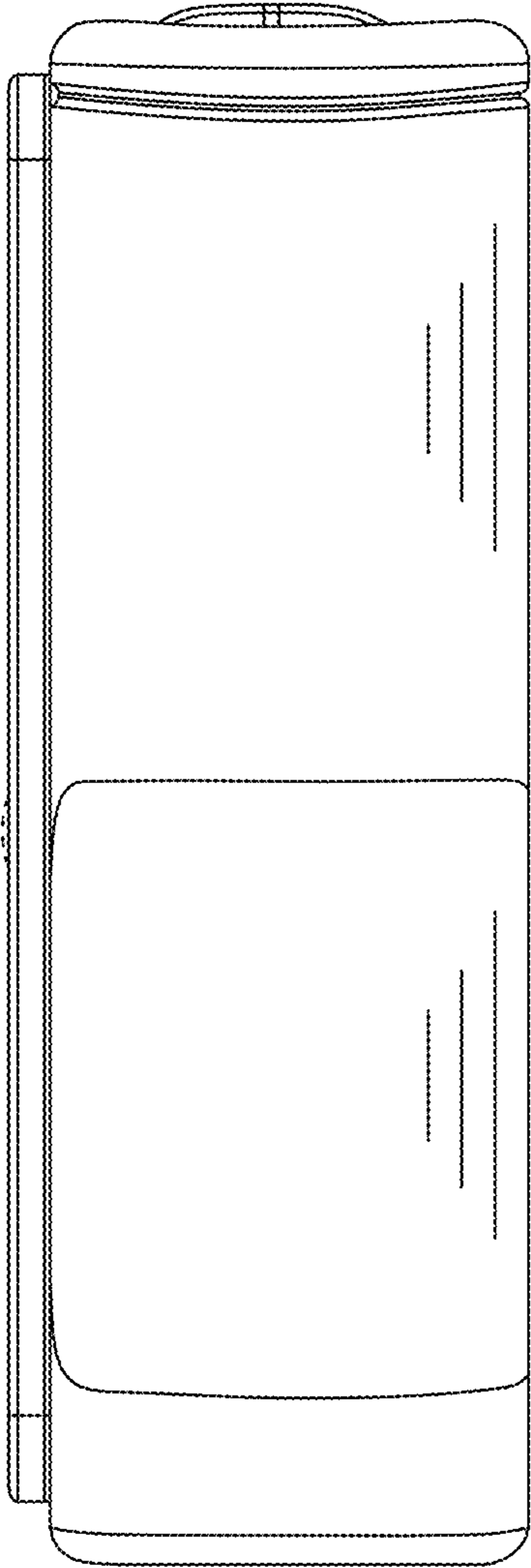


FIG. 6



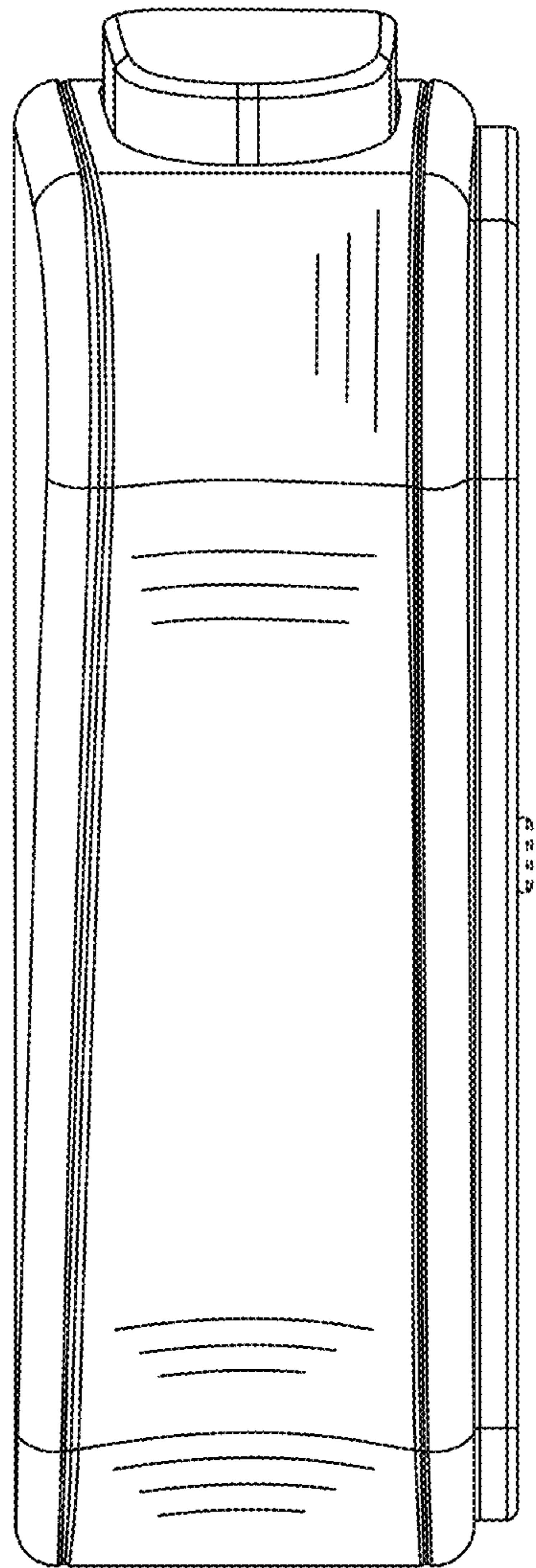


FIG. 7

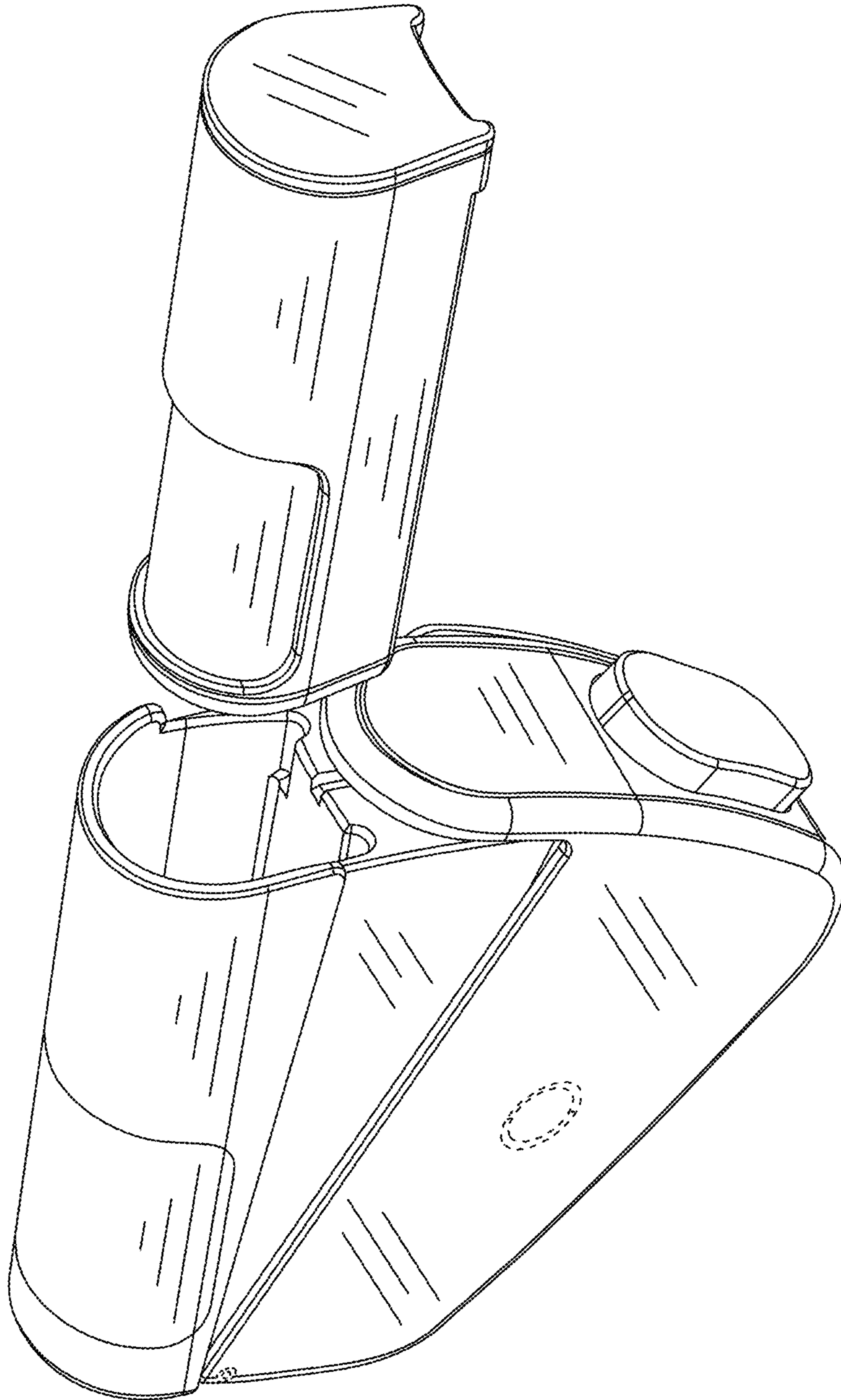


FIG. 8

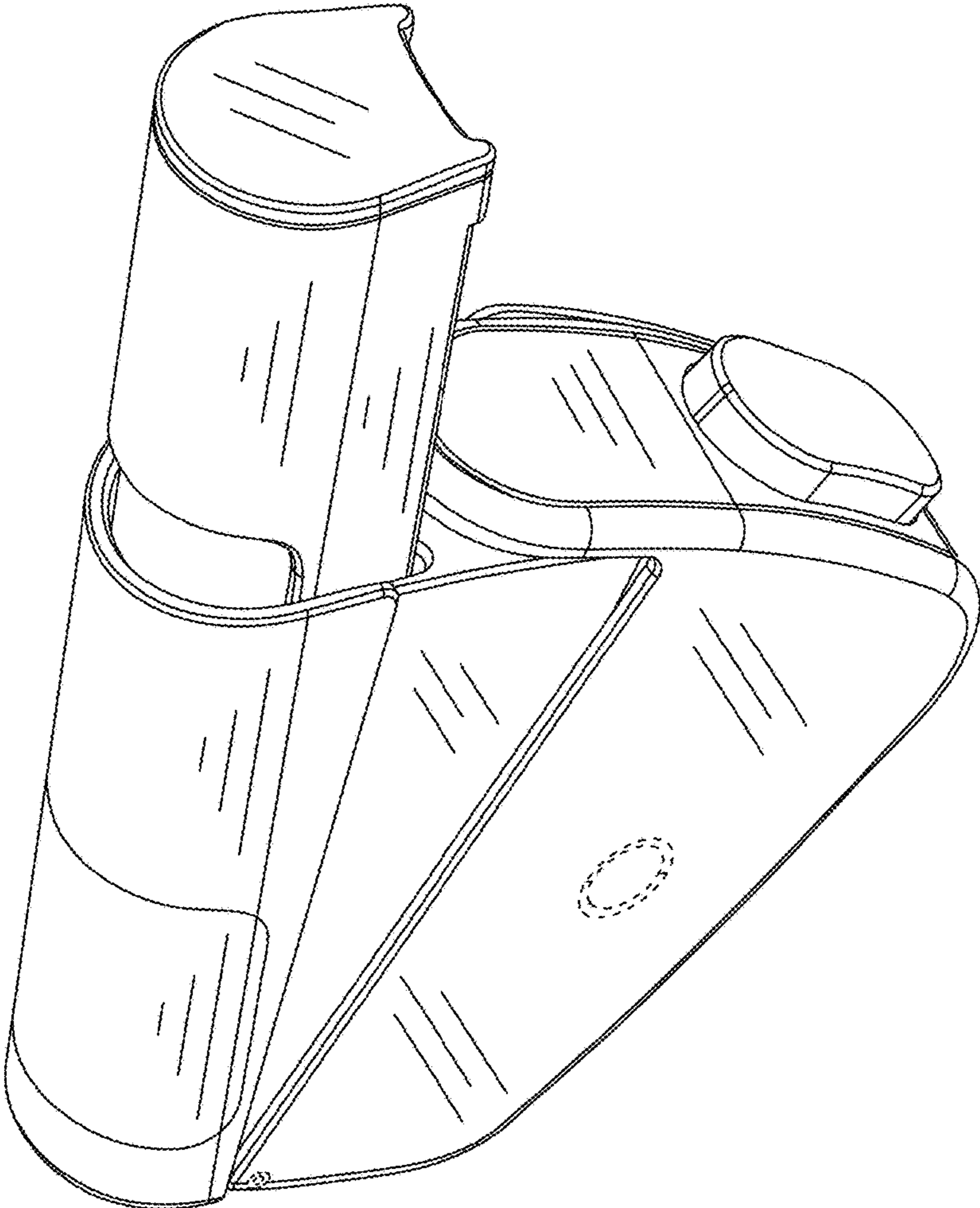


FIG. 9

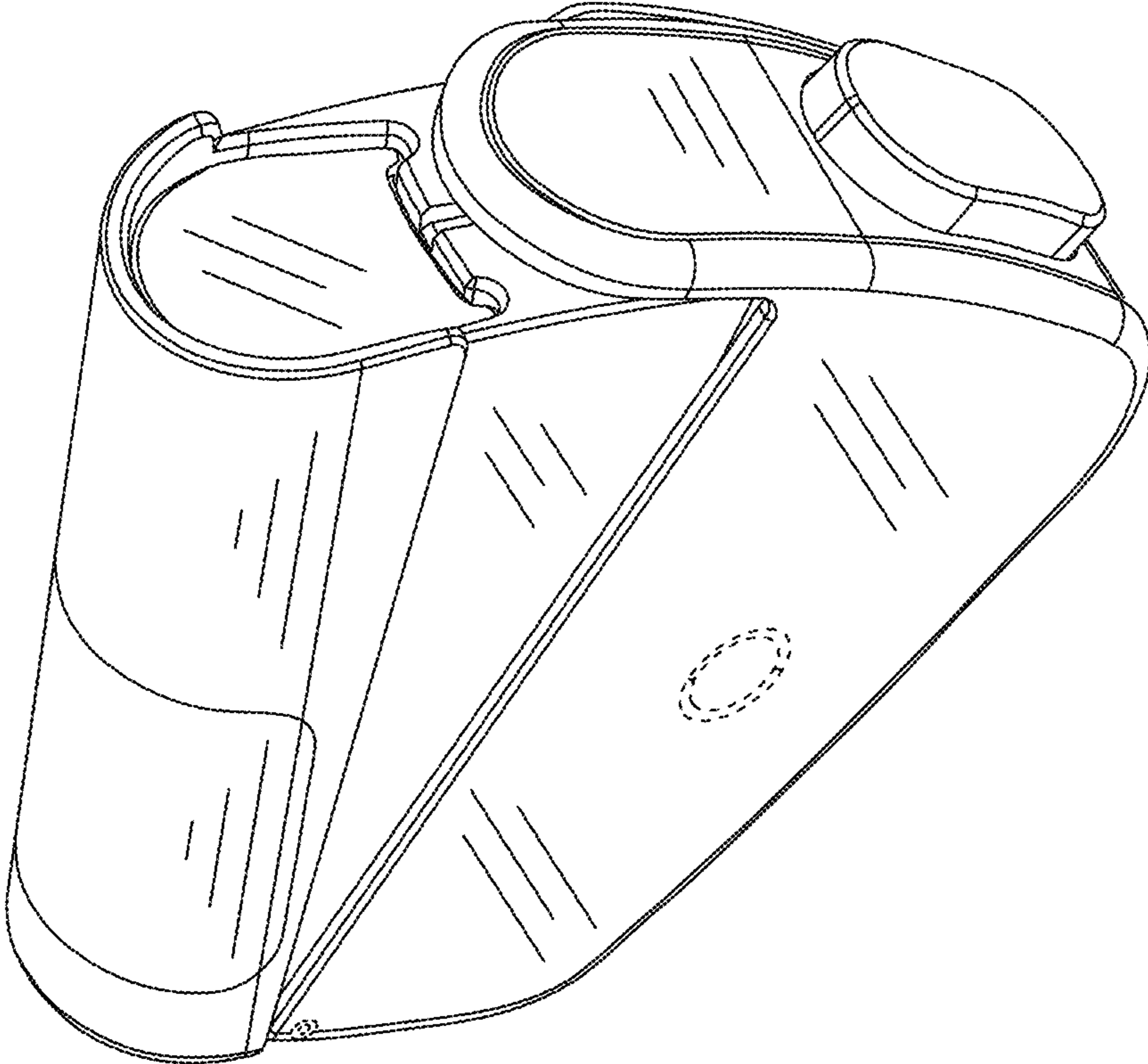


FIG. 10

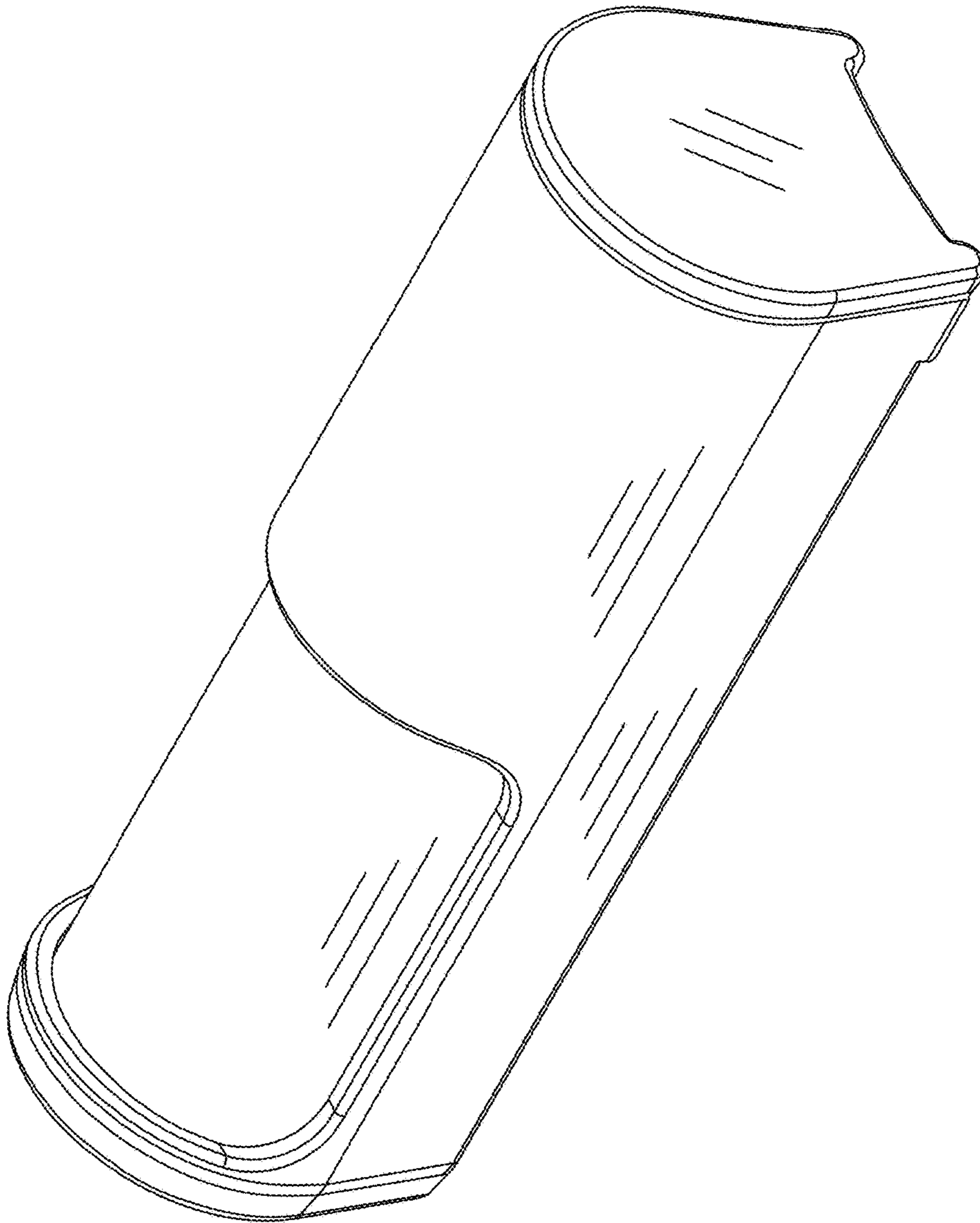


FIG. 11



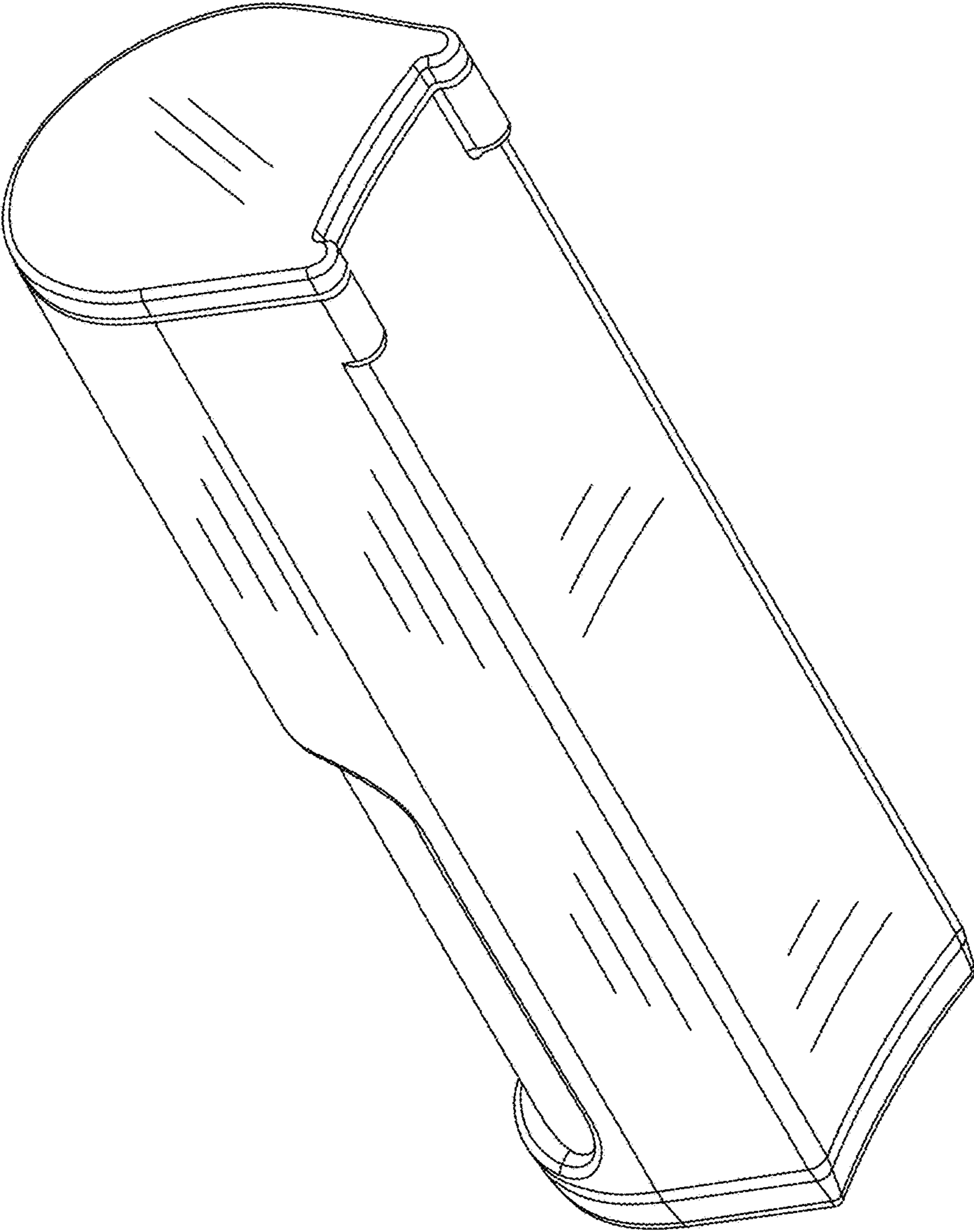


FIG. 12

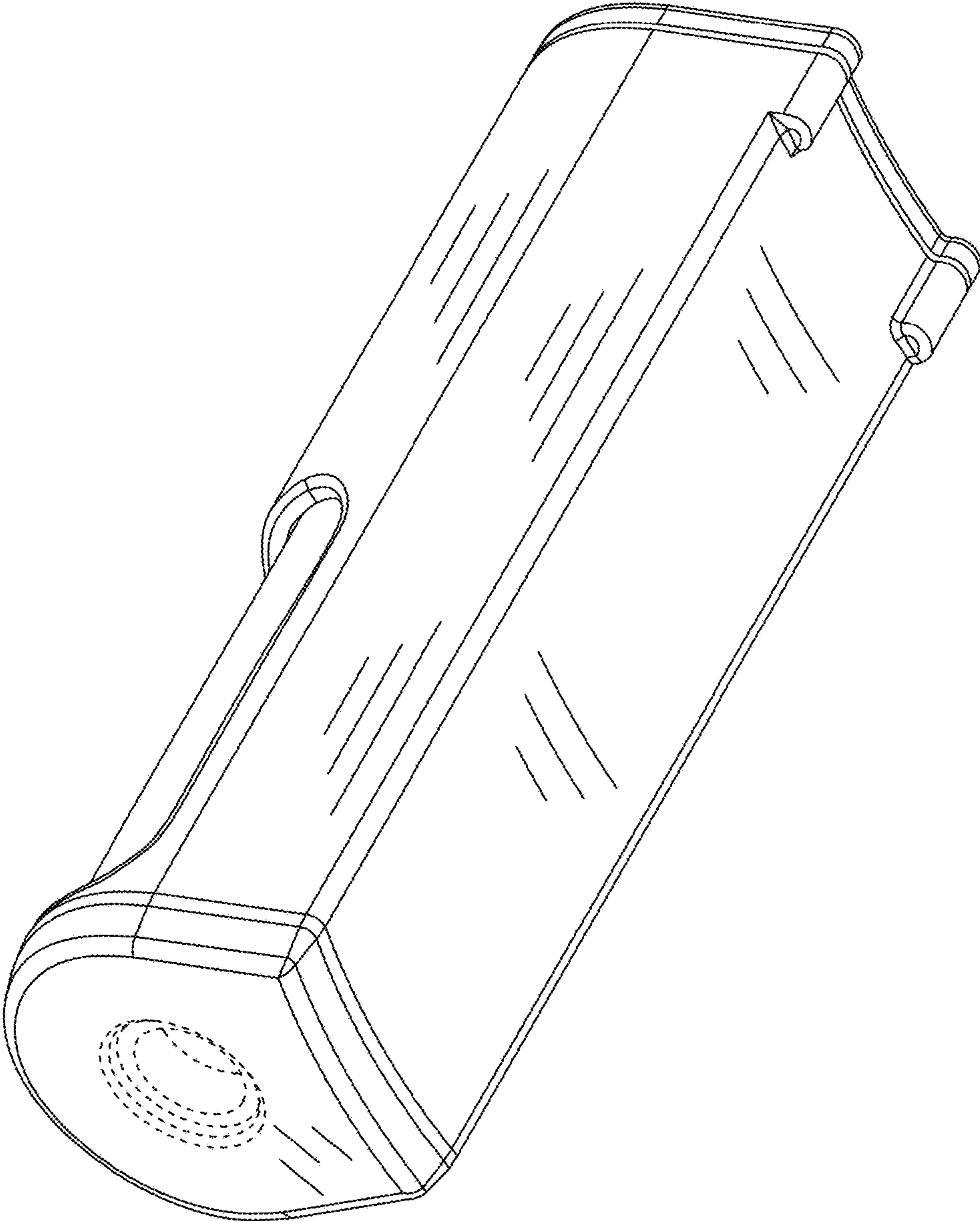


FIG. 13

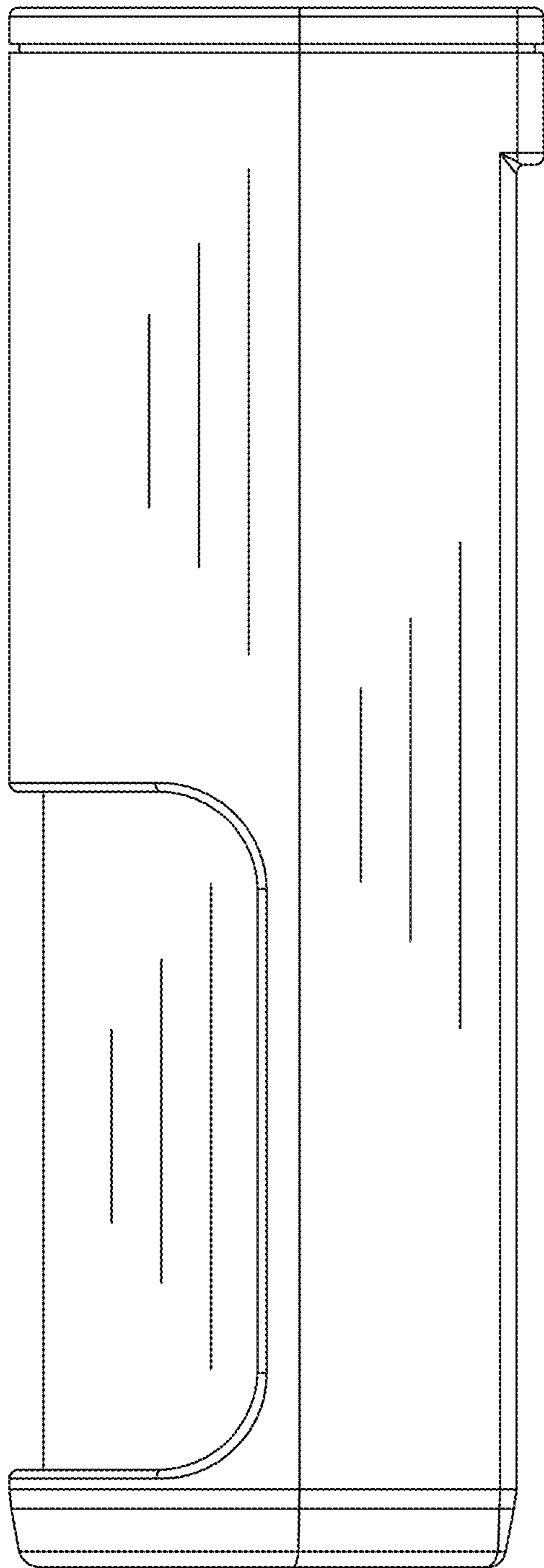


FIG. 14

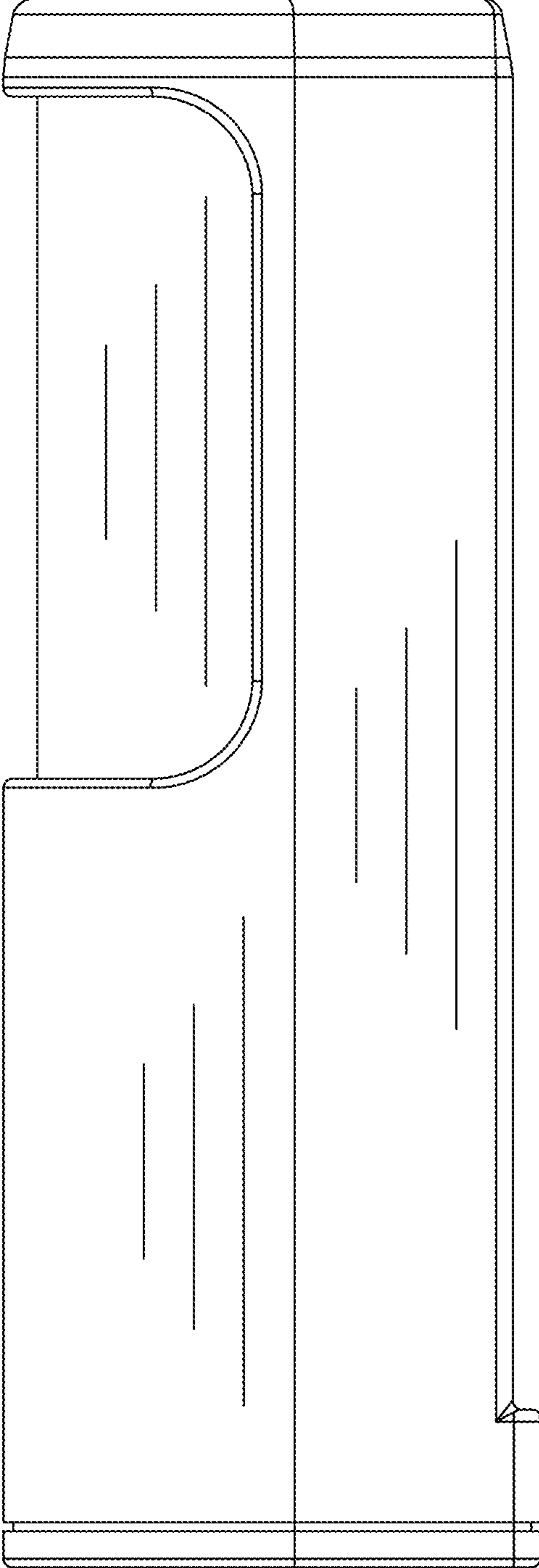


FIG. 15

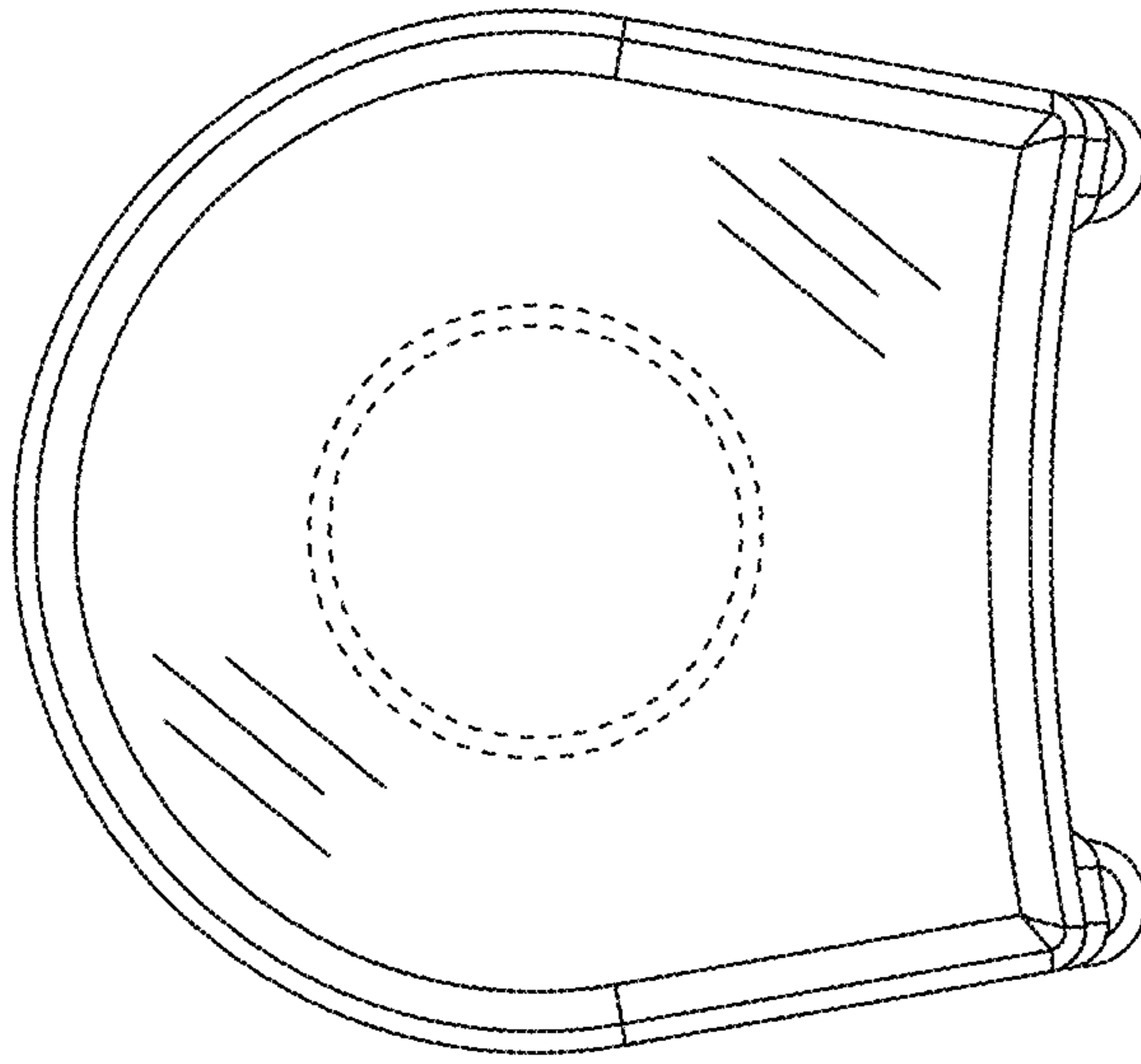


FIG. 16



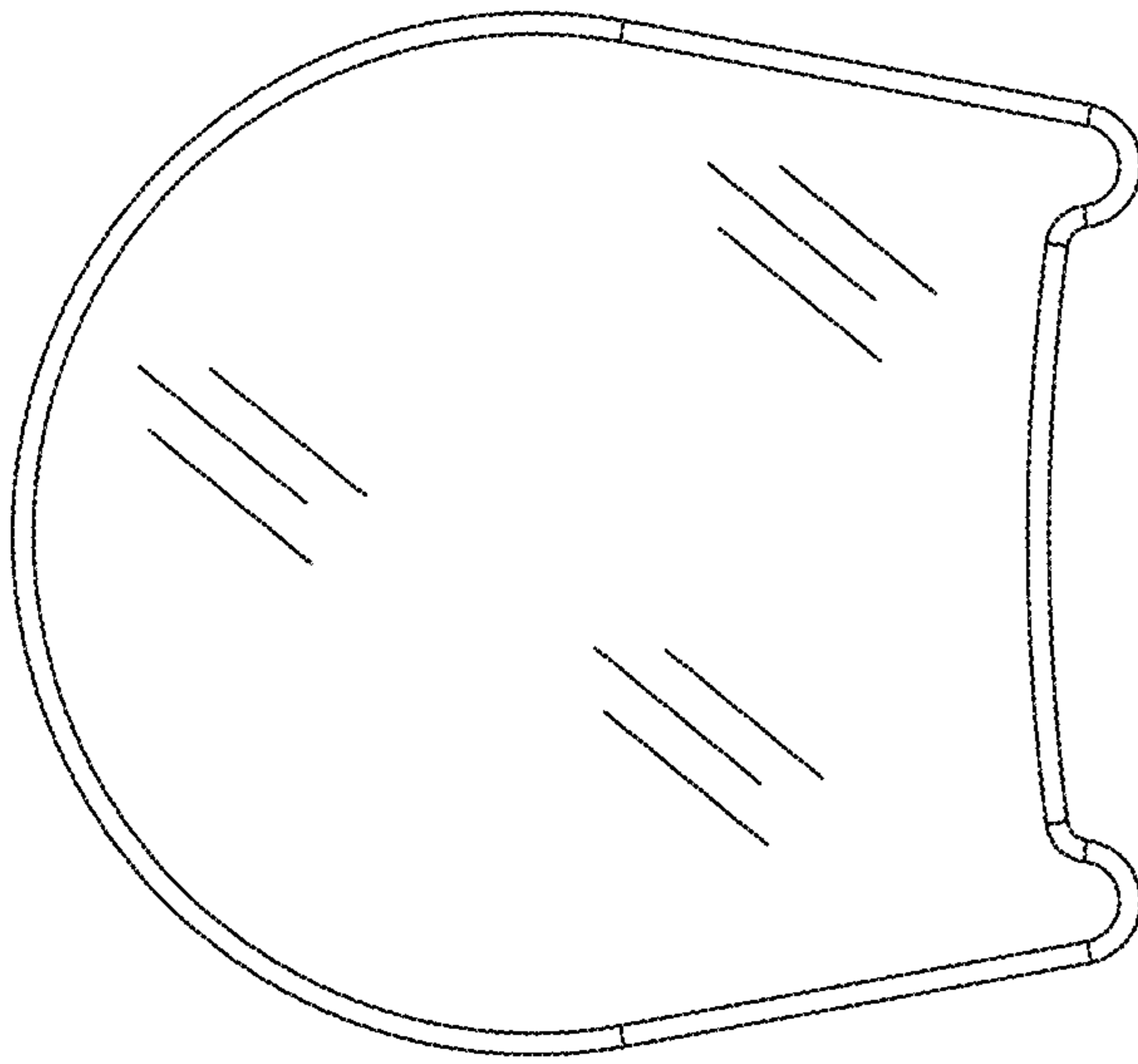


FIG. 17

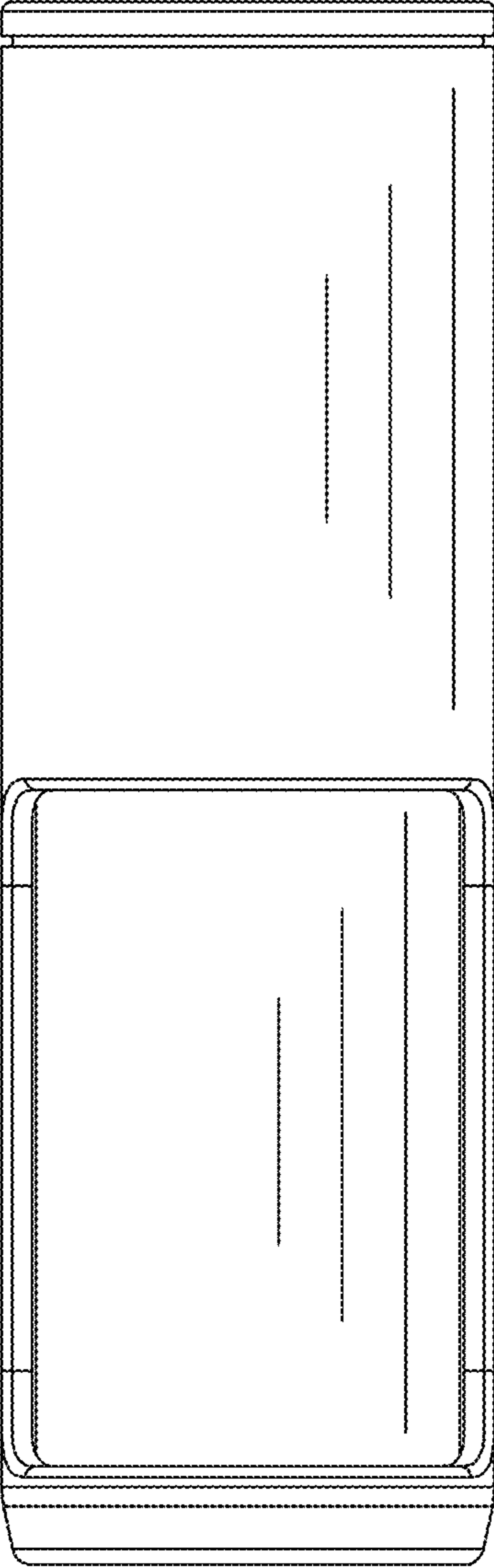


FIG. 18

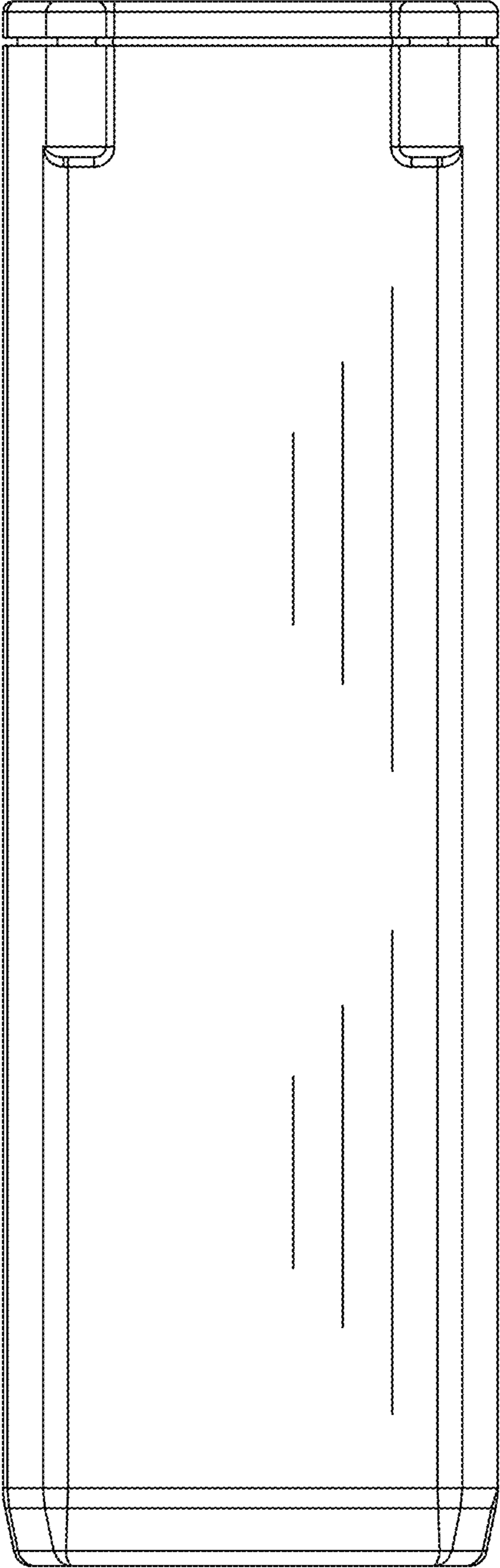


FIG. 19