



US00D843561S

(12) **United States Design Patent**
Bonato et al.

(10) **Patent No.:** **US D843,561 S**
(45) **Date of Patent:** **** Mar. 19, 2019**

- (54) **NASAL ORAL CANNULA**
- (71) Applicant: **BRAEBON Medical Corporation,**
Ottawa (CA)
- (72) Inventors: **Richard Anthony Bonato, Carp (CA);**
Jacques Sibille, L' Ange Gardien (CA);
Donald Carmon Bradley, Ottawa (CA)
- (73) Assignee: **BRAEBON Medical Corporation,**
Ottawa (CA)

8,297,284 B2 * 10/2012 Lee A61M 16/0666
128/200.26
8,887,919 B2 * 11/2014 Turner A61M 16/0666
128/207.18
D752,735 S * 3/2016 Scampoli D24/110.5
D758,597 S * 6/2016 Abramowitz D24/189
2003/0034030 A1 * 2/2003 Carlucci A61M 16/0683
128/200.24
2003/0168067 A1 * 9/2003 Dougill A61M 16/0666
128/207.18
2011/0303224 A1 * 12/2011 Widgerow A61M 16/0666
128/207.18
2011/0315148 A1 * 12/2011 Widgerow A61M 16/0666
128/207.18

(**) Term: **15 Years**

* cited by examiner

(21) Appl. No.: **29/605,660**

Primary Examiner — David G Muller

(22) Filed: **May 29, 2017**

Assistant Examiner — Nathan M Johnston

(51) **LOC (11) Cl.** **29-02**

(74) *Attorney, Agent, or Firm* — Borden Ladner Gervais LLP

(52) **U.S. Cl.**
USPC **D24/110.5**

(57) **CLAIM**

(58) **Field of Classification Search**
USPC D24/110, 110.5, 110.6; 128/200.26,
128/204.23, 207.18, 207.13, 206.16, 911,
128/206.11; 425/275; 600/529, 364
CPC A61M 16/0666; A61M 2210/0618; A61M
2210/0625; A61M 15/08; A61M 16/00
See application file for complete search history.

The ornamental design for a nasal oral cannula, as shown and described.

DESCRIPTION

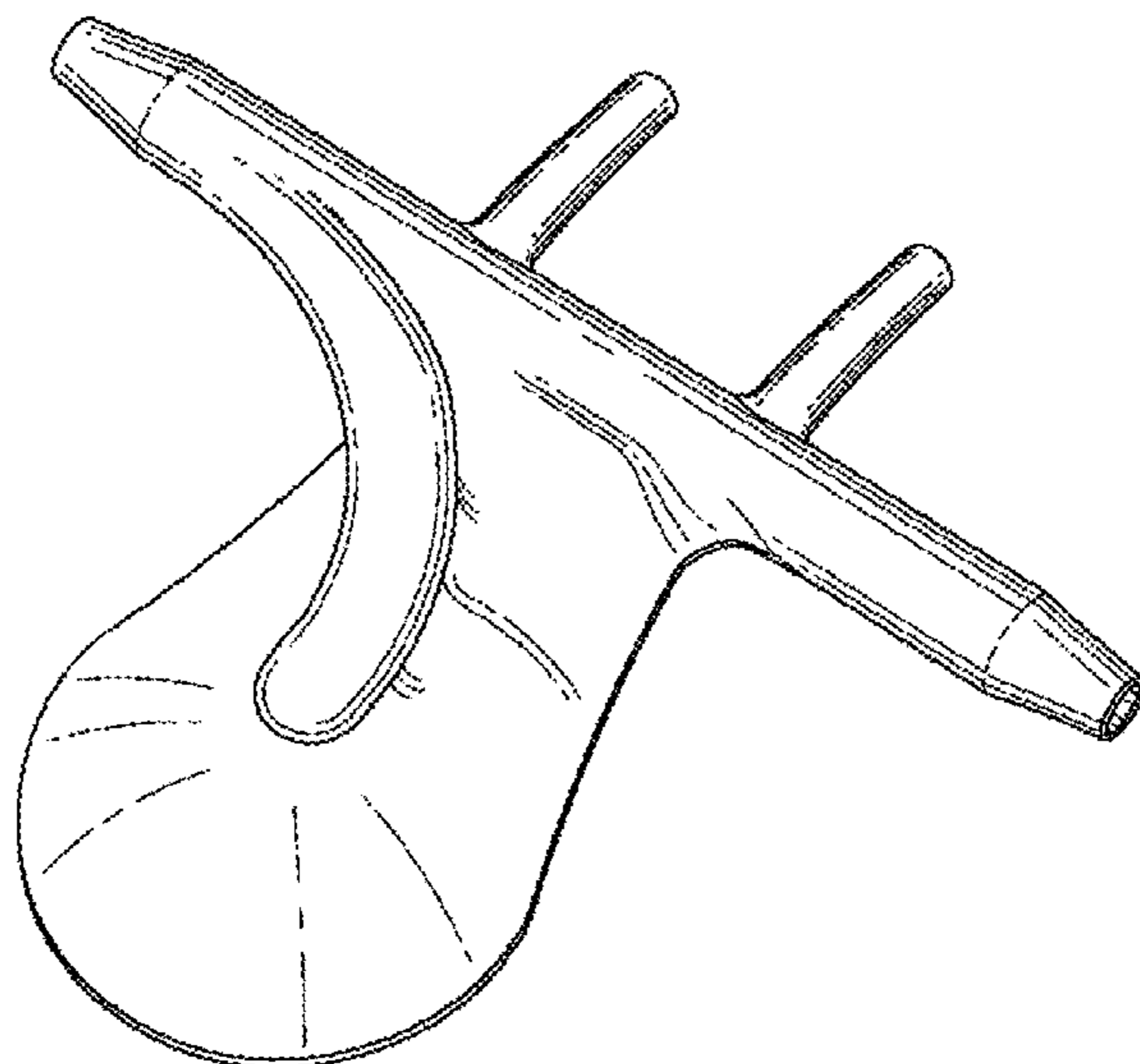
(56) **References Cited**

U.S. PATENT DOCUMENTS

- 5,335,656 A * 8/1994 Bowe A61B 5/097
128/206.11
- D557,802 S * 12/2007 Miceli, Jr. D24/110.6
- D559,383 S * 1/2008 Nalagatla D24/110.5
- D627,059 S * 11/2010 Wood D24/110.5
- D637,285 S * 5/2011 Bradley D24/110.5

FIG. 1 is a top perspective view of the nasal oral cannula of the present invention;
FIG. 2 is a top plan view thereof;
FIG. 3 is a bottom plan view thereof;
FIG. 4 is a front elevation view thereof;
FIG. 5 is a rear elevation view thereof;
FIG. 6 is a left side elevation view thereof; and,
FIG. 7 is a right side elevation view thereof.
Broken lines are used to show portions of the nasal oral cannula forming no part of the claimed design.

1 Claim, 7 Drawing Sheets



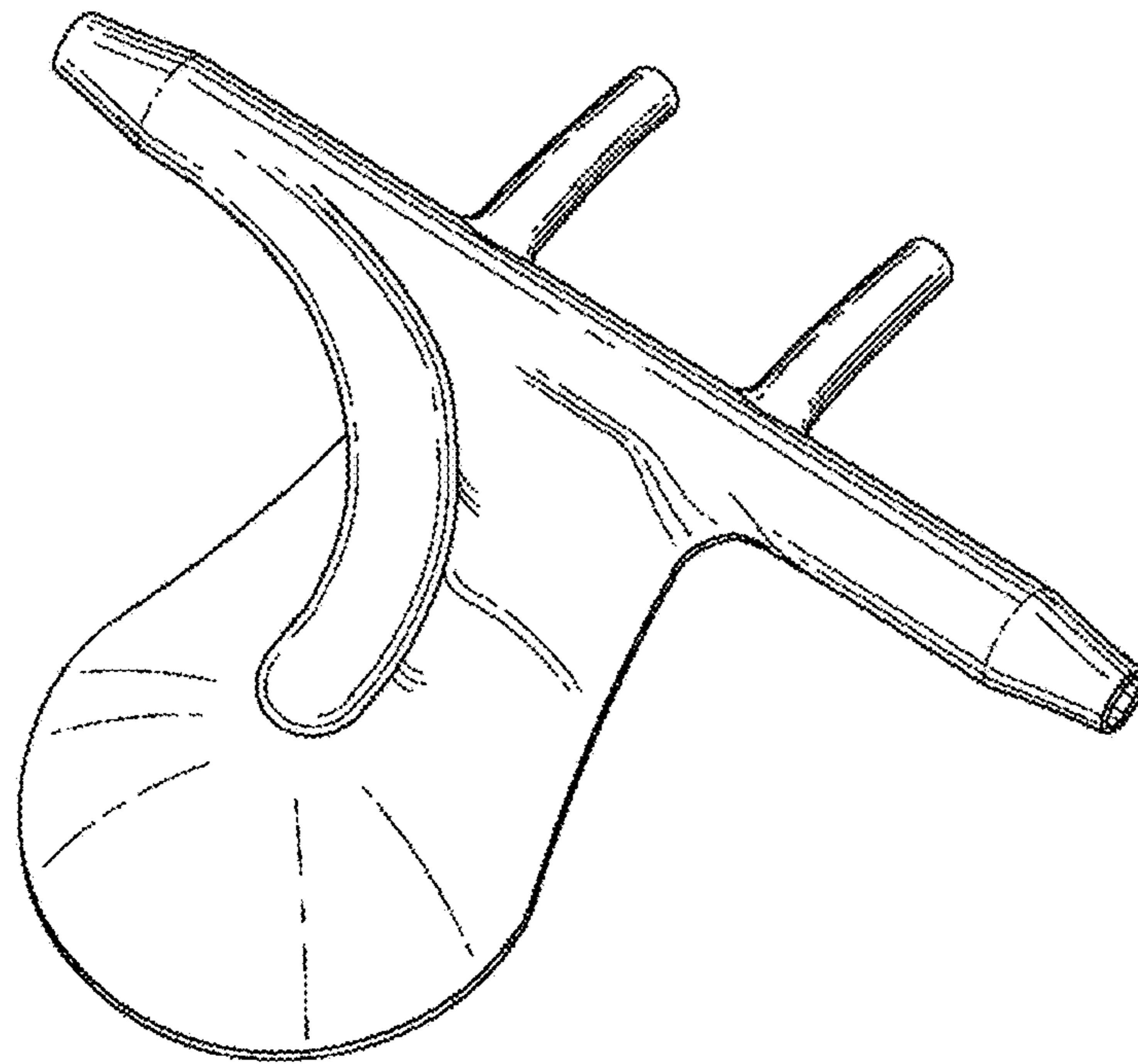


FIG. 1

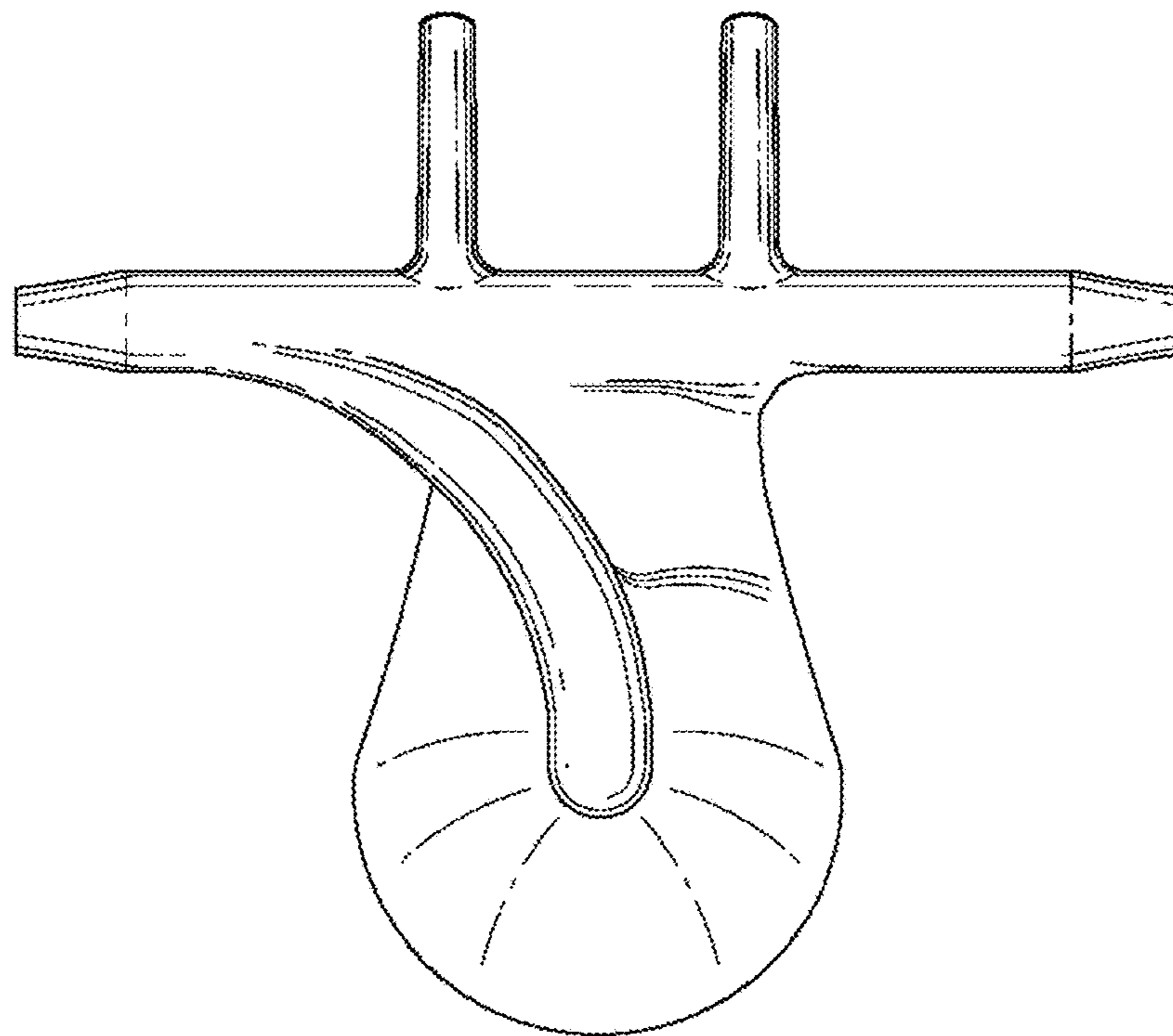


FIG. 2

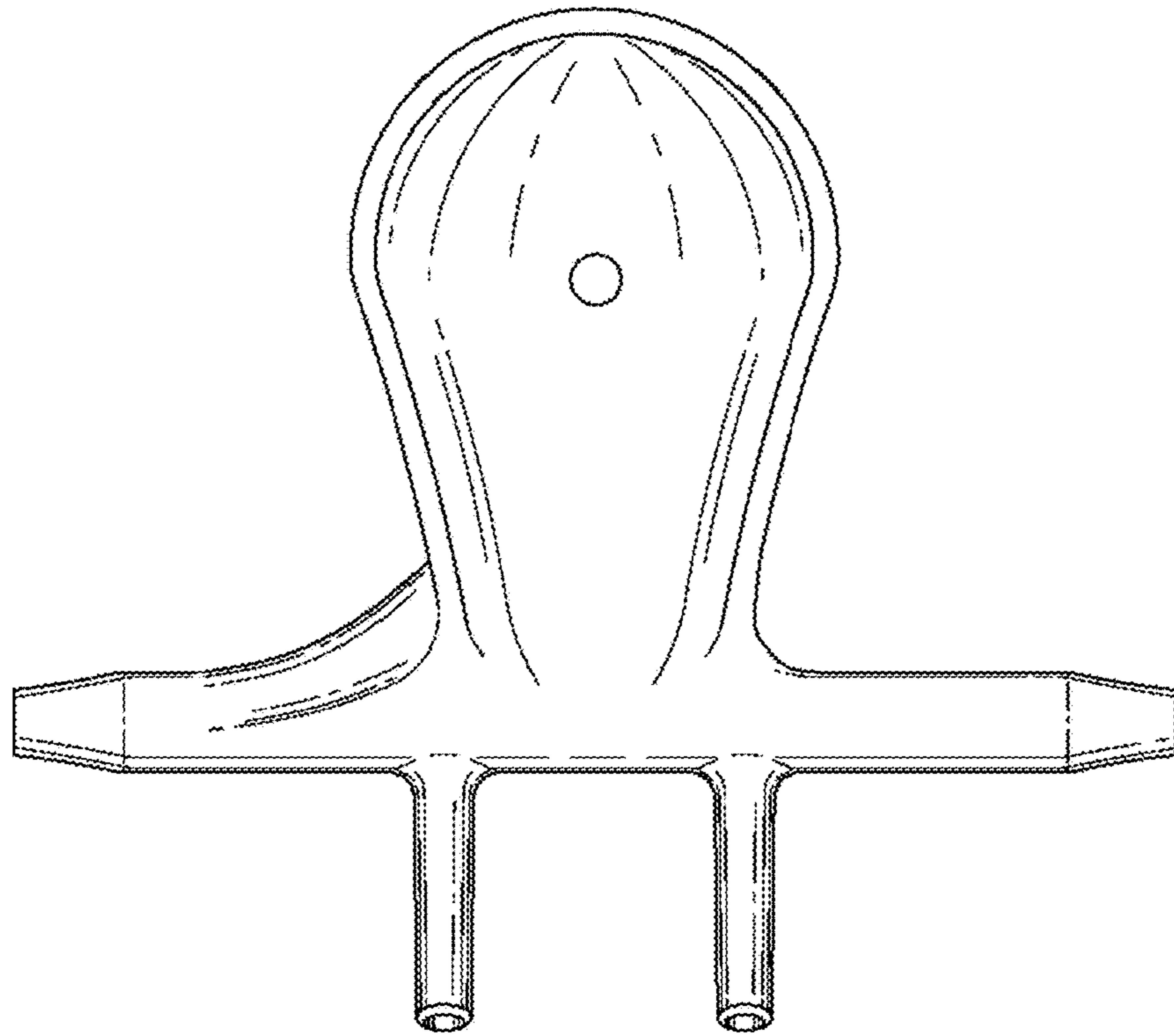


FIG. 3

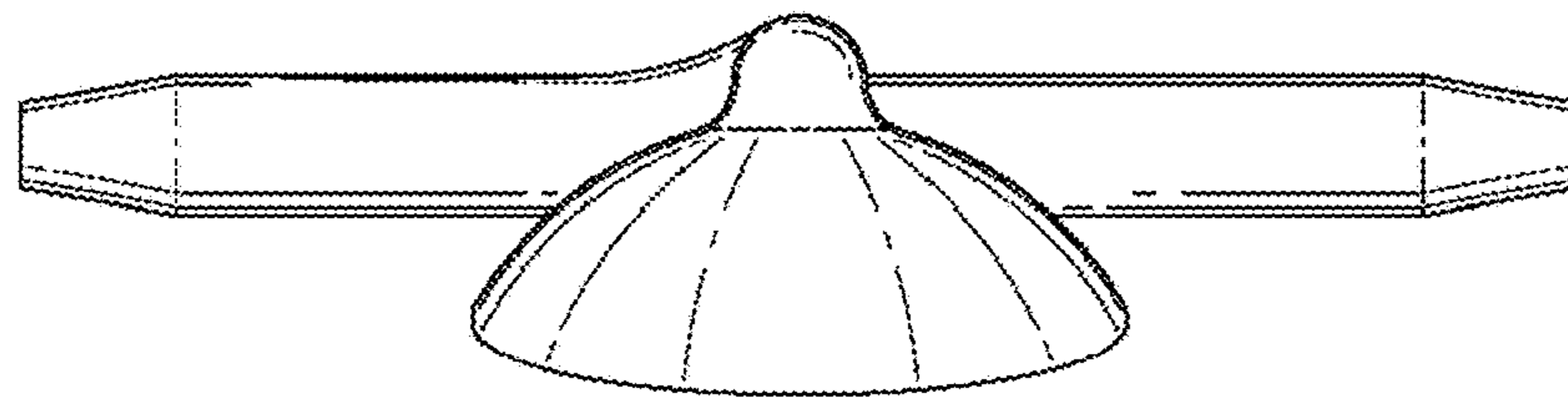


FIG. 4

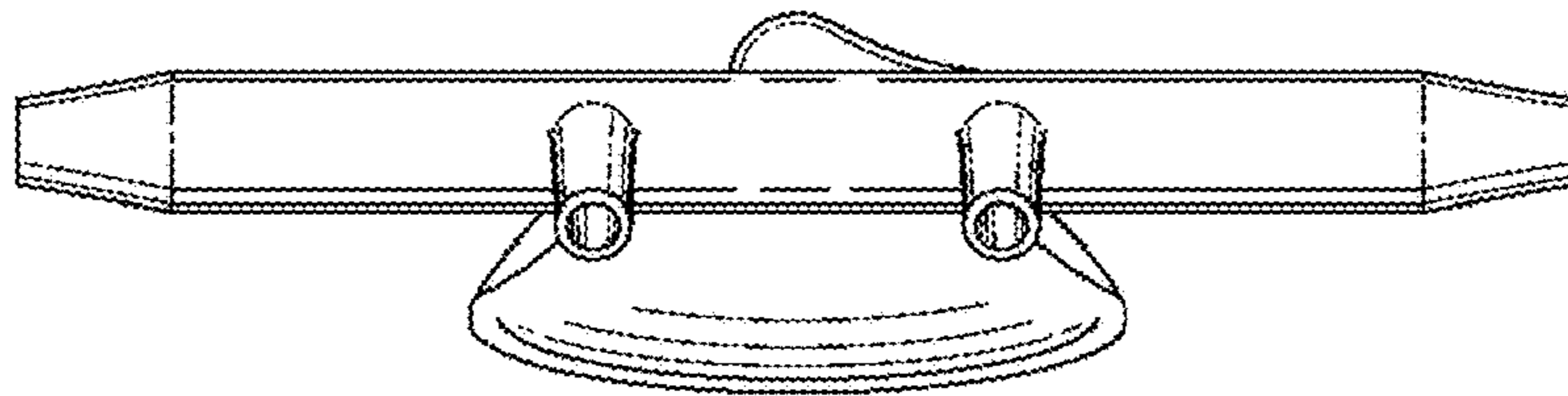


FIG. 5

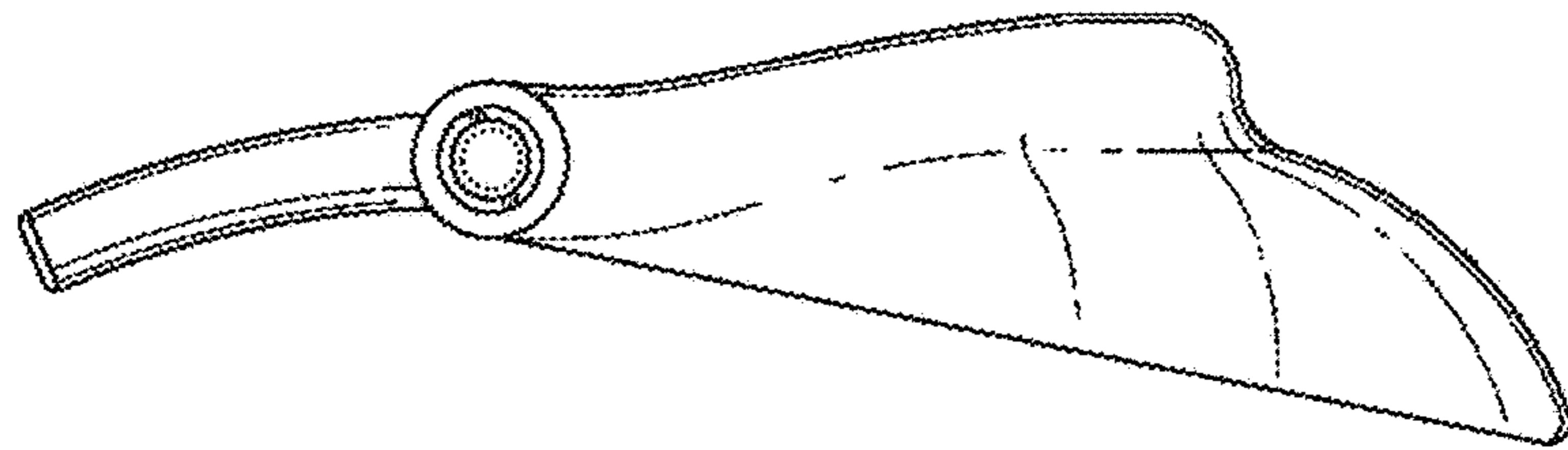


FIG. 6

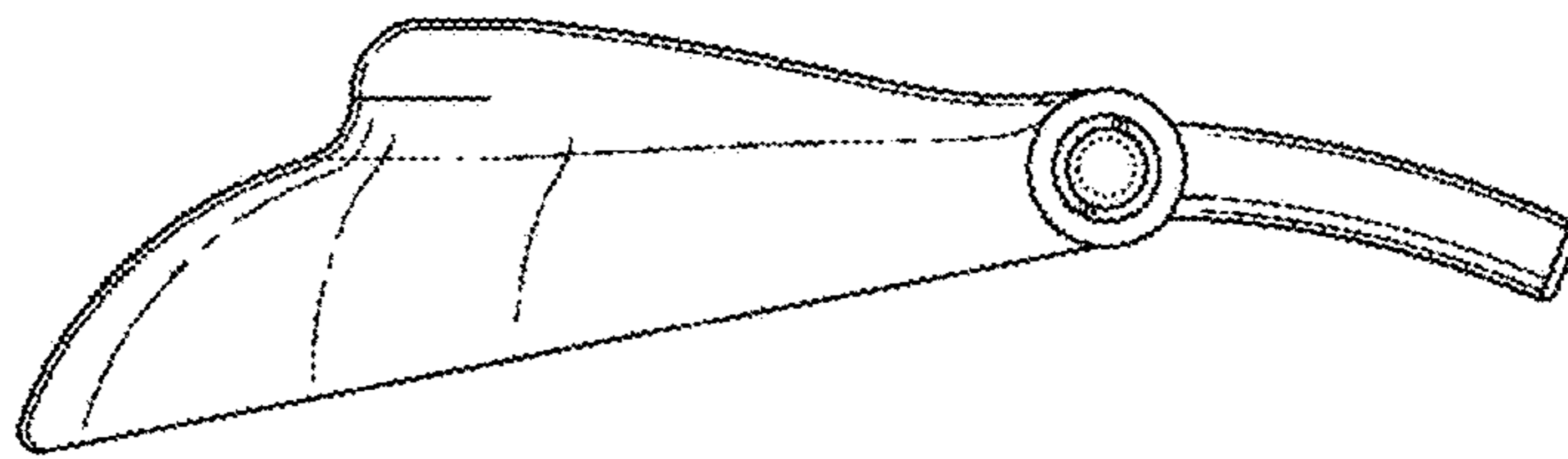


FIG. 7