



US00D843558S

(12) **United States Design Patent**  
**Andersson**

(10) **Patent No.:** **US D843,558 S**  
(45) **Date of Patent:** **\*\* Mar. 19, 2019**

- (54) **COLLAR**
- (71) Applicant: **FUMEX AB**, Skellefteå (SE)
- (72) Inventor: **Patrik Andersson**, Skellefteå (SE)
- (73) Assignee: **FUMEX AB**, Skellefteå (SE)
- (\*\*) Term: **15 Years**
- (21) Appl. No.: **29/600,198**
- (22) Filed: **Apr. 10, 2017**

D492,579 S *	7/2004	Hodjat	.....	D8/360
D569,497 S *	5/2008	Hoff	.....	D23/418
D573,235 S *	7/2008	Downey	.....	D23/254
D596,919 S *	7/2009	Vickers	.....	D8/331
D637,277 S *	5/2011	Waters	.....	D23/386
D641,802 S *	7/2011	Van Dan Elzen	.....	D21/464
D664,246 S *	7/2012	Irvin	.....	A61L 9/125
				D23/356
D668,751 S *	10/2012	Fitton	.....	D23/365
D670,561 S *	11/2012	Amend	.....	D9/456
D684,252 S *	6/2013	Okada	.....	D23/411
D693,774 S *	11/2013	Scime	.....	D13/155
D697,782 S *	1/2014	Lee	.....	D8/107
D703,523 S *	4/2014	Kashimura	.....	D8/397

(Continued)

(30) **Foreign Application Priority Data**

Oct. 9, 2016 (CN) ..... 2016 3 0495271

(51) **LOC (11) Cl.** ..... **23-03**

(52) **U.S. Cl.**  
USPC ..... **D23/386**

(58) **Field of Classification Search**  
USPC ..... D23/386, 388, 392, 393, 397, 399, 400,  
D23/406, 411, 412; D8/321  
CPC . A61L 9/125; B60H 1/345; B60S 1/54; E04B  
1/92; E04B 7/02; F24F 13/06; F24F  
1/0011; F24F 1/027; F24F 13/02; F24F  
13/10; F24F 13/1426; F24F 13/15; F24F  
13/20; E04D 13/10; F04D 25/14; F16L  
3/003

See application file for complete search history.

(56) **References Cited**

**U.S. PATENT DOCUMENTS**

733,737 A *	7/1903	Noyes	.....	F24F 13/1426
				126/295
D305,752 S *	1/1990	Chow	.....	D13/100
D355,253 S *	2/1995	Jansen	.....	D15/5
5,439,350 A *	8/1995	Yu	.....	F04D 25/088
				310/89
6,050,892 A *	4/2000	Sodec	.....	F24F 13/06
				454/289

**OTHER PUBLICATIONS**

Selkirk RV Gas Vent Storm Collar, image post date Sep. 9, 2010, site visited May 24, 2018, (online), <<https://www.tineye.com/search/eac10841d54dbddedc92558b7d7e885c4c7e9f24/>>.\*

*Primary Examiner* — Kevin K Rudzinski

(74) *Attorney, Agent, or Firm* — Marshall, Gerstein & Borun LLP

(57) **CLAIM**

The ornamental design for a collar, as shown and described.

**DESCRIPTION**

FIG. 1 is a perspective view showing a new design for a collar;

FIG. 2 is a left-side view of the collar of FIG. 1;

FIG. 3 is a right-side view of the collar of FIG. 1;

FIG. 4 is a bottom view of the collar of FIG. 1;

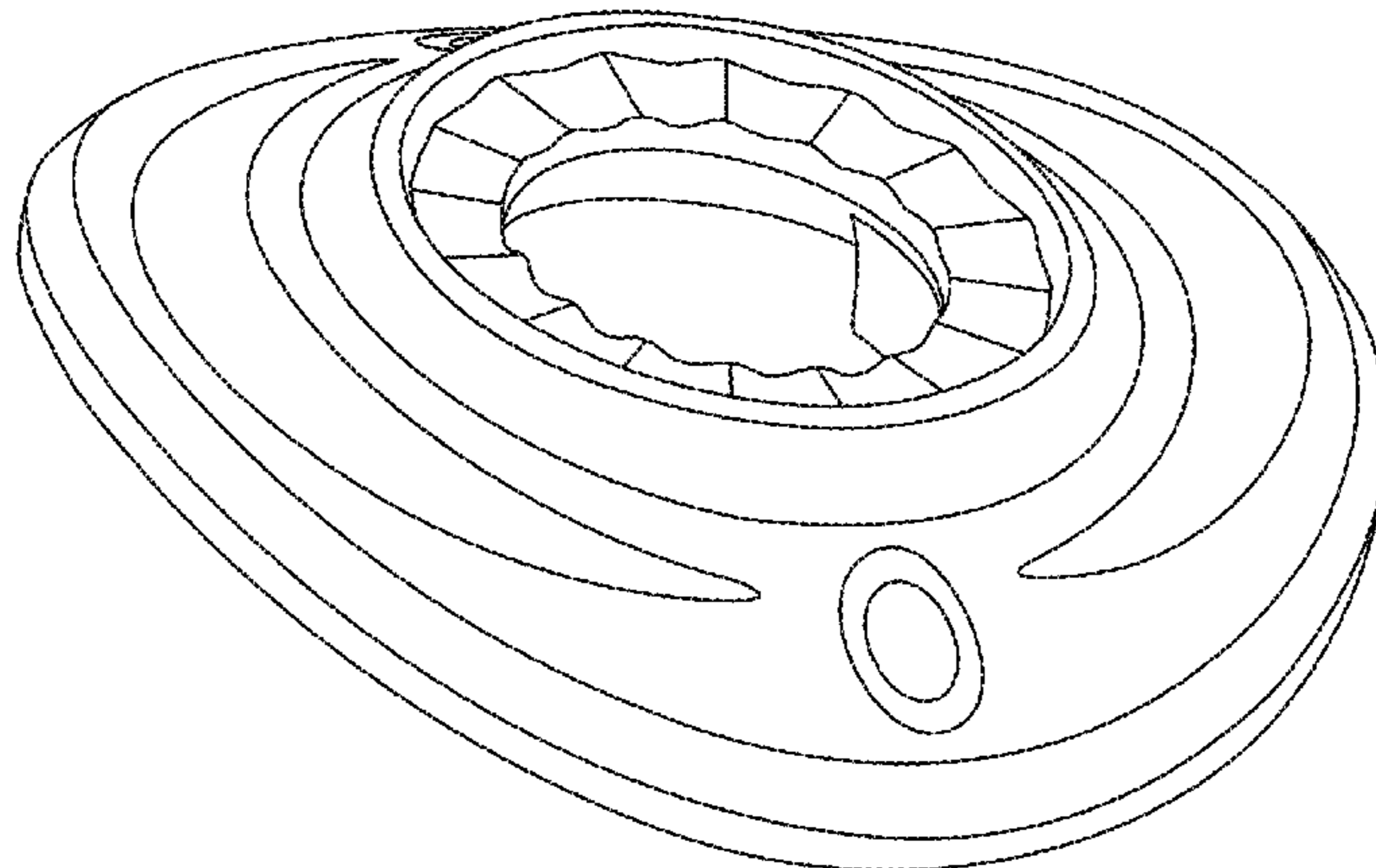
FIG. 5 is a top view of the collar of FIG. 1;

FIG. 6 is a front view of the collar of FIG. 1; and,

FIG. 7 is a rear view of the collar of FIG. 1.

The broken lines, and surfaces immediately adjacent to the broken lines, illustrate features that form no part of the claimed design.

**1 Claim, 7 Drawing Sheets**



(56)

**References Cited**

## U.S. PATENT DOCUMENTS

D732,656 S \* 6/2015 Wu ..... F04D 29/666  
D23/413  
D734,878 S \* 7/2015 Nelson ..... D25/164  
D749,708 S \* 2/2016 Smith ..... D23/269  
D756,502 S \* 5/2016 Lee ..... D23/388  
D757,891 S \* 5/2016 Walker ..... D23/213  
D762,454 S \* 8/2016 Thouement ..... D8/349  
D765,827 S \* 9/2016 Bowen ..... D23/393  
D779,929 S \* 2/2017 Matus, Jr. .... D8/382  
D782,645 S \* 3/2017 Haag ..... D23/412  
D786,652 S \* 5/2017 Lira-Nunez ..... D8/321  
D790,051 S \* 6/2017 Valentino ..... D23/366  
D793,325 S \* 8/2017 Platto ..... D12/213  
D795,957 S \* 8/2017 Metcalf ..... D21/302  
D796,324 S \* 9/2017 Buck ..... D9/449  
D802,104 S \* 11/2017 Nagahamaya ..... D23/269  
D805,107 S \* 12/2017 Nichols ..... D15/5  
D806,834 S \* 1/2018 Schweitzer ..... D23/260  
D807,494 S \* 1/2018 Kim ..... D23/390  
D809,643 S \* 2/2018 Gruber ..... D23/370  
D810,705 S \* 2/2018 Krishnan ..... D13/182  
D812,112 S \* 3/2018 Mansfield ..... D15/126  
D813,355 S \* 3/2018 Weatherby ..... D23/259  
D814,008 S \* 3/2018 Munz ..... D23/370  
D815,271 S \* 4/2018 McIntosh ..... D23/393  
D817,569 S \* 5/2018 Baker ..... D32/25  
2006/0202050 A1 \* 9/2006 Caserta ..... A01M 1/2044  
239/34  
2011/0014036 A1 \* 1/2011 Boening ..... F02C 6/12  
415/177

\* cited by examiner

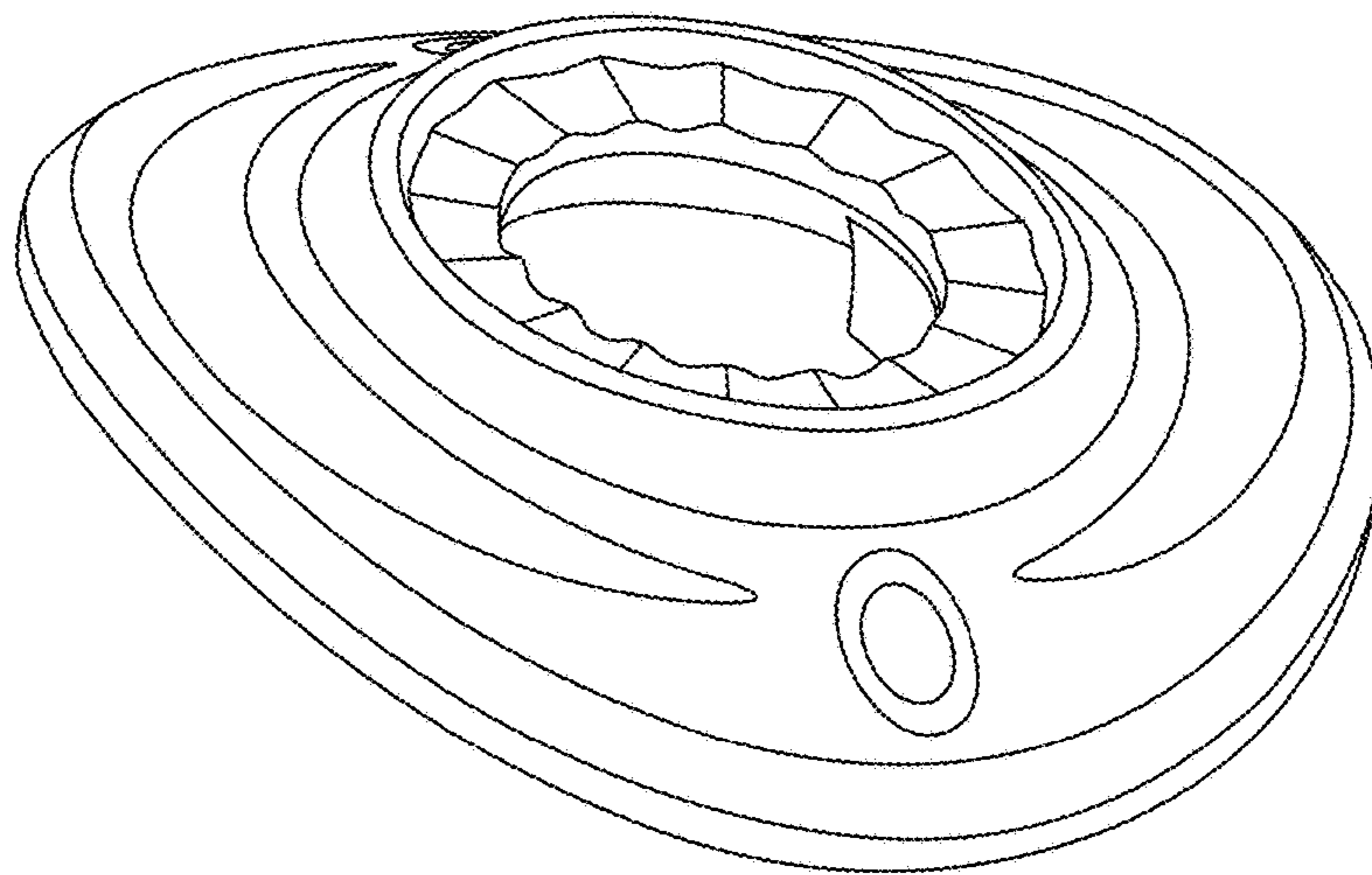


FIG. 1

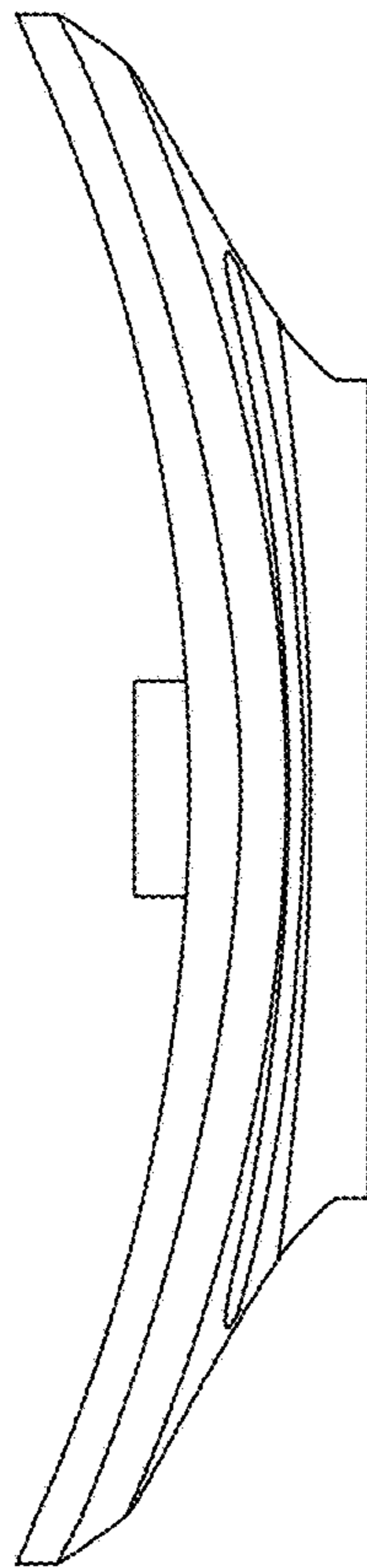


FIG. 2

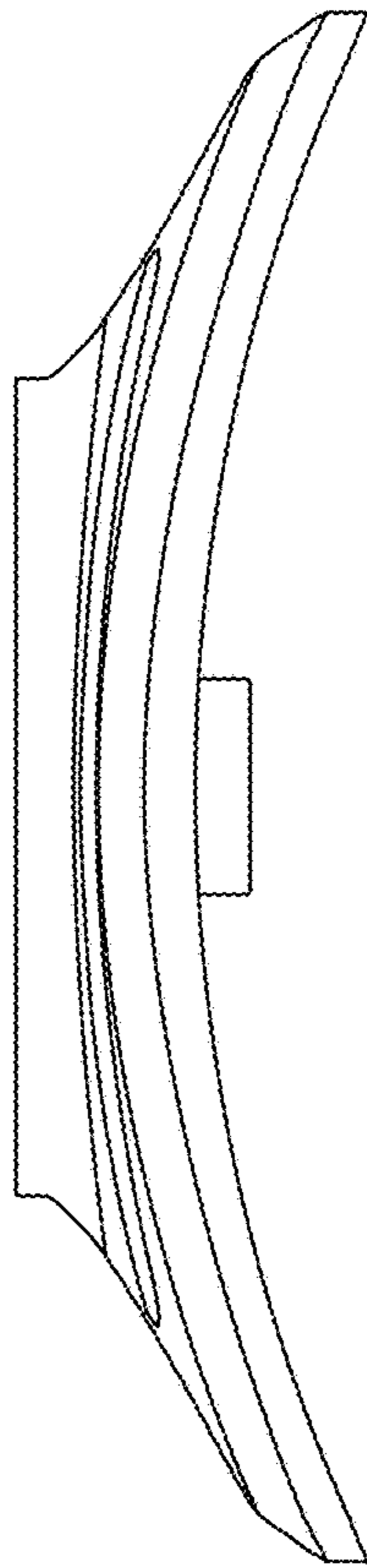


FIG. 3

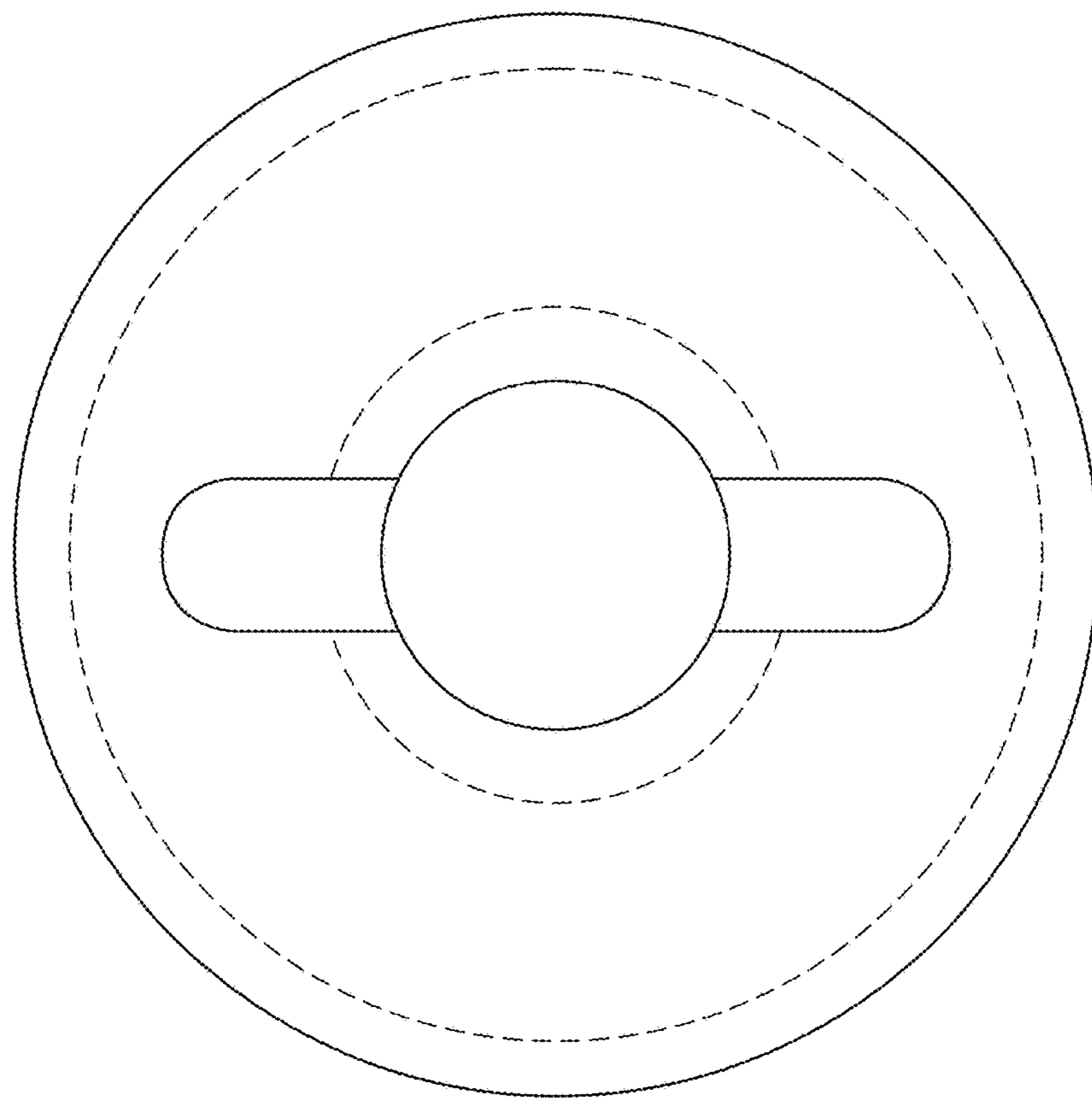


FIG. 4

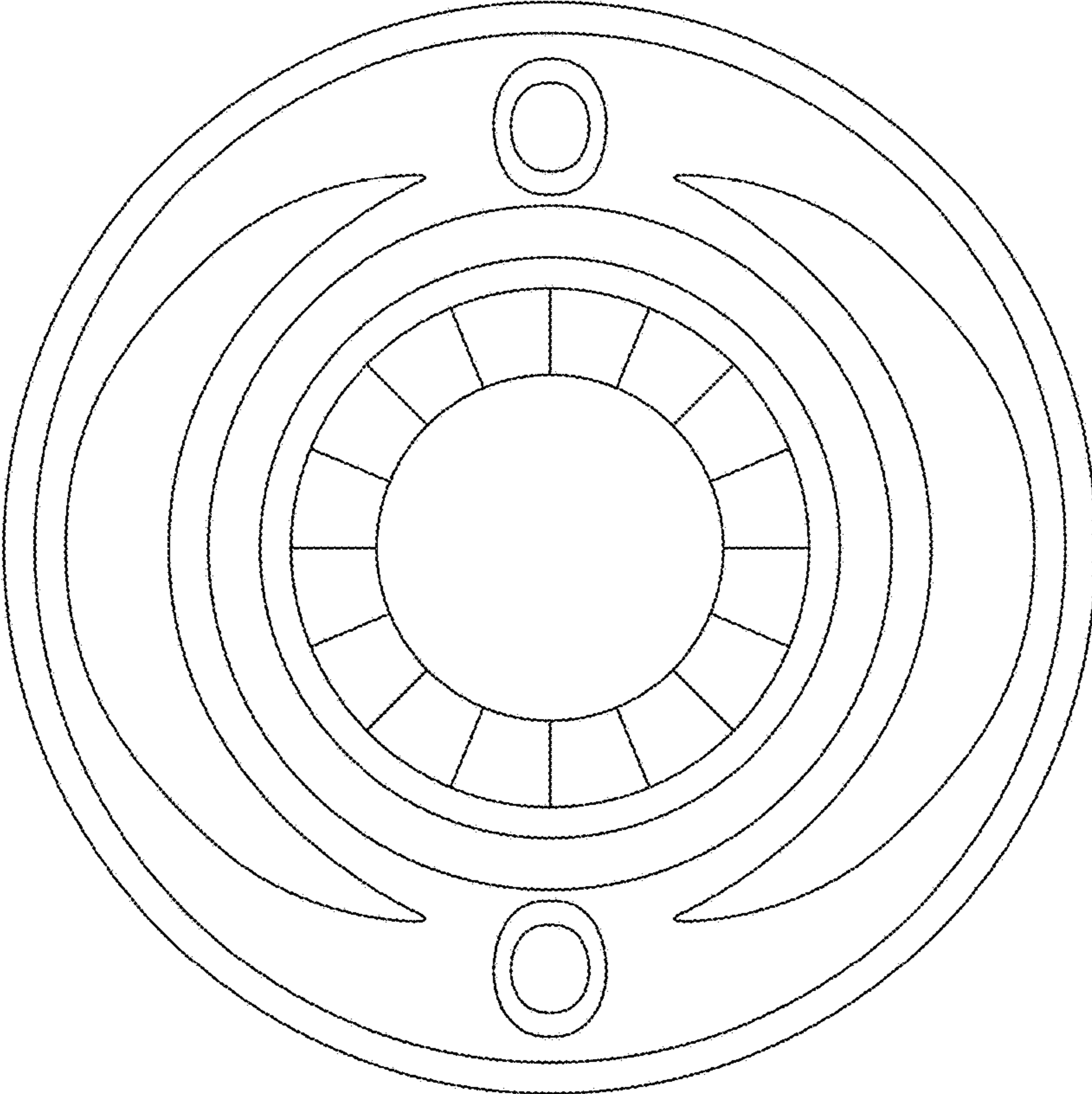


FIG. 5

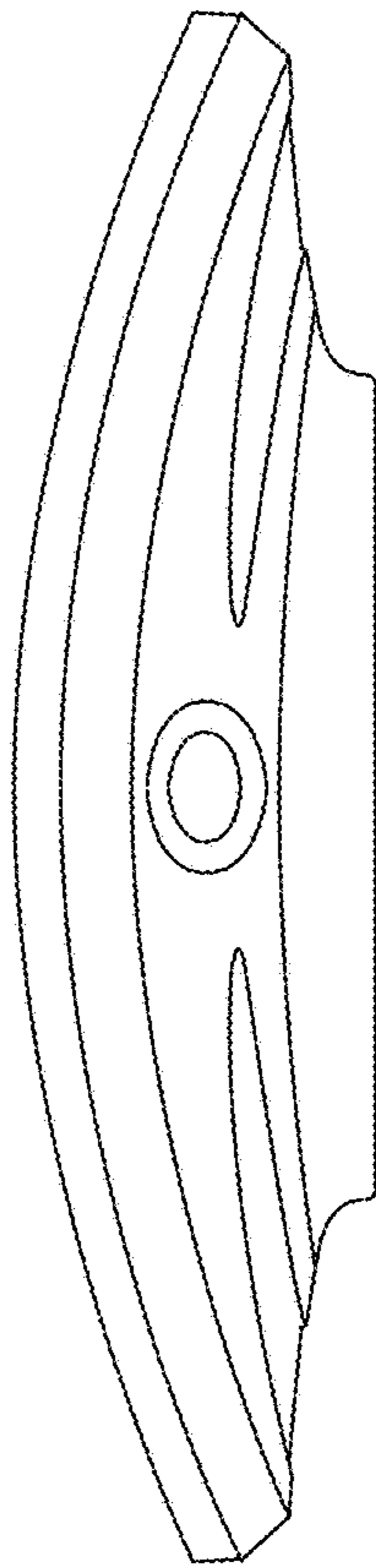


FIG. 6



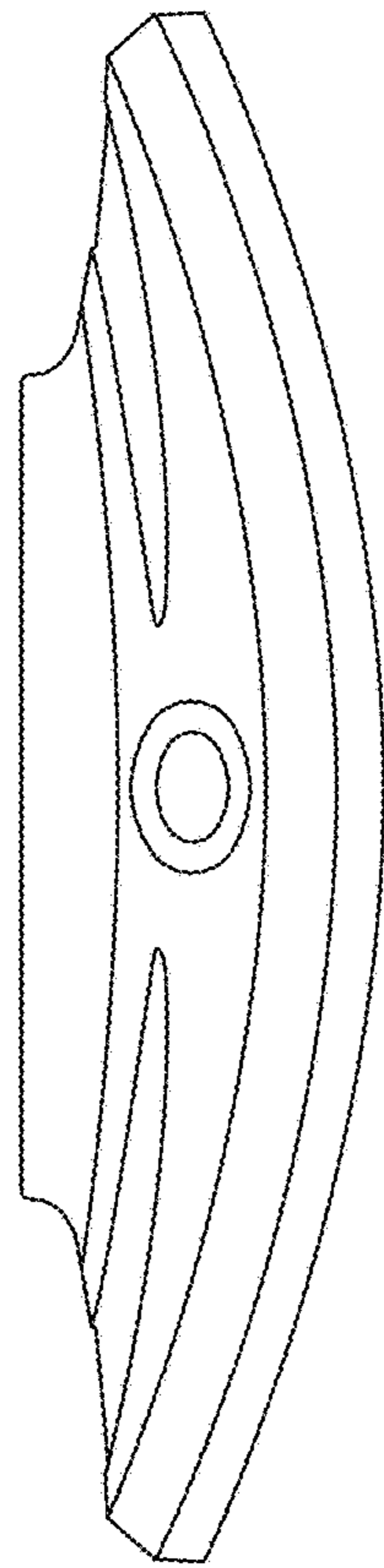


FIG. 7