



US00D843557S

(12) **United States Design Patent**
Breit et al.

(10) **Patent No.:** **US D843,557 S**

(45) **Date of Patent:** **** Mar. 19, 2019**

(54) **POCKET FAN**

(71) Applicant: **O2COOL, LLC**, Chicago, IL (US)

(72) Inventors: **Oliver Breit**, Discovery Bay (HK);
Jason Yap, Yuen Long (HK); **Michael Ksiazek**, Burr Ridge, IL (US); **Vicky Hui**, Tsing Yi (HK); **Eric F. Junkel**, Mount Prospect, IL (US)

(73) Assignee: **O2COOL, LLC**, Chicago, IL (US)

(**) Term: **15 Years**

(21) Appl. No.: **29/607,017**

(22) Filed: **Jun. 9, 2017**

(51) **LOC (11) Cl.** **23-04**

(52) **U.S. Cl.**
USPC **D23/379**

(58) **Field of Classification Search**
USPC D23/370-379, 381-385, 411-414, 360,
D23/314, 335, 328, 332
CPC . F04D 5/00; F04D 27/00; F04D 25/10; F04D
29/64; F04D 19/00; F24H 3/04; B65D
71/00
See application file for complete search history.

(56) **References Cited**

U.S. PATENT DOCUMENTS

2,909,316	A *	10/1959	Prohaczka	F04D 25/084 200/60
D329,088	S *	9/1992	Yuen	D23/377
D334,976	S *	4/1993	Yuen	D23/377
5,851,106	A *	12/1998	Steiner	A61L 9/122 416/63
6,109,874	A *	8/2000	Steiner	F04D 25/084 416/229 R
D451,992	S *	12/2001	Yuen	D23/377
D451,994	S *	12/2001	Yuen	D23/379

D507,642	S *	7/2005	Radtke	D23/379
D529,166	S *	9/2006	Geringer	D23/379
D529,597	S *	10/2006	Mombauer	D23/379
D556,878	S *	12/2007	Radtke	D23/314
D559,966	S *	1/2008	Kit	D23/379
D561,880	S *	2/2008	Radtke	D23/328
D564,080	S *	3/2008	Chen	D23/314
D565,720	S *	4/2008	Chen	D23/379
D577,115	S *	9/2008	Lui	D23/411
8,333,560	B1 *	12/2012	Ward	F04D 27/004 415/213.1
D698,432	S *	1/2014	Herbst	D23/379
D733,281	S *	6/2015	Herbst	D23/328
2006/0273195	A1 *	12/2006	Junkel	B05B 11/0005 239/222.11

* cited by examiner

Primary Examiner — Janice Hallmark

(74) *Attorney, Agent, or Firm* — Thompson Coburn LLP

(57) **CLAIM**

The ornamental design for a pocket fan, as shown and described.

DESCRIPTION

FIG. 1 is a perspective view of the pocket fan showing our new design;

FIG. 2 is a second perspective view thereof;

FIG. 3 is a front view thereof;

FIG. 4 is a rear view thereof;

FIG. 5 is a top view thereof;

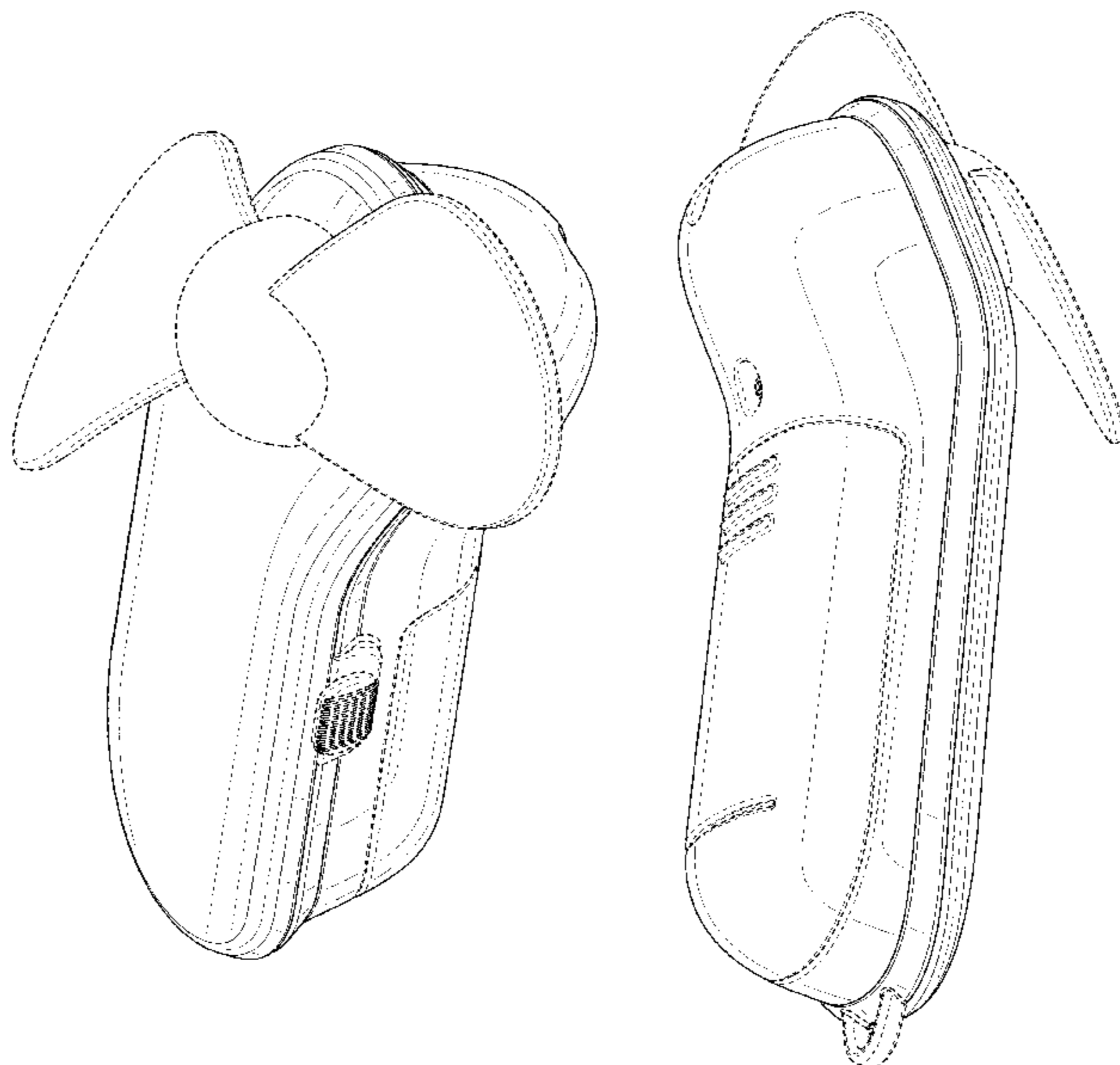
FIG. 6 is a bottom view thereof;

FIG. 7 is a left side view thereof; and,

FIG. 8 is a right view thereof.

The broken lines immediately adjacent the shaded areas represent the bounds of the claimed design while all other broken lines are directed to environment and are for illustrative purposes only; the broken lines form no part of the claimed design.

1 Claim, 7 Drawing Sheets



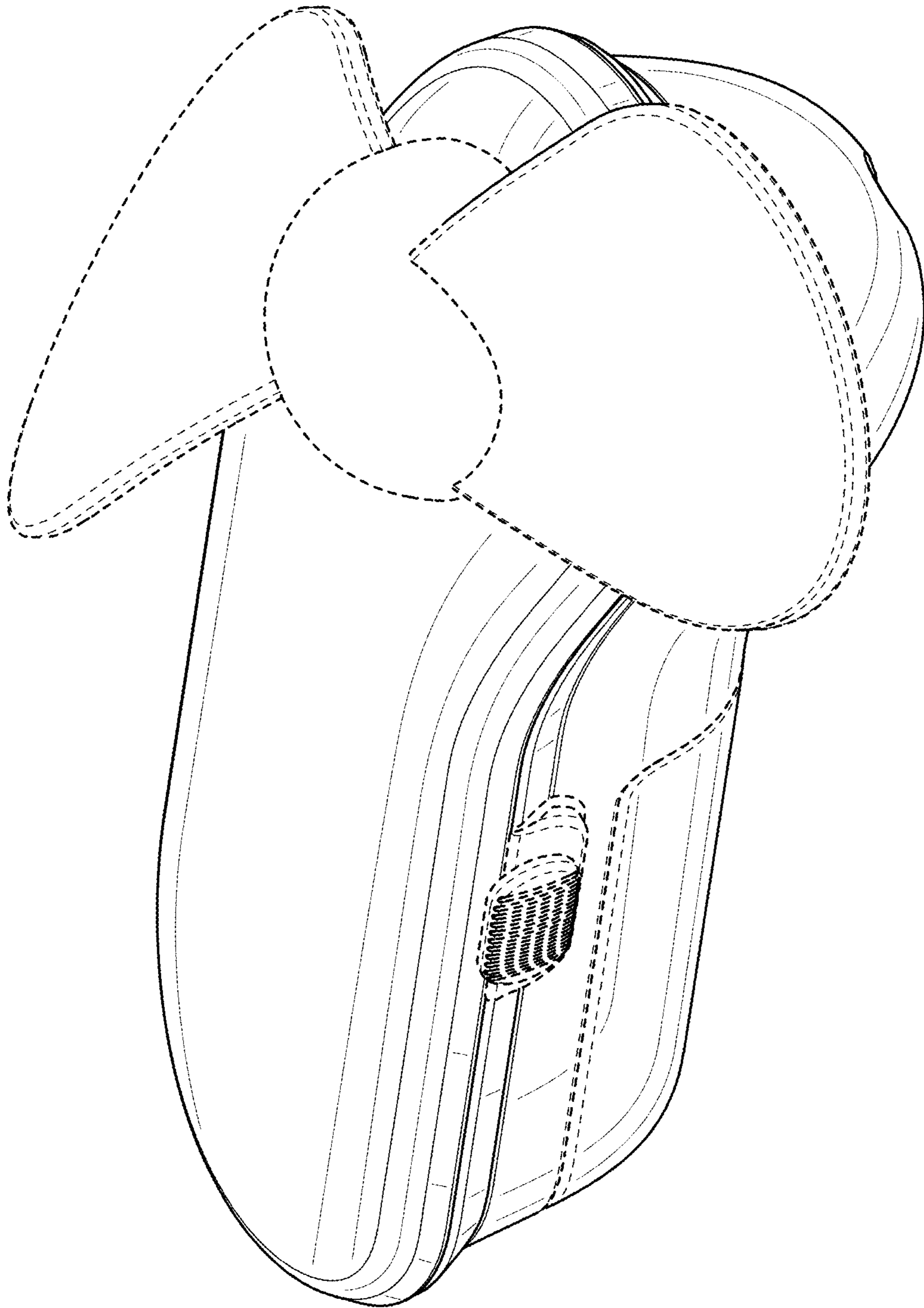


FIG. 1

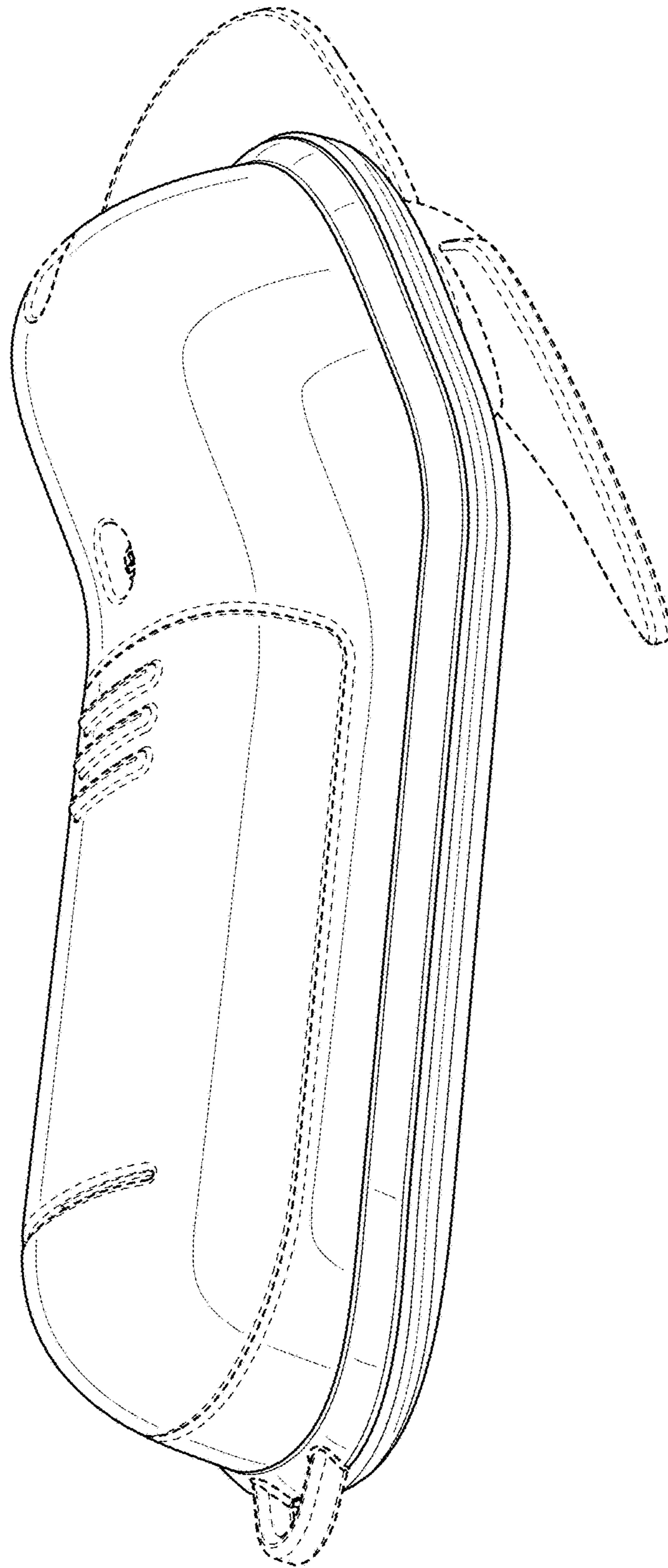


FIG. 2

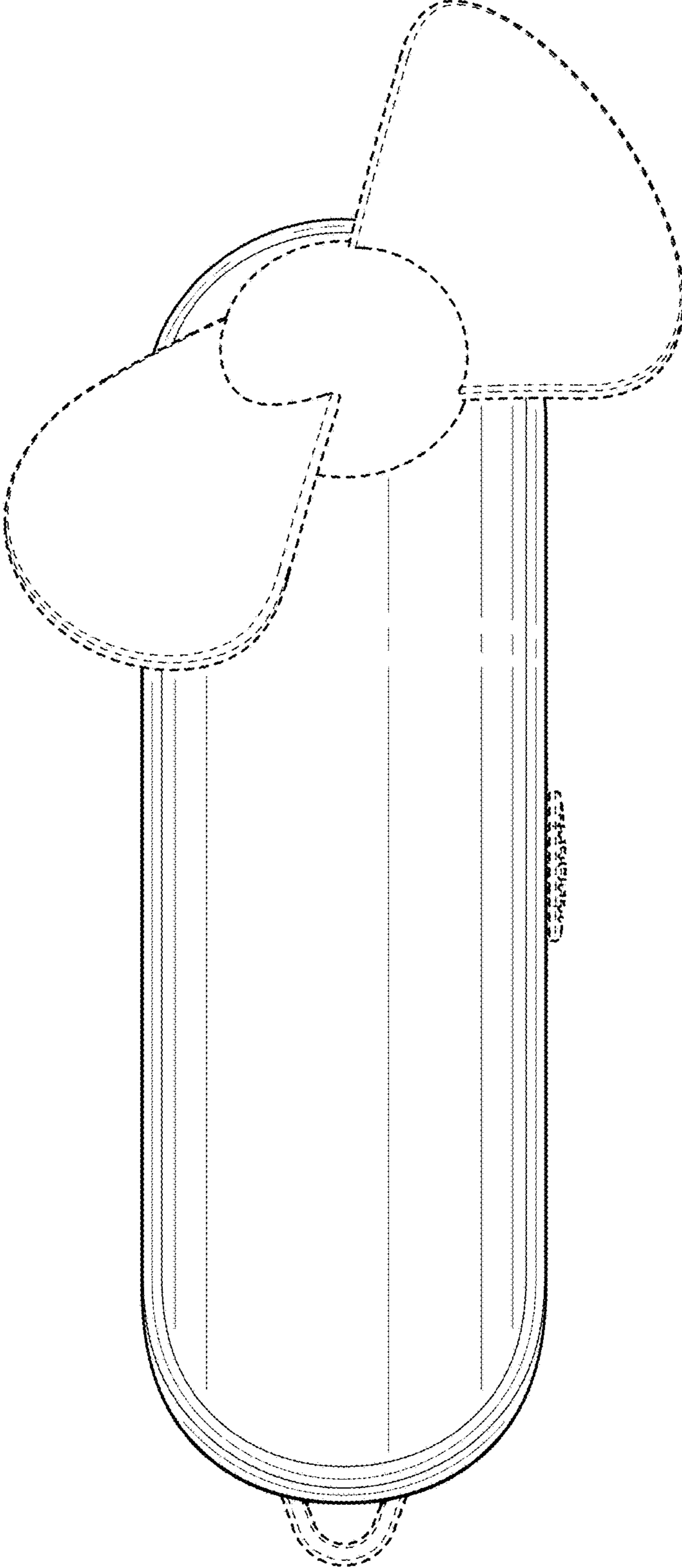


FIG. 3

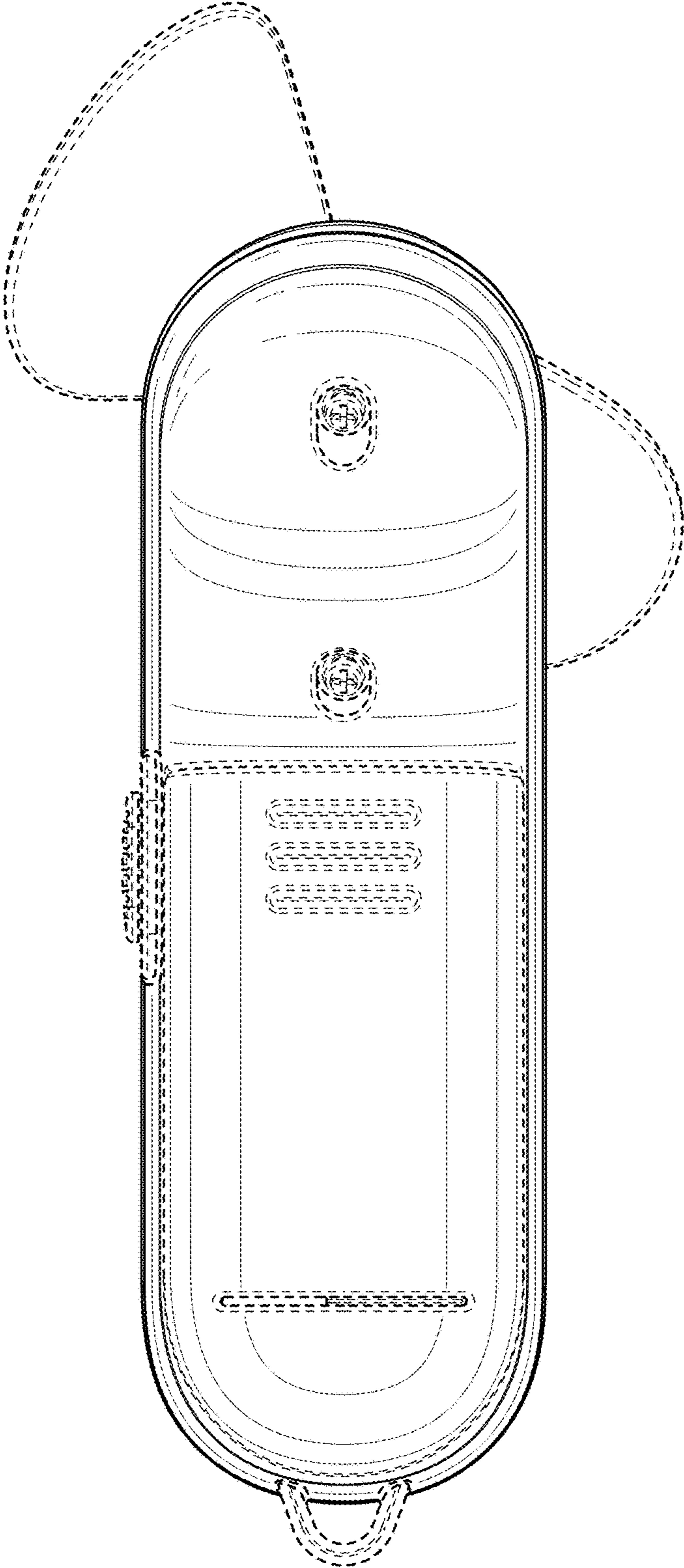


FIG. 4

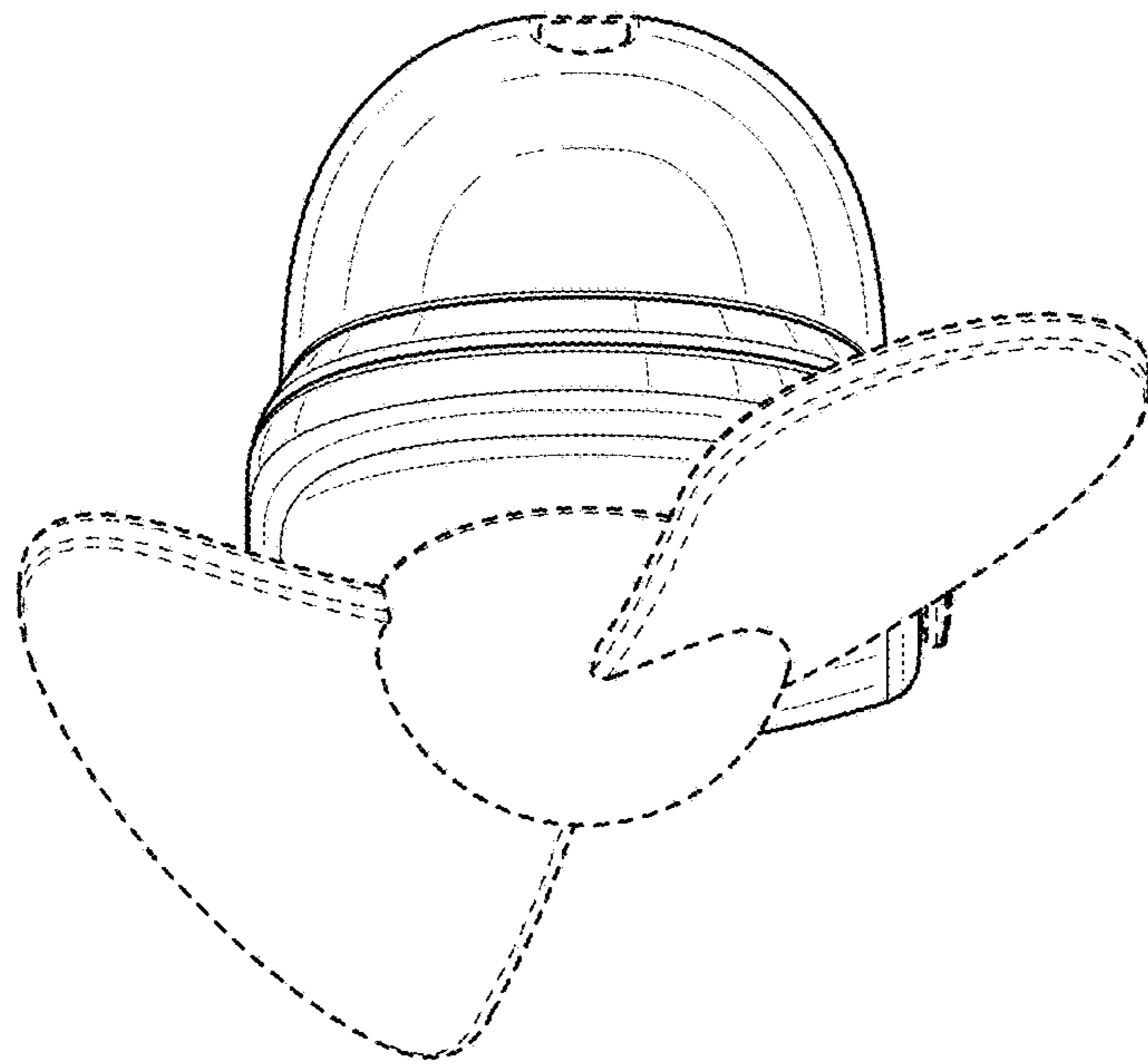


FIG. 5

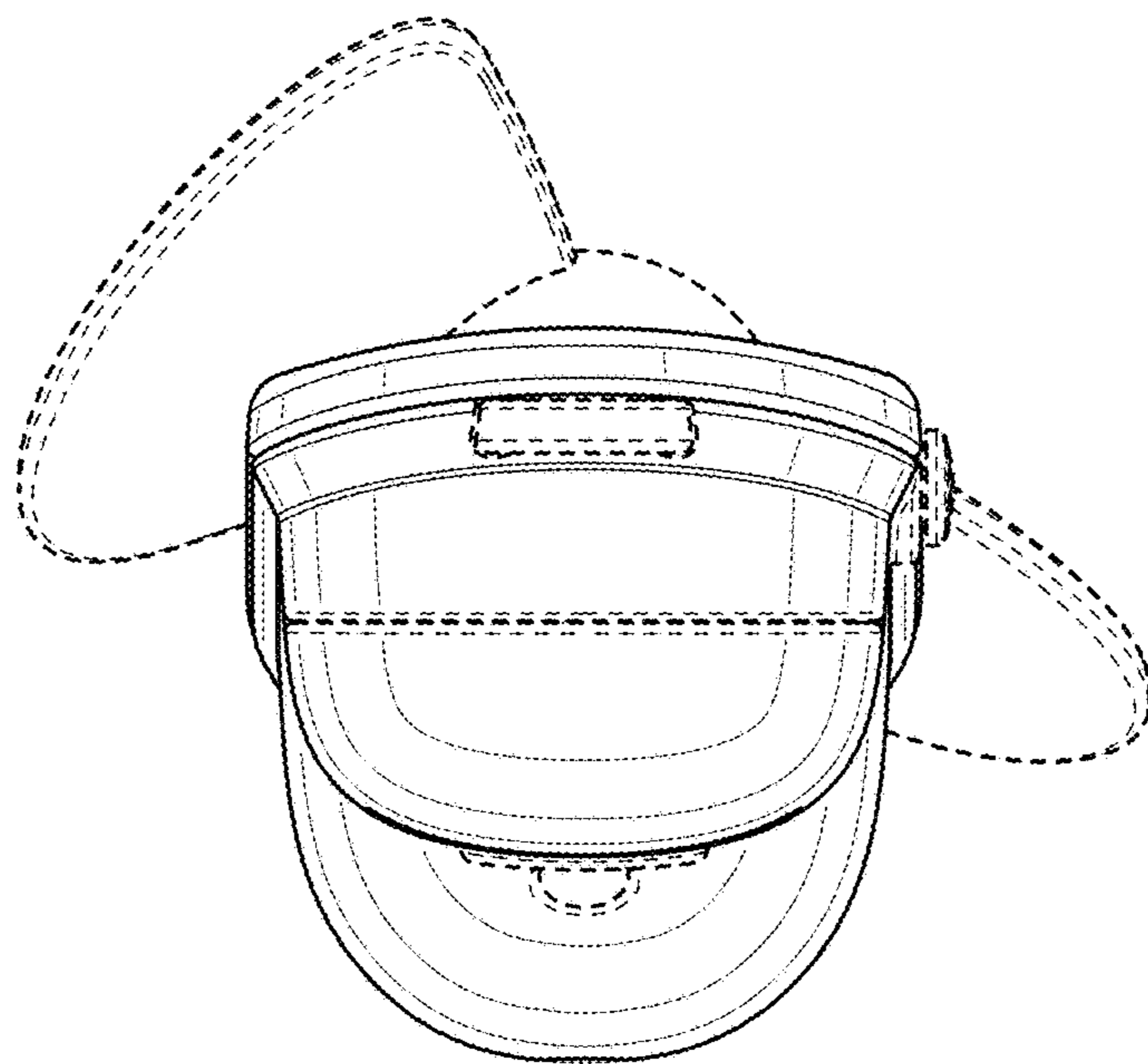


FIG. 6

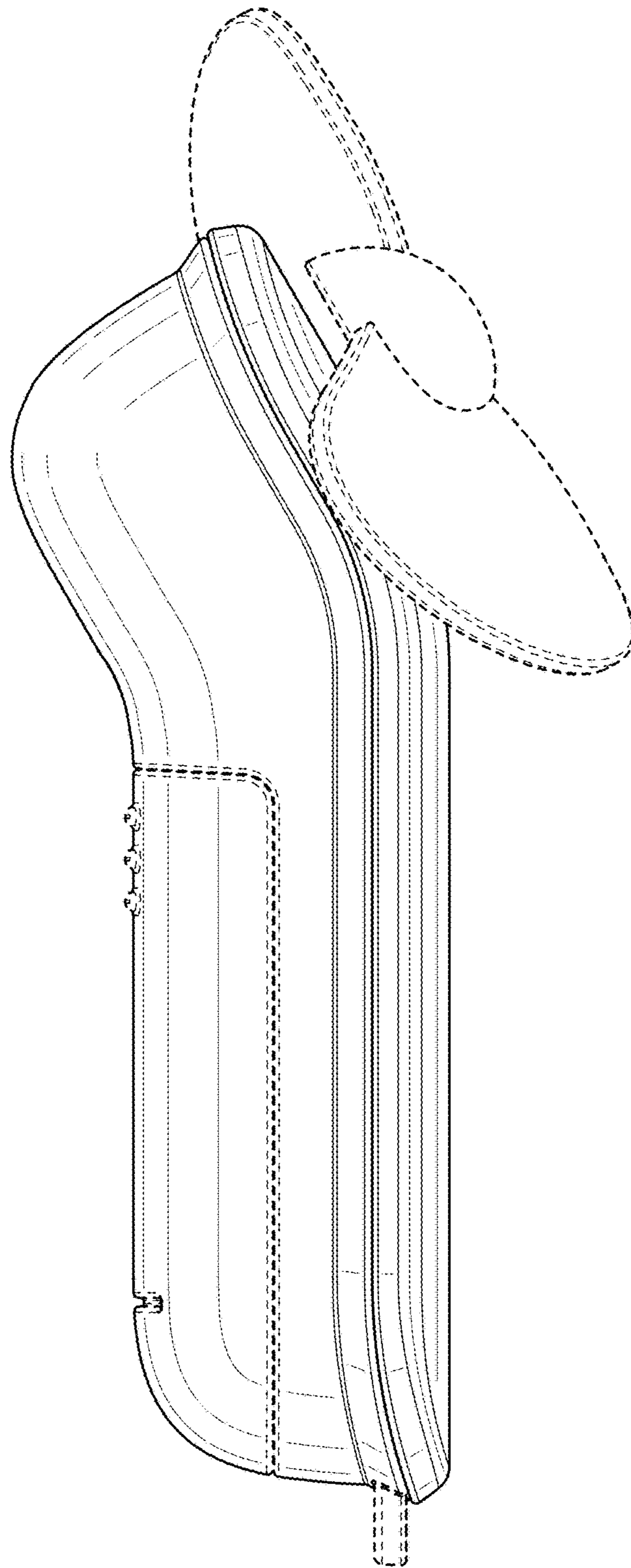


FIG. 7

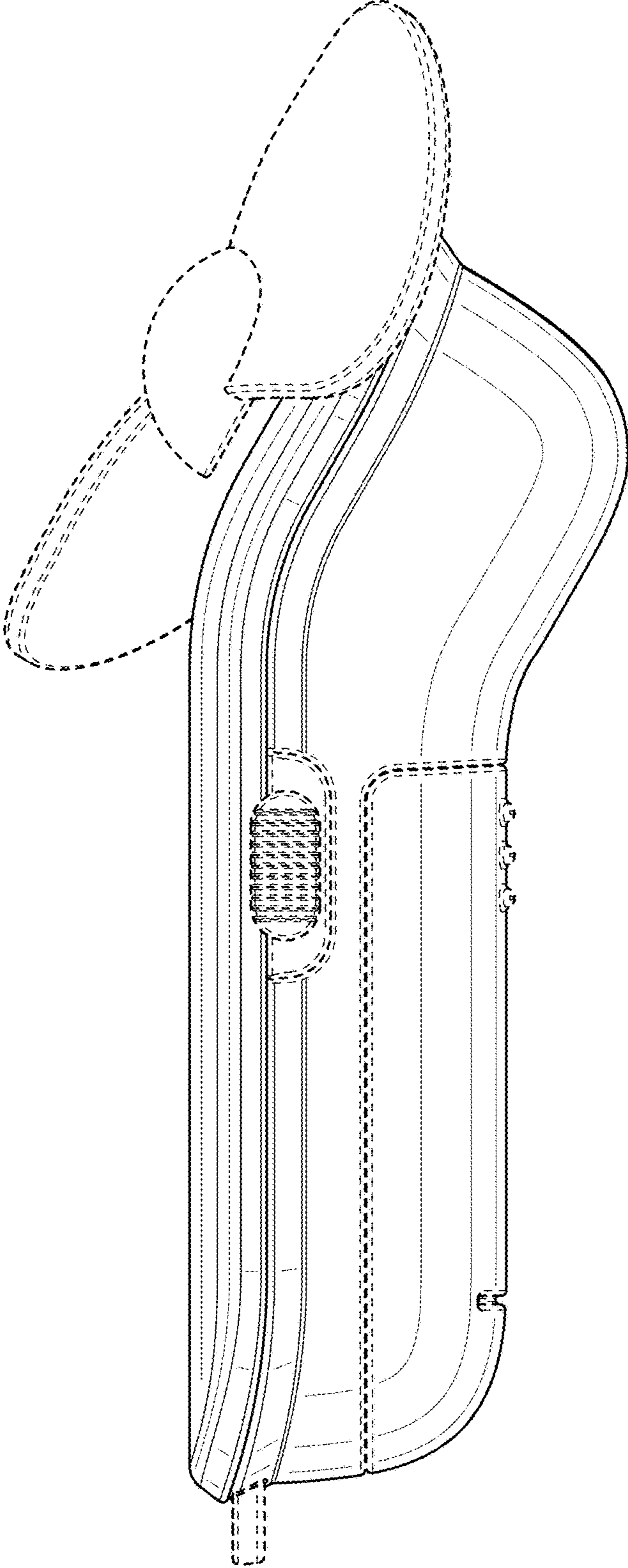


FIG. 8