



US00D843555S

(12) **United States Design Patent** (10) **Patent No.:** **US D843,555 S**
Yeats (45) **Date of Patent:** **** Mar. 19, 2019**

(54) **BASE OF A FRAGRANCE DISPENSER**

9,453,330 B2 * 9/2016 Muderlak A61L 9/122
9,663,932 B2 * 5/2017 Muderlak A61L 2/18
2007/0001024 A1 * 1/2007 Wold A61L 9/037
239/34

(71) Applicant: **F-Matic, Inc.**, Lehi, UT (US)

(72) Inventor: **Shawn Yeats**, Lindon, UT (US)

* cited by examiner

(73) Assignee: **F-Matic, Inc.**, Lehi, UT (US)

Primary Examiner — Sandra S Snapp
(74) *Attorney, Agent, or Firm* — Durham Jones & Pinegar, P.C., Intellectual Property Law Group

(**) Term: **15 Years**

(21) Appl. No.: **29/542,921**

(57) **CLAIM**

(22) Filed: **Oct. 19, 2015**

The ornamental design for a base of a fragrance dispenser, as shown and described.

(51) **LOC (11) Cl.** **28-99**

(52) **U.S. Cl.**
USPC **D23/366**

DESCRIPTION

(58) **Field of Classification Search**
USPC D23/355–369; D28/5, 6; 261/DIG. 17, 261/DIG. 42, DIG. 47, DIG. 55, DIG. 65, 261/DIG. 70, DIG. 88, DIG. 89; 392/386, 392/389, 394, 395, 403; 239/34, 44, 45, 239/53, 56; D9/522, 549, 556
CPC ... A61L 9/02; A61L 9/03; A61L 9/034; A61L 9/04; A61L 9/12; A61L 9/032; A61L 9/122; A61L 9/127; A61L 9/22
See application file for complete search history.

FIG. 1 is a perspective view of an embodiment of a design for a base of a fragrance dispenser;
FIG. 2 is a front view of the embodiment of the base of the fragrance dispenser shown in FIG. 1;
FIG. 3 is a right side view of the embodiment of the base of the fragrance dispenser shown in FIG. 1;
FIG. 4 is a rear view of the embodiment of the base of the fragrance dispenser shown in FIG. 1;
FIG. 5 is a left side view of the embodiment of the base of the fragrance dispenser shown in FIG. 1;
FIG. 6 is a top view of the embodiment of the base of the fragrance dispenser shown in FIG. 1;
FIG. 7 is a bottom view of the embodiment of the base of the fragrance dispenser shown in FIG. 1; and,
FIG. 8 is a perspective view showing the embodiment of the base of the fragrance dispenser of FIG. 1 holding a fragrance refill and showing a cover of the fragrance dispenser in an open orientation.

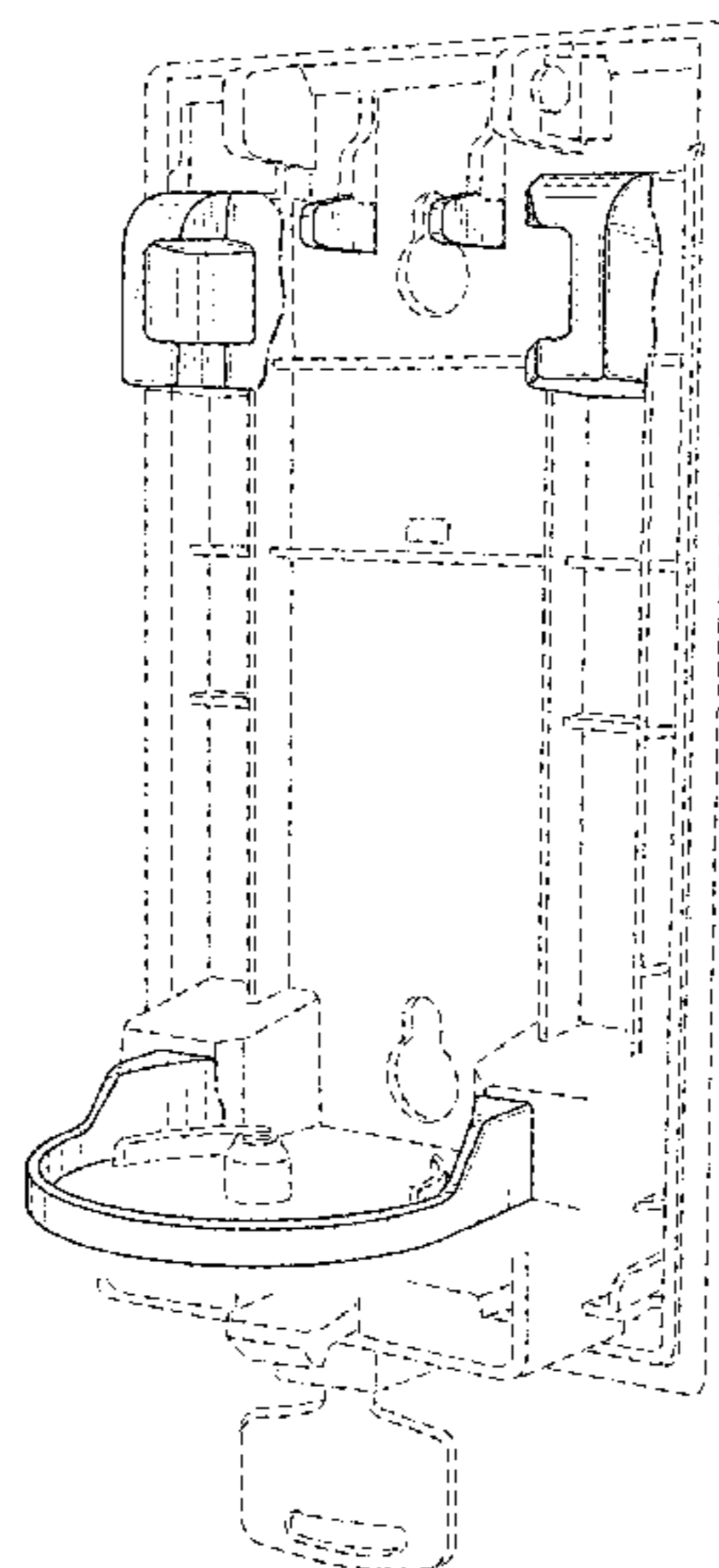
(56) **References Cited**

U.S. PATENT DOCUMENTS

4,294,778 A * 10/1981 DeLuca A61L 9/122
128/203.19
D284,506 S * 7/1986 Gutknecht D23/368
4,857,240 A * 8/1989 Kearnes A61L 9/122
239/60
D358,090 S * 5/1995 Morikawa D23/369
7,857,236 B2 * 12/2010 Zlotnik A61L 9/127
239/34
7,922,104 B2 * 4/2011 Zlotnik A61L 9/127
239/34
D675,305 S * 1/2013 Bush D23/366
8,889,082 B2 * 11/2014 Muderlak A61L 9/122
222/1

Broken lines are used in the drawings to illustrate features of a fragrance dispenser that form no part of the claimed design. Dash-dot-dash lines are used to delineate features that form part of the claimed design from features that form no part of the claimed design.

1 Claim, 7 Drawing Sheets



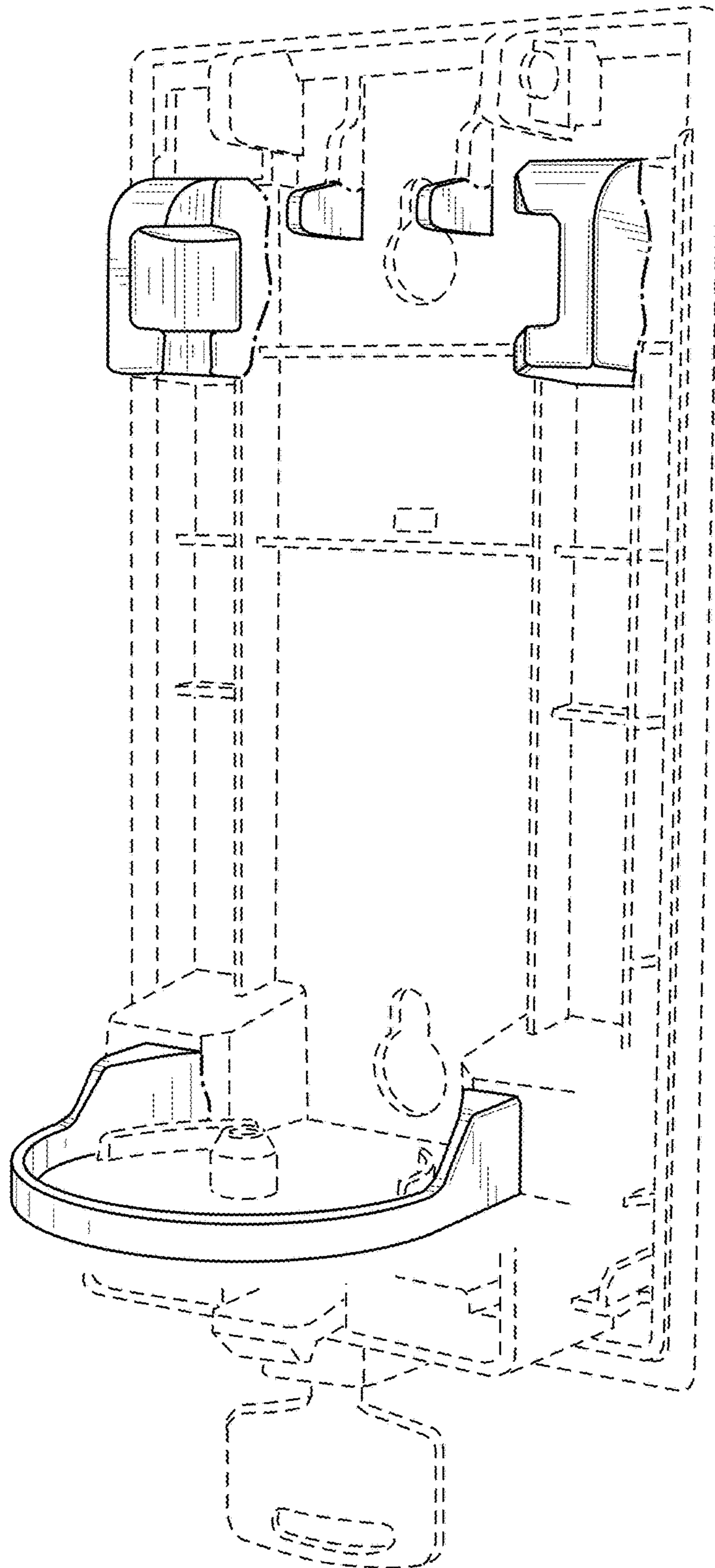


FIG. 1

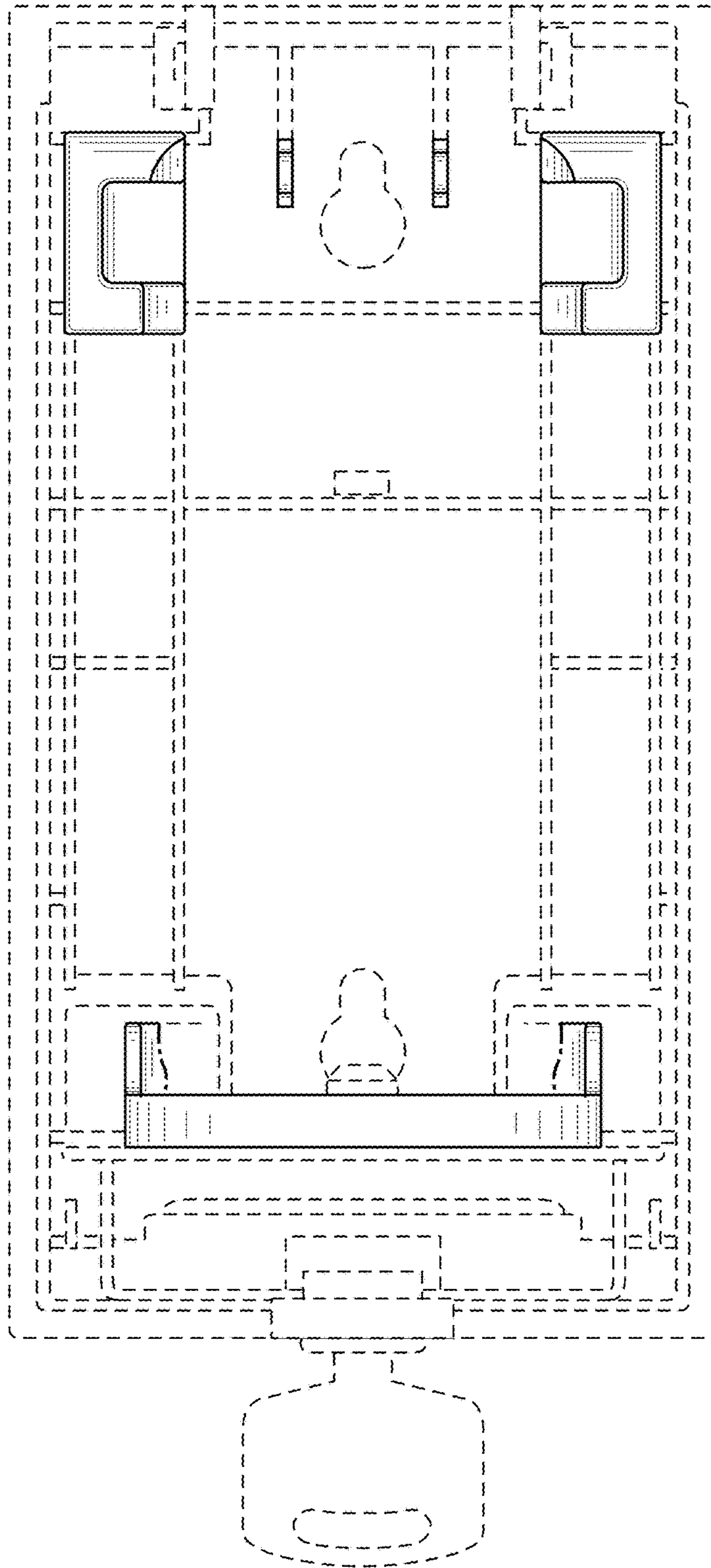


FIG. 2

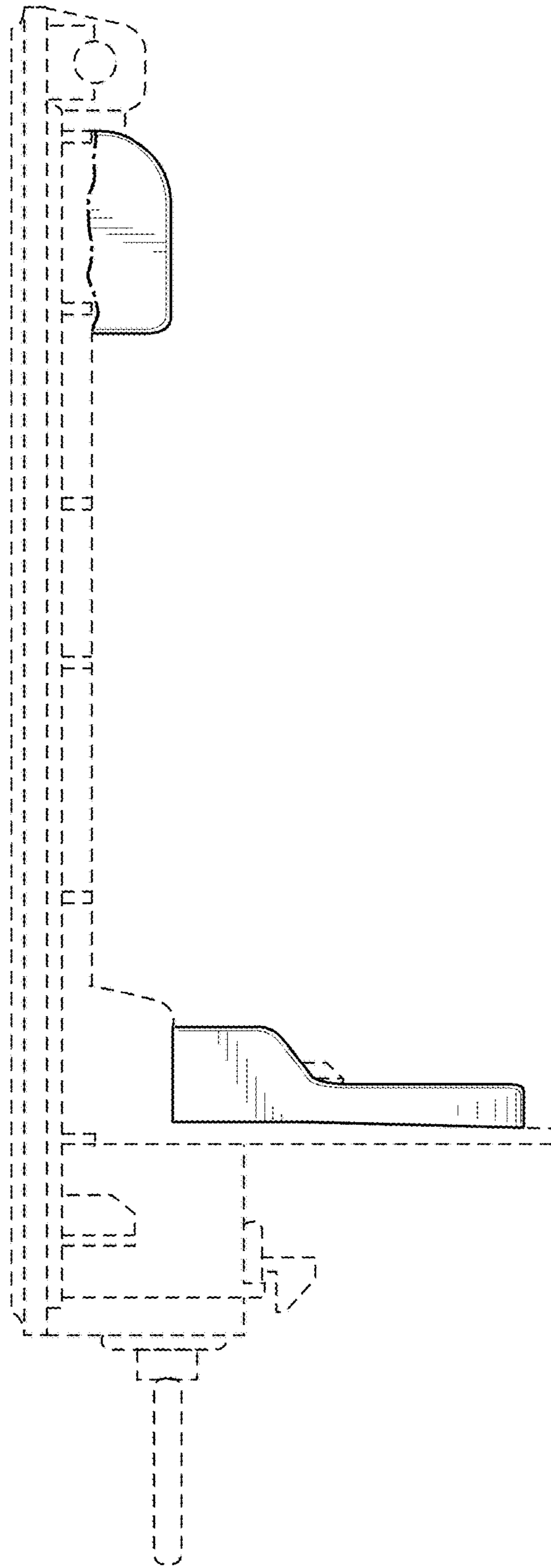


FIG. 3

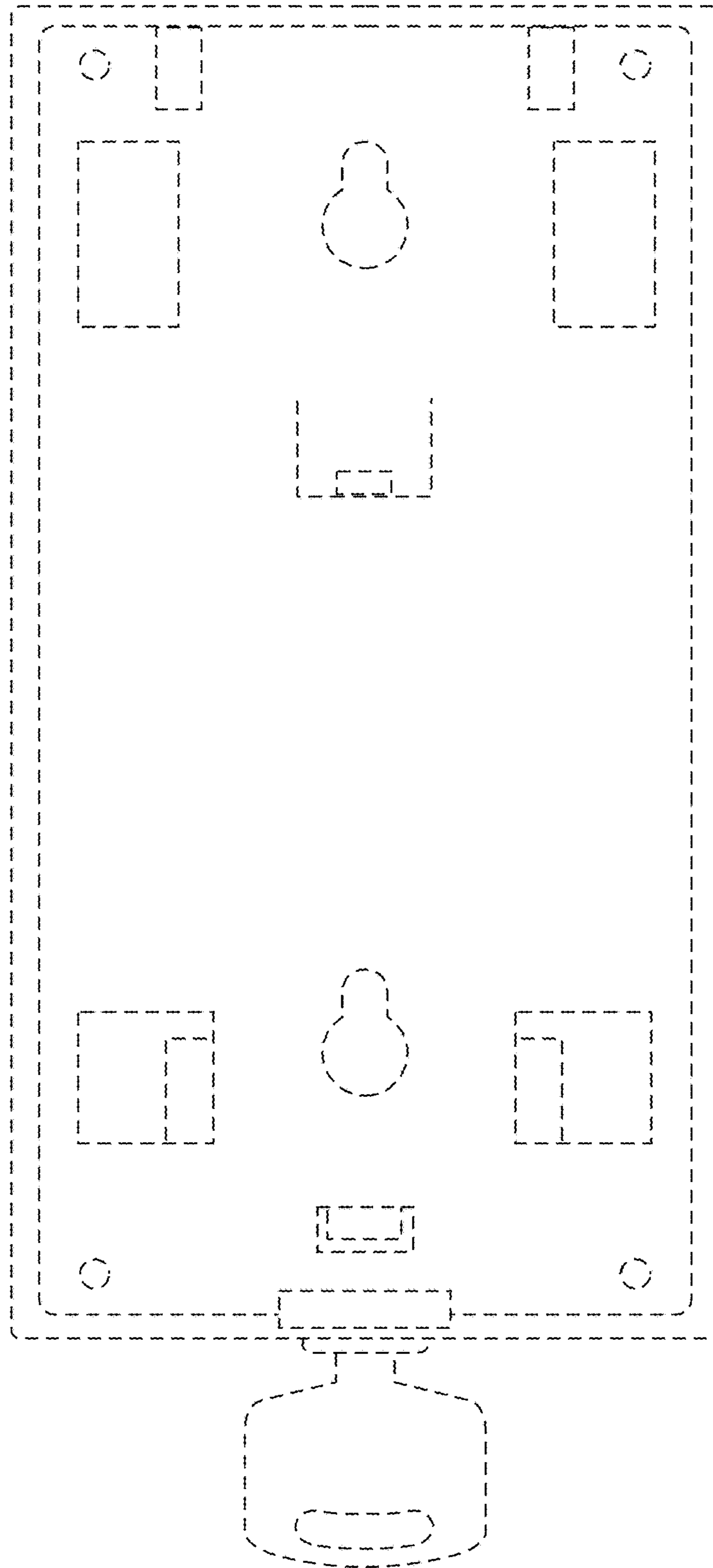


FIG. 4

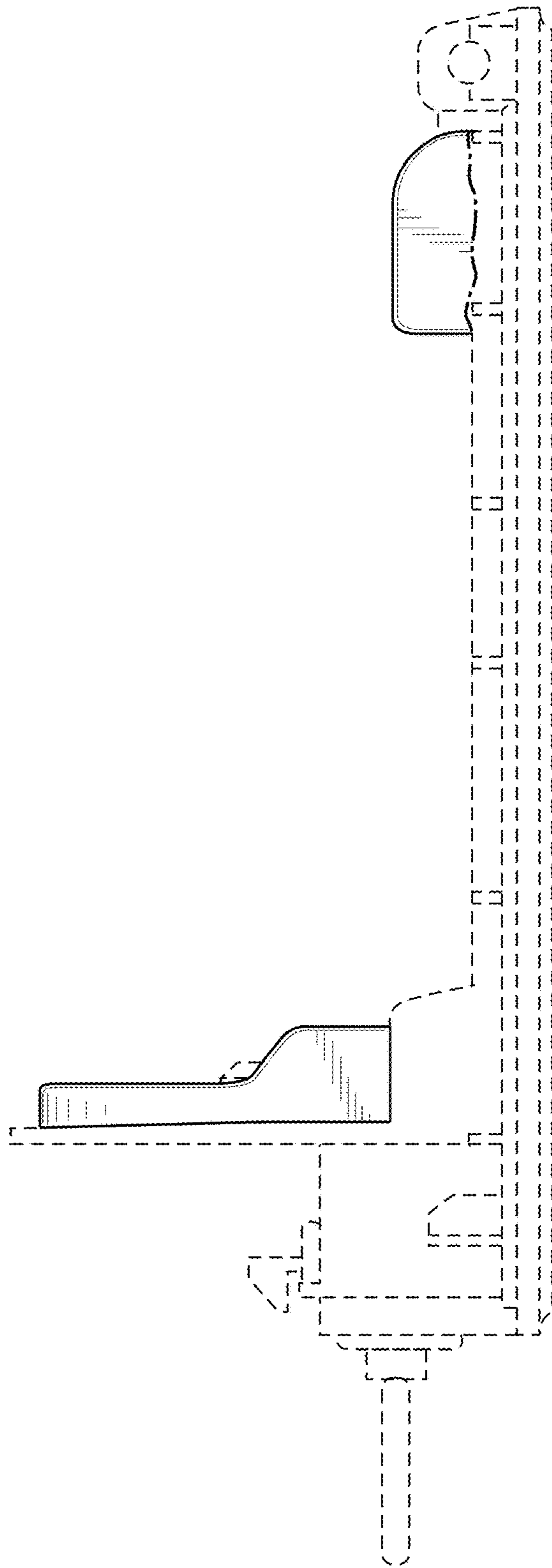


FIG. 5

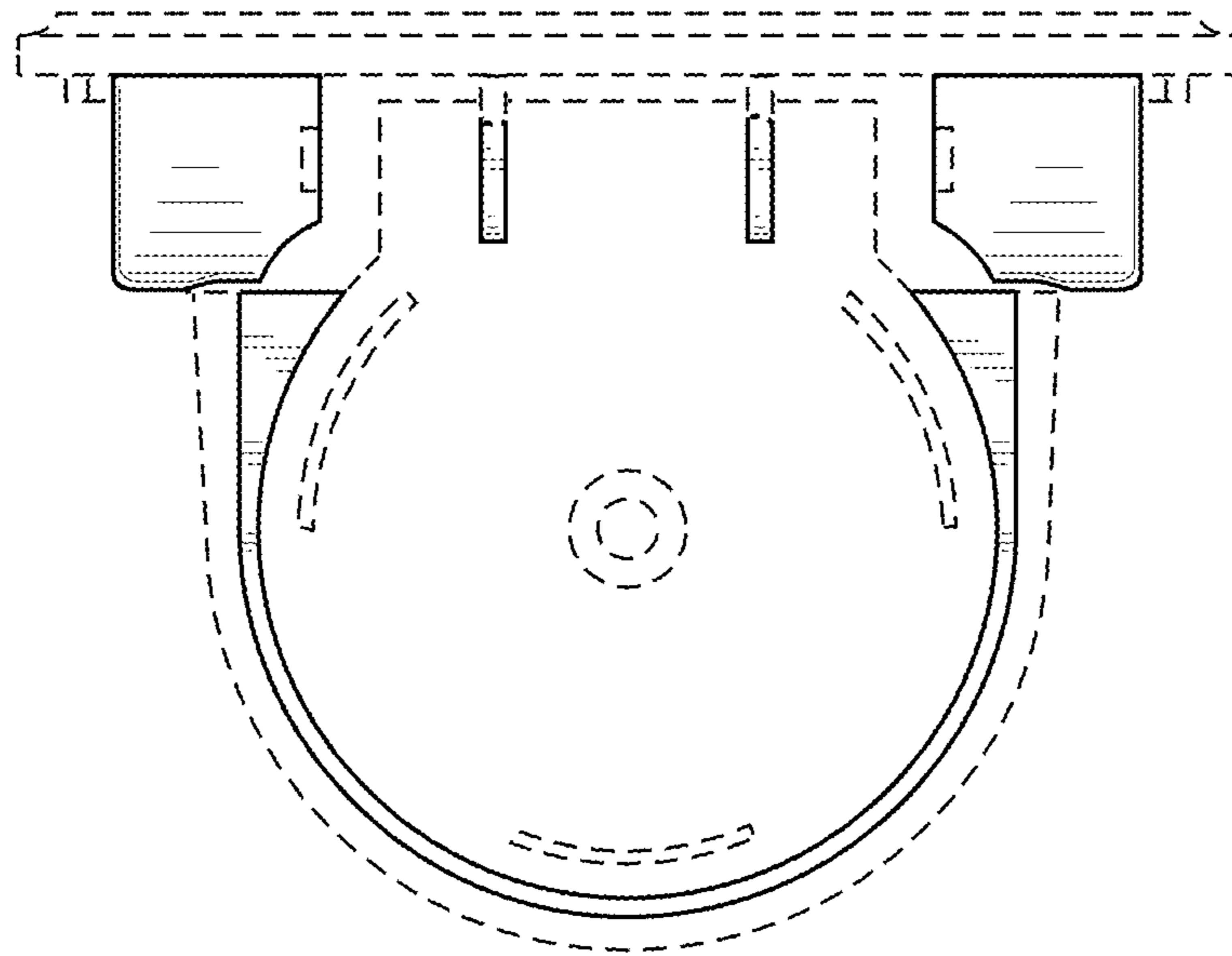


FIG. 6

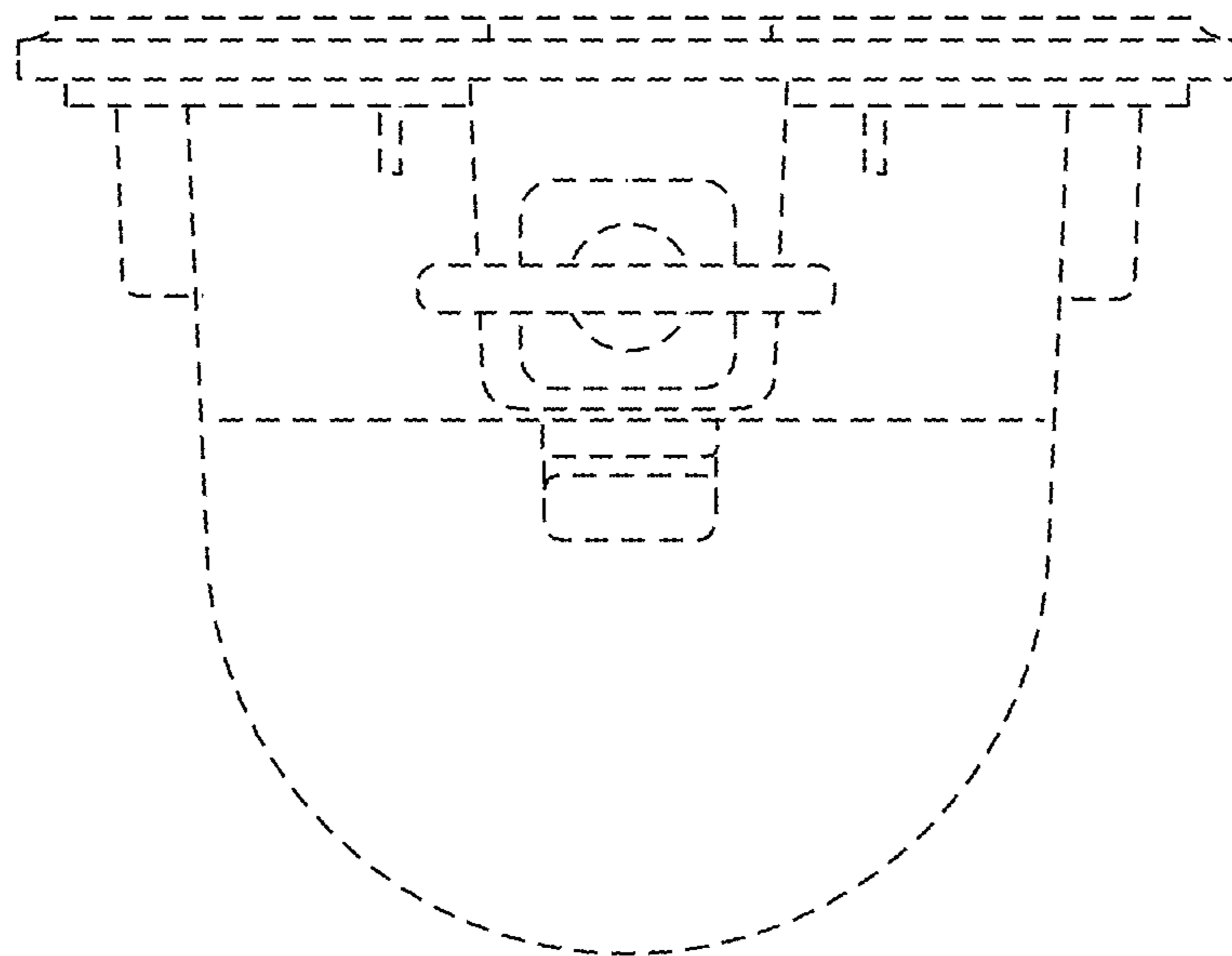


FIG. 7

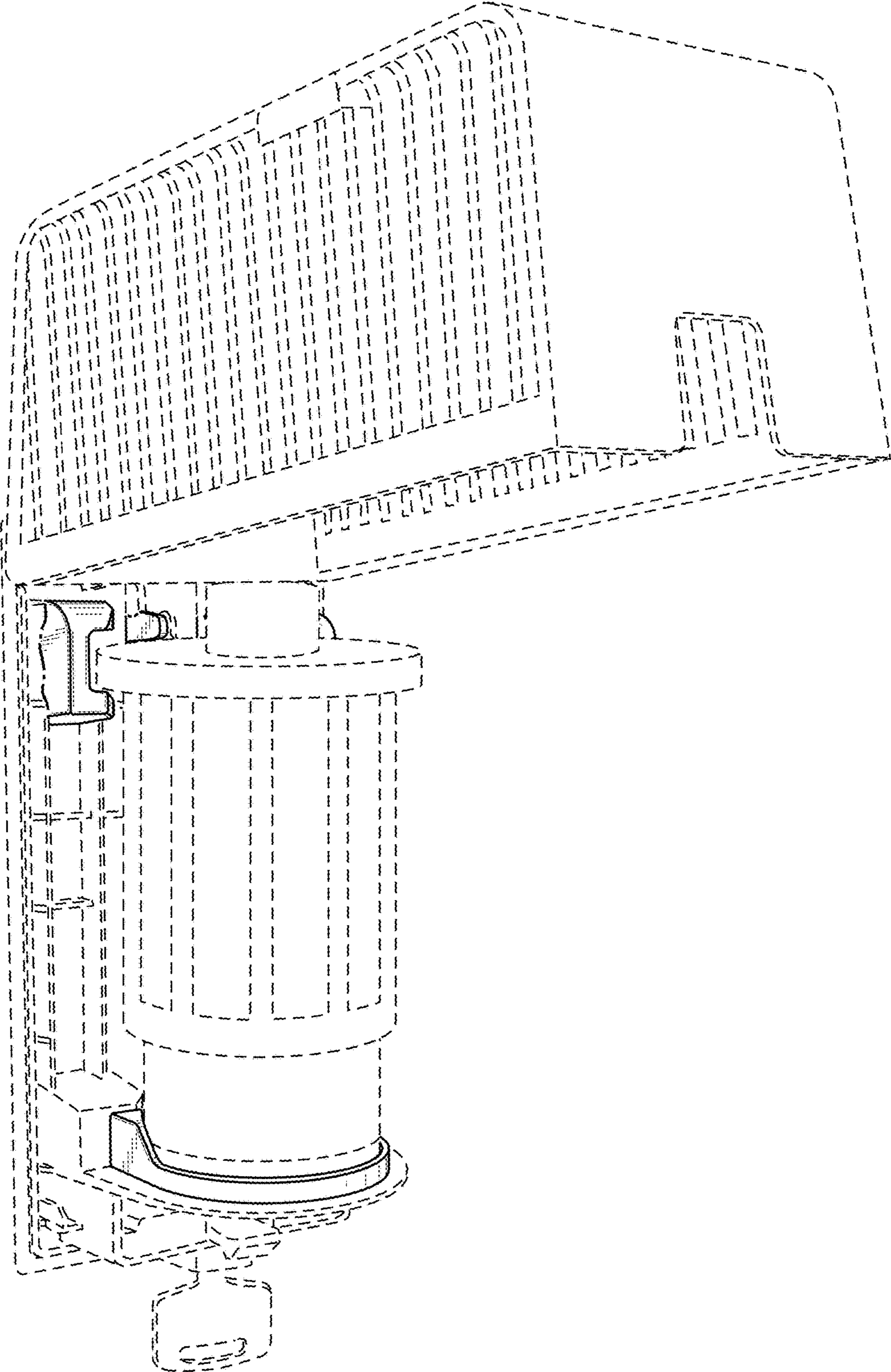


FIG. 8