



US00D843553S

(12) **United States Design Patent**
Kim et al.

(10) **Patent No.:** **US D843,553 S**
(45) **Date of Patent:** **** Mar. 19, 2019**

(54) **PORTABLE AIR PURIFIER**
(71) Applicant: **LG ELECTRONICS INC.**, Seoul (KR)
(72) Inventors: **Hojung Kim**, Seoul (KR); **Reaok Ko**, Seoul (KR); **Jongkeon Jeon**, Seoul (KR)
(73) Assignee: **LG ELECTRONICS INC.**, Seoul (KR)

D297,316 S * 8/1988 Mastro D10/106.2
D311,348 S * 10/1990 Mastro D10/106.2
D403,418 S * 12/1998 Brinkman D23/365
6,494,940 B1 * 12/2002 Hak A61L 9/16
55/471
D766,750 S * 9/2016 Fadell D10/106.3
D778,756 S * 2/2017 Boisse D10/120
D806,843 S * 1/2018 McDonnell D23/355

* cited by examiner

(**) Term: **15 Years**

Primary Examiner — George D. Kirschbaum
(74) *Attorney, Agent, or Firm* — Birch, Stewart, Kolasch & Birch, LLP

(21) Appl. No.: **35/504,094**
(22) Filed: **Jun. 8, 2017**

(57) **CLAIM**

The ornamental design for a portable air purifier, as shown and described.

(80) **Hague Agreement Data**
Int. Filing Date: **Jun. 8, 2017**
Int. Reg. No.: **DM/097747**
Int. Reg. Date: **Jun. 8, 2017**
Int. Reg. Pub. Date: **Dec. 8, 2017**

DESCRIPTION

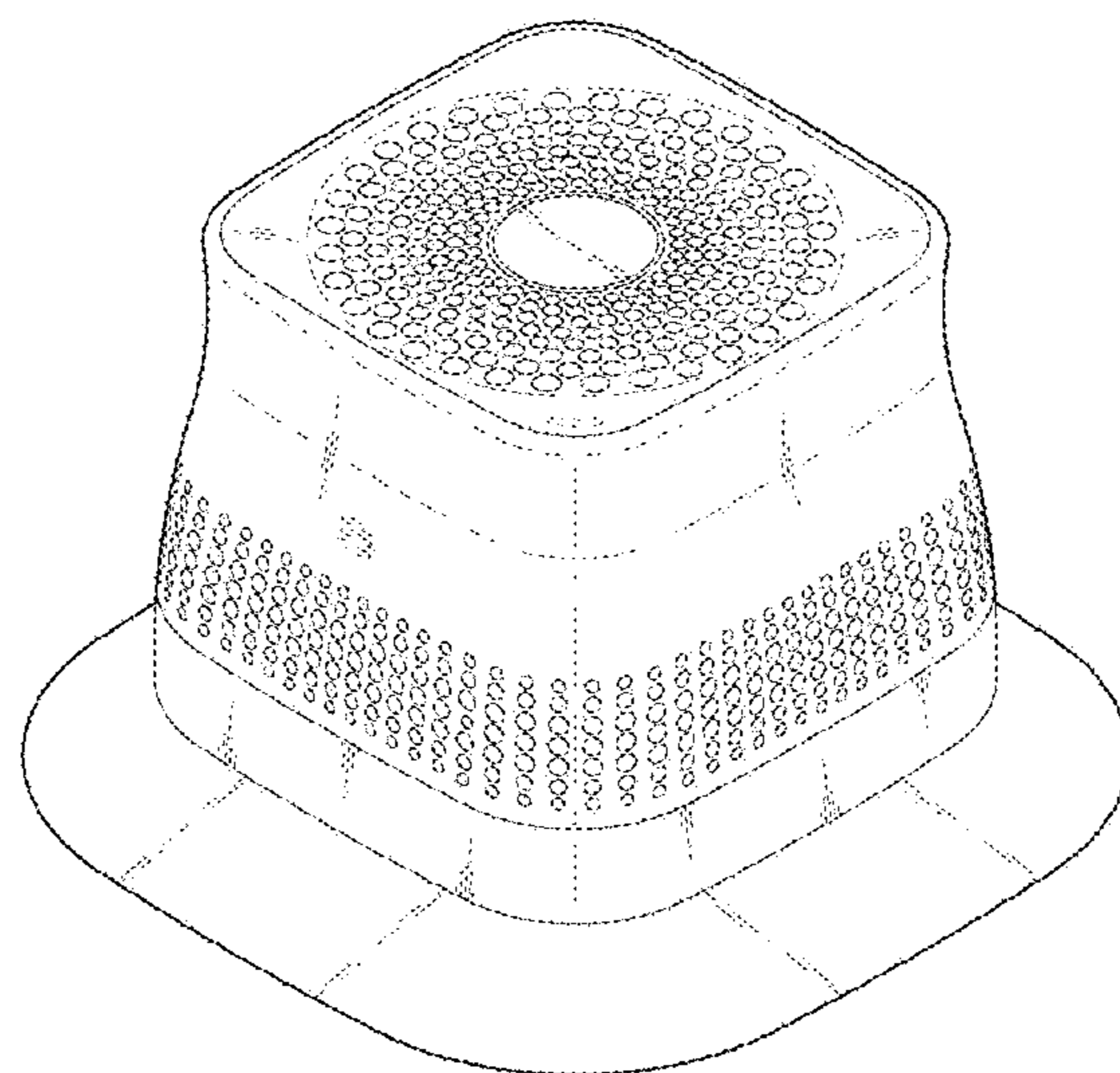
(30) **Foreign Application Priority Data**
Dec. 8, 2016 (KR) 30-2016-0059565
(51) **LOC (11) Cl.** **23-04**
(52) **U.S. Cl.**
USPC **D23/355**
(58) **Field of Classification Search**
USPC D10/106.1–106.3; D23/355
CPC A61L 9/16
See application file for complete search history.

- 1. Portable air purifier
- 1.1 : Perspective
- 1.2 : Front
- 1.3 : Back
- 1.4 : Left
- 1.5 : Top
- 1.6 : Bottom
- 1.7 : Bottom perspective
- 1.8 : Reference

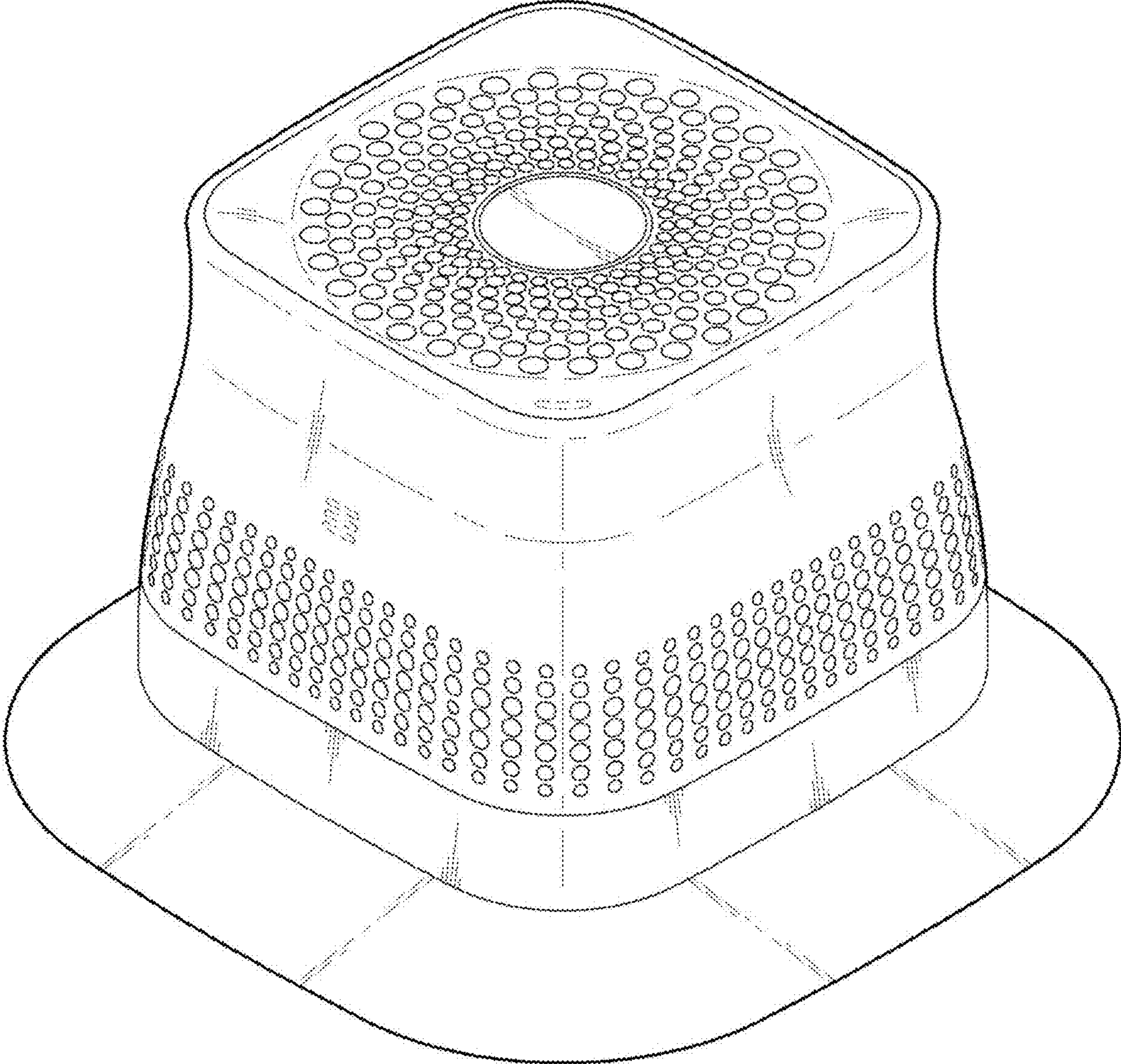
The broken lines depict portions of the portable air purifier that form no part of the claimed design; reproduction 1.1 is a front perspective view of the portable air purifier; reproduction 1.2 is a front view thereof; reproduction 1.3 is a back view thereof; reproduction 1.4 is a left view thereof where the right view is a mirror image; reproduction 1.5 is a top view thereof; reproduction 1.6 is a bottom view thereof; reproduction 1.7 is a bottom perspective view thereof; reproduction 1.8 is a reference photo thereof showing an example of the usage of the subject design and forms no part of the claimed design.

(56) **References Cited**
U.S. PATENT DOCUMENTS
D238,057 S * 12/1975 Pearsall et al. 340/628
D244,362 S * 5/1977 Mayer D10/106.2
D274,368 S * 6/1984 Skarman D10/106.1

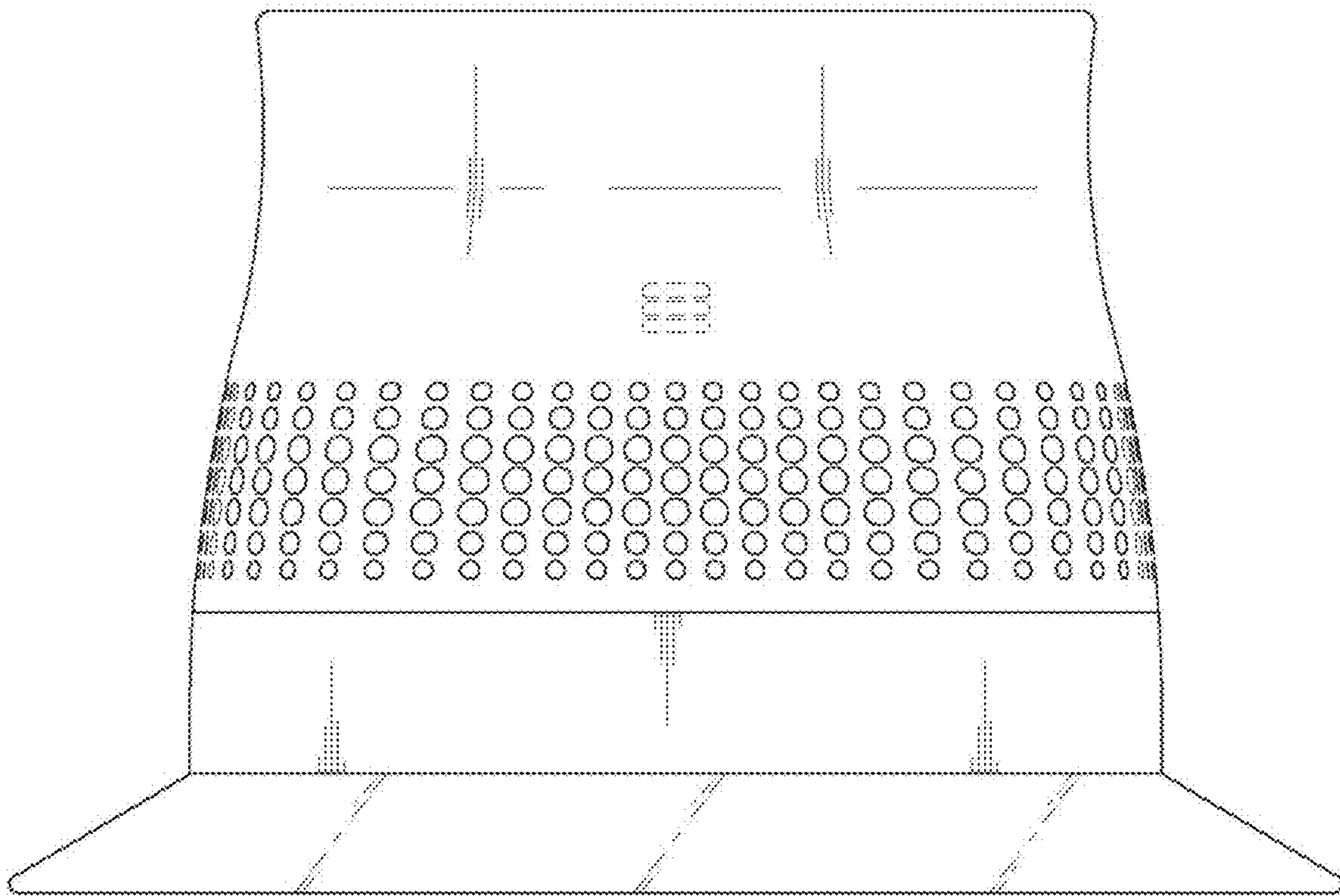
1 Claim, 8 Drawing Sheets



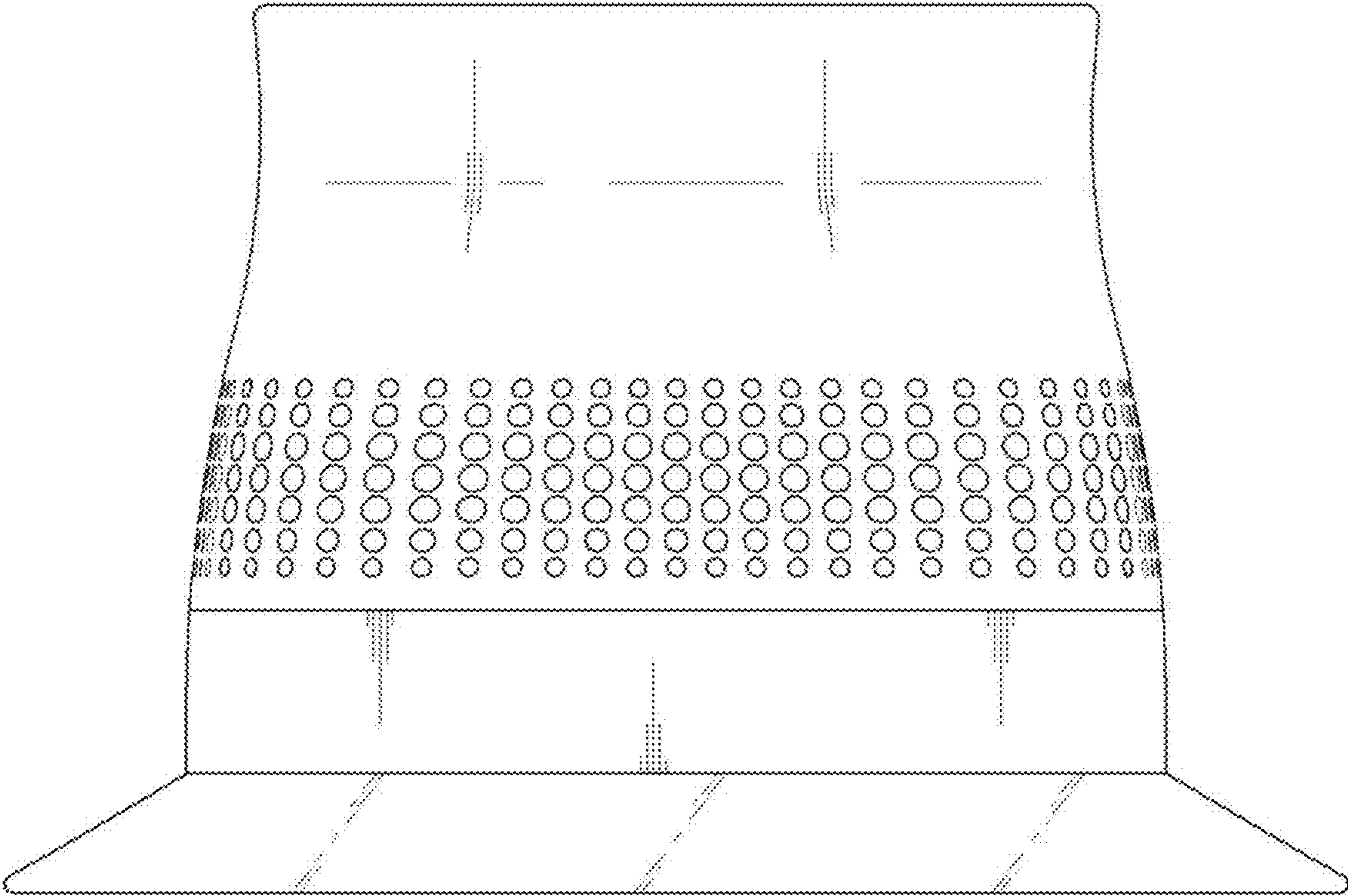
1.1



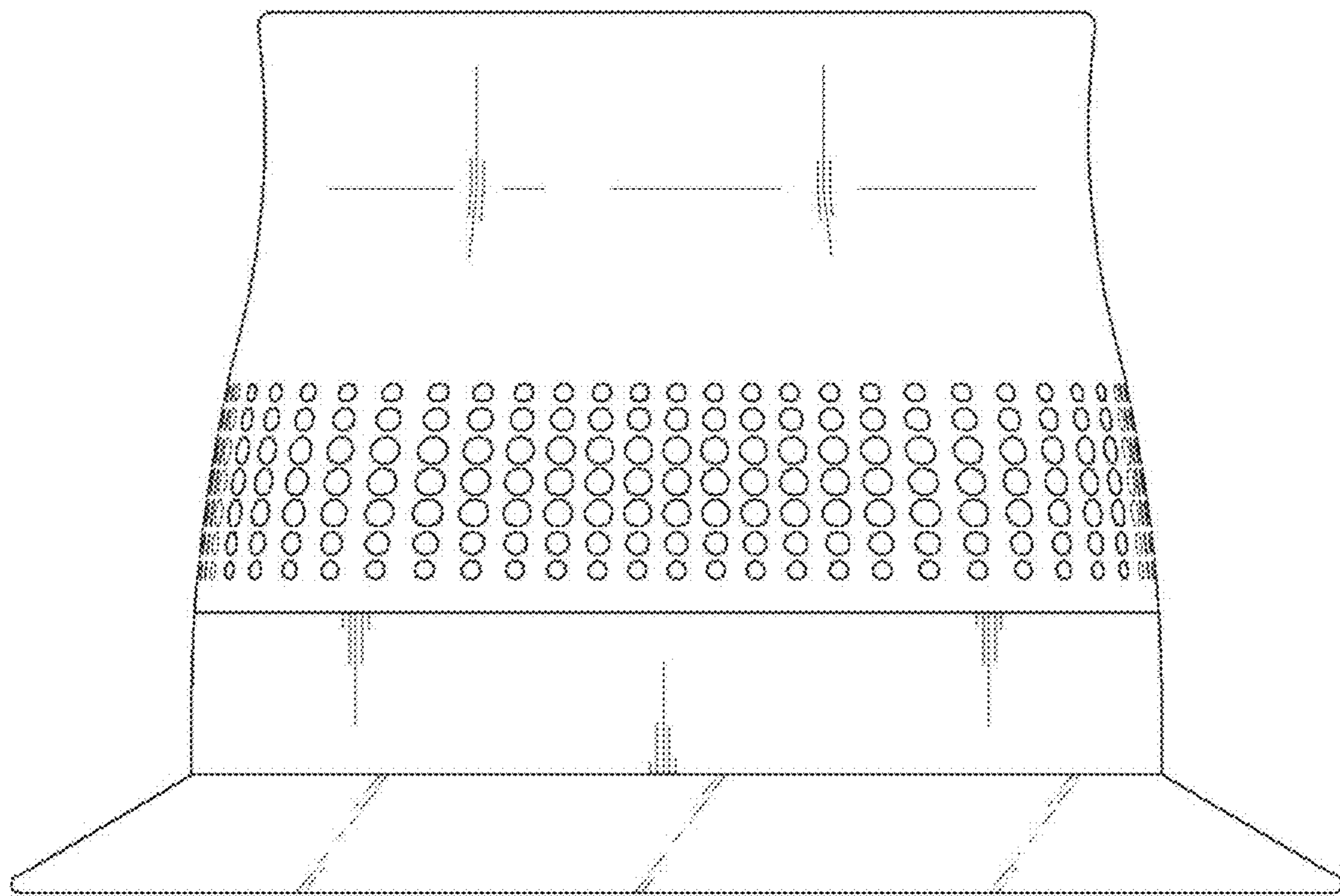
1.2



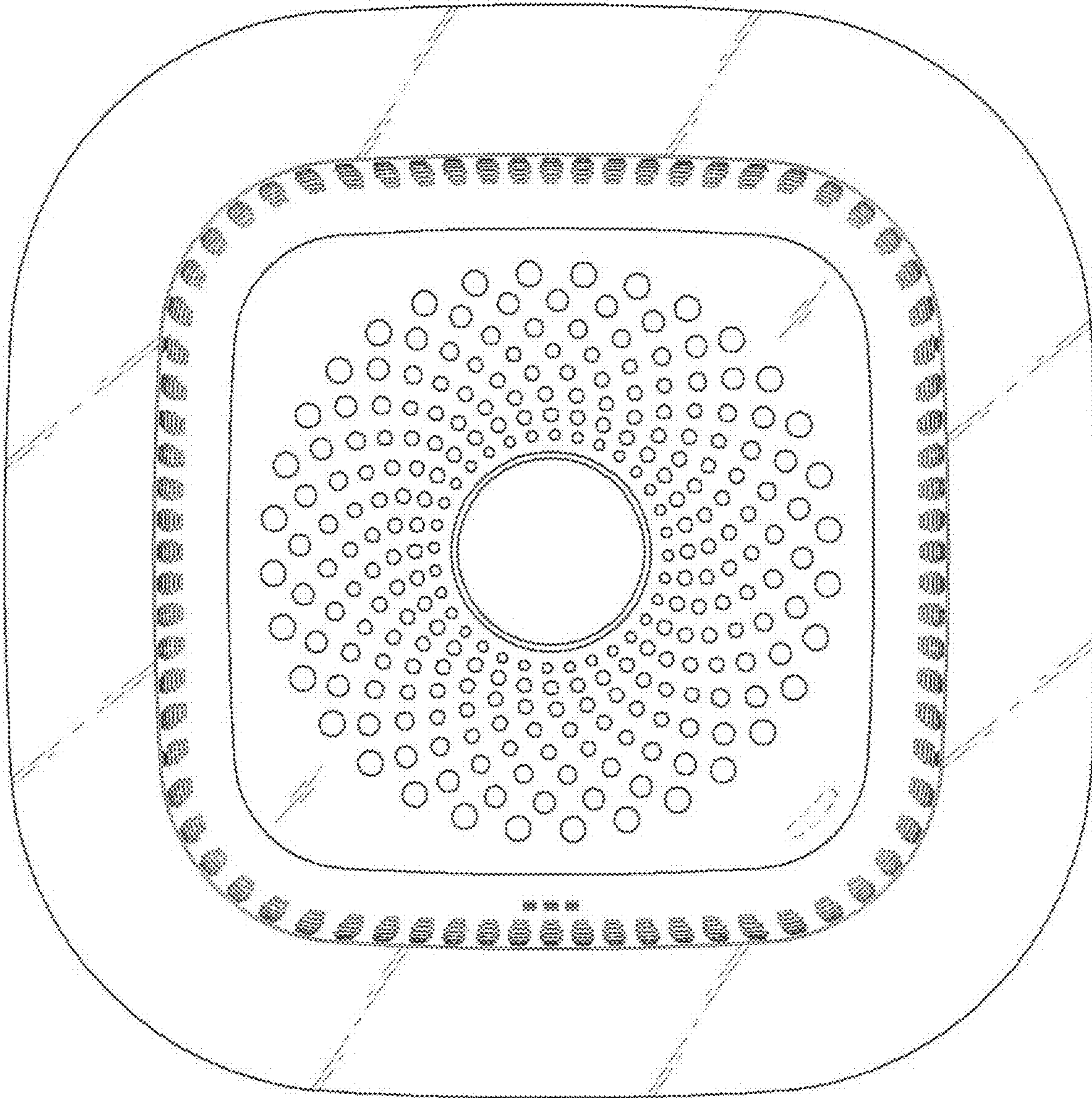
1.3



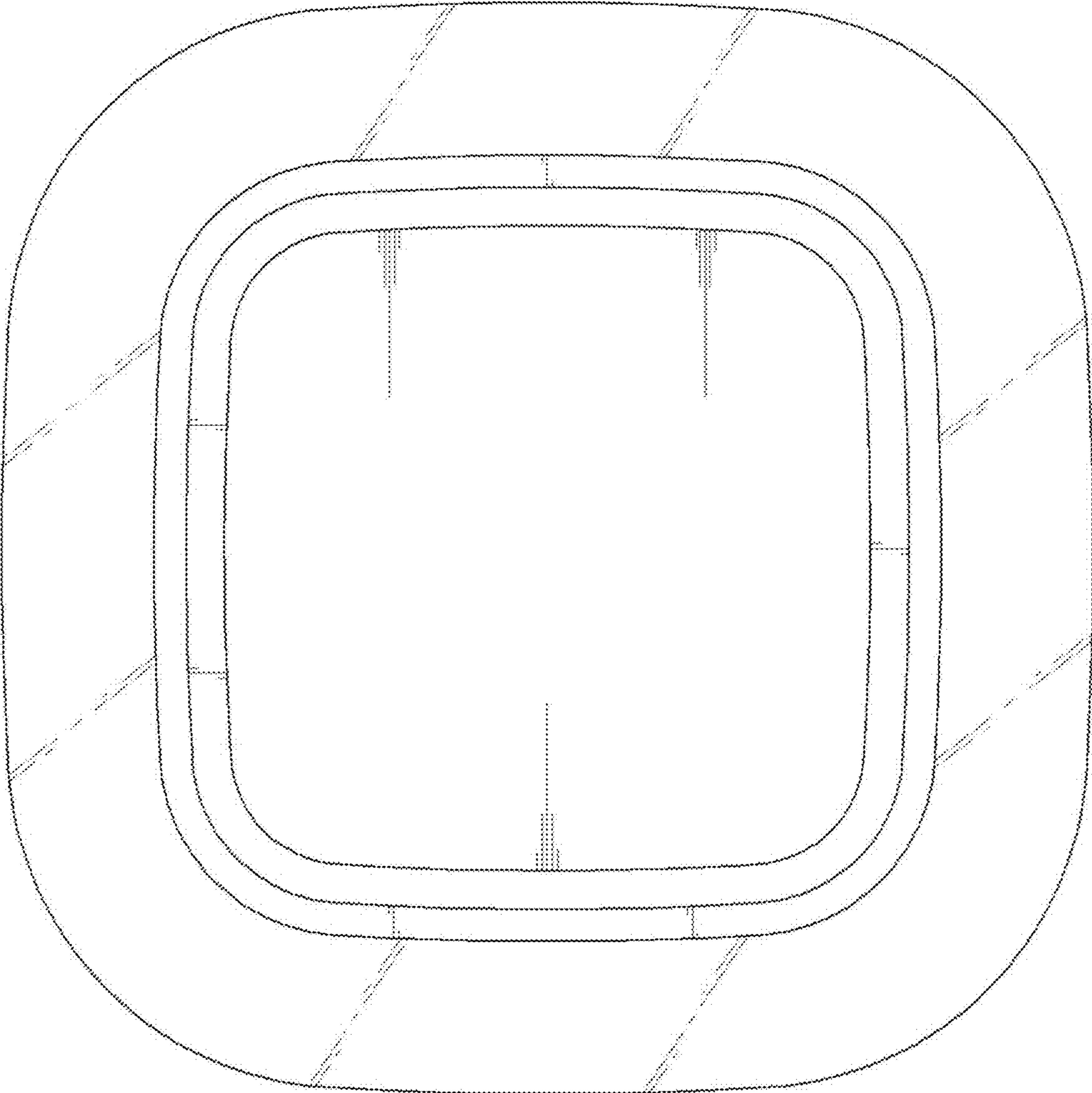
1.4



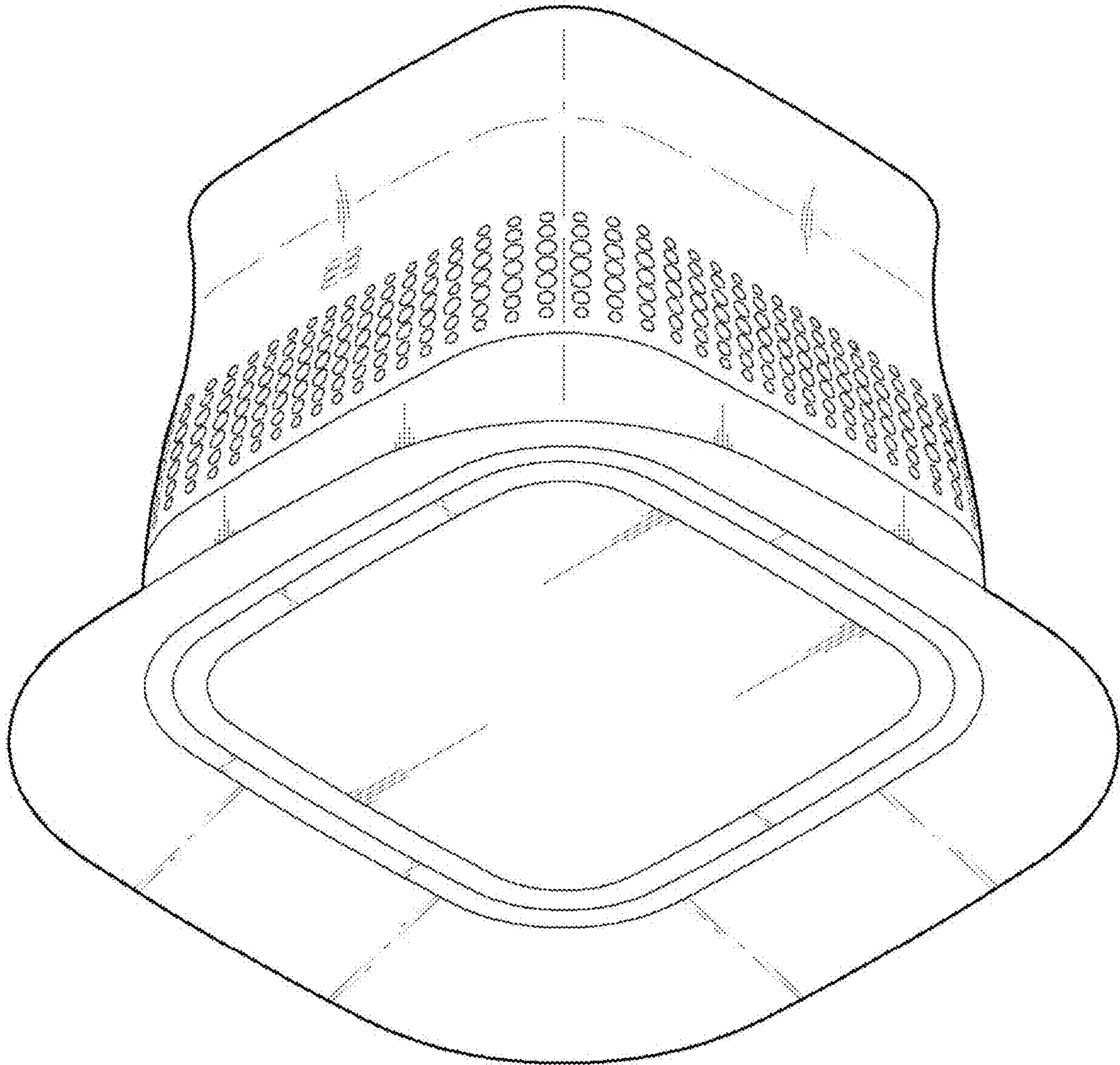
1.5



1.6



1.7



1.8

