



US00D843552S

(12) **United States Design Patent**
Petrucelli

(10) **Patent No.:** **US D843,552 S**
(45) **Date of Patent:** **** Mar. 19, 2019**

(54) **FOUR-HEADED HEATING LAMP ASSEMBLY WITH ADJUSTABLE ARMS**

(71) Applicant: **P.S. Pibbs, Inc.**, Flushing, NY (US)

(72) Inventor: **Giulio Petrucelli**, Flushing, NY (US)

(73) Assignee: **P.S. PIBBS, INC.**, Flushing, NY (US)

(**) Term: **15 Years**

(21) Appl. No.: **29/602,584**

(22) Filed: **May 2, 2017**

(51) **LOC (11) Cl.** **23-03**

(52) **U.S. Cl.**
USPC **D23/337**

(58) **Field of Classification Search**
USPC D23/314, 332, 334, 335, 336, 337, 338, D23/339, 340, 341; D26/61, 62, 63, 64, D26/65, 67, 69, 70, 255, 203; D24/200, D24/209, 210; D28/10, 11, 12, 14, 15, D28/17, 18
CPC .. A45D 20/38; A45D 2020/245; A45D 20/40; A45D 20/20; A45D 2020/065; A45D 20/16; A45D 20/12; A45D 20/00; F24H 3/002; A01G 9/26; H05B 3/0033; H05B 3/0076

See application file for complete search history.

(56) **References Cited**

U.S. PATENT DOCUMENTS

1,419,935	A *	6/1922	Kuhn	F24C 7/065 392/413
1,656,777	A *	1/1928	Dennis	A61N 5/06 219/220
D99,296	S *	4/1936	Norquist	D28/14
D147,600	S *	9/1947	Simon et al.	D24/210
2,500,872	A *	3/1950	Root	F26B 3/30 362/11
D170,925	S *	11/1953	Kaveckas	D24/210

D171,924	S *	4/1954	Barkin	D24/210
2,878,371	A *	3/1959	Hanlin	F21V 29/004 362/294
D189,089	S *	10/1960	Whitener, Jr. et al.	D24/232
D258,010	S *	1/1981	Bowls	D26/63
4,242,810	A *	1/1981	Blanco	A45D 20/16 34/88
4,541,442	A *	9/1985	Hollmann	A45D 20/00 132/212
4,914,273	A *	4/1990	Matsui	A45D 20/08 132/206

(Continued)

Primary Examiner — T Chase Nelson

Assistant Examiner — Ania Aman

(74) *Attorney, Agent, or Firm* — Gerald E. Hespos;
Michael J. Porco; Matthew T. Hespos

(57) **CLAIM**

The ornamental design for a four-headed heating lamp assembly with adjustable arms, as shown and described.

DESCRIPTION

FIG. 1 is a perspective view of a four-headed heating lamp assembly with adjustable arms in accordance with my design;

FIG. 2 is a front elevational view of the four-headed heating lamp assembly with adjustable arms of FIG. 1;

FIG. 3 is a rear elevational view thereof;

FIG. 4 is a side elevational view thereof taken from the right side of FIGS. 1 and 2;

FIG. 5 is a side elevational view thereof taken from the left side of FIGS. 1 and 2;

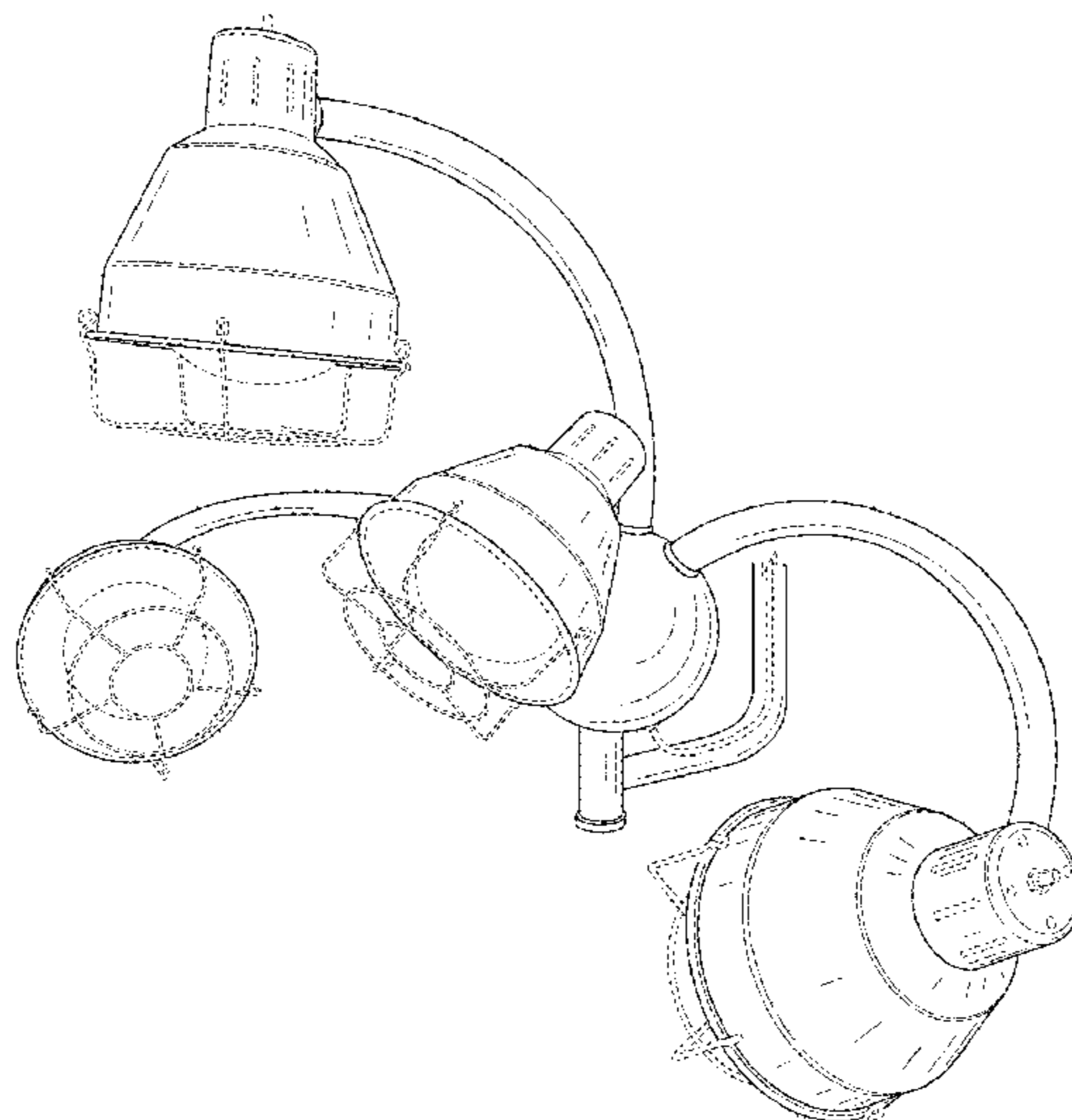
FIG. 6 is a top plan view thereof; and,

FIG. 7 is a bottom plan view thereof.

The broken lines represent portions of the structure that form no part of the claimed design.

The broken away symbols in the drawings indicate that any portion of the article beyond what is shown forms no part of the claimed design.

1 Claim, 7 Drawing Sheets



(56)

References Cited

U.S. PATENT DOCUMENTS

D321,411 S * 11/1991 Moll D28/17
5,231,770 A * 8/1993 Fertig A45D 20/20
219/415
D386,803 S * 11/1997 Swanson D26/62
D456,067 S * 4/2002 Kalina D23/336
6,430,365 B1 * 8/2002 Shimizu A45D 20/20
34/266
D477,111 S * 7/2003 Zimmermann D28/17
D527,490 S * 8/2006 Patzak D28/17
7,479,618 B2 * 1/2009 Liebeck A45D 20/20
219/217
D764,089 S * 8/2016 Gelman D26/62
D822,865 S * 7/2018 Fassi D26/60
2012/0145699 A1 * 6/2012 McMahan H05B 3/0076
219/533

* cited by examiner

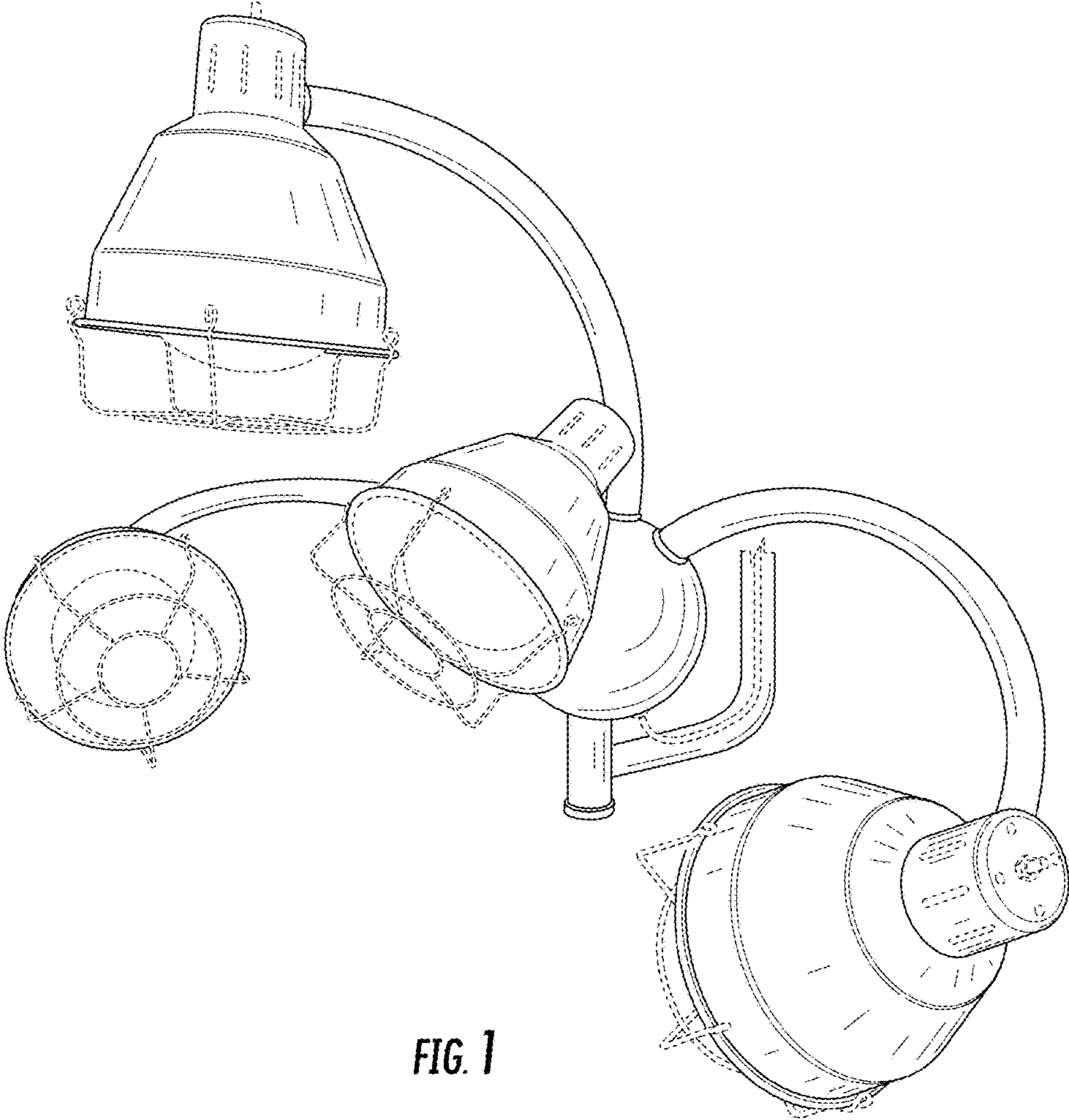
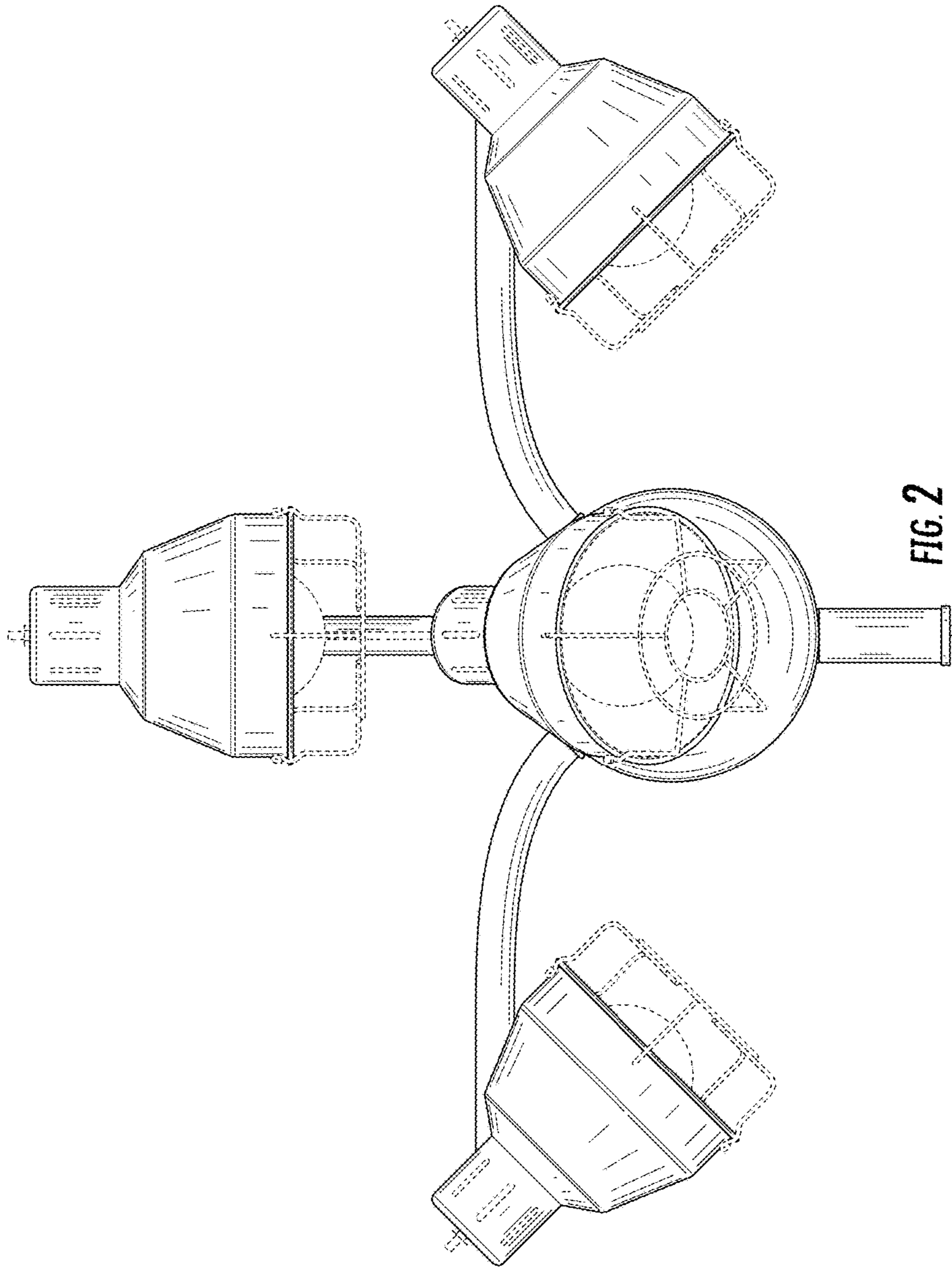


FIG. 1



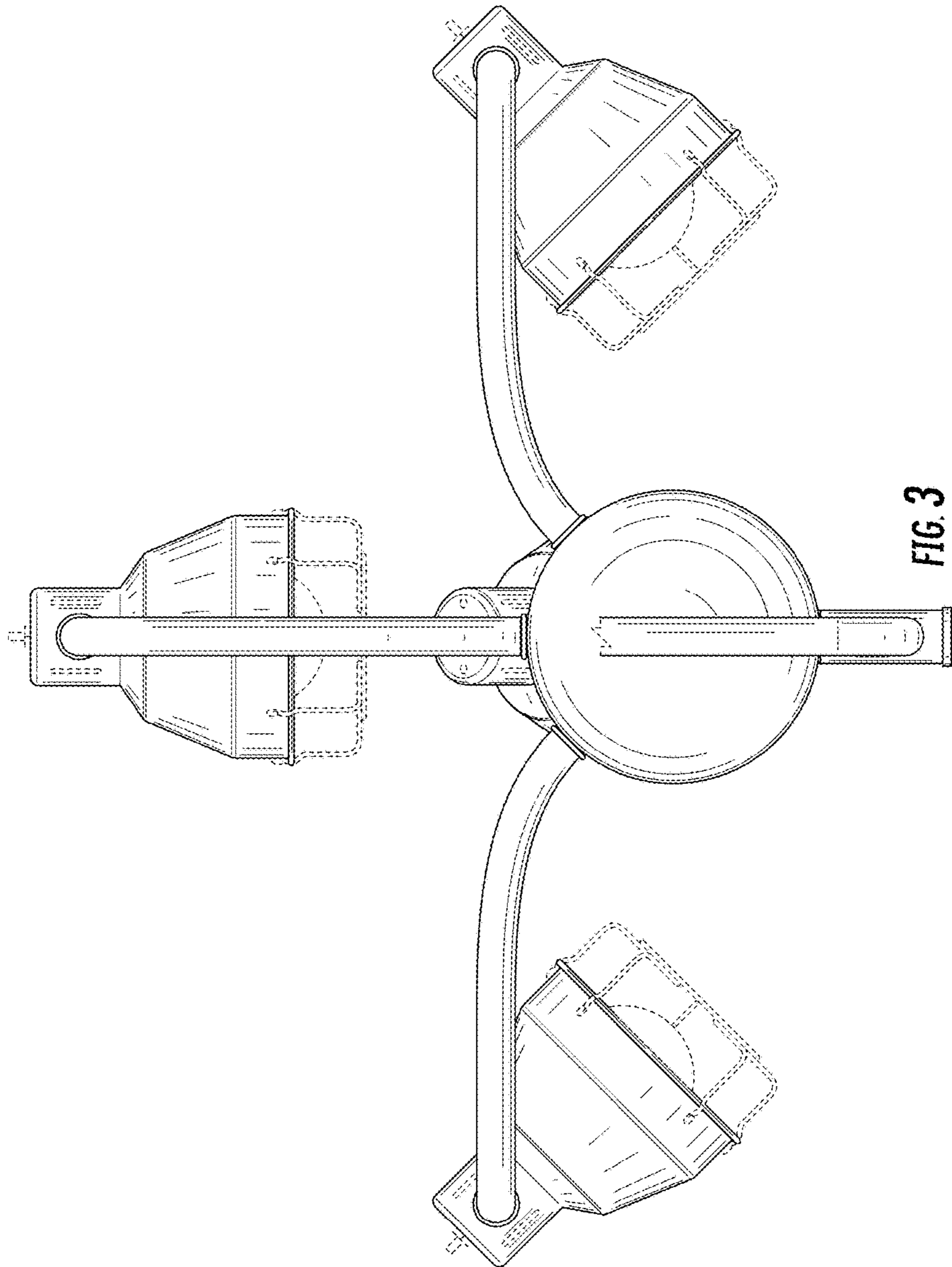


FIG. 3

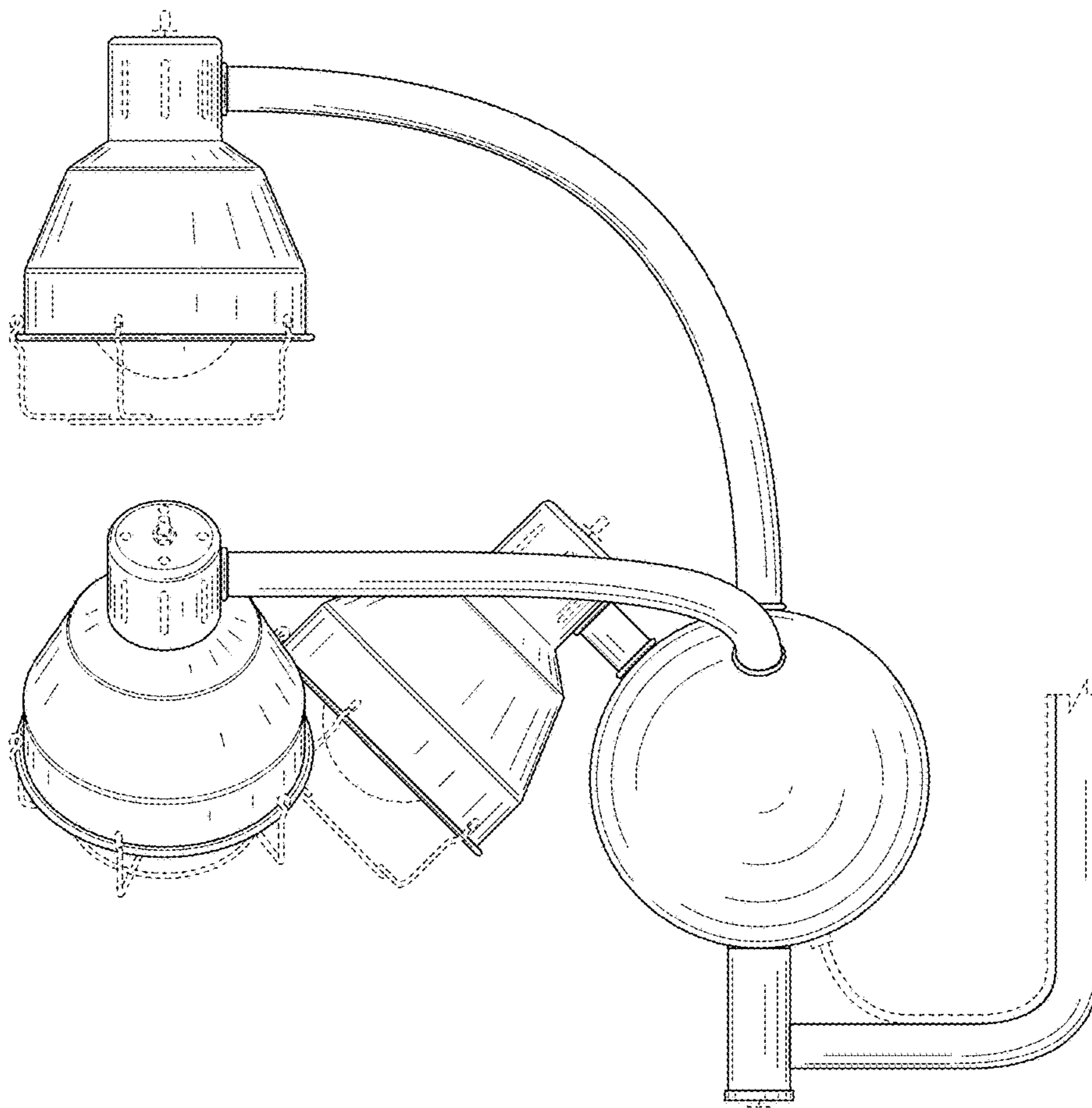


FIG. 4

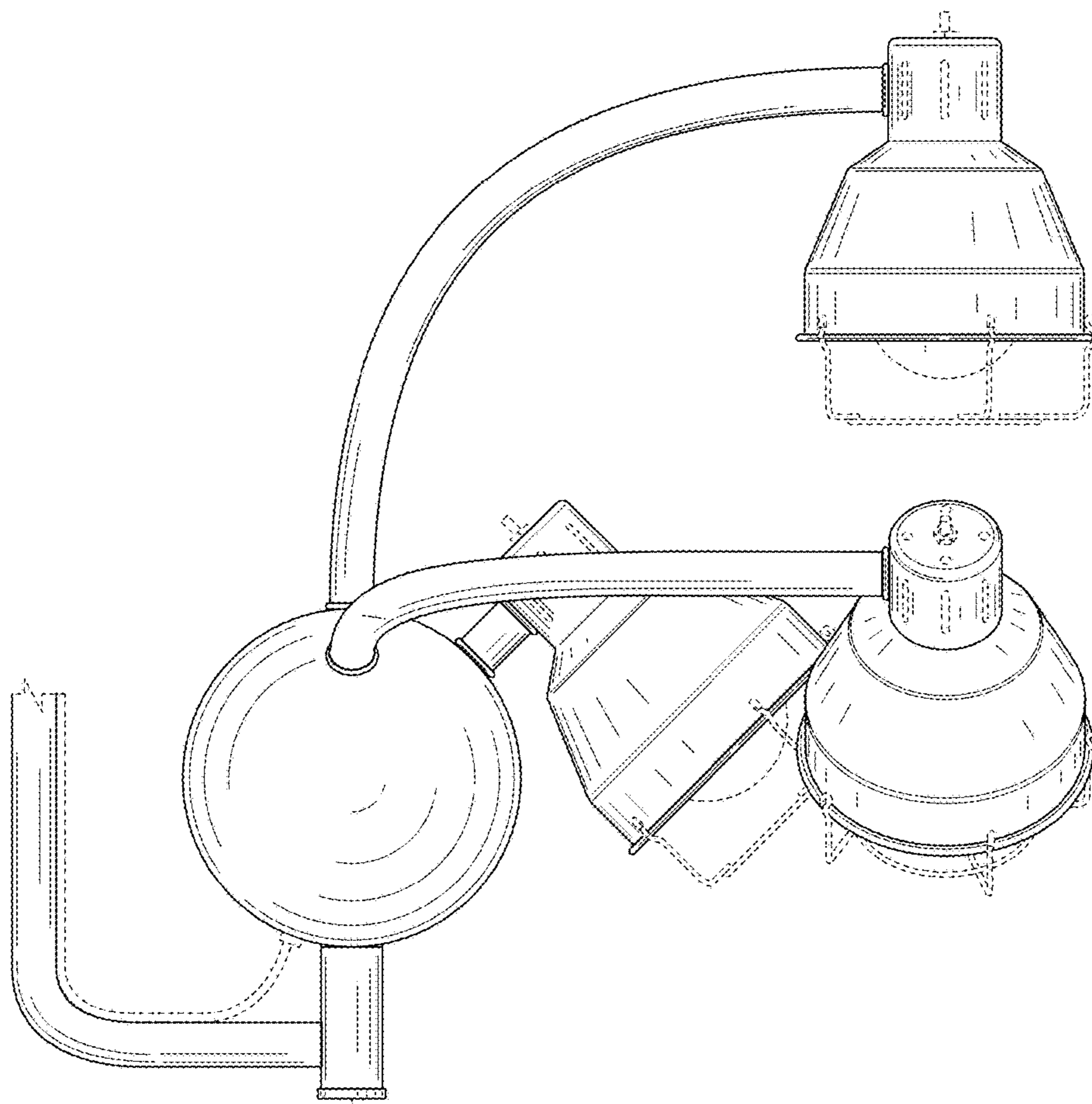


FIG. 5

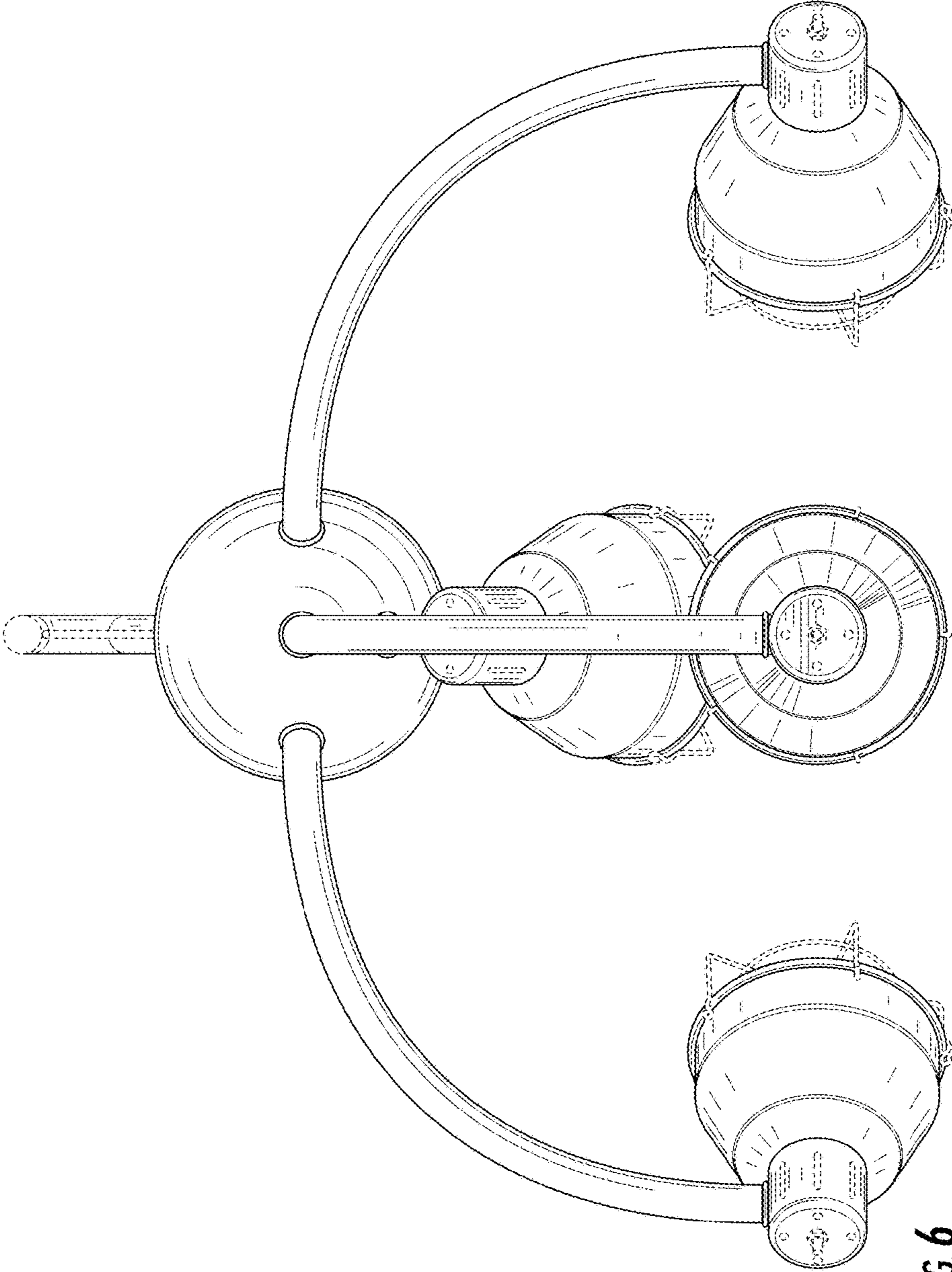


FIG. 6

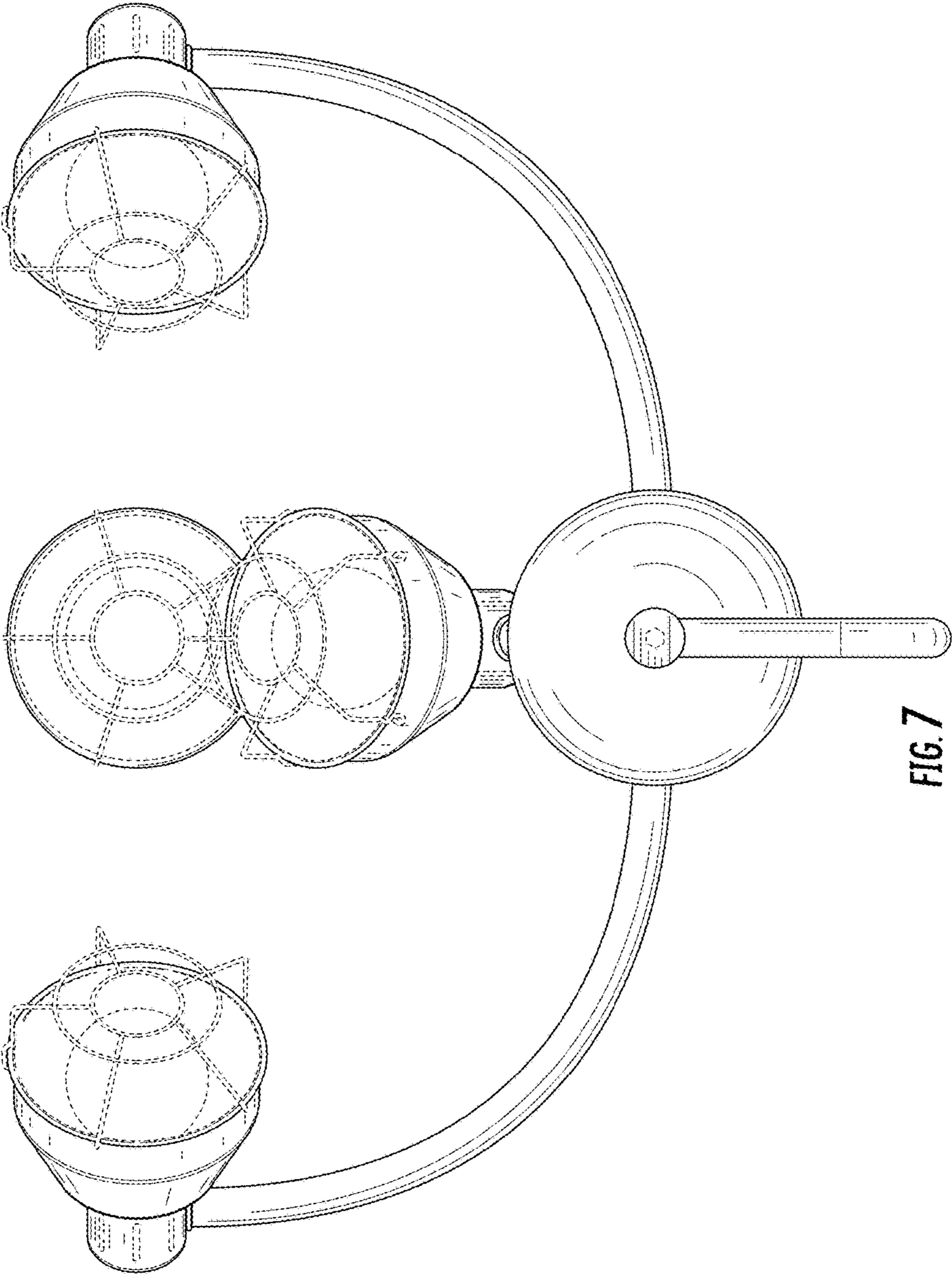


FIG. 7