



US00D843551S

(12) **United States Design Patent** (10) **Patent No.:** **US D843,551 S**
Pople (45) **Date of Patent:** **** Mar. 19, 2019**

(54) **DRAIN TEMPLATE**

(71) Applicant: **Benjamin Pople**, East Syracuse, NY
(US)

(72) Inventor: **Benjamin Pople**, East Syracuse, NY
(US)

(**) Term: **15 Years**

(21) Appl. No.: **29/614,440**

(22) Filed: **Aug. 18, 2017**

(51) **LOC (11) Cl.** **23-01**

(52) **U.S. Cl.**
USPC **D23/261**

(58) **Field of Classification Search**
USPC D23/259-261, 207-208, 268; D8/1;
4/222, 222.1, 227.5, 286-294, 309;
210/153, 163-166, 167.1, 167.11, 198.1,
210/206, 209, 212, 247, 251
CPC . E03C 1/26; E03C 1/264; E02D 29/12; E03F
1/00; E03F 5/0407

See application file for complete search history.

(56) **References Cited**

U.S. PATENT DOCUMENTS

- 3,406,829 A * 10/1968 Vande Bosche E03F 5/0407
210/164
- D291,049 S * 7/1987 Haggard D8/1
- D428,120 S * 7/2000 Zaldivar D23/261
- 6,442,774 B2 * 9/2002 Wilson E04H 4/1236
4/292
- D562,995 S * 2/2008 Diamond D25/155
- 8,347,906 B1 * 1/2013 Ismert E03F 5/0407
137/15.01
- D703,497 S * 4/2014 Haggard D8/1

- 8,726,926 B2 * 5/2014 Klein F16K 43/00
137/315.15
- 2004/0181868 A1 * 9/2004 Witte E04H 4/1236
4/507
- 2006/0124519 A1 * 6/2006 Glazik E03F 1/00
210/163
- 2007/0177942 A1 * 8/2007 Meyers E03F 3/046
405/40
- 2011/0203048 A1 * 8/2011 Fima E03C 1/281
4/679
- 2016/0244955 A1 * 8/2016 Allred, III E03C 1/126

OTHER PUBLICATIONS

Angies List, Is Your Shower Tile Really Waterproof, [Visited Online Oct. 8, 2018] Published Feb. 1, 2016, <https://www.angieslist.com/articles/your-shower-tile-really-waterproof.htm>.*

* cited by examiner

Primary Examiner — Eric L Goodman
Assistant Examiner — Amy C Wierenga
(74) *Attorney, Agent, or Firm* — Brown & Michaels, PC

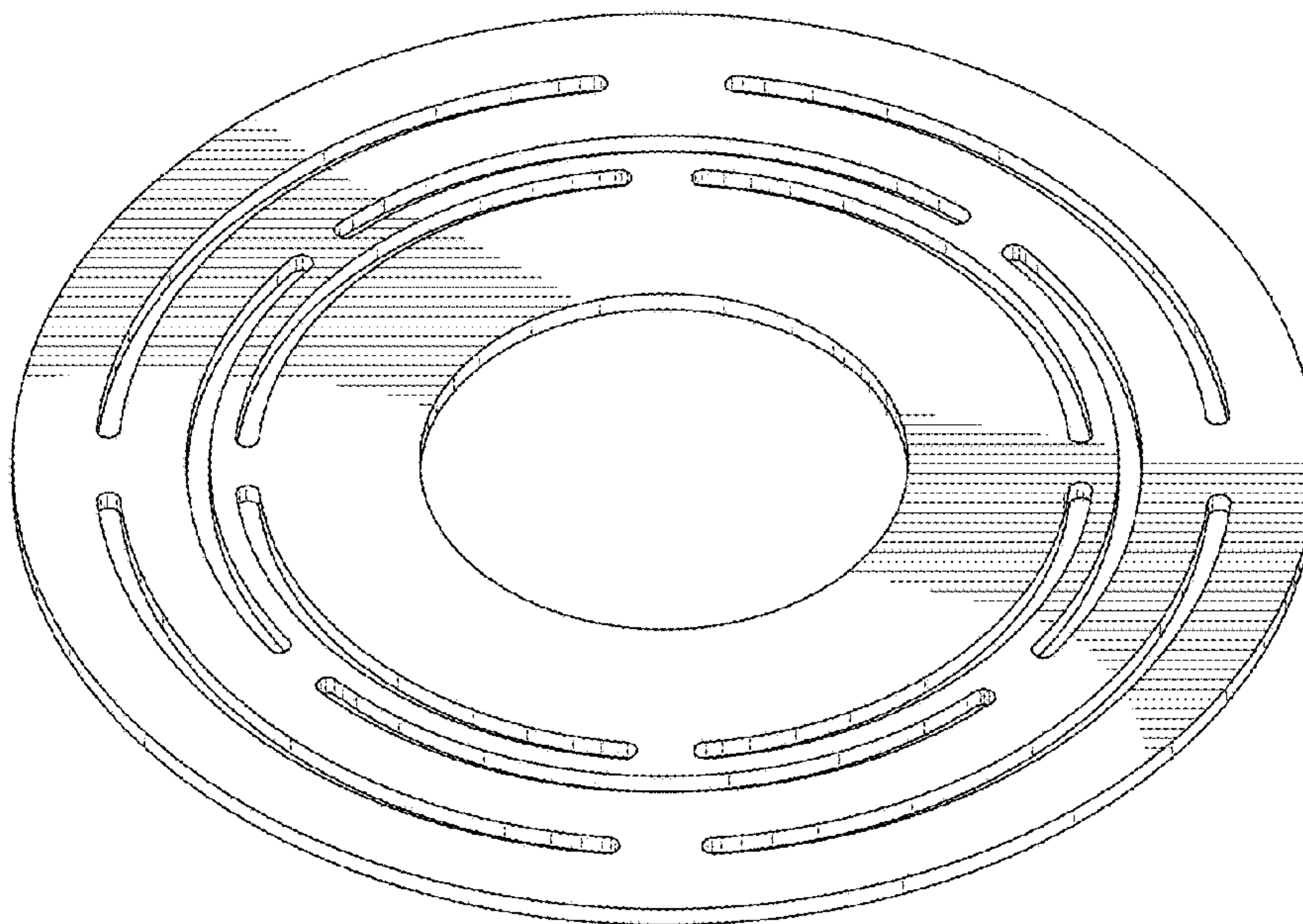
(57) **CLAIM**

The ornamental design for a drain template, as shown and described.

DESCRIPTION

FIG. 1 is a perspective view of the drain template of the present invention.
FIG. 2 is a top view of the drain template.
FIG. 3 is a bottom view of the drain template; and,
FIG. 4 is a side view of the drain template. The plate is round and the other side views are identical.

1 Claim, 4 Drawing Sheets



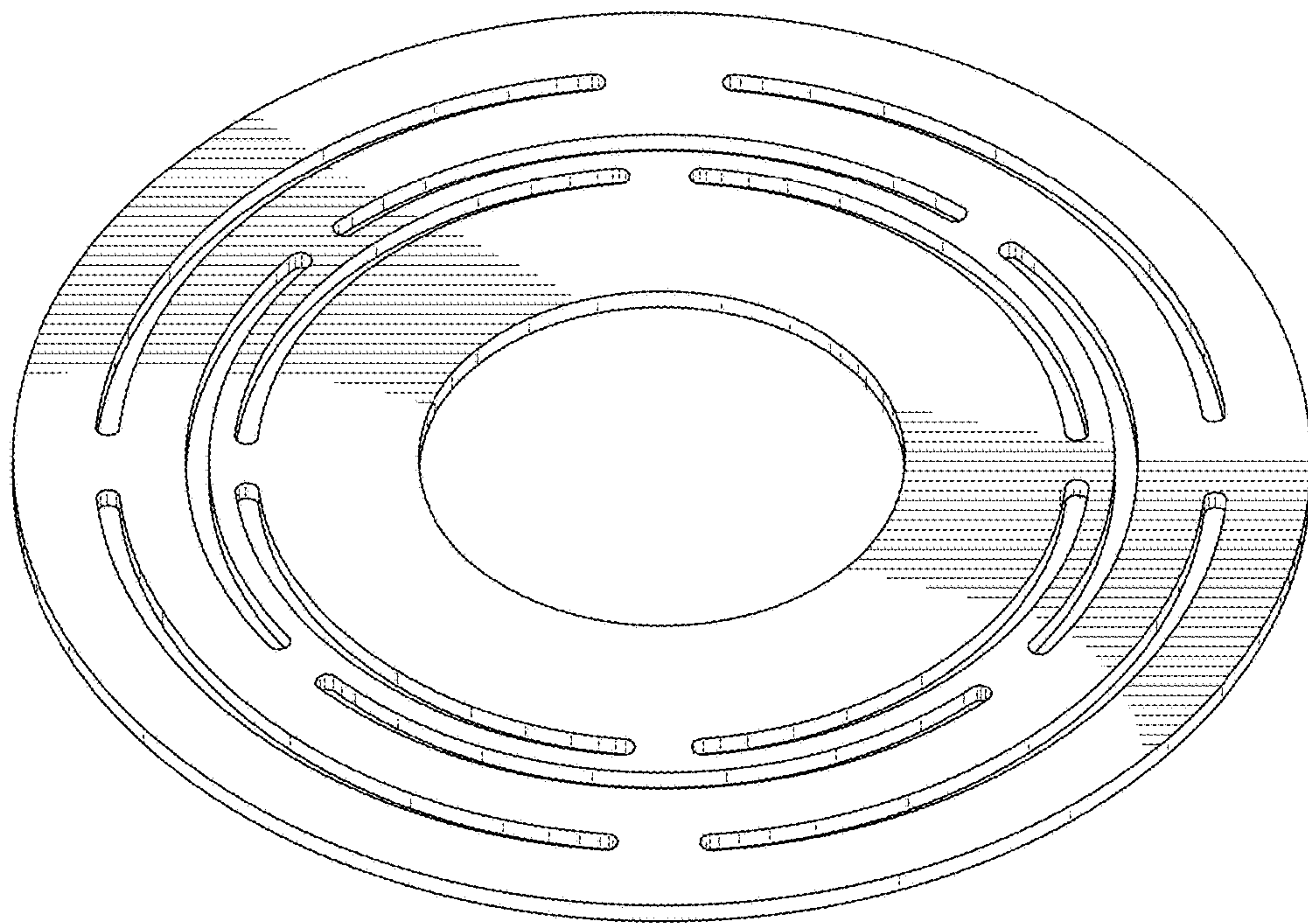


FIG. 1

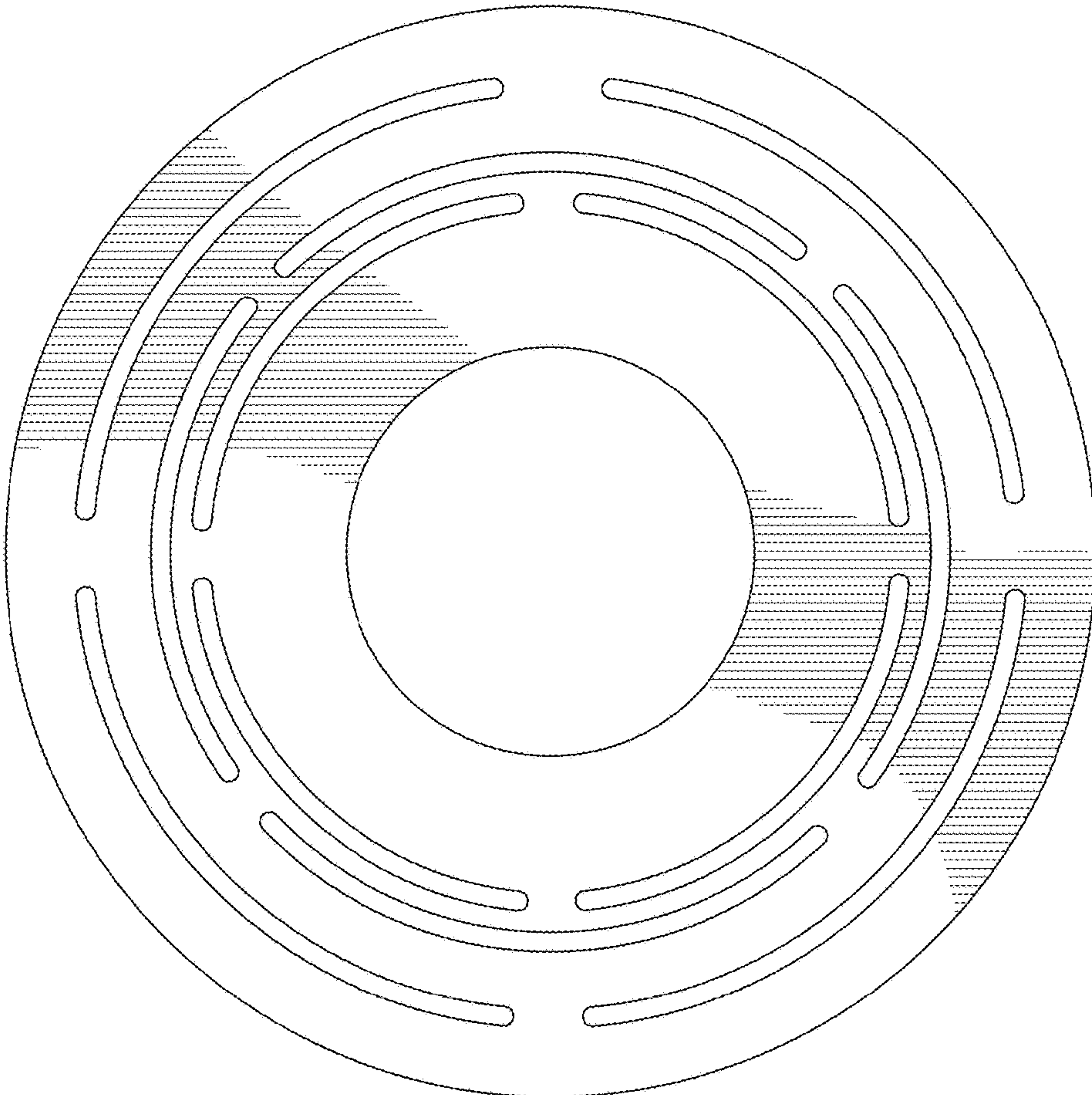


FIG. 2

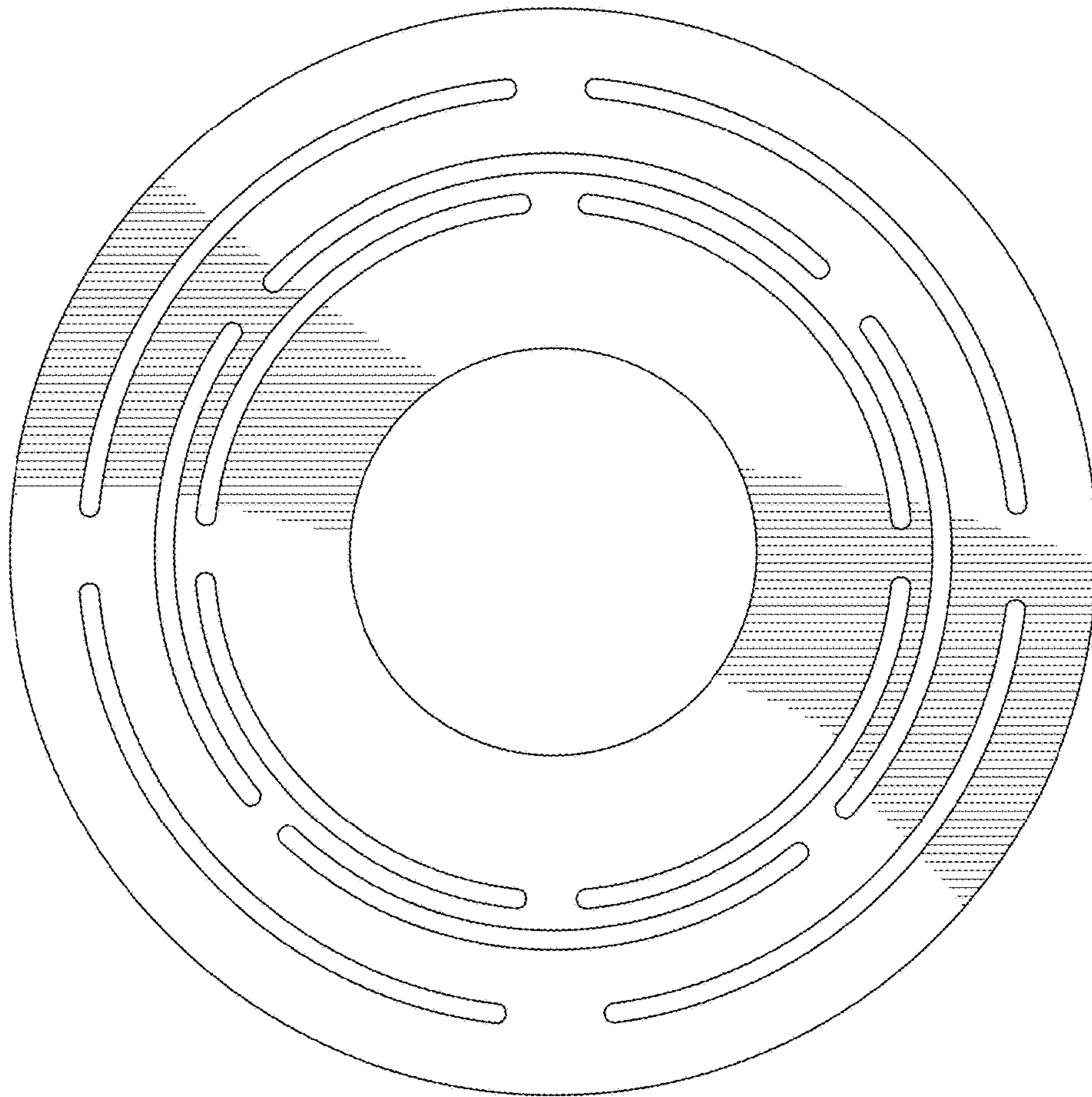


FIG. 3

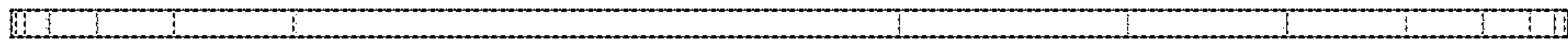


FIG. 4