



US00D843548S

(12) **United States Design Patent**  
**Hsu et al.**

(10) **Patent No.:** **US D843,548 S**  
(45) **Date of Patent:** **\*\* Mar. 19, 2019**

(54) **SALTWATER SYSTEM**  
(71) Applicant: **Intex Marketing Ltd.**, Tortola (VG)  
(72) Inventors: **Yaw Yuan Hsu**, Fujian (CN); **Zhi Xiong Huang**, Fujian (CN); **Yonggui Chen**, Fujian (CN); **James Sener**, Glastonbury, CT (US); **Christopher David Hageman**, Glastonbury, CT (US); **Scott Herman Smith**, Hartford, CT (US)

7,897,019 B2 \* 3/2011 Akers ..... B01D 1/14  
203/10  
D682,387 S \* 5/2013 Tseng ..... D23/207  
D682,985 S \* 5/2013 Palmer ..... D23/209  
D706,386 S \* 6/2014 Ambler ..... D23/207  
D707,792 S \* 6/2014 Collins ..... B01D 1/14  
D23/209  
D727,460 S \* 4/2015 Collins ..... B01D 1/0082  
D23/207  
D731,618 S \* 6/2015 Yeh ..... B01D 1/04  
D23/209

(73) Assignee: **Intex Marketing Ltd.**, Tortola (VG)

(\*\*) Term: **15 Years**

(21) Appl. No.: **29/613,746**

(22) Filed: **Aug. 13, 2017**

(30) **Foreign Application Priority Data**

Feb. 14, 2017 (CN) ..... 2017 3 0039124

(51) **LOC (11) Cl.** ..... **23-01**

(52) **U.S. Cl.**  
USPC ..... **D23/207**

(58) **Field of Classification Search**  
USPC ..... D23/207, 209; 202/232, 234  
CPC . C02F 1/003; C02F 1/42; C02F 3/305; B01D  
35/30; B01D 35/153; B01D 29/111;  
B01D 39/12; B29C 47/682  
See application file for complete search history.

(56) **References Cited**

**U.S. PATENT DOCUMENTS**

4,537,039 A \* 8/1985 Fearon ..... B01D 1/04  
202/233  
5,645,693 A \* 7/1997 Gode ..... B01D 1/0082  
202/173

**OTHER PUBLICATIONS**

Intex, Manual of "Krystal Clear Saltwater System", Model CS7110, Jun. 28, 2013.  
Intex, Manual of "Saltwater System with E.C.O. (Electrocatalytic Oxidation)", Model EC7110 and 8110, May 15, 2015.

\* cited by examiner

*Primary Examiner* — Robin V Webster

(74) *Attorney, Agent, or Firm* — Faegre Baker Daniels LLP

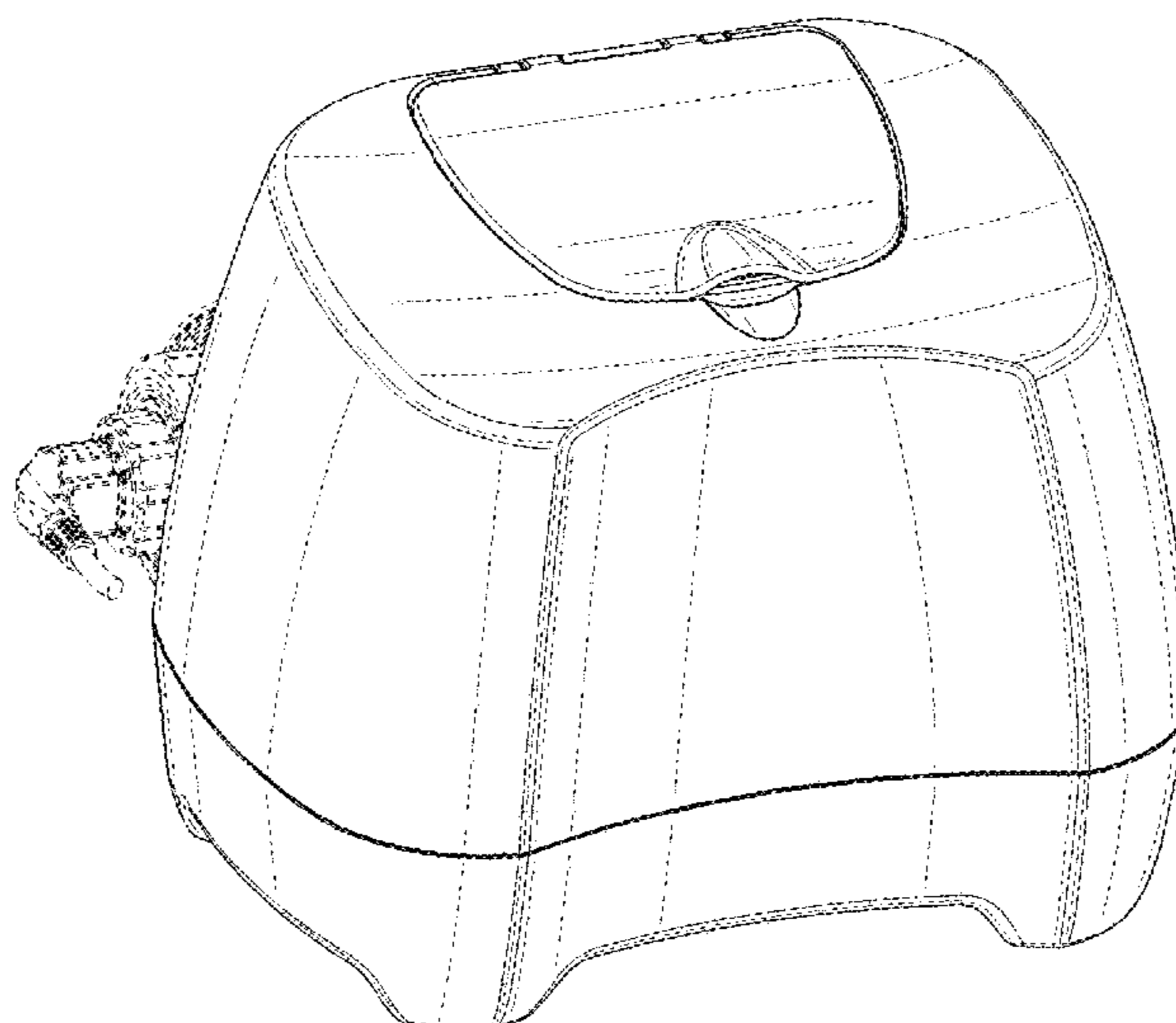
(57) **CLAIM**

We claim the ornamental design for a saltwater system, as shown and described.

**DESCRIPTION**

FIG. 1 is a front, perspective view of a saltwater system; FIG. 2 is a rear, perspective view thereof; FIG. 3 is a front, elevational view thereof; FIG. 4 is a rear, elevational view thereof; FIG. 5 is a left side elevational view thereof; FIG. 6 is a right side elevational view thereof; FIG. 7 is a top plan view thereof; and, FIG. 8 is a bottom plan view thereof.  
The broken lines in FIGS. 1-8 represent portions of the saltwater system that form no part of the claimed design.

**1 Claim, 8 Drawing Sheets**



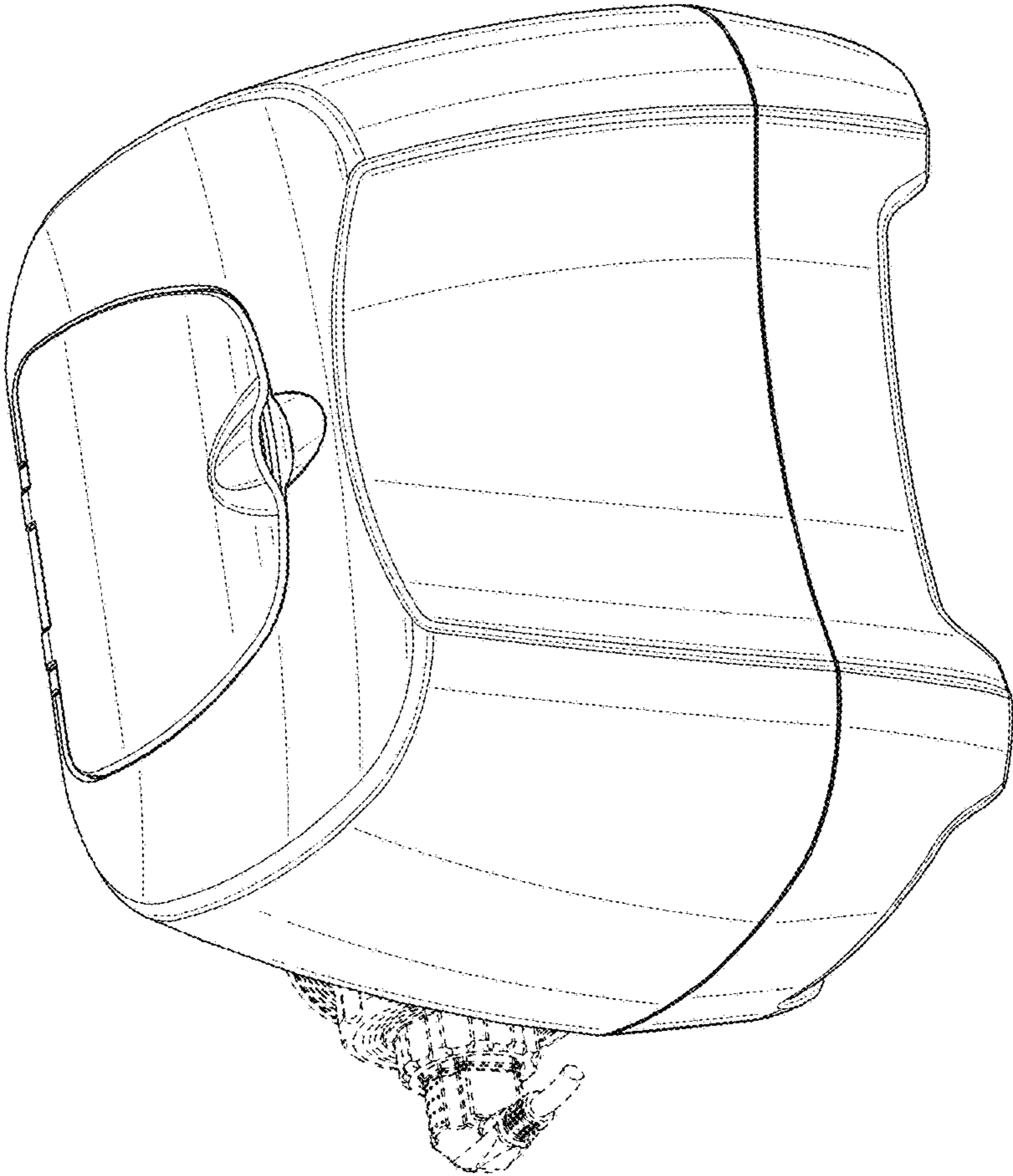


FIG. 1

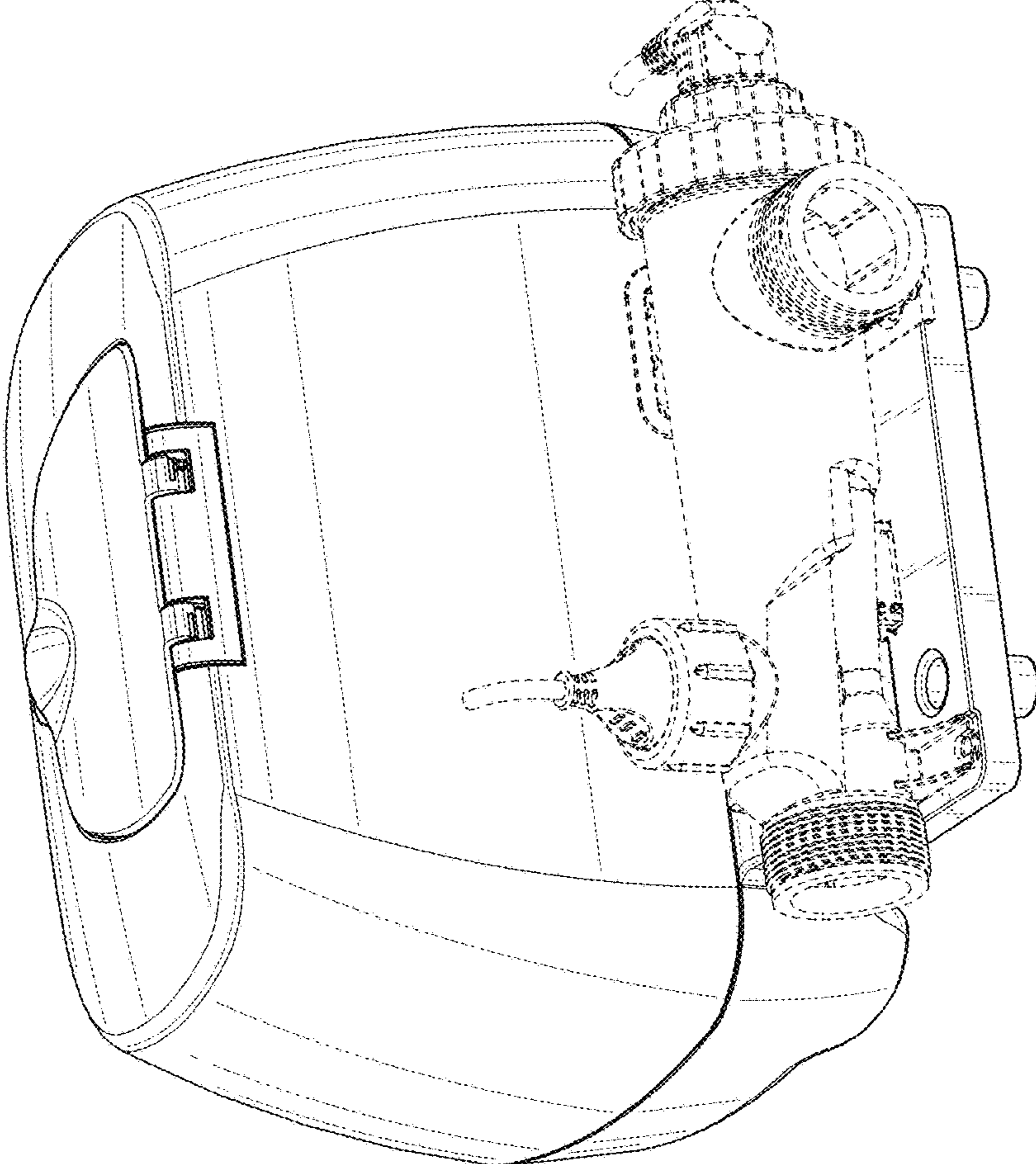


FIG. 2

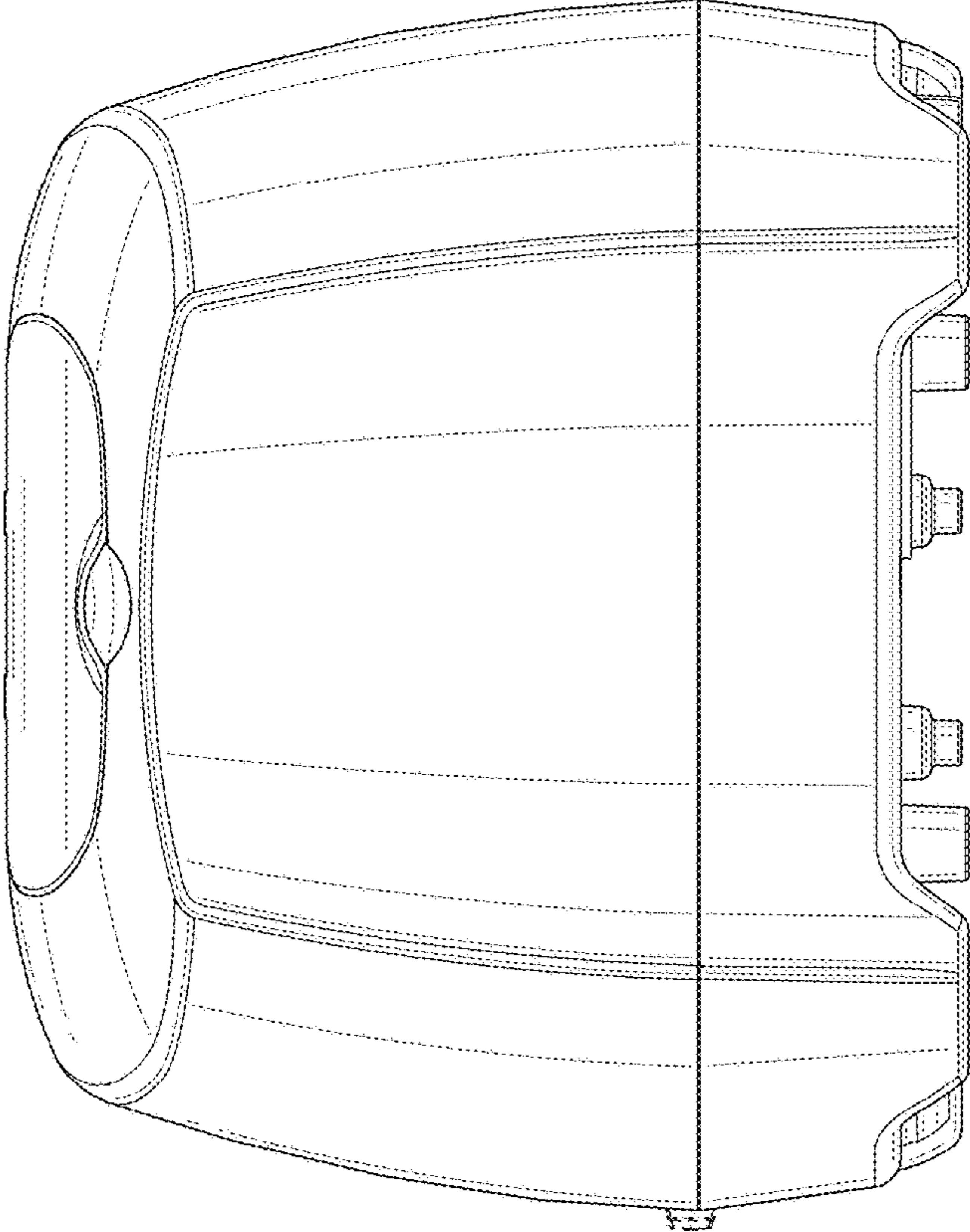


FIG. 3

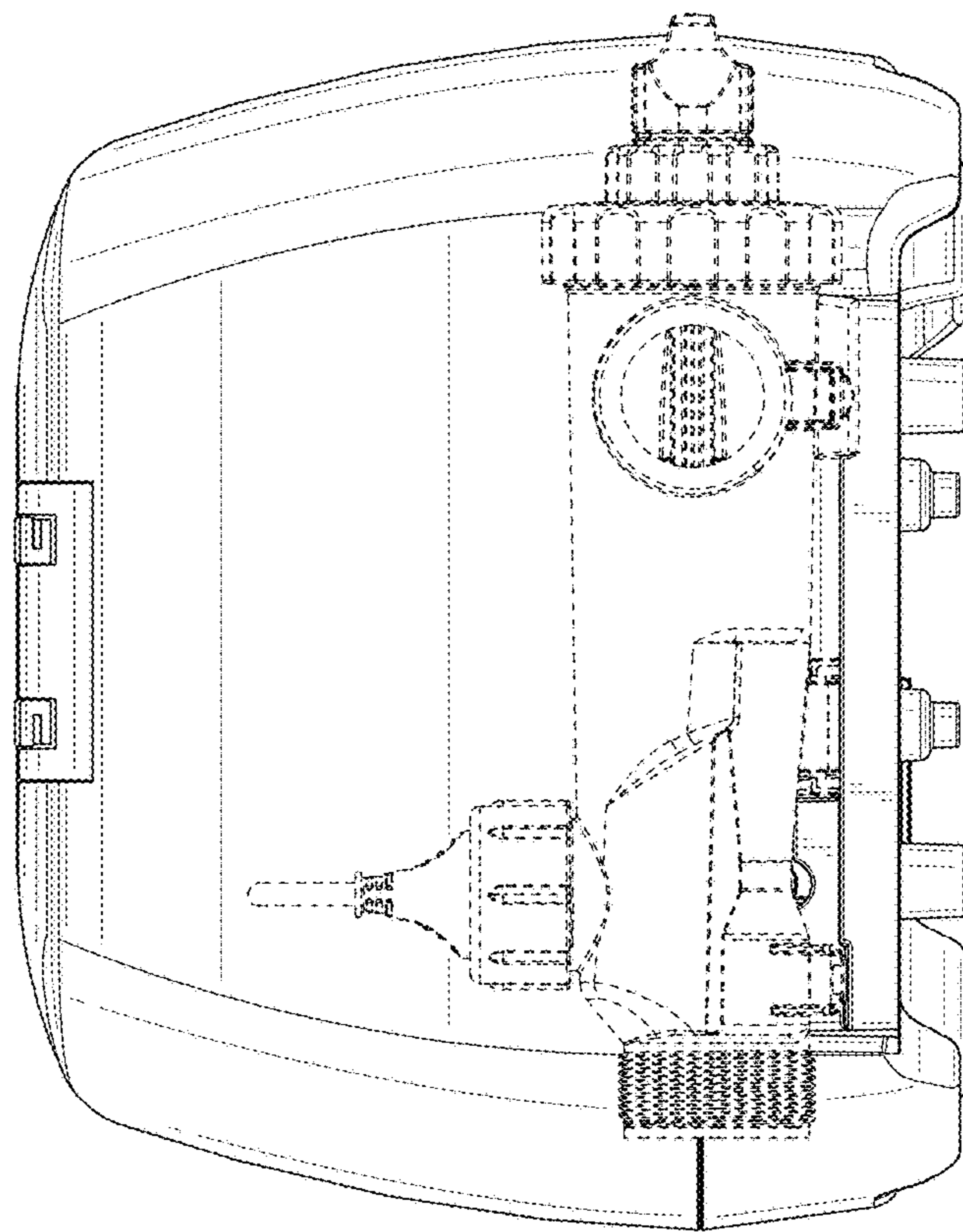


FIG. 4

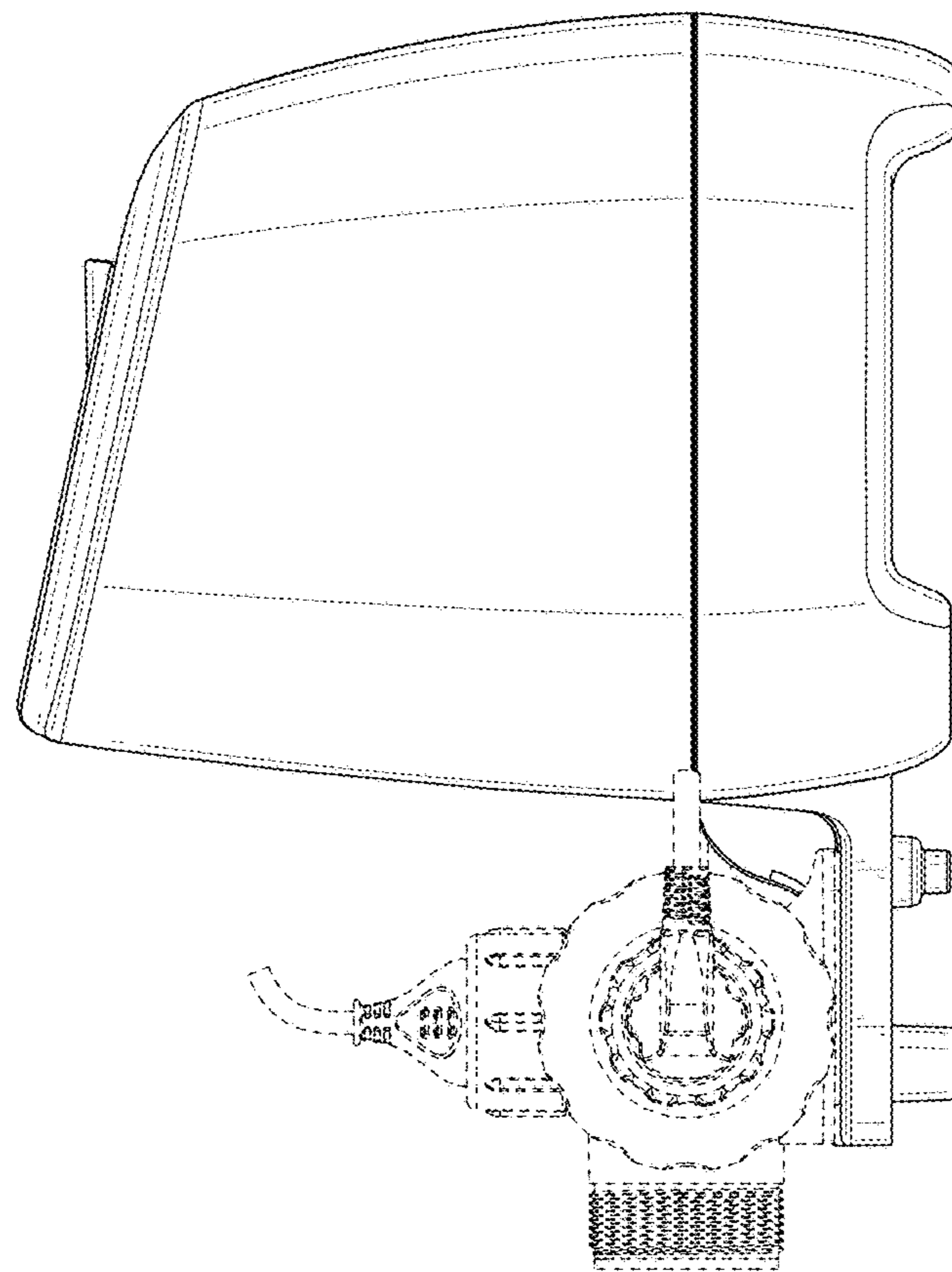


FIG. 5

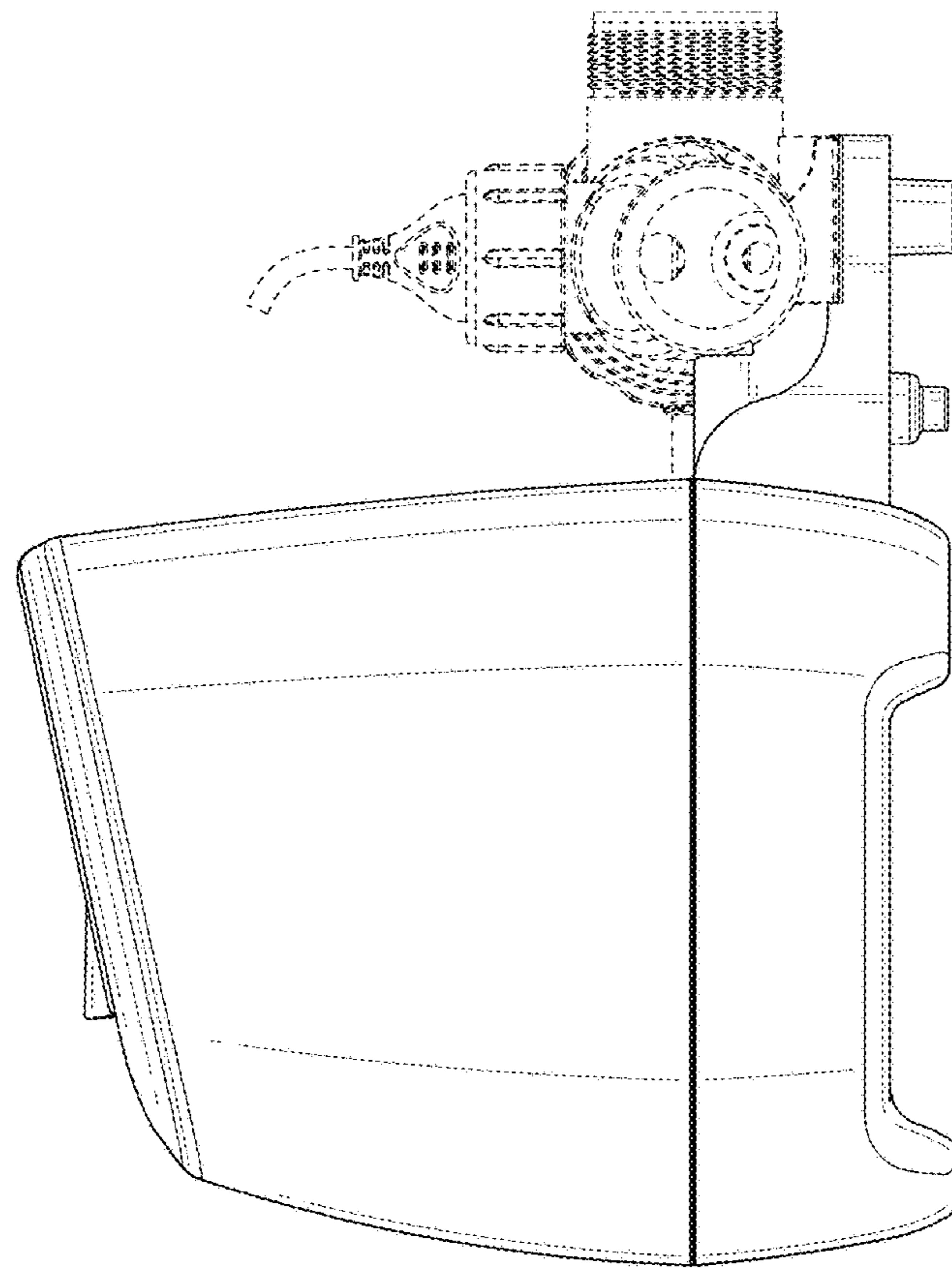


FIG. 6

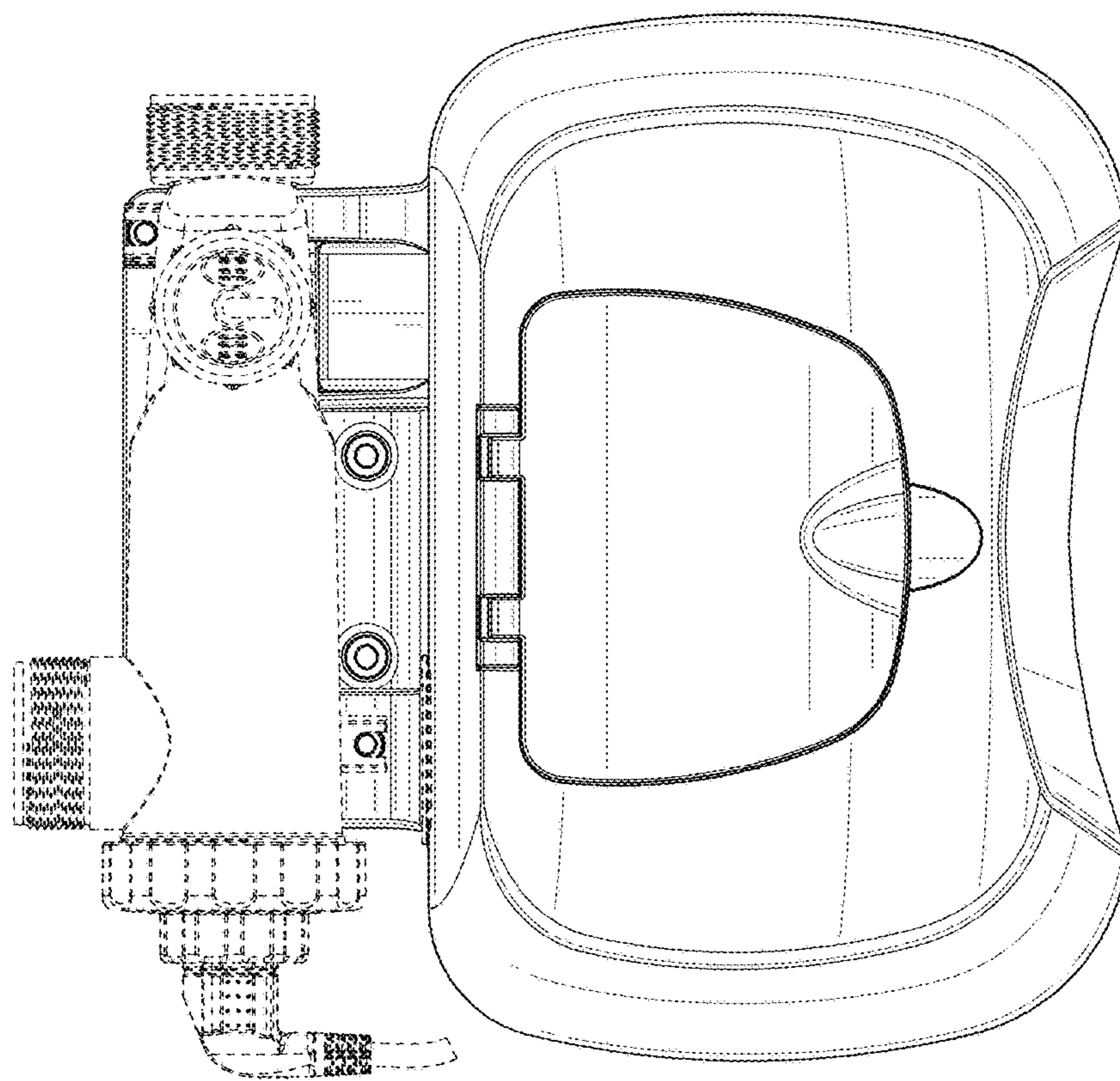


FIG. 7



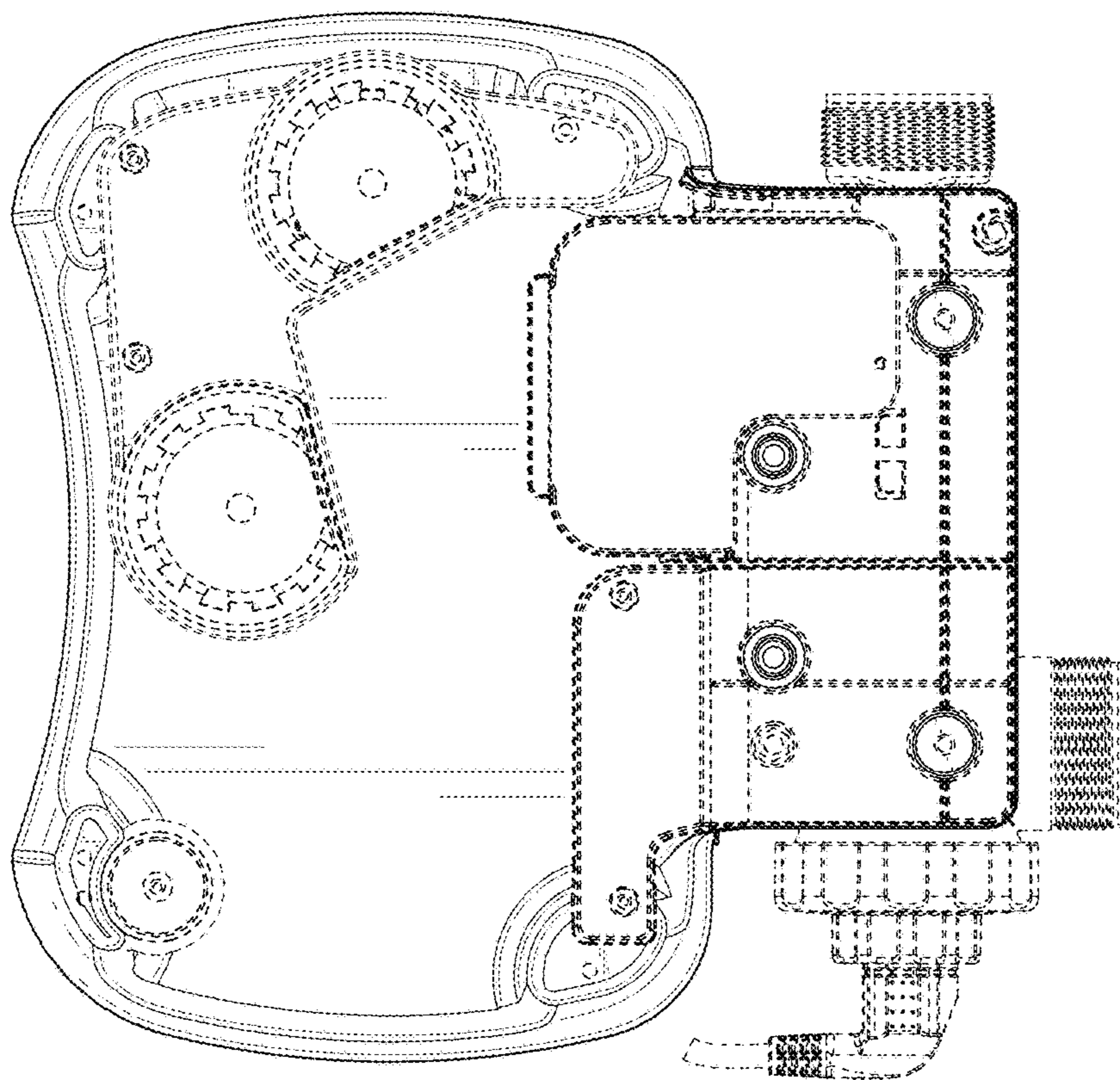


FIG. 8