



US00D843546S

(12) **United States Design Patent**  
**Fagin**

(10) **Patent No.:** **US D843,546 S**

(45) **Date of Patent:** **\*\* Mar. 19, 2019**

- (54) **ROD KEEPER**
- (71) Applicant: **Charles Fagin**, Clear Lake, MN (US)
- (72) Inventor: **Charles Fagin**, Clear Lake, MN (US)
- (\*\*) Term: **15 Years**
- (21) Appl. No.: **29/608,973**
- (22) Filed: **Jun. 27, 2017**
- (51) **LOC (11) Cl.** ..... **22-05**
- (52) **U.S. Cl.**  
USPC ..... **D22/147**
- (58) **Field of Classification Search**  
USPC ..... D6/552, 553, 567, 572; D8/380;  
D22/147, 148, 109; D25/68; 43/21,  
43/21.2; 211/13.1, 60.1, 64, 70.2, 70.6,  
211/70.8, 65, 68, 69, 69.8, 89, 94;  
248/512, 520, 538, 316.7  
CPC ..... A01K 97/10; A01K 97/12; A01K 97/125;  
A01K 99/00; A01K 97/08; A47F 7/0021;  
A47F 7/0035; A47B 81/005; Y10T  
70/5009; Y10S 224/922  
See application file for complete search history.

- 5,188,243 A \* 2/1993 Ruiz ..... A63B 55/00  
206/315.3
- 5,244,700 A \* 9/1993 Banschick ..... A01G 5/04  
211/13.1
- D341,276 S \* 11/1993 Jones ..... D6/552
- 5,335,798 A \* 8/1994 Bonwell ..... A47K 1/09  
211/65
- 5,350,065 A \* 9/1994 Darrey ..... B25H 3/00  
206/373
- 5,379,885 A \* 1/1995 Chen ..... B25H 3/04  
206/216
- 5,678,348 A \* 10/1997 Zielinski ..... A01K 97/08  
211/70.8
- 5,971,333 A \* 10/1999 Fiedor ..... B25H 3/06  
206/373
- 6,006,904 A \* 12/1999 Jacobsen ..... A63B 55/00  
206/315.6

(Continued)

*Primary Examiner* — David G Muller  
*Assistant Examiner* — Nathan M Johnston  
 (74) *Attorney, Agent, or Firm* — Patterson Thuent  
 Pedersen, P.A.

(57) **CLAIM**

I claim the ornamental design for rod keeper, as shown and described.

(56) **References Cited**

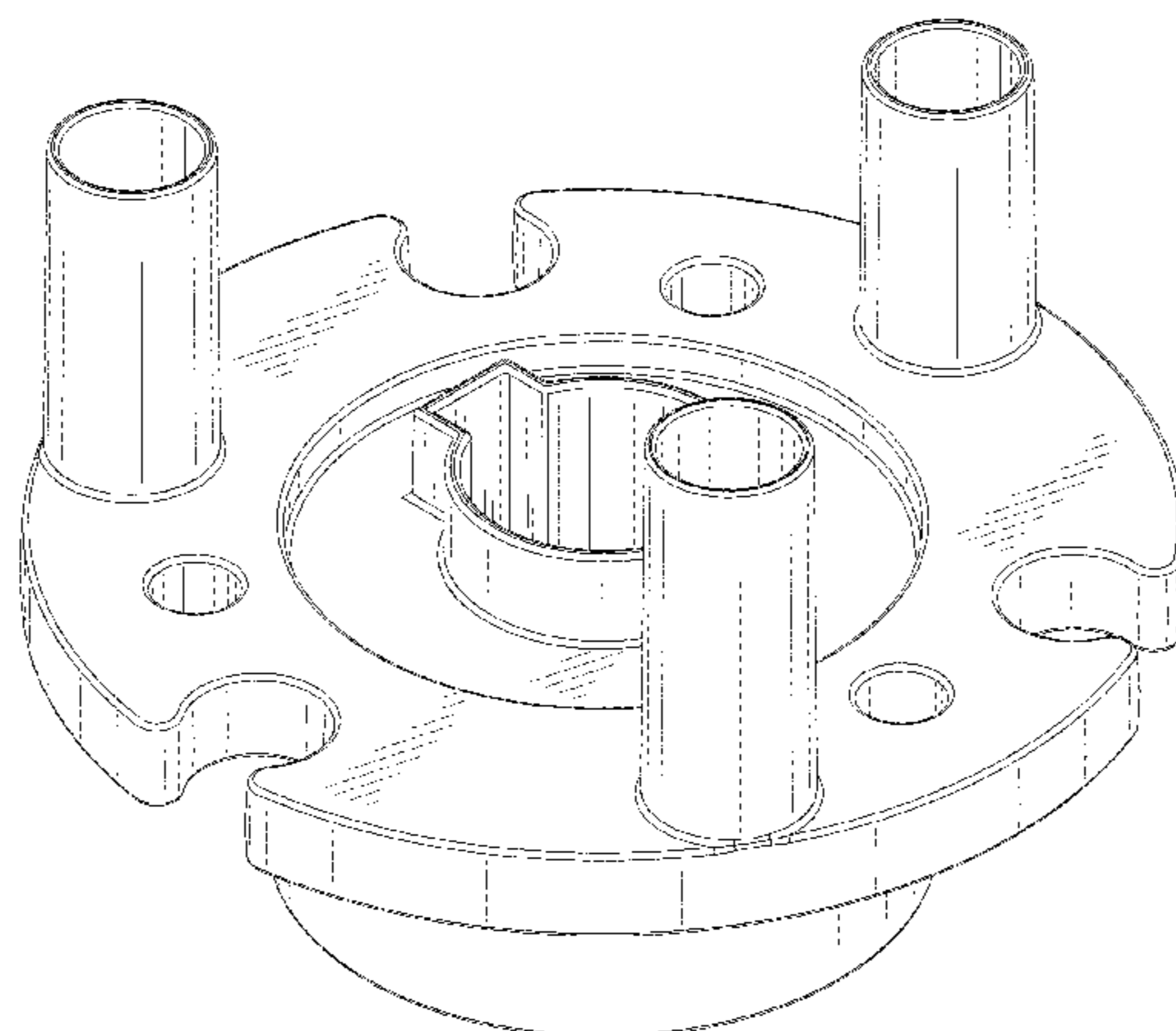
**U.S. PATENT DOCUMENTS**

- 3,547,569 A \* 12/1970 Fenton ..... F21V 35/00  
248/512
- 3,727,771 A \* 4/1973 Hoffman ..... B25H 3/003  
206/379
- D227,218 S \* 6/1973 Rastocny ..... D8/380
- D227,219 S \* 6/1973 Rastocny ..... D8/380
- 4,090,612 A \* 5/1978 Lostutter ..... B01F 15/00753  
211/13.1
- 5,035,861 A \* 7/1991 Grandone ..... B01L 3/5025  
211/64
- 5,092,463 A \* 3/1992 Dees ..... B25H 3/00  
206/373
- 5,137,319 A \* 8/1992 Sauder ..... A01K 97/10  
206/315.11

**DESCRIPTION**

FIG. 1 is a top perspective view of a rod keeper showing my new design.  
 FIG. 2 is a bottom perspective view thereof.  
 FIG. 3 is a left side elevation view thereof.  
 FIG. 4 is a right side elevation view thereof.  
 FIG. 5 is a front elevation view thereof.  
 FIG. 6 is a rear elevation view thereof.  
 FIG. 7 is a top plan view thereof; and,  
 FIG. 8 is a bottom plan view thereof.  
 Subject matter depicted in broken lines in the Figures forms no part of the claimed design.

**1 Claim, 8 Drawing Sheets**



(56)

References Cited

U.S. PATENT DOCUMENTS

6,053,312 A *	4/2000	Smith	.....	A63B 55/00	206/315.6	2004/0188367 A1 *	9/2004	Pleiman	.....	B25H 3/04
D426,282 S *	6/2000	Harmon	.....	D22/147		2005/0126064 A1 *	6/2005	Winkler	.....	A01K 97/06
6,381,998 B1 *	5/2002	Good	.....	A63B 55/00	70/58	2005/0145586 A1 *	7/2005	Lin	.....	A01B 1/00
D461,084 S *	8/2002	Chen	.....	D6/552		2005/0257417 A1 *	11/2005	Black	.....	A01K 97/08
D474,362 S *	5/2003	Callamari	.....	D6/552		2006/0277814 A1 *	12/2006	Lucky	.....	A01K 97/08
6,935,515 B1 *	8/2005	Sookoo	.....	A46B 15/0091	211/65	2007/0039231 A1 *	2/2007	Jenkins	.....	A01K 97/06
D550,492 S *	9/2007	Fagundes-Daher	.....	D6/552		2007/0039911 A1 *	2/2007	Sator	.....	A47B 81/005
9,155,292 B1 *	10/2015	Tweedie	.....	A01K 97/10		2011/0108501 A1 *	5/2011	Ambrosen	.....	B44D 3/125
D756,684 S	5/2016	Carr				2013/0048585 A1 *	2/2013	Coyne	.....	A63B 55/10
D764,210 S	8/2016	Peng				2015/0150420 A1 *	6/2015	Volk	.....	A47K 1/09
9,532,559 B1	1/2017	Hemmerlin et al.				2017/0064936 A1 *	3/2017	Zvezdonkin	.....	A01K 97/01
9,565,934 B2	2/2017	Hall, II				2017/0064937 A1 *	3/2017	Christianson	.....	A01K 97/12
D783,769 S	4/2017	Vela				2018/0020652 A1 *	1/2018	Morehead	.....	A01K 97/10
9,629,351 B2	4/2017	Boots								
D787,176 S	5/2017	Wilson								
9,661,836 B2	5/2017	Ohata et al.								
9,675,057 B2	6/2017	Vannieuwenhoven								
2004/0035808 A1 *	2/2004	Berry	.....	B25H 3/04	211/70.6					

\* cited by examiner

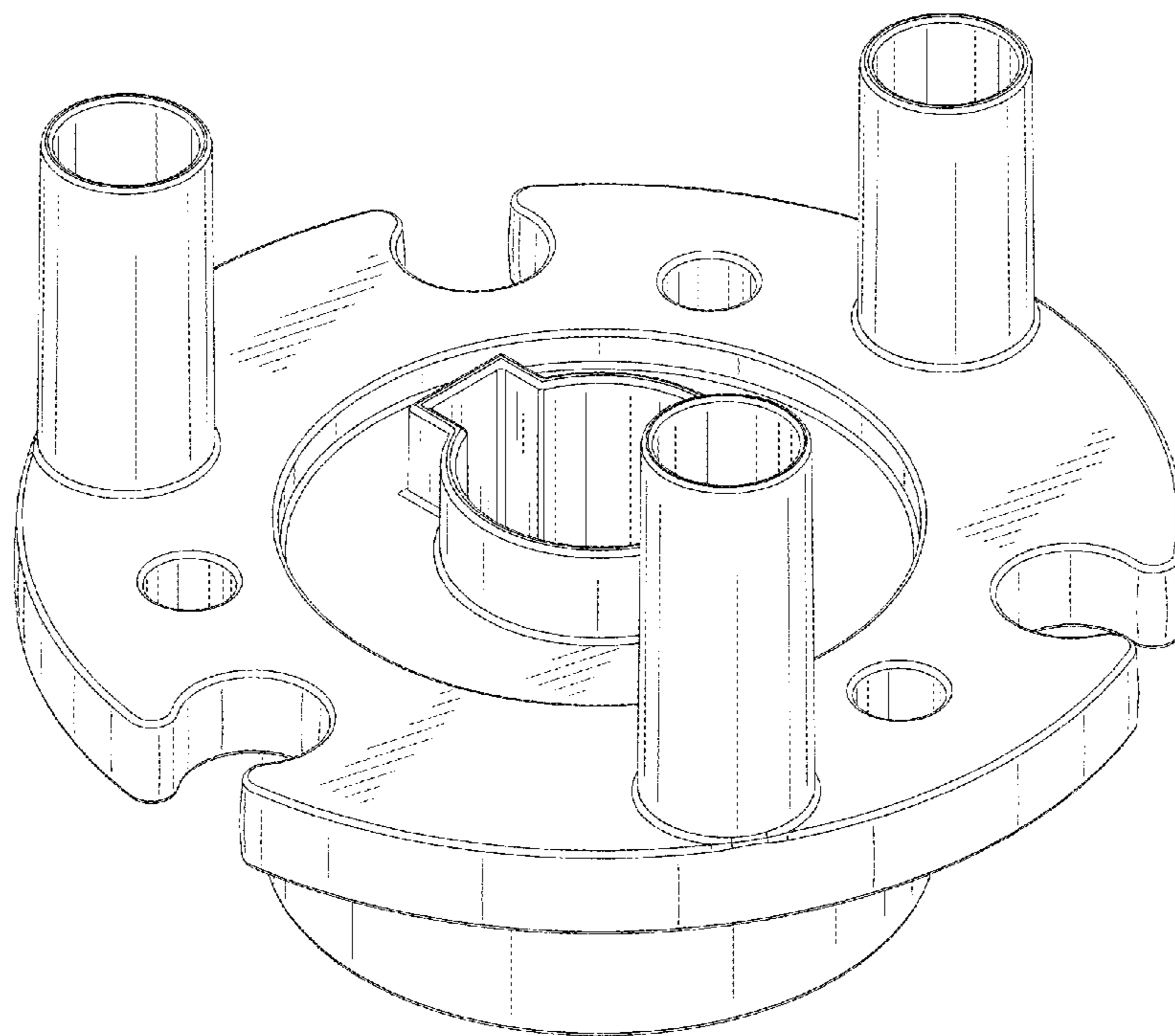


FIG. 1

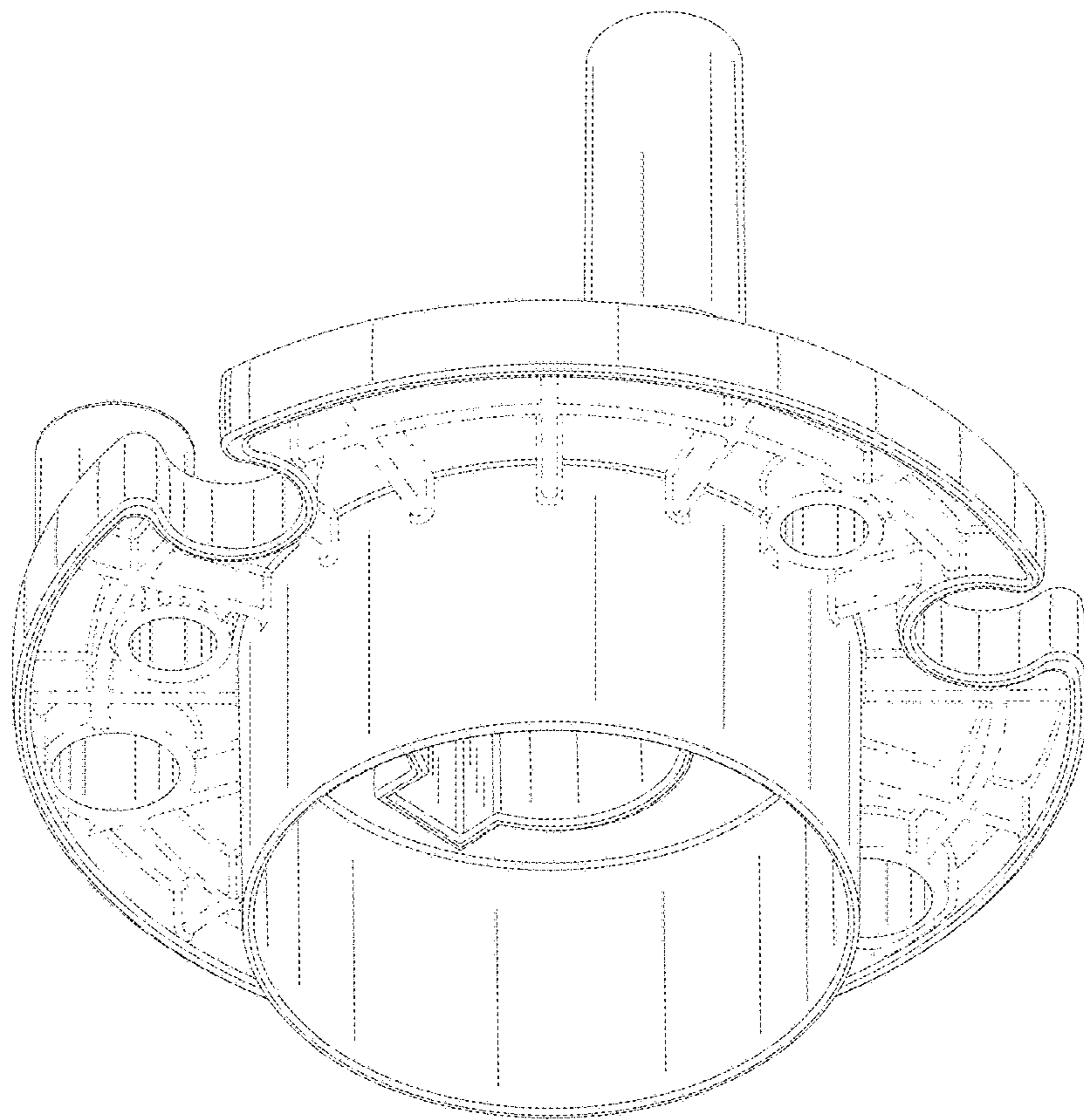
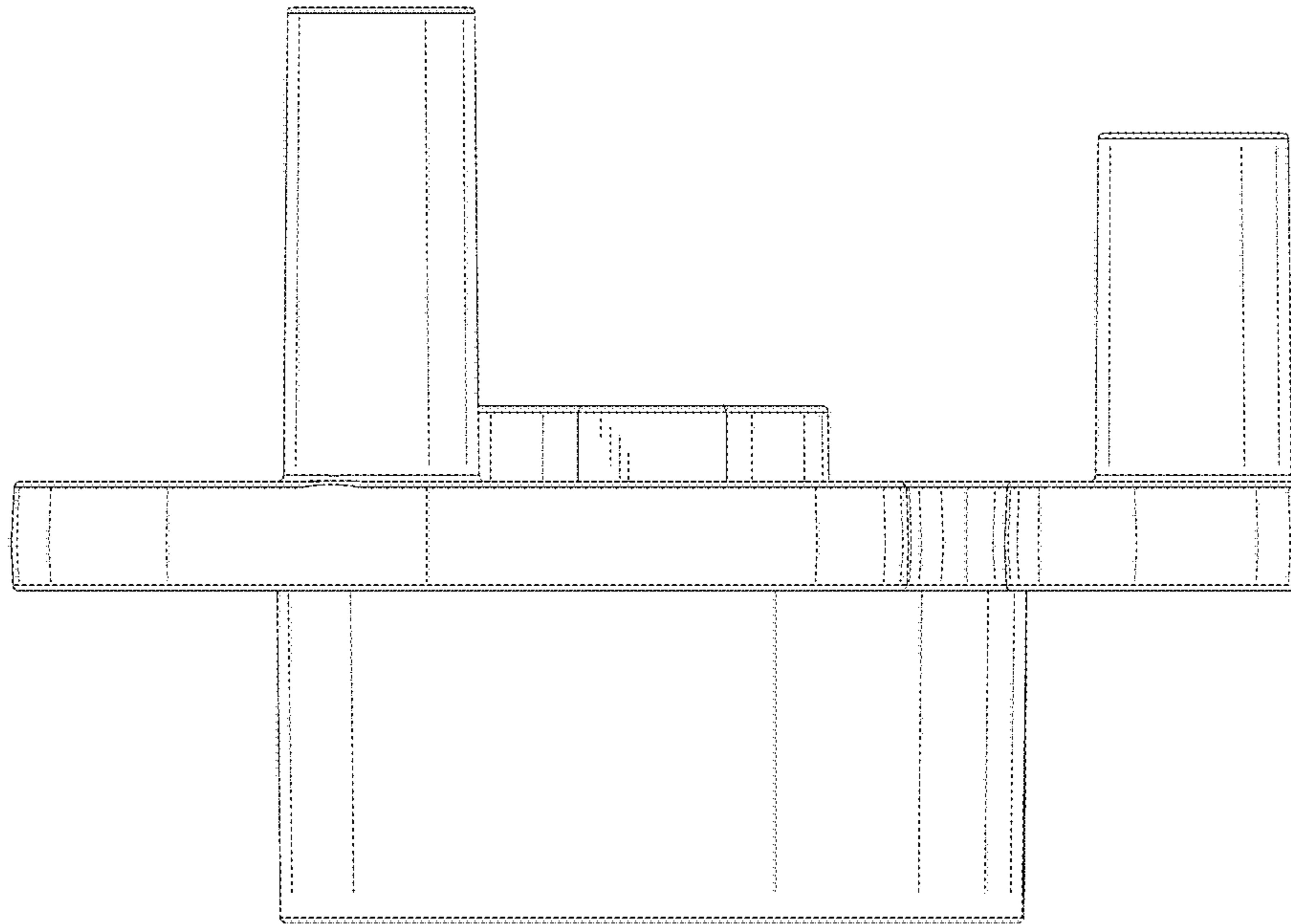


FIG. 2



**FIG. 3**

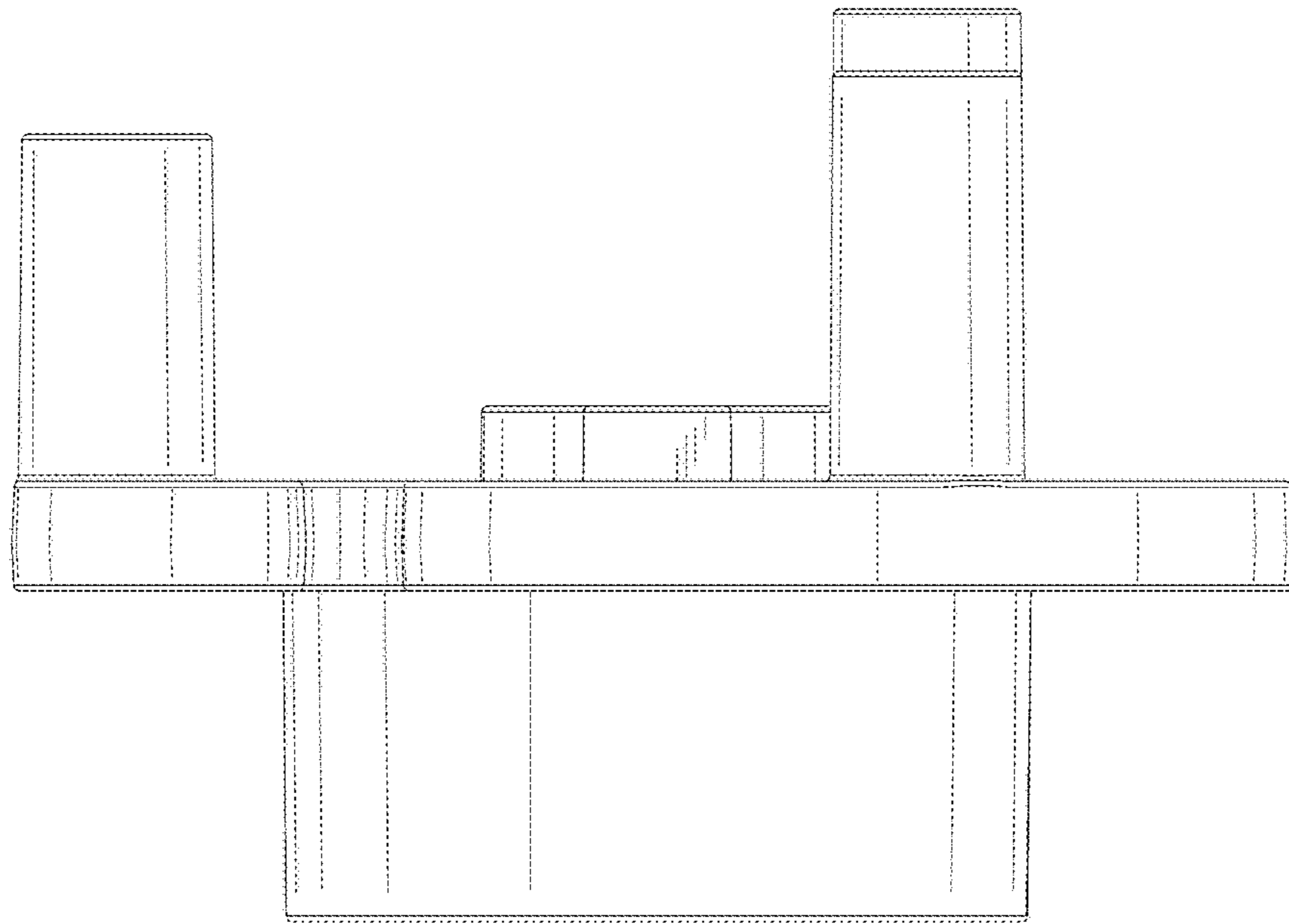


FIG. 4

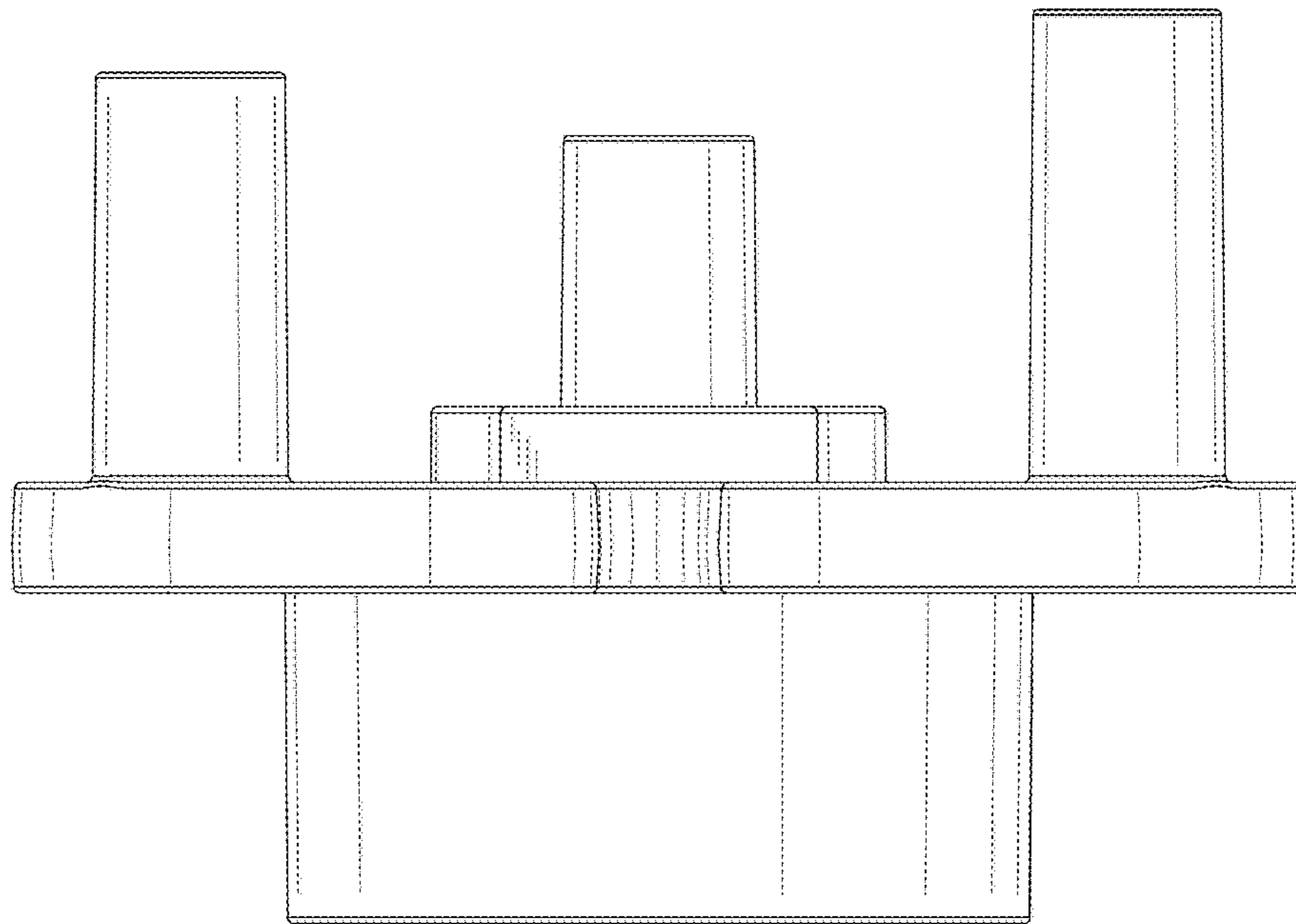


FIG. 5

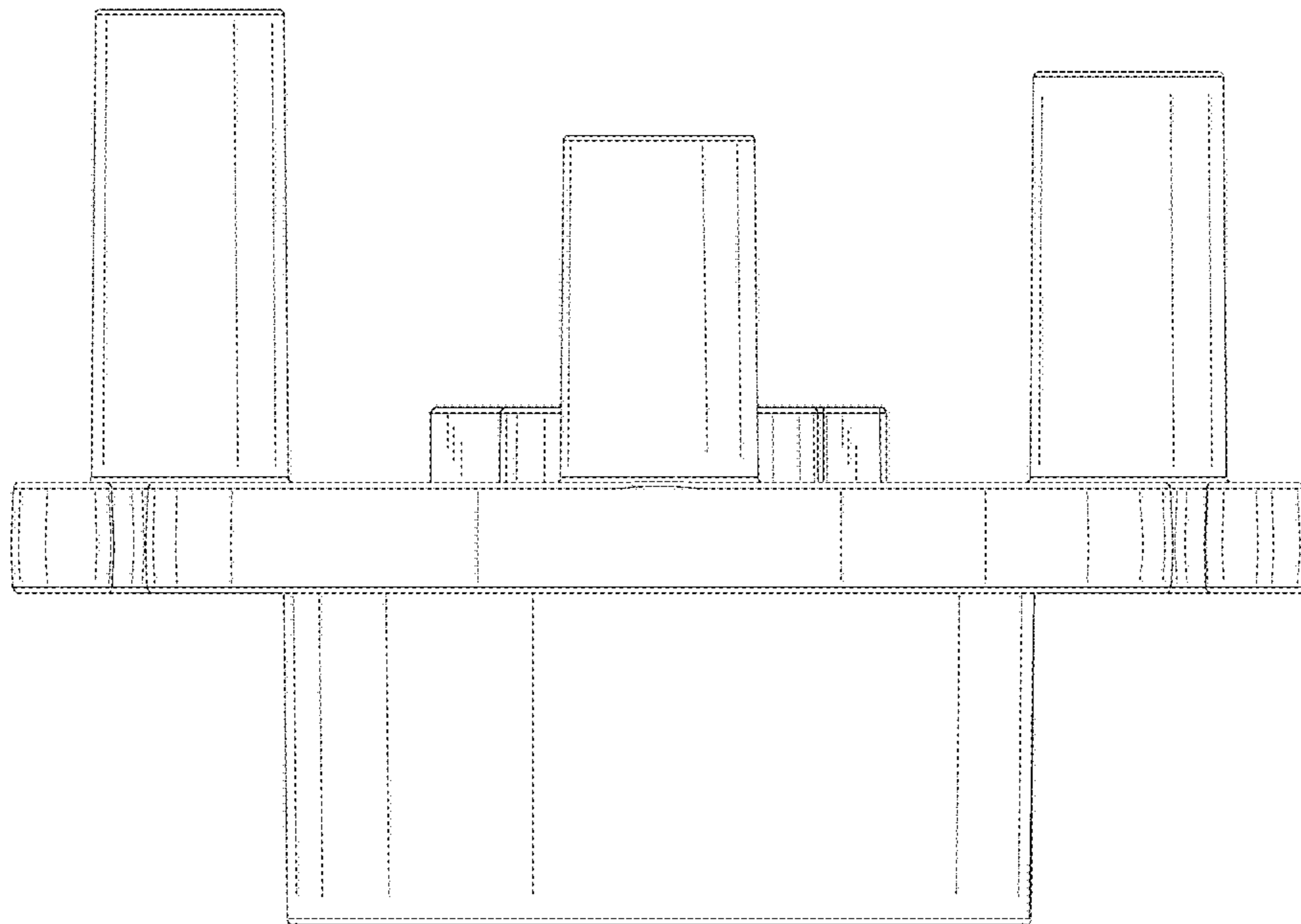


FIG. 6



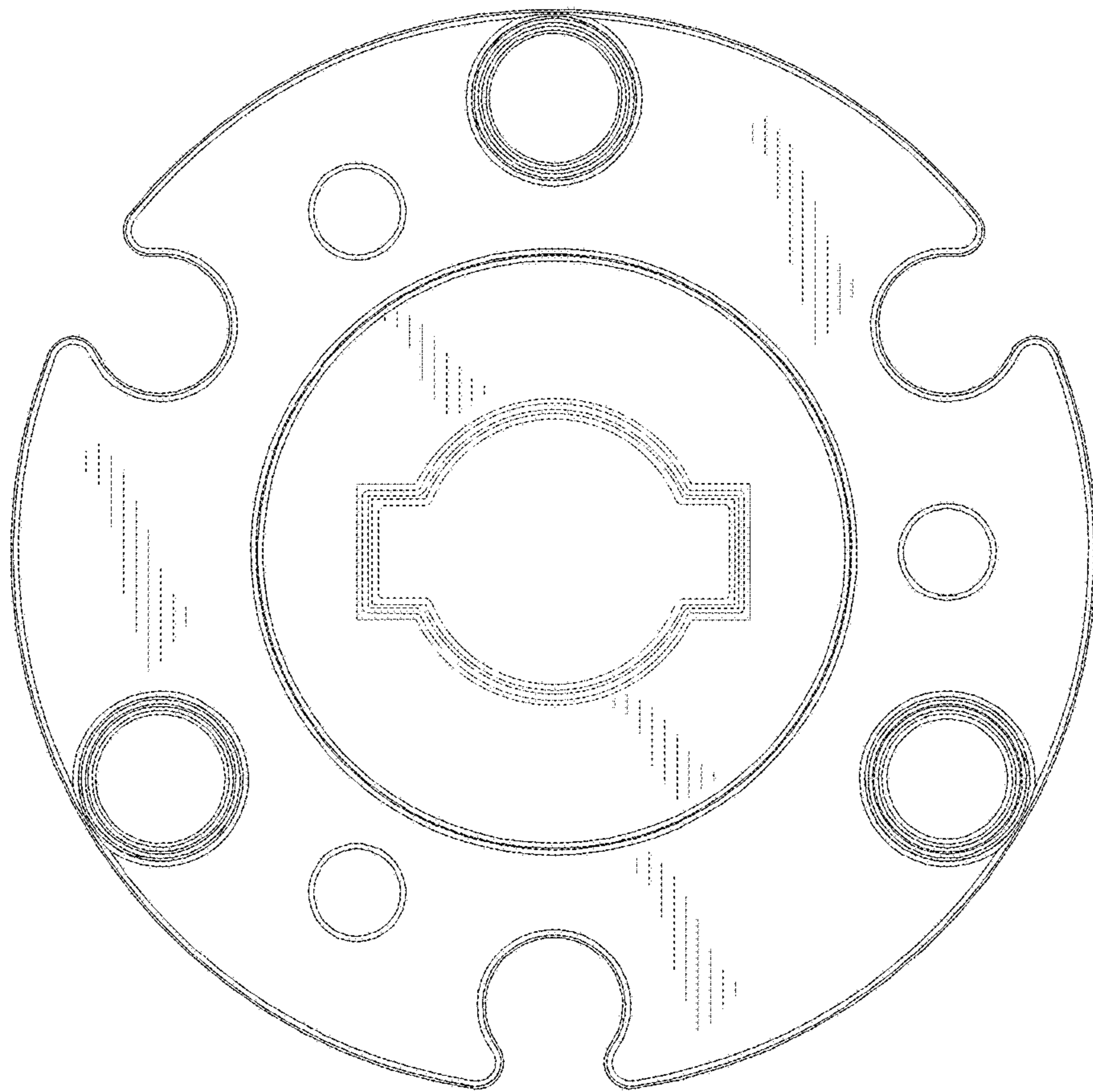


FIG. 7

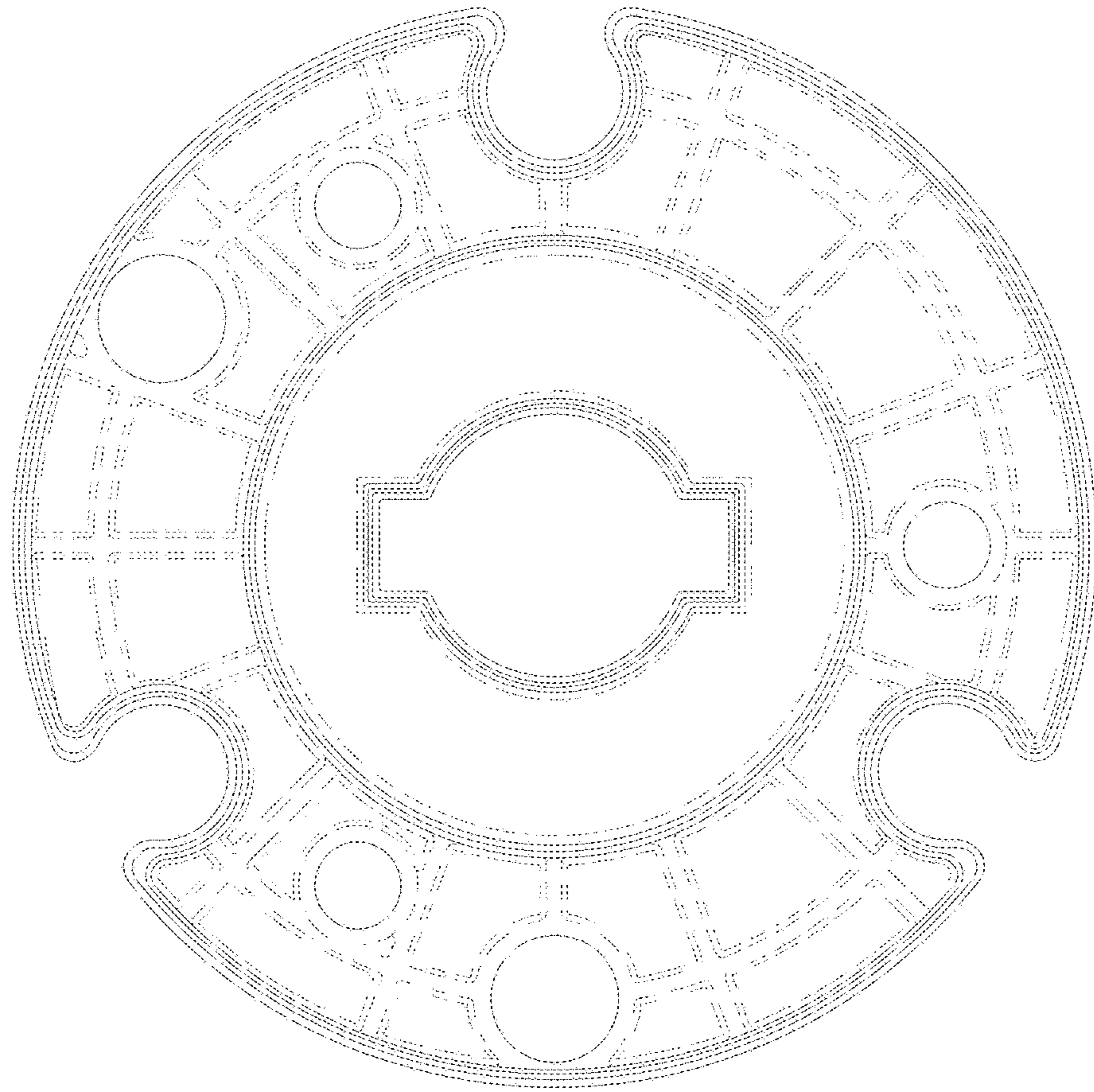


FIG. 8