



US00D843539S

(12) **United States Design Patent**
McCallum et al.

(10) **Patent No.:** **US D843,539 S**
(45) **Date of Patent:** **** Mar. 19, 2019**

(54) **RIFLE UPPER**
(71) Applicant: **Palmetto State Armory, LLC**,
Columbia, SC (US)
(72) Inventors: **Jamin McCallum**, Lexington, SC (US);
Paul Wolfe, Lexington, SC (US)
(73) Assignee: **Palmetto State Armory, LLC**,
Columbia, SC (US)

D713,483 S * 9/2014 Firpo, I D22/108
8,850,832 B2 * 10/2014 Lingrey F24F 1/20
62/262
D727,456 S * 4/2015 Schefter D22/108
9,133,606 B2 * 9/2015 Ericksen F16K 27/12
D760,860 S * 7/2016 Vincent D22/108
D787,005 S * 5/2017 Capps D22/108
D795,983 S * 8/2017 Cross D22/108
9,766,038 B2 * 9/2017 Toole F41G 1/35

* cited by examiner

(**) Term: **15 Years**

Primary Examiner — Michael A. Pratt

(21) Appl. No.: **29/569,730**

(74) *Attorney, Agent, or Firm* — Burr & Forman, LLP;
Douglas L. Lineberry

(22) Filed: **Jun. 30, 2016**

(51) **LOC (11) Cl.** **22-01**

(57) **CLAIM**

(52) **U.S. Cl.**
USPC **D22/108**

The ornamental design for a rifle upper, as shown and described.

(58) **Field of Classification Search**
USPC D22/103, 108; D21/572–575
CPC F41C 23/10; F41C 23/14; F41C 23/16;
F41C 23/18; F41C 23/00; F41C 27/00;
F41C 27/06; F41A 5/18; F41A 5/24;
F41A 21/28
See application file for complete search history.

DESCRIPTION

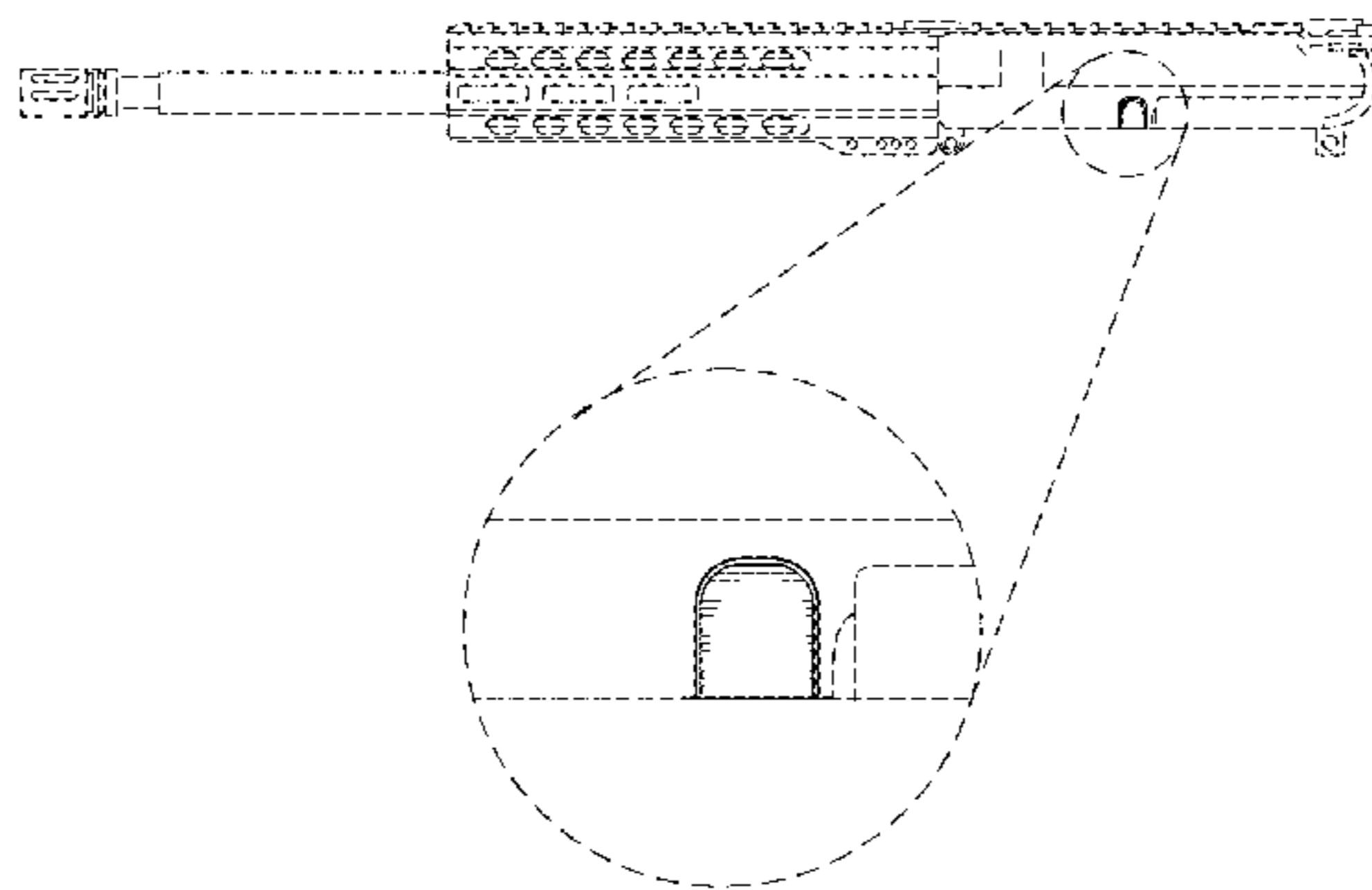
FIG. 1 is a side view of a rifle upper;
FIG. 2 is an enlarged view of the side view of the rifle upper;
and,
FIG. 3 is a perspective side view of the enlarged view of the rifle upper.
Any broken line disclosures shown in the Figures of the rifle upper are for illustrative purposes only and form no part of the claimed design.

(56) **References Cited**

U.S. PATENT DOCUMENTS

D631,933 S * 2/2011 Thompson D22/108
8,016,037 B2 * 9/2011 Bloom E21B 15/00
166/255.1

1 Claim, 2 Drawing Sheets



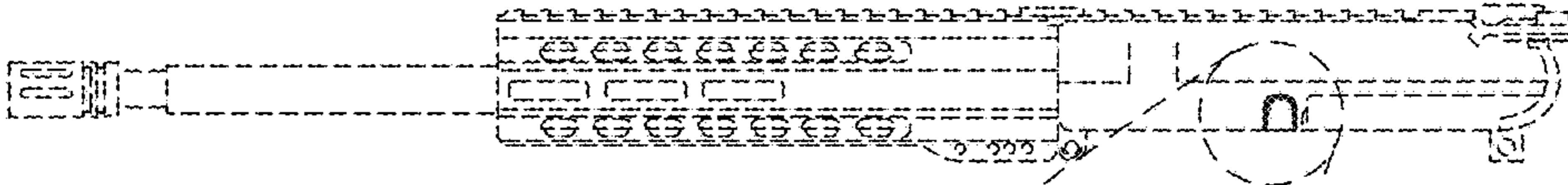


Fig. 1

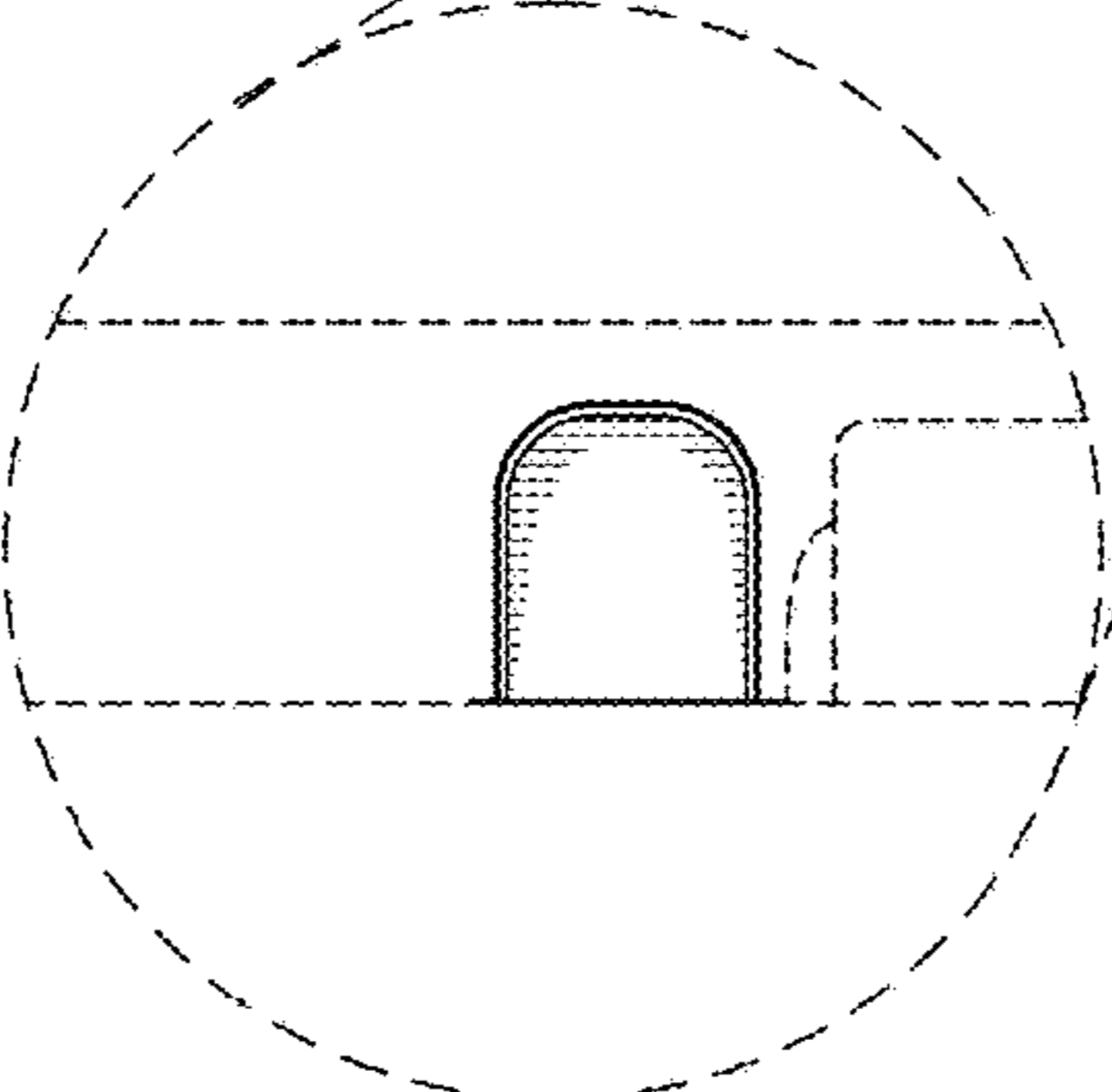


Fig. 2

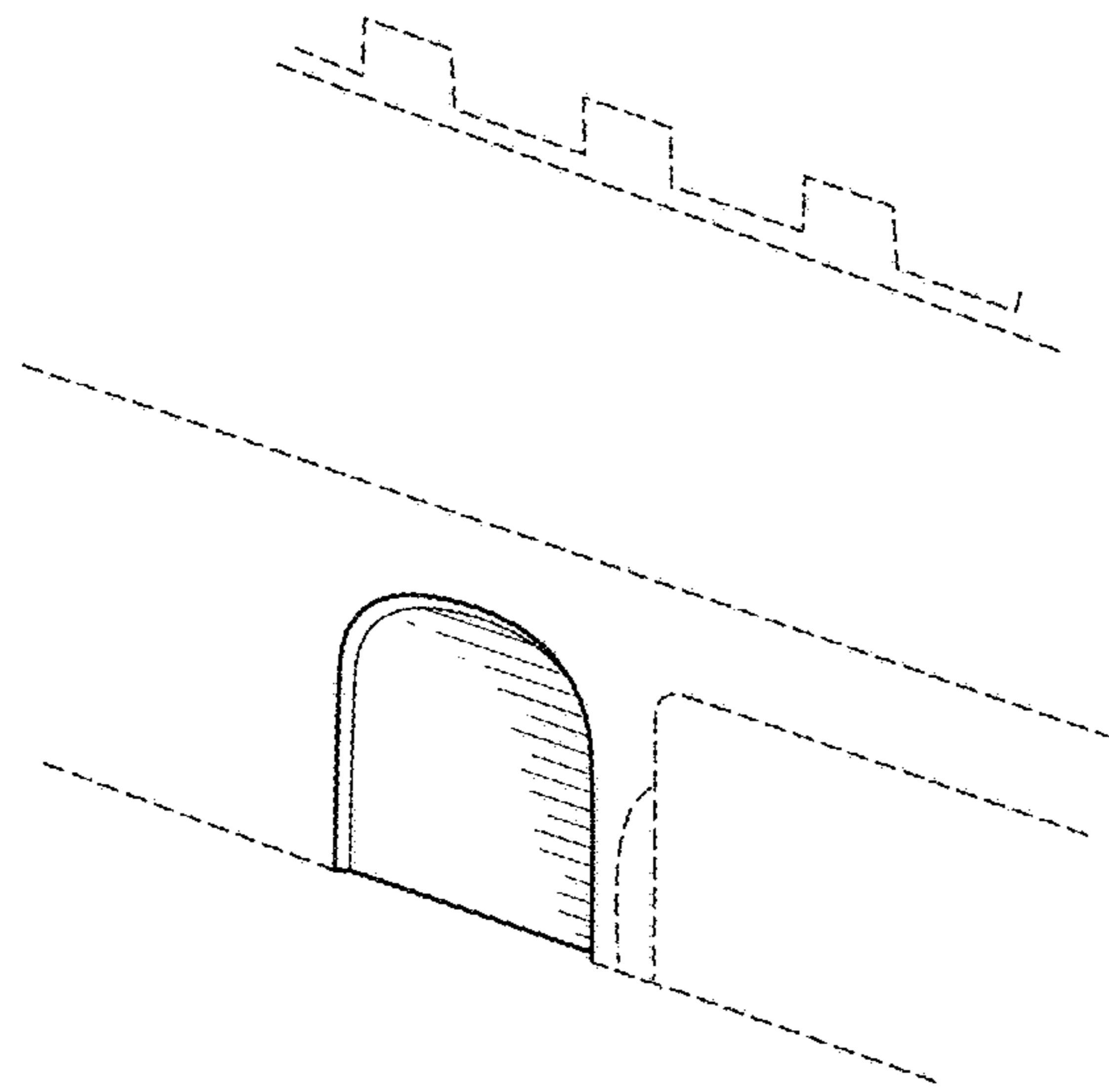


Fig. 3