



US00D843538S

(12) **United States Design Patent**  
**Lee**

(10) **Patent No.:** **US D843,538 S**  
(45) **Date of Patent:** **\*\* Mar. 19, 2019**

(54) **SET OF POWER TRAINING PALM PADDLES**

*Primary Examiner — Zenia I Bennett*

(71) Applicant: **Gavin Lee**, El Cerrito, CA (US)

(57) **CLAIM**

(72) Inventor: **Gavin Lee**, El Cerrito, CA (US)

The ornamental design for a set of power training palm paddles, as shown and described.

(\*\*) Term: **15 Years**

**DESCRIPTION**

(21) Appl. No.: **29/556,782**

(22) Filed: **Mar. 3, 2016**

(51) **LOC (11) Cl.** ..... **21-06**

(52) **U.S. Cl.**  
USPC ..... **D21/807**

(58) **Field of Classification Search**  
USPC ..... D21/769–770, 801, 803, 809; D12/5, 6,  
D12/316; D6/392, 595, 596, 601, 604,  
D6/605; D29/124  
CPC ..... B63C 9/115  
See application file for complete search history.

FIG. 1 is a top elevation view of a single paddle shown separately for convenience of illustration;  
FIG. 2 is a top perspective view of FIG. 1;  
FIG. 3 is a top perspective view showing the surgical tubing;  
FIG. 4 is a bottom perspective view showing the surgical tubing;  
FIG. 5 is a top elevation view of power training palm paddles of FIG. 1, with hand mounted to training paddle;  
FIG. 6 is a bottom elevation view of power training palm paddles of FIG. 1, with a view of the palm of the hand shown through the centrally located hole;  
FIG. 7 is a top elevation view of a set of power training palm paddles showing the right paddle as a mirror image of the left paddle;  
FIG. 8 is a front elevation view;  
FIG. 9 is a rear elevation view;  
FIG. 10 is a left side elevation view; and,  
FIG. 11 is a right side elevation view.

(56) **References Cited**

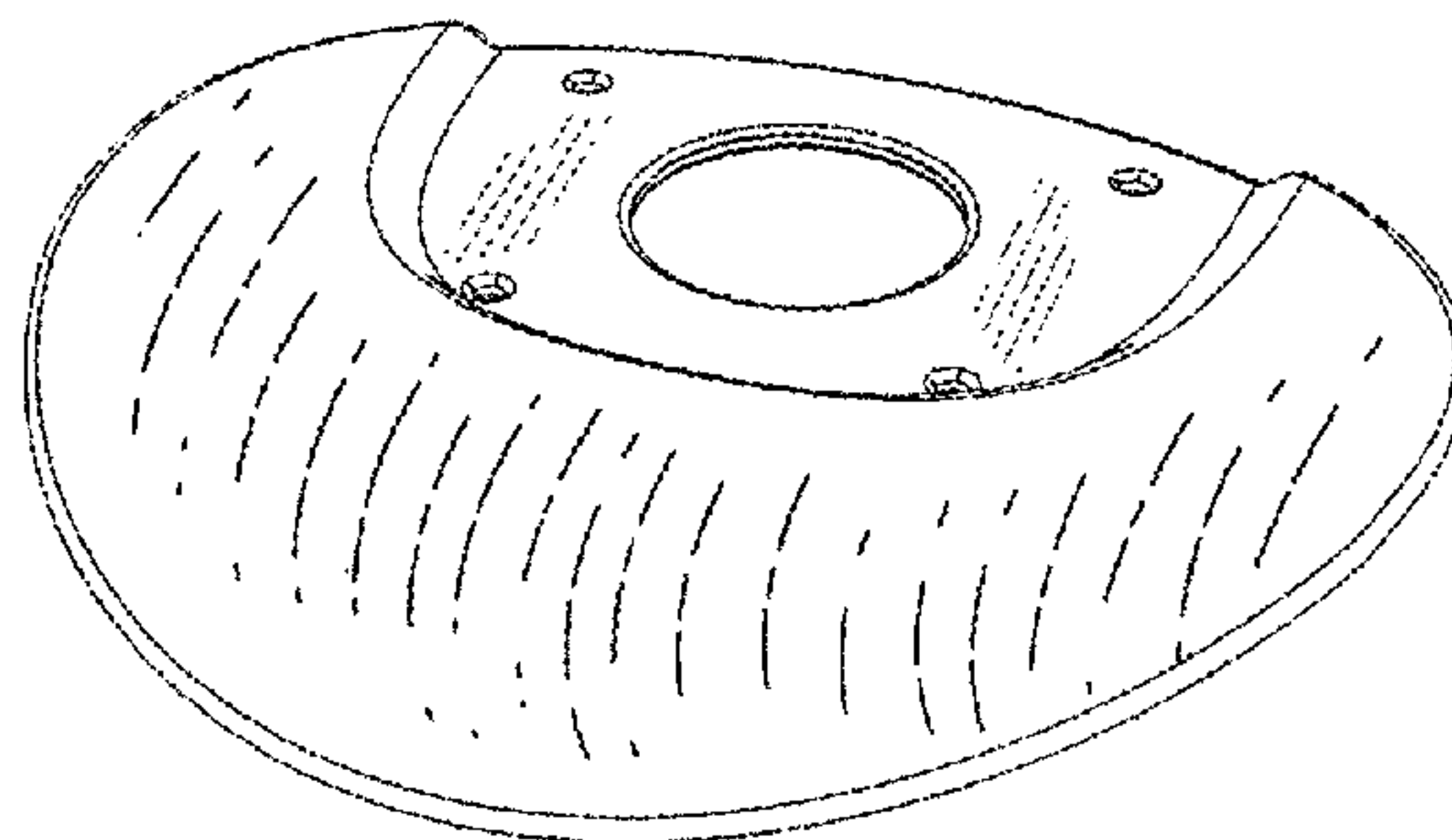
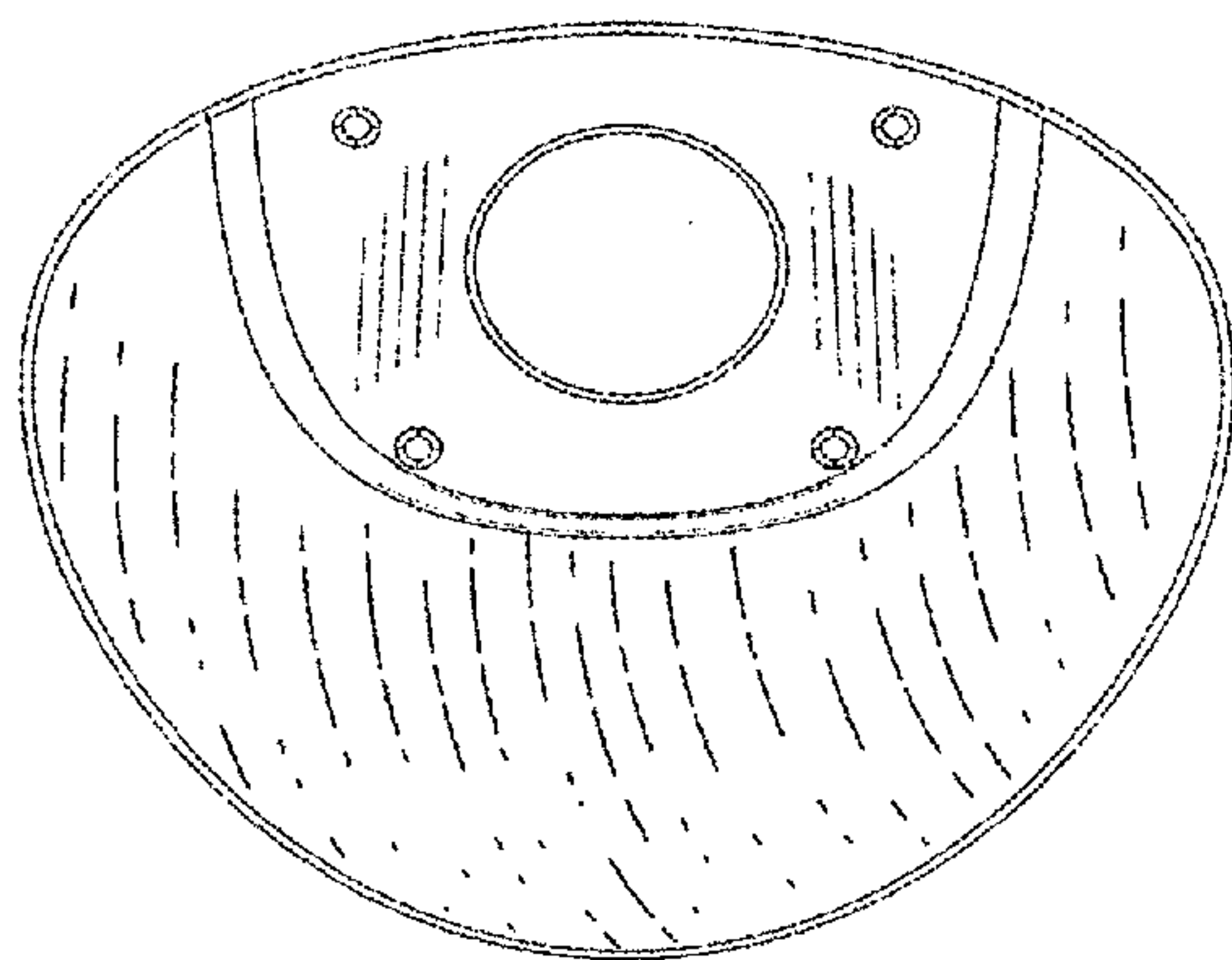
**U.S. PATENT DOCUMENTS**

D412,352 S *	7/1999	Falconer	.....	D21/806
D412,353 S *	7/1999	Falconer	.....	D21/806
D585,104 S *	1/2009	McCarthy	.....	D21/807
D707,321 S *	6/2014	Lee	.....	A63B 31/10 D21/807
D737,918 S *	9/2015	Lee	.....	D21/807
D764,003 S *	8/2016	Chadwick	.....	D21/807
D789,475 S *	6/2017	Abruzzini	.....	D21/807

The broken lines in the Figures show portions of the power training palm paddles that form no part of the claimed design.  
The shade lines in the Figures show contours and not surface ornamentation.

\* cited by examiner

**1 Claim, 4 Drawing Sheets**



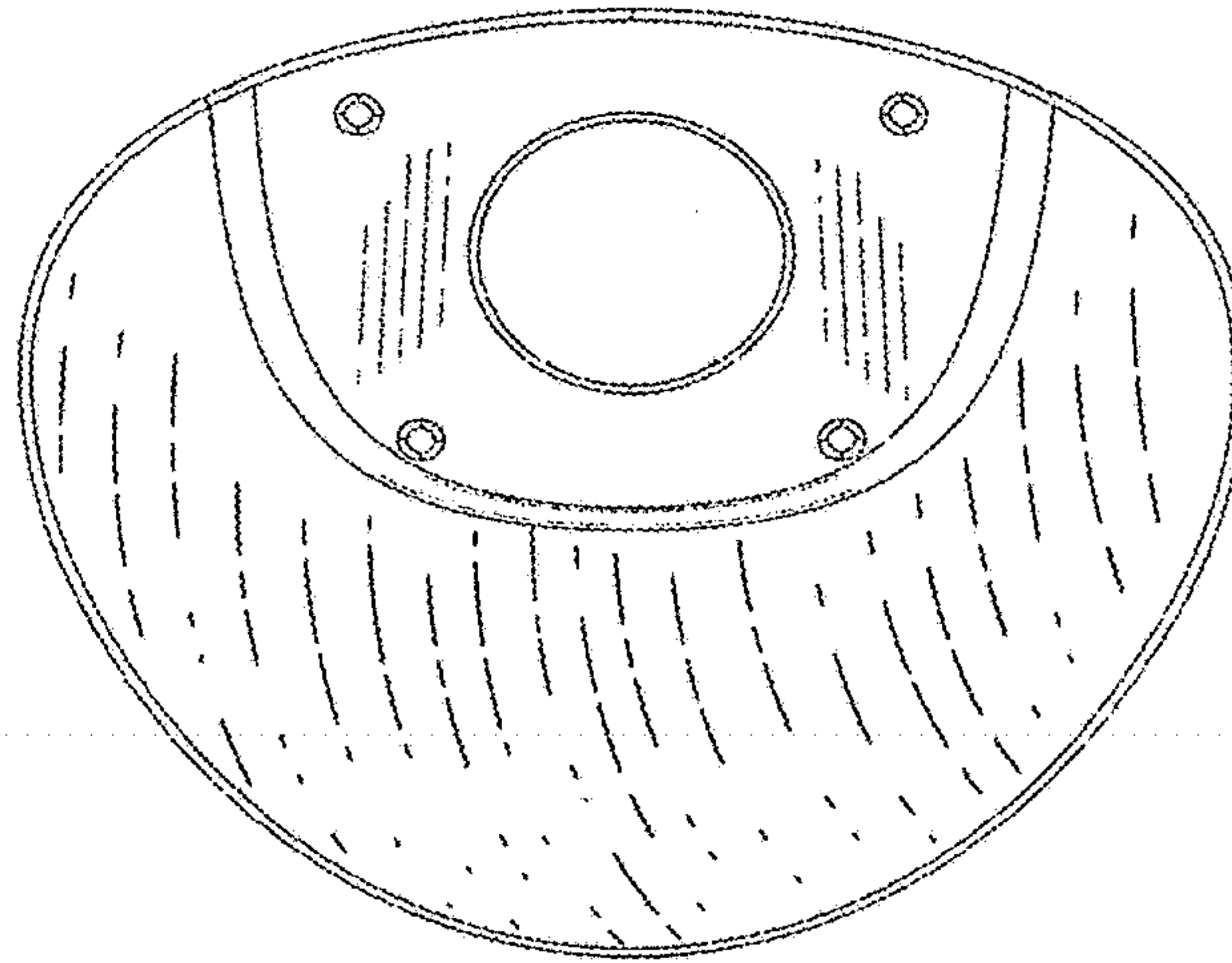


FIG.\_1

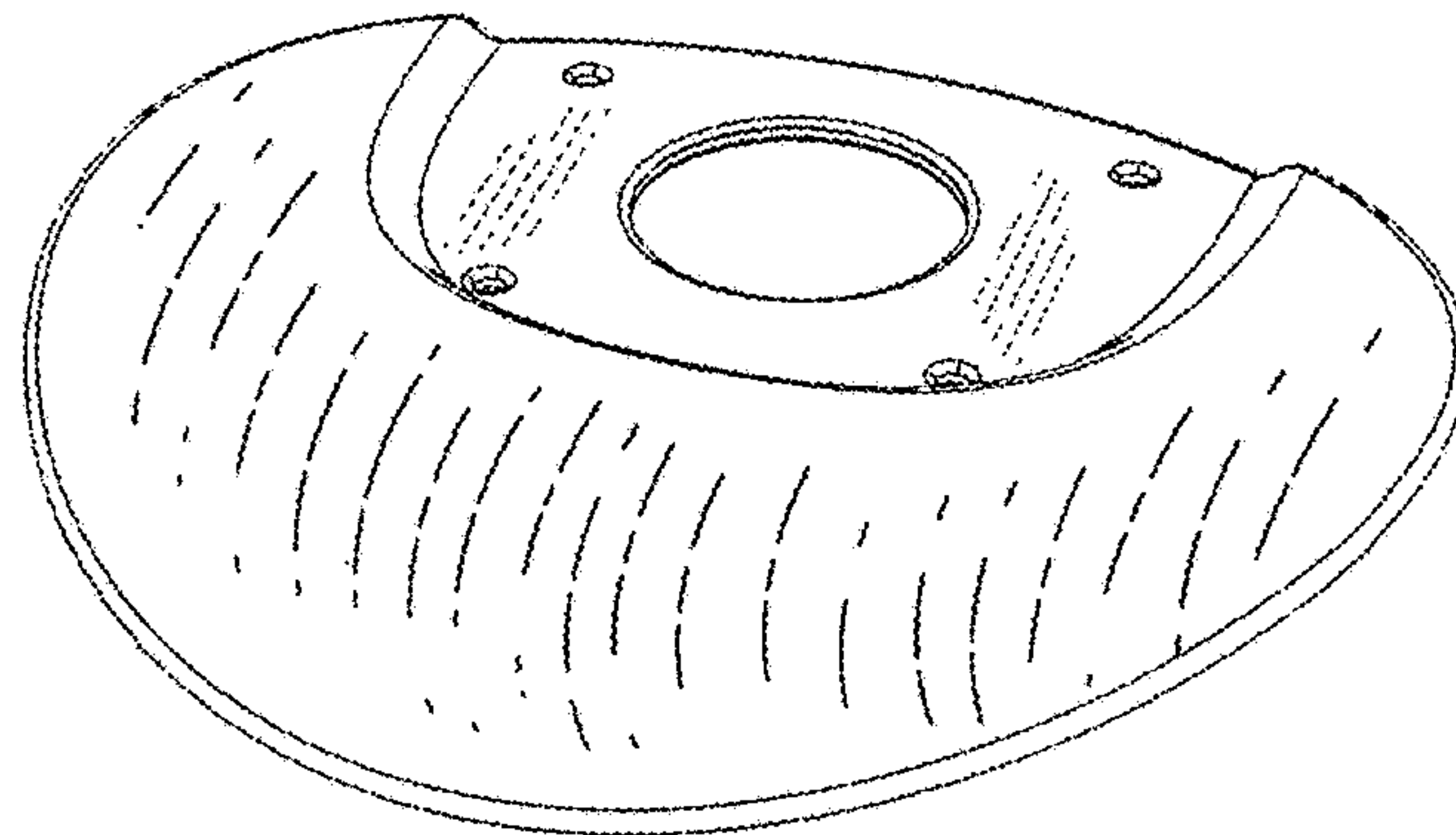


FIG.\_2

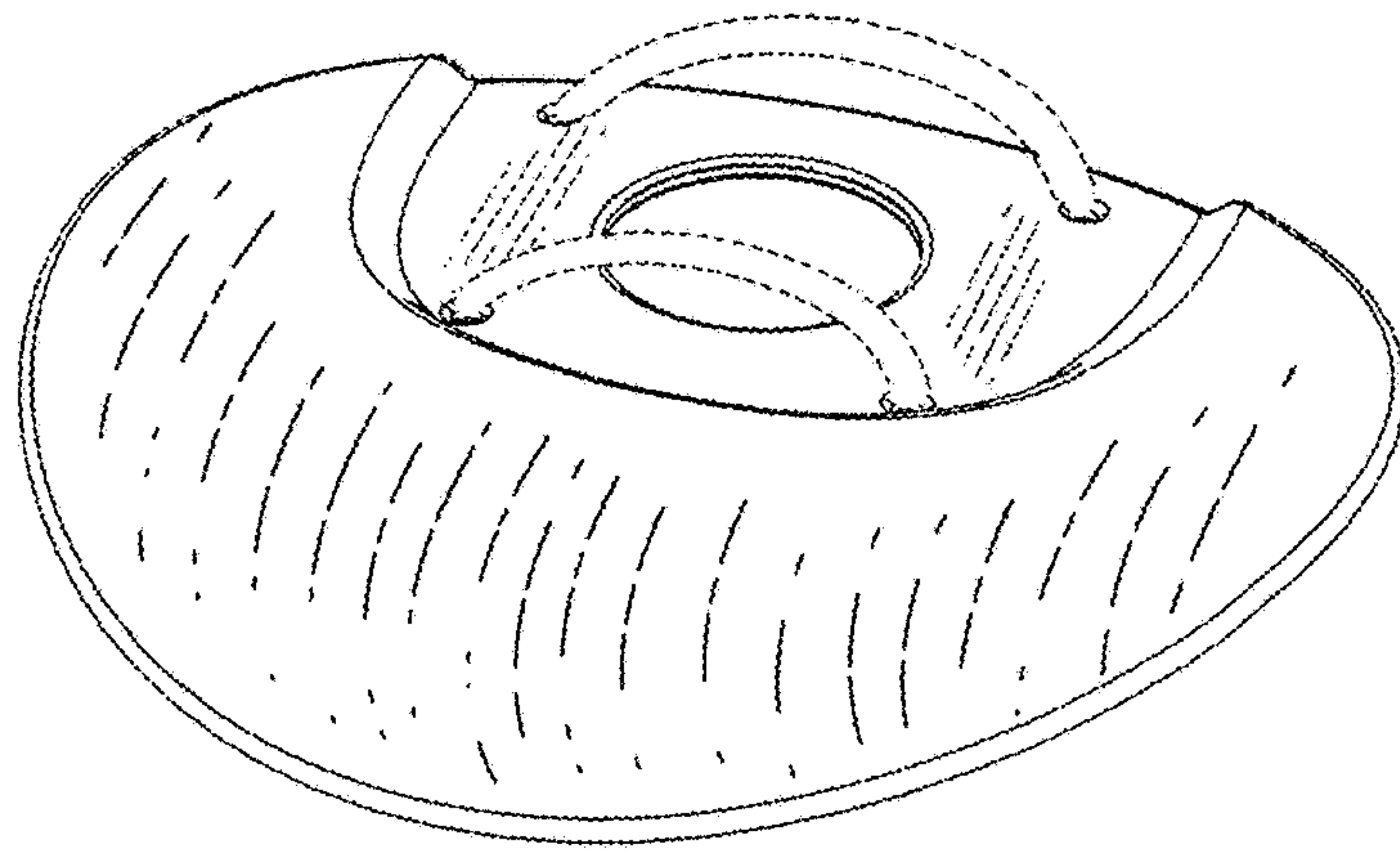


FIG.\_3

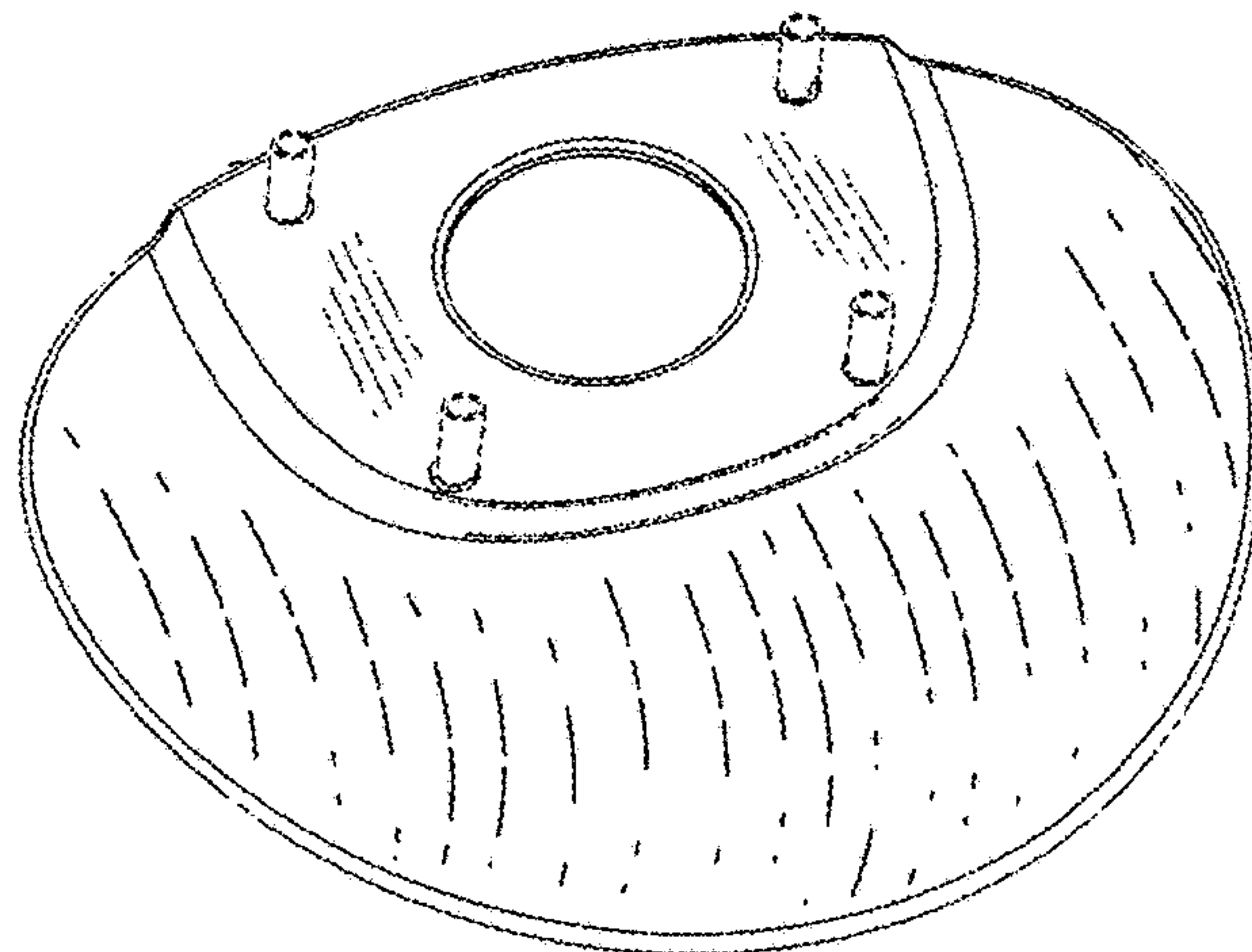


FIG.\_4

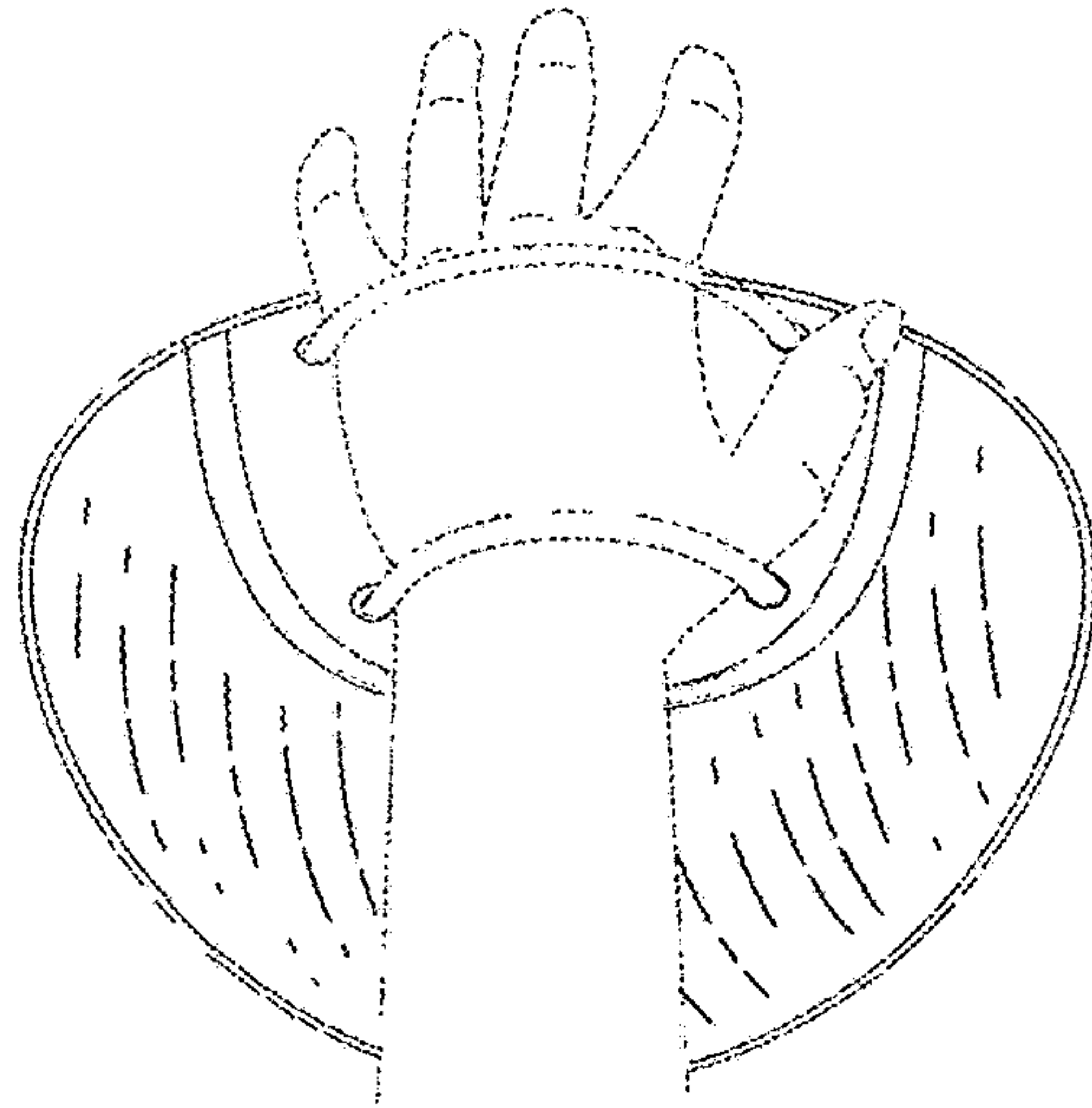


FIG. 5

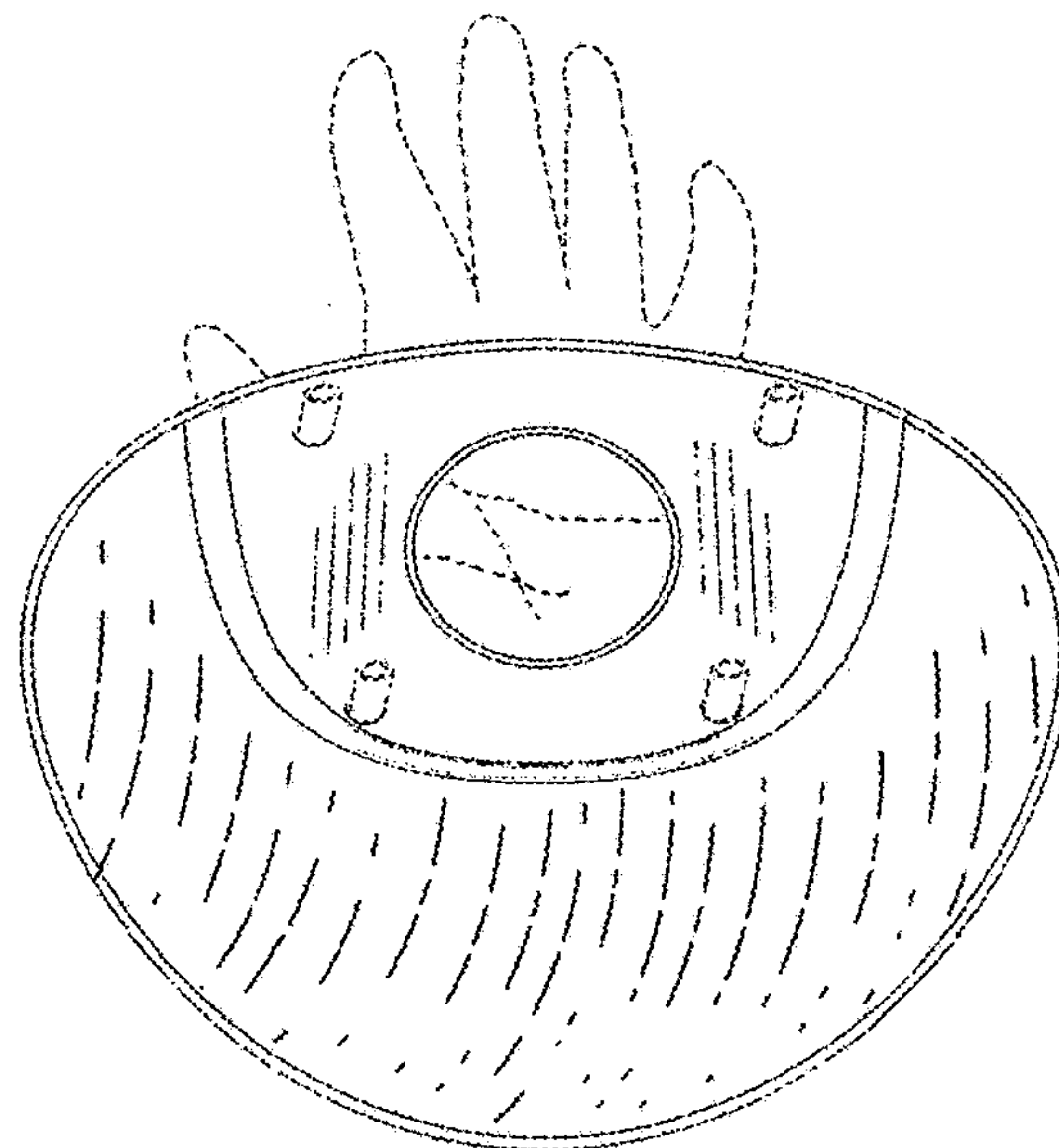


FIG. 6



