



US00D843533S

(12) **United States Design Patent**  
**Hopkins et al.**

(10) **Patent No.:** **US D843,533 S**  
(45) **Date of Patent:** **\*\* Mar. 19, 2019**

(54) **STAND UP PADDLE BOARD HANDLE**

(71) Applicant: **S9, LLC**, Fort Myers, FL (US)

(72) Inventors: **William Lucas Hopkins**, Blacksburg, VA (US); **John M. Chenciner**, Sanibel, FL (US)

(73) Assignee: **S9, LLC**, Bonita Springs, FL (US)

(\*\*) Term: **15 Years**

(21) Appl. No.: **29/561,091**

(22) Filed: **Apr. 13, 2016**

(51) **LOC (11) Cl.** ..... **21-02**

(52) **U.S. Cl.**  
USPC ..... **D21/771**

(58) **Field of Classification Search**  
USPC ..... D21/421, 542, 675, 698, 703, 753, 754,  
D21/756, 758, 760, 766, 769, 770, 771,  
D21/772, 773, 774, 775, 801, 802, 803,  
D21/804, 805, 806, 807, 808, 809, 815;  
(Continued)

(56) **References Cited**

**U.S. PATENT DOCUMENTS**

3,074,761 A \* 1/1963 Ryan ..... B60R 22/38  
242/382.6  
D338,552 S \* 8/1993 Carrico ..... D2/639  
(Continued)

**OTHER PUBLICATIONS**

(Via YouTube), available Sep. 19, 2018, [online], [site visited Jun. 17, 2018]. Video available from internet, <URL:https://www.youtube.com/watch?time\_continue=27&v=a4qEMa7VP3U> (Year: 2018).\*  
(Continued)

*Primary Examiner* — Cathron C Brooks  
*Assistant Examiner* — Katrina N Gonzalez  
(74) *Attorney, Agent, or Firm* — Craig R. Miles; CR Miles P.C.

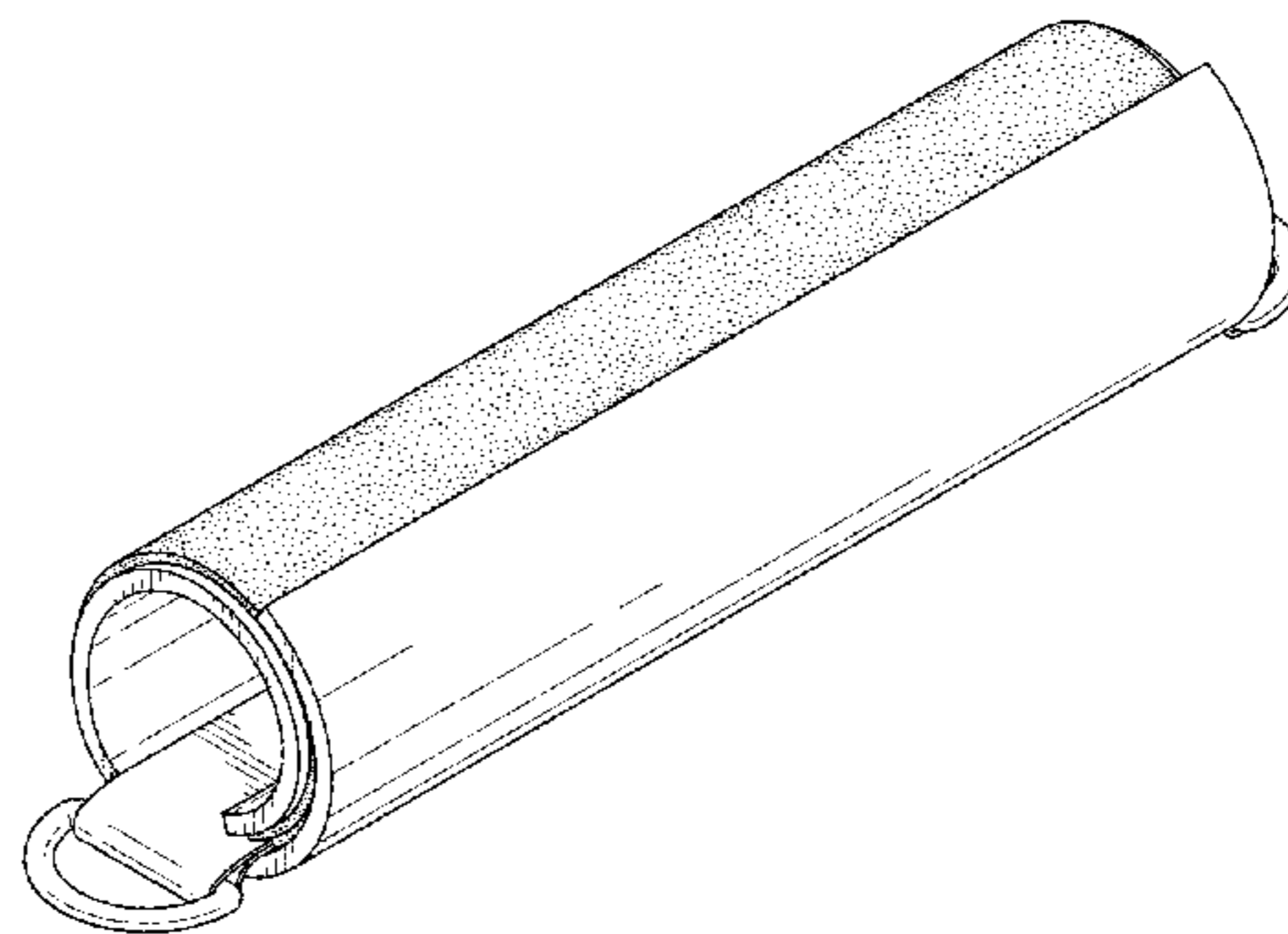
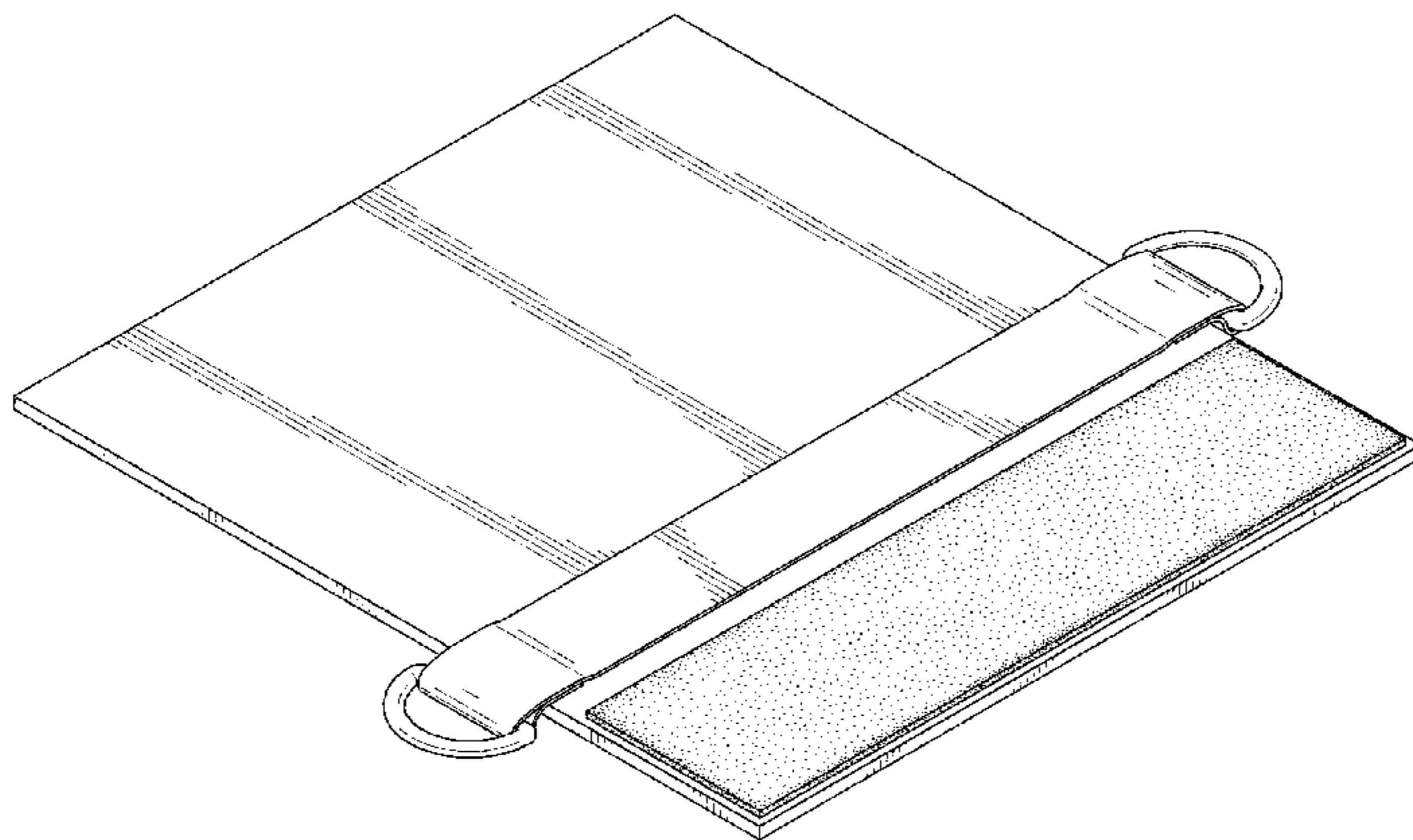
(57) **CLAIM**

We claim the ornamental design for a stand up paddle board handle, as shown and described.

**DESCRIPTION**

FIG. 1 is a top and left side perspective view of a stand up paddle board handle, embodying our new design;  
FIG. 2 is a bottom and right side perspective view thereof;  
FIG. 3 is a left side elevation view thereof;  
FIG. 4 is a right side elevation view thereof;  
FIG. 5 is a first end elevation view thereof;  
FIG. 6 is second end elevation view thereof;  
FIG. 7 is a top plan view thereof;  
FIG. 8 is a bottom plan view thereof;  
FIG. 9 is a top and left side perspective view thereof fixed to a stand up paddle board;  
FIG. 10 is a top and left side perspective view of the stand up paddle board handle in a closed condition;  
FIG. 11 is a left side elevation view thereof;  
FIG. 12 is a right side elevation view thereof;  
FIG. 13 is a first end elevation view thereof;  
FIG. 14 is a second end elevation view thereof;  
FIG. 15 is a bottom plan view thereof;  
FIG. 16 is a top plan view thereof; and,  
FIG. 17 is a bottom and left side perspective view thereof fixed to a stand up paddle board closed about a stand up paddle board paddle.  
The broken lines illustrate portions of the article that form no part of the claimed design.

**1 Claim, 11 Drawing Sheets**



(58) **Field of Classification Search**

USPC ..... D12/6, 301, 302, 303, 304, 307, 316,  
 D12/317; 441/56, 65, 74, 75, 79;  
 D2/623, 624, 639; D29/113, 114, 122;  
 D3/215, 269, 270, 271.1, 271.4, 271.9;  
 D24/190; D30/144  
 CPC . A63B 31/10; B63B 35/7906; B63B 35/7926;  
 B63B 35/73; B26B 17/005; A47L 13/16;  
 A47L 23/08; F41H 5/08

See application file for complete search history.

8,864,539 B1 \* 10/2014 Watts ..... B63B 35/7906  
 441/56  
 D716,894 S \* 11/2014 Watts ..... D21/806  
 D725,344 S \* 3/2015 Rich ..... D2/624  
 D747,042 S \* 1/2016 Busuttill ..... D29/113  
 D748,339 S \* 1/2016 Yakubovich ..... D29/113  
 D764,003 S \* 8/2016 Chadwick ..... D21/807  
 D769,451 S \* 10/2016 MacMillan ..... D24/190  
 D802,223 S \* 11/2017 Quantz ..... D29/121.1  
 D820,375 S \* 6/2018 Warren ..... D21/807

OTHER PUBLICATIONS

(56)

**References Cited**

U.S. PATENT DOCUMENTS

D343,284 S \* 1/1994 Jaramillo ..... D11/200  
 D363,154 S \* 10/1995 Petty ..... D2/639  
 D387,187 S \* 12/1997 Connor ..... D11/200  
 D396,938 S \* 8/1998 Bugatti ..... D2/639  
 D408,116 S \* 4/1999 Gale ..... D2/624  
 D408,962 S \* 5/1999 Reagan ..... D2/639  
 D446,381 S \* 8/2001 Garfield ..... D2/500  
 D460,509 S \* 7/2002 Hale ..... A47K 7/02  
 D21/754  
 D470,206 S \* 2/2003 Bergling-Olson ..... D21/754  
 D476,052 S \* 6/2003 Barth ..... D21/698  
 D557,364 S \* 12/2007 Cheung ..... D21/760  
 D606,419 S \* 12/2009 Sturgis ..... D9/703  
 D621,896 S \* 8/2010 McLaughlin ..... D21/771  
 D644,881 S \* 9/2011 van Wijk ..... D7/601  
 D653,017 S \* 1/2012 Hamlin ..... D11/200  
 D669,548 S \* 10/2012 Titley ..... D21/769  
 D673,105 S \* 12/2012 Spain ..... D12/215  
 D697,154 S \* 1/2014 Coyne ..... D21/754  
 D710,569 S \* 8/2014 Pelengaris ..... D2/624

Available Jun. 17, 2018, [online], [site visited Jun. 17, 2018].  
 Available from Internet, <URL:http://www.bodyglove.com/store/cruiser-10-isup/> (Year: 2018).\*  
 (Via YouTube), available Jul. 2, 2017, [online], [site visited Jun. 17, 2018]. Video available from internet, <URL:https://www.youtube.com/watch?v=il1LSX0msco> (Year: 2017).\*  
 Available May 25, 2018, [online], [site visited Jun. 17, 2018].  
 Available from Internet, <URL:https://familyfocusblog.com/bodyglove-inflatable-stand-up-paddle-board/> (Year: 2018).\*  
 Available Apr. 26, 2018, [online], [site visited Jun. 17, 2018].  
 Available from Internet, <URL:https://www.inflatableboarder.com/hawk-sup-11-copacabana-review/> (Year: 2018).\*  
 (Via YouTube), available Aug. 16, 2017, [online], [site visited Jun. 17, 2018]. Video available from internet, <URL:https://www.youtube.com/watch?v=r1MOSSHFJwU> (Year: 2017).\*  
 Available Jun. 17, 2018, [online], [site visited Jun. 17, 2018].  
 Available from Internet, <URL:http://www.isupworld.com/nrs-imperial-review/> (Year: 2018).\*  
 Available Jun. 17, 2018, [online], [site visited Jun. 17, 2018].  
 Available from Internet, <URL:https://sunfunsport.com/products/yakgrips-kayak-paddle-grips?variant=8241380622425> (Year: 2018).\*

\* cited by examiner

FIG. 1

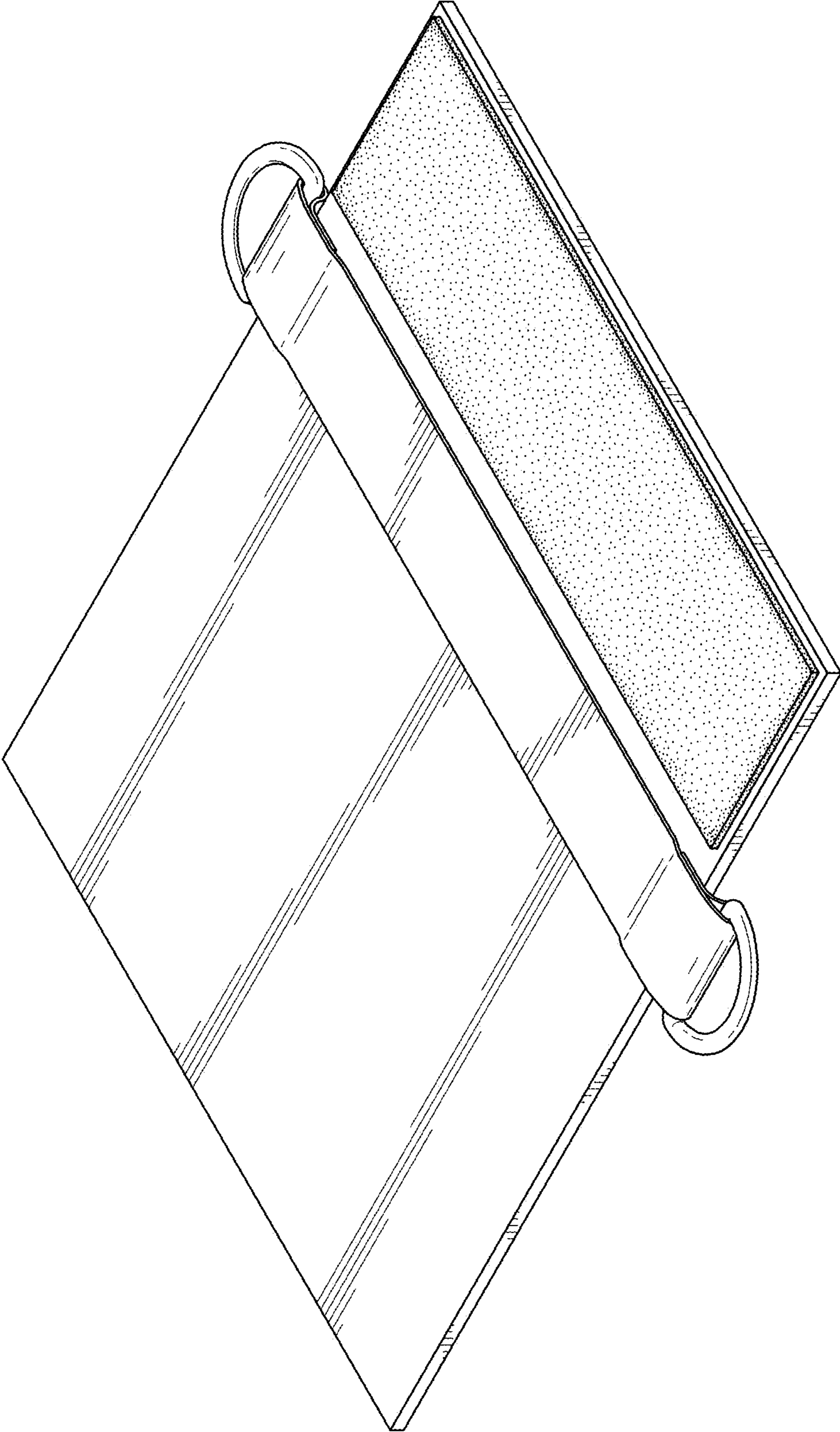


FIG. 2

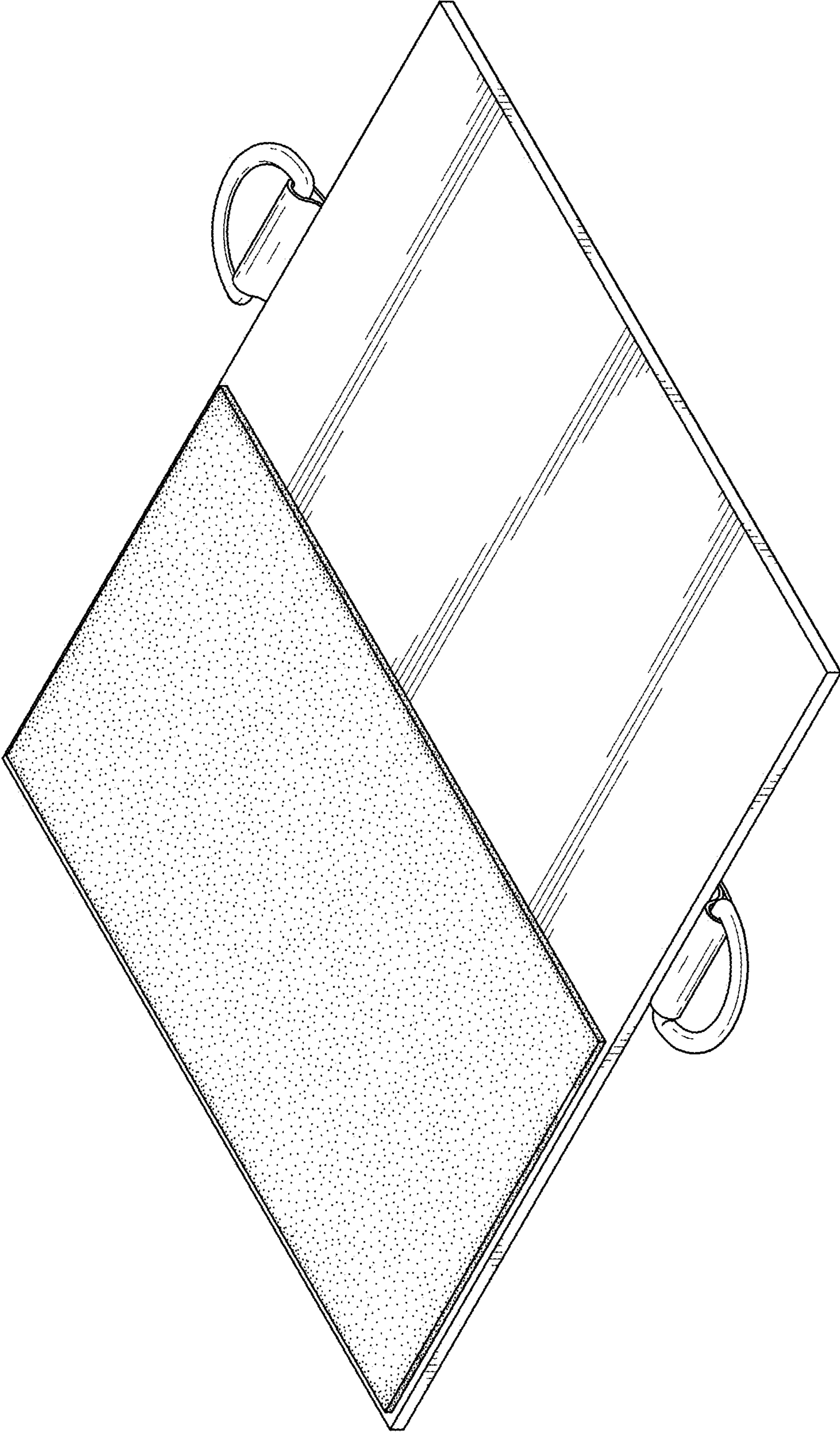


FIG. 3

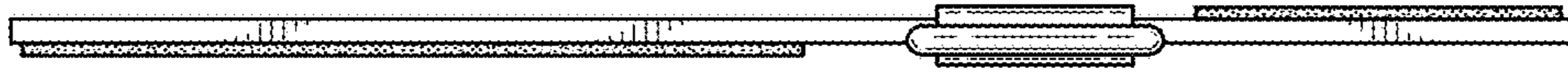


FIG. 4

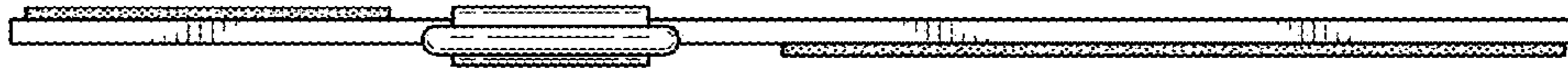


FIG. 5



FIG. 6



FIG. 7

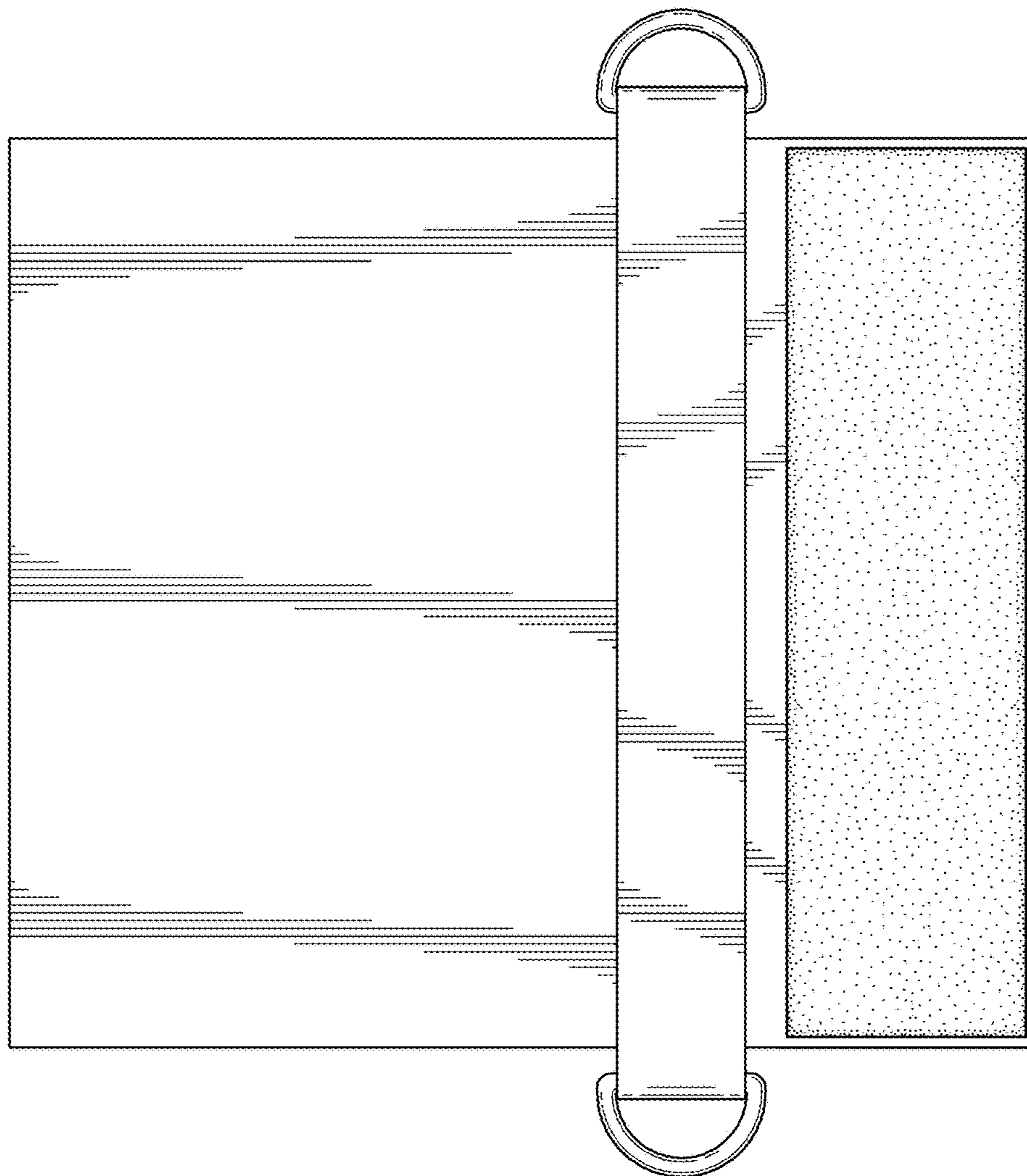
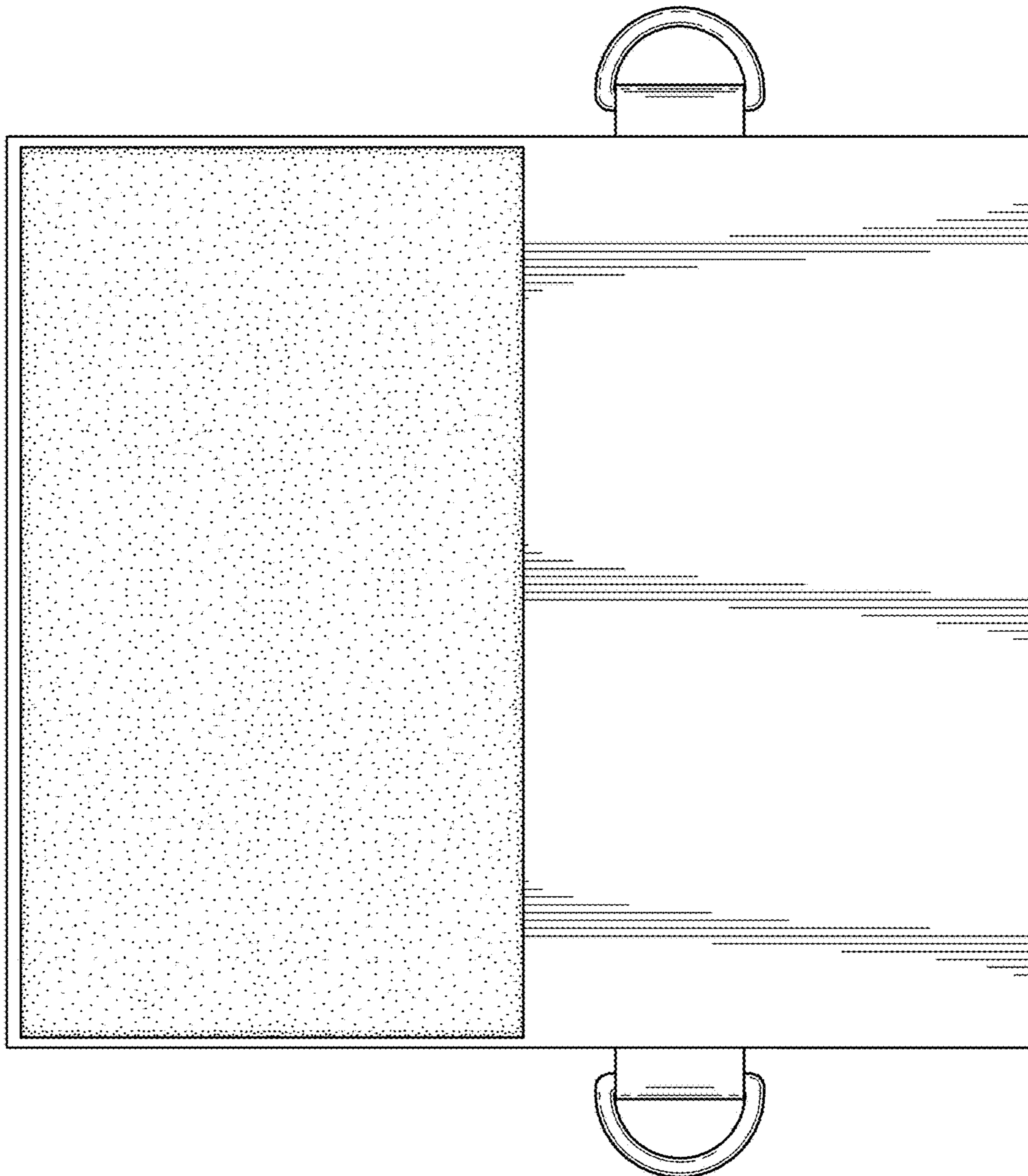


FIG. 8



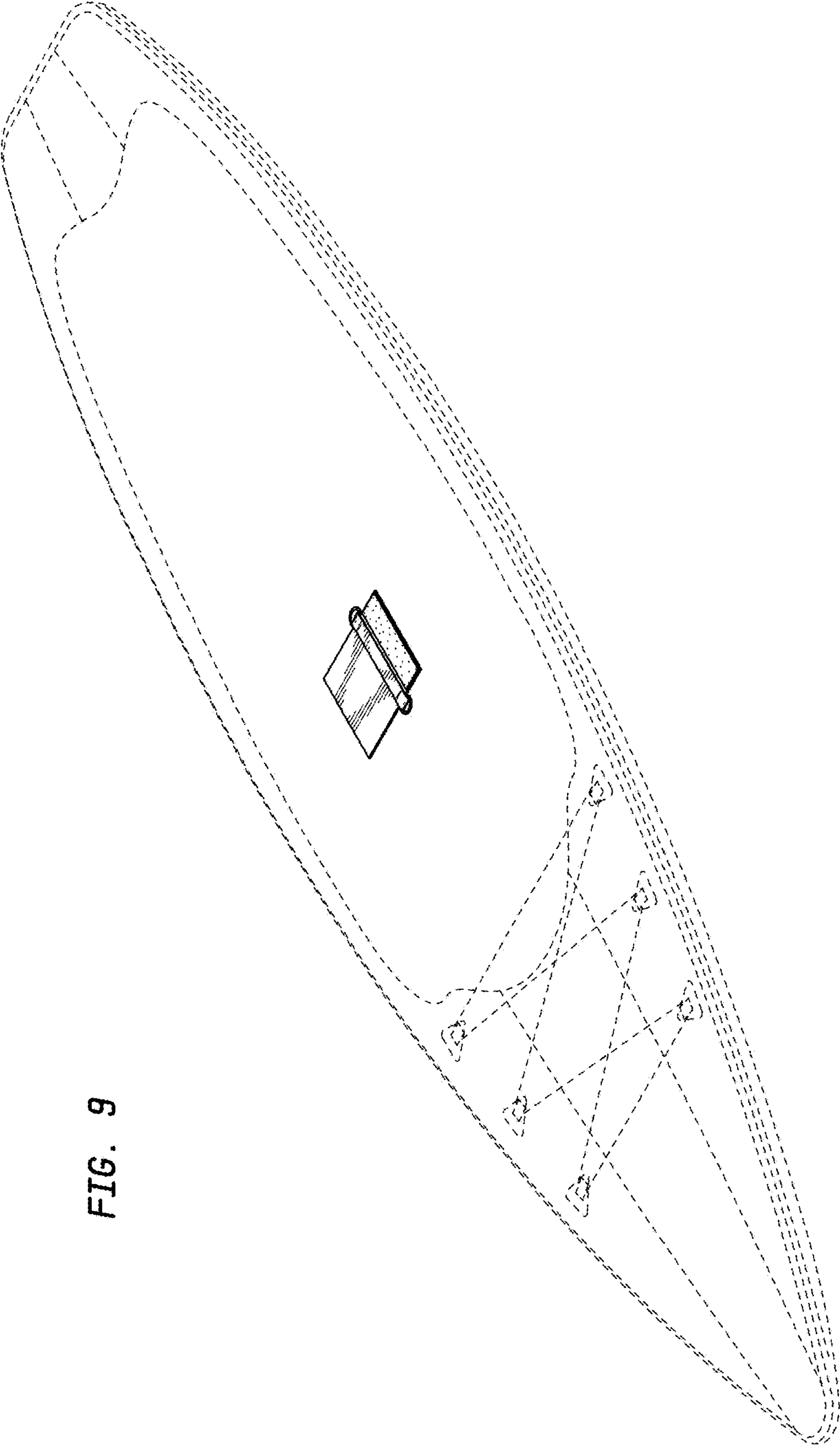


FIG. 9



FIG. 10

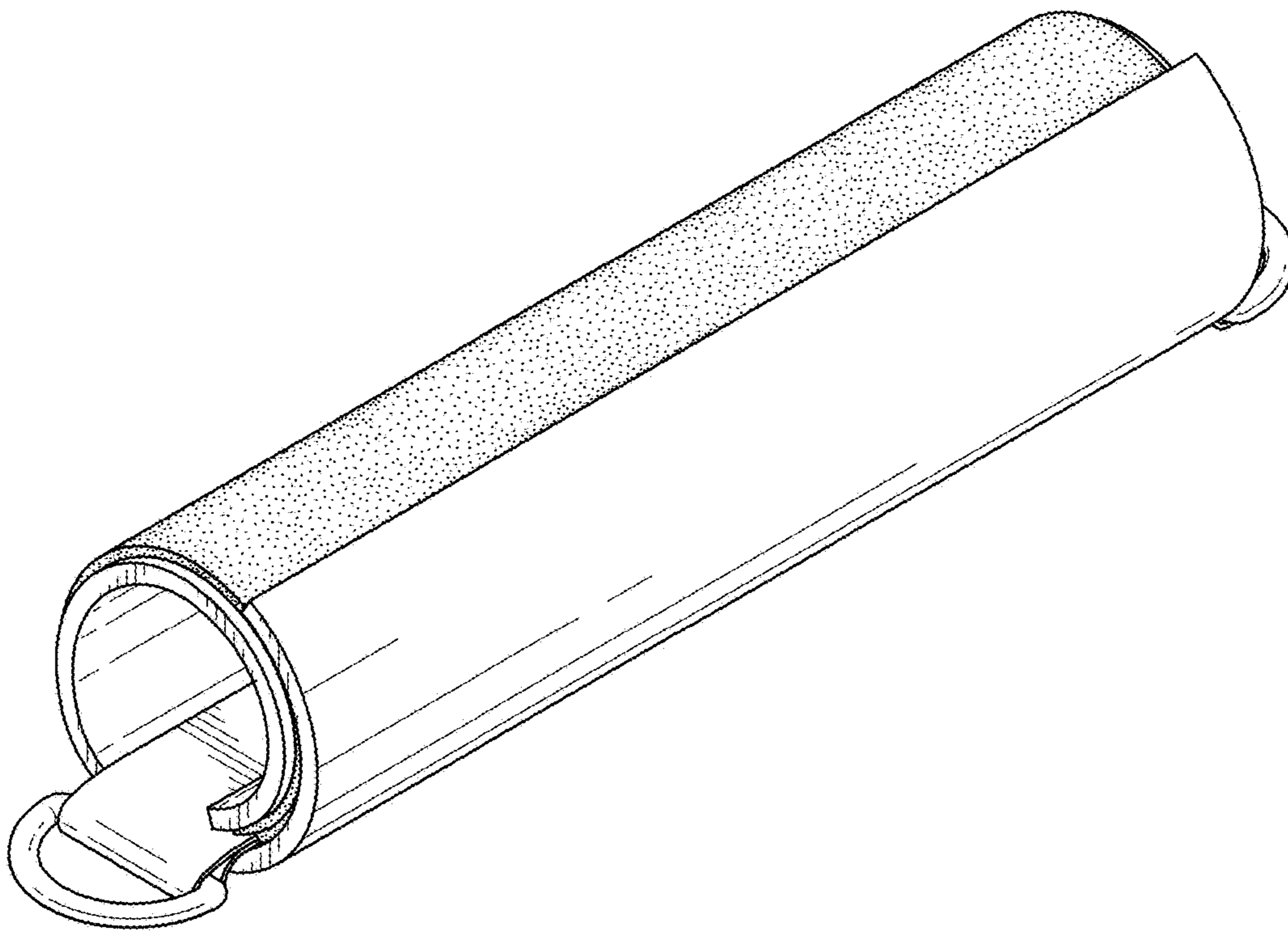


FIG. 11

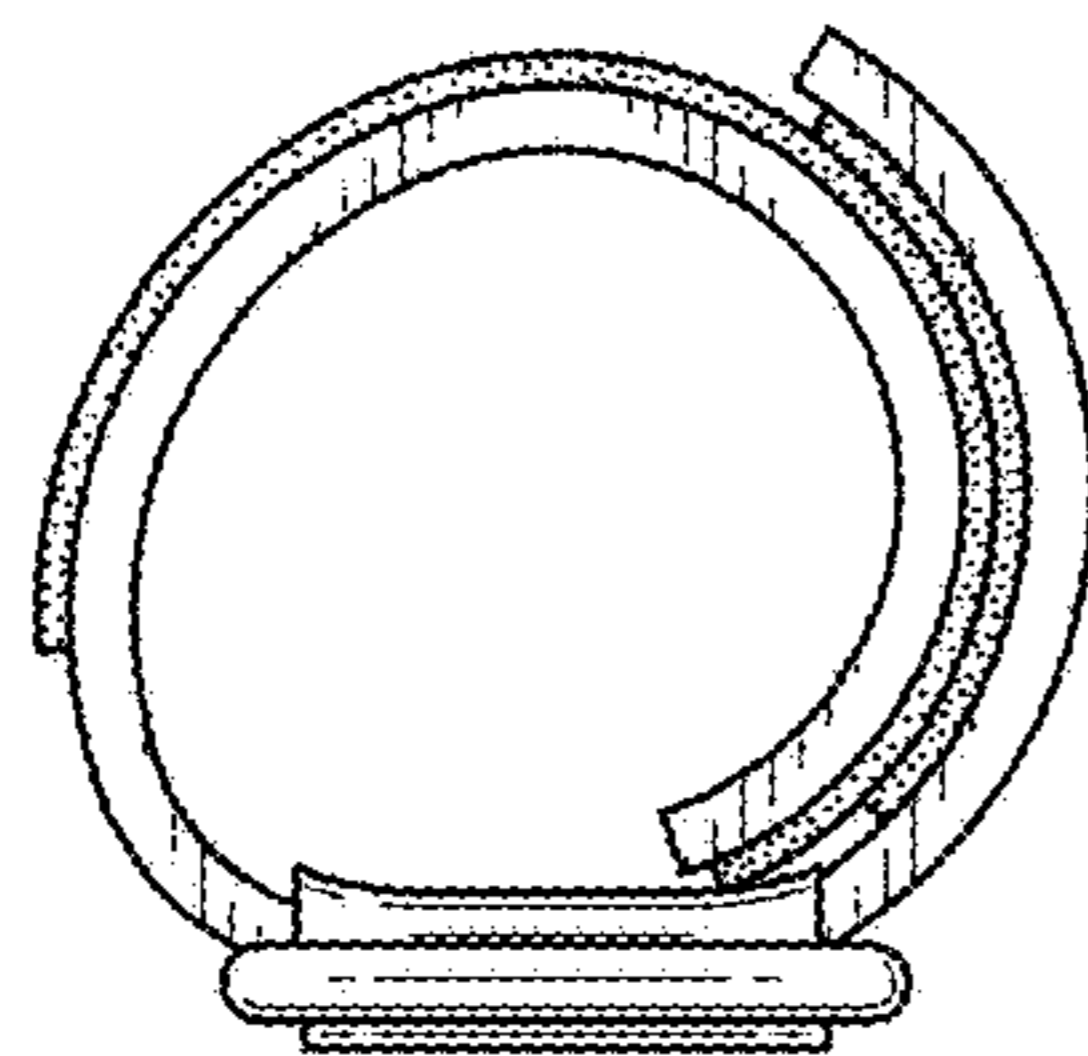


FIG. 12

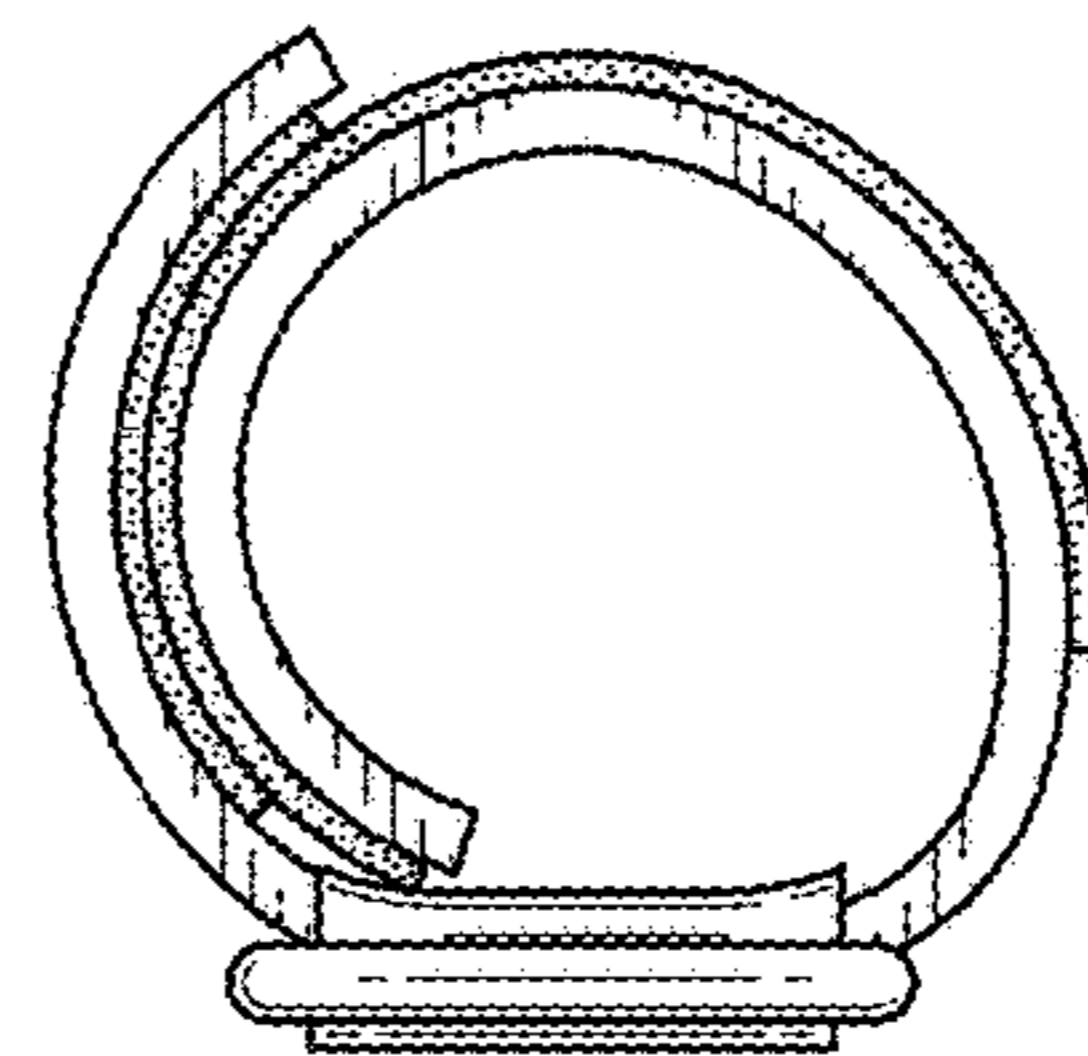


FIG. 13

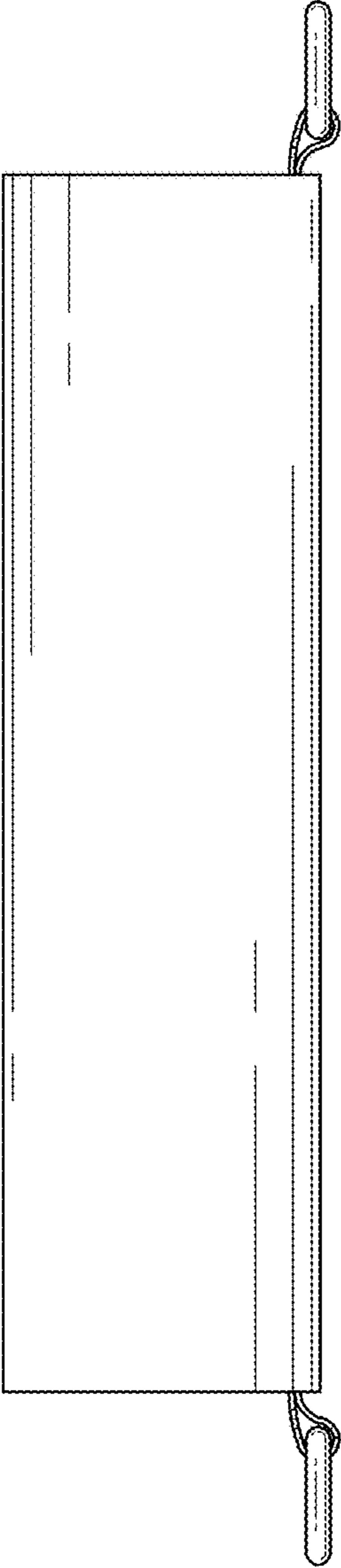


FIG. 14

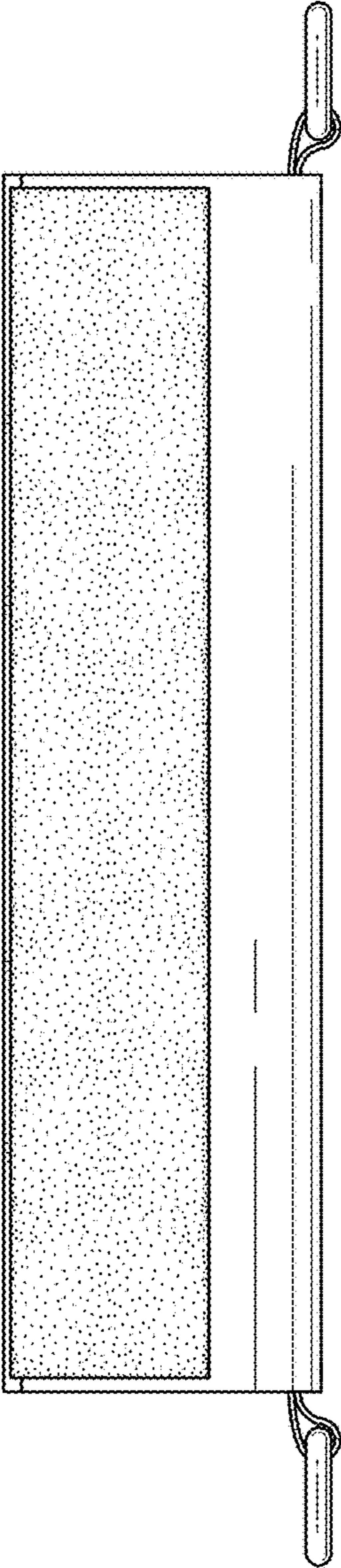


FIG. 15

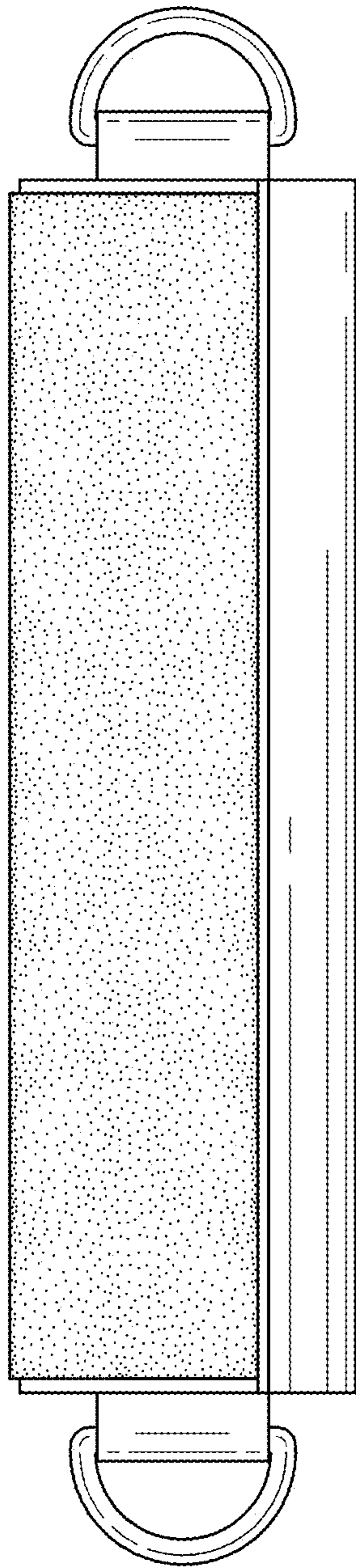
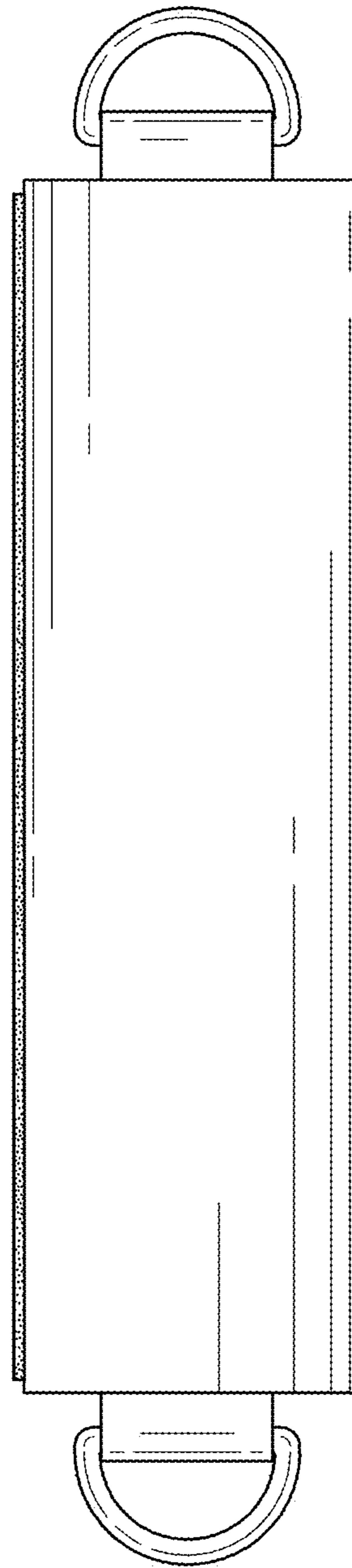


FIG. 16



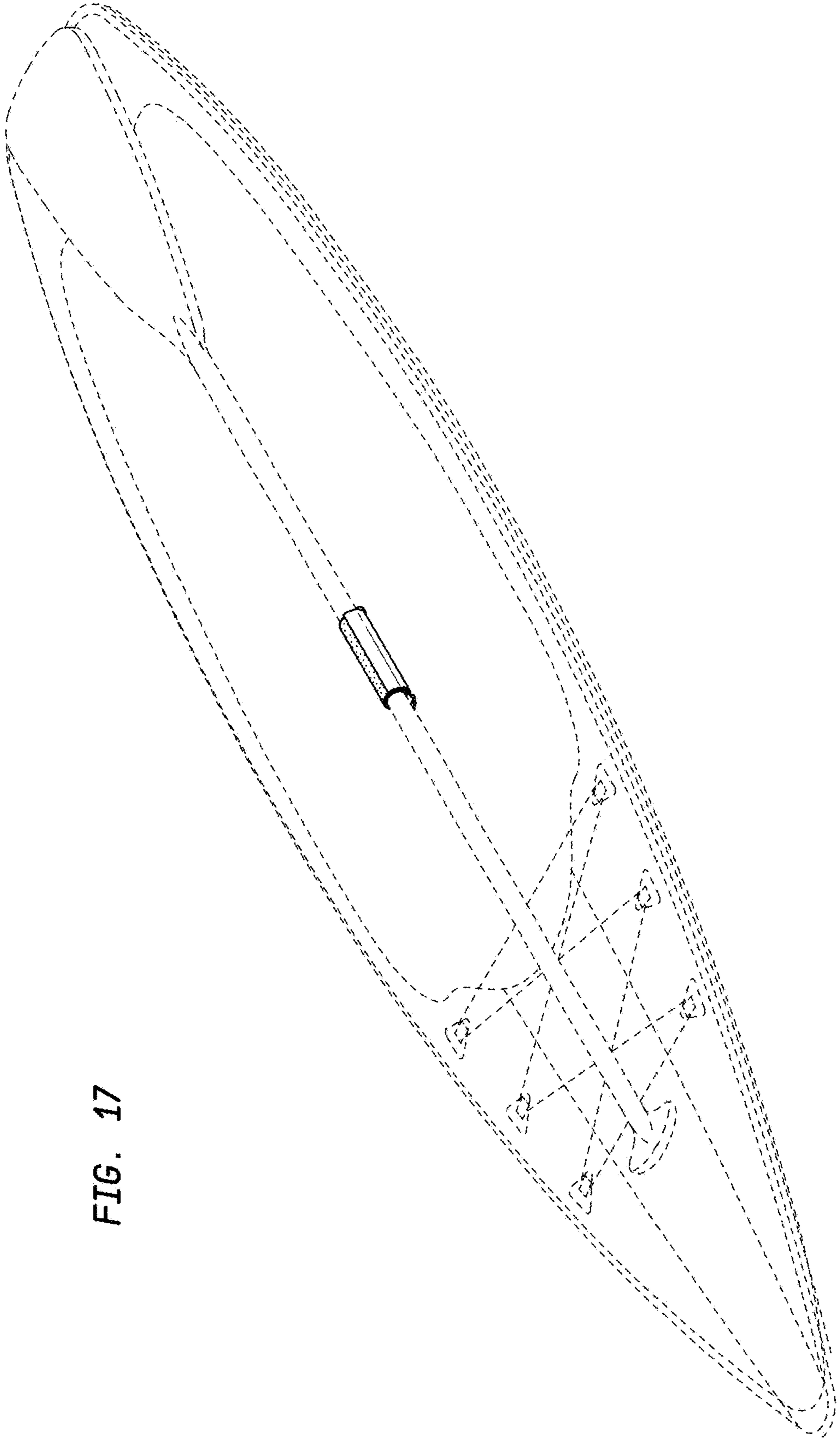


FIG. 17