



US00D843524S

(12) **United States Design Patent**
Henniger

(10) **Patent No.:** **US D843,524 S**
(45) **Date of Patent:** **** Mar. 19, 2019**

(54) **BARBELL**

(71) Applicant: **Coulter Ventures, LLC**, Columbus, OH (US)

(72) Inventor: **William Henniger**, Columbus, OH (US)

(73) Assignee: **Coulter Ventures, LLC**, Columbus, OH (US)

(**) Term: **15 Years**

(21) Appl. No.: **29/605,895**

(22) Filed: **May 31, 2017**

Related U.S. Application Data

(63) Continuation of application No. 29/504,413, filed on Oct. 6, 2014.

(51) **LOC (11) Cl.** **21-02**

(52) **U.S. Cl.**
USPC **D21/694**; D21/681

(58) **Field of Classification Search**
USPC D8/85, 45, 107, 90, 317, 387, 397, 343, D8/31, 75, 14; D21/680, 682, 681, 678, D21/662, 679, 684, 686, 801; 173/102, 173/103, 118, 126, 133; 482/108, 93, 482/110, 111, 105, 8, 107, 106, 139, 94, 482/104, 109, 140, 51, 70, 74, 98, 1, 121, 482/55; D9/629, 456, 680; D11/91, 81, D11/56, 80, 7, 52, 14, 201

(Continued)

(56) **References Cited**

U.S. PATENT DOCUMENTS

3,062,369 A * 11/1962 Guy B65D 83/00
206/525
3,477,285 A * 11/1969 Bird G01B 7/18
174/135

(Continued)

OTHER PUBLICATIONS

The Rogue Bar 2.0 by Rogue dated Aug. 4, 2014. Found online [Aug. 4, 2017] <https://www.roguefitness.com/the-rogue-bar-2-0>.*

Primary Examiner — Ryan Harvey

(74) *Attorney, Agent, or Firm* — The Watson IP Group, PLC; Jovan N. Jovanovic; Vladan M. Vasiljevic

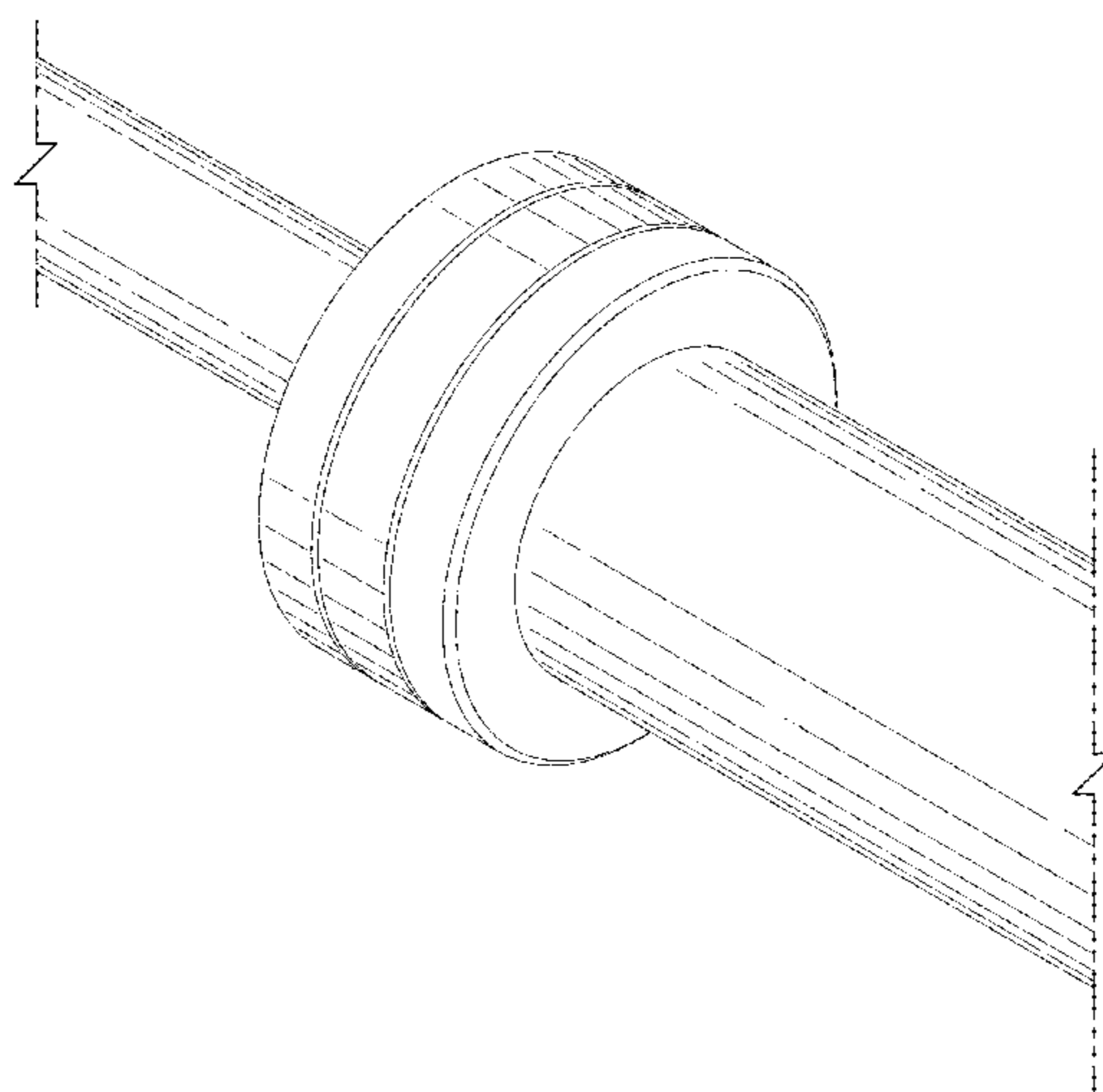
(57) **CLAIM**

The ornamental design for a barbell, as shown and described.

DESCRIPTION

FIG. 1 of the drawings is a front perspective view of the barbell with an elastic band positioned in the channel showing, in particular, the ornamental design thereof; FIG. 2 of the drawings is a back perspective view thereof; FIG. 3 of the drawings is a front elevational view thereof; FIG. 4 of the drawings is a back elevational view thereof; FIG. 5 of the drawings is a top plan view thereof; FIG. 6 of the drawings is a bottom plan view thereof; FIG. 7 of the drawings is a cross-sectional view taken generally about lines 7-7 of FIG. 3; FIG. 8 of the drawings is a front perspective view of the barbell with the elastic band removed from the channel; FIG. 9 of the drawings is a back perspective view thereof with the elastic band removed from the channel; FIG. 10 of the drawings is a front elevational view thereof with the elastic band removed from the channel; FIG. 11 of the drawings is a back elevational view thereof with the elastic band removed from the channel; and, FIG. 12 of the drawings is a perspective view of the barbell having the elastic band positioned in the channel. The dashed lines show features that form no part of the claimed design.

1 Claim, 11 Drawing Sheets



(58) **Field of Classification Search**
 CPC . A47C 7/425; A63B 21/4035; A63B 21/0004;
 A63B 26/003; A63B 2023/006; B60N
 2/66; A47G 9/10; A63H 33/04
 See application file for complete search history.

(56) **References Cited**

U.S. PATENT DOCUMENTS

3,895,466 A * 7/1975 Melton F16L 55/11
 137/800
 D332,030 S * 12/1992 Kauffman D7/624.1
 5,281,878 A * 1/1994 Schaeffer H02K 7/14
 310/87
 D346,821 S * 5/1994 Smith 347/88
 D400,406 S * 11/1998 House D7/624.1
 5,915,580 A * 6/1999 Melk B65D 23/08
 215/386
 D427,258 S * 6/2000 Sandoval D21/681
 D428,084 S * 7/2000 Sandoval D21/679
 D428,455 S * 7/2000 Sandoval D21/679
 D429,221 S * 8/2000 Picozza D13/168
 D433,468 S * 11/2000 Rojas D21/680
 D434,655 S * 12/2000 Haugh D9/434
 D437,015 S * 1/2001 Rojas D21/679
 6,386,992 B1 * 5/2002 Harris A63B 37/0003
 473/356
 D469,135 S * 1/2003 Bell D21/662

D480,969 S * 10/2003 Owens 220/4.27
 D554,237 S * 10/2007 Lewis D23/259
 D574,117 S * 7/2008 Gregory D11/146
 D583,883 S * 12/2008 Thomas D21/679
 D596,452 S * 7/2009 Komorski D7/387
 D611,524 S * 3/2010 Lawrence, III D17/22
 D613,600 S * 4/2010 David D9/456
 D644,073 S * 8/2011 Nottke D7/697
 D685,865 S * 7/2013 Kuhn D21/679
 8,500,609 B1 * 8/2013 Williams A63C 11/228
 135/65
 D689,701 S * 9/2013 Mischel, Jr. D6/309
 D725,722 S * 3/2015 Conaway D21/679
 D749,889 S * 2/2016 Magistro D7/354
 D763,658 S * 8/2016 Grasselli D8/321
 D787,976 S * 5/2017 Jimenez D11/81
 D801,496 S * 10/2017 Letham D23/336
 2012/0094810 A1 * 4/2012 Anderson A63B 21/0724
 482/107
 2014/0045660 A1 * 2/2014 Murray A63B 21/0724
 482/106
 2015/0343255 A1 * 12/2015 Miller A63B 21/072
 482/104
 2017/0157489 A1 * 6/2017 Young A63B 21/4035
 2017/0216650 A1 * 8/2017 Simmons A63B 21/055
 482/107
 2017/0216654 A1 * 8/2017 Parker A63B 21/0722
 482/107

* cited by examiner

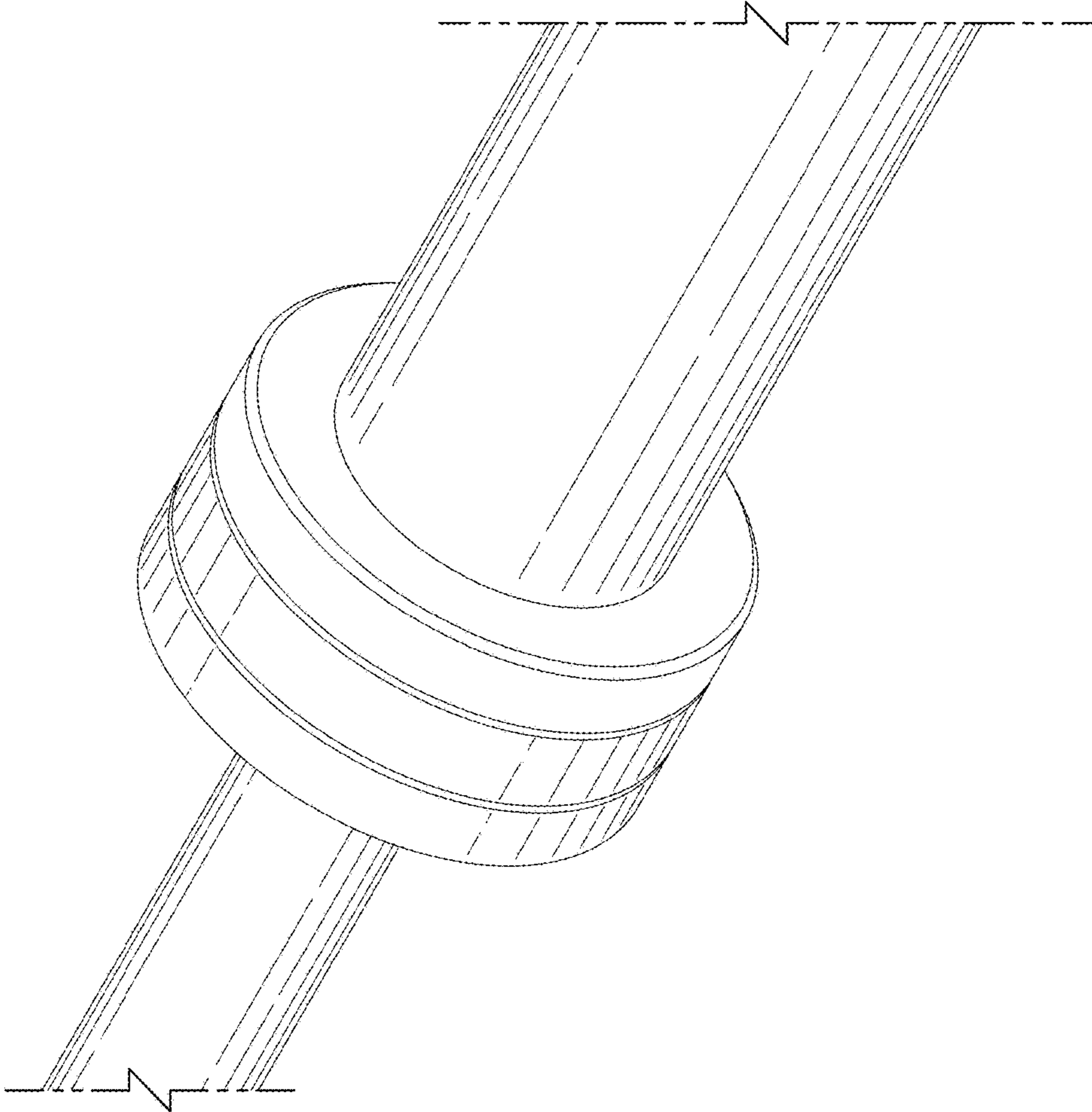


FIG. 1

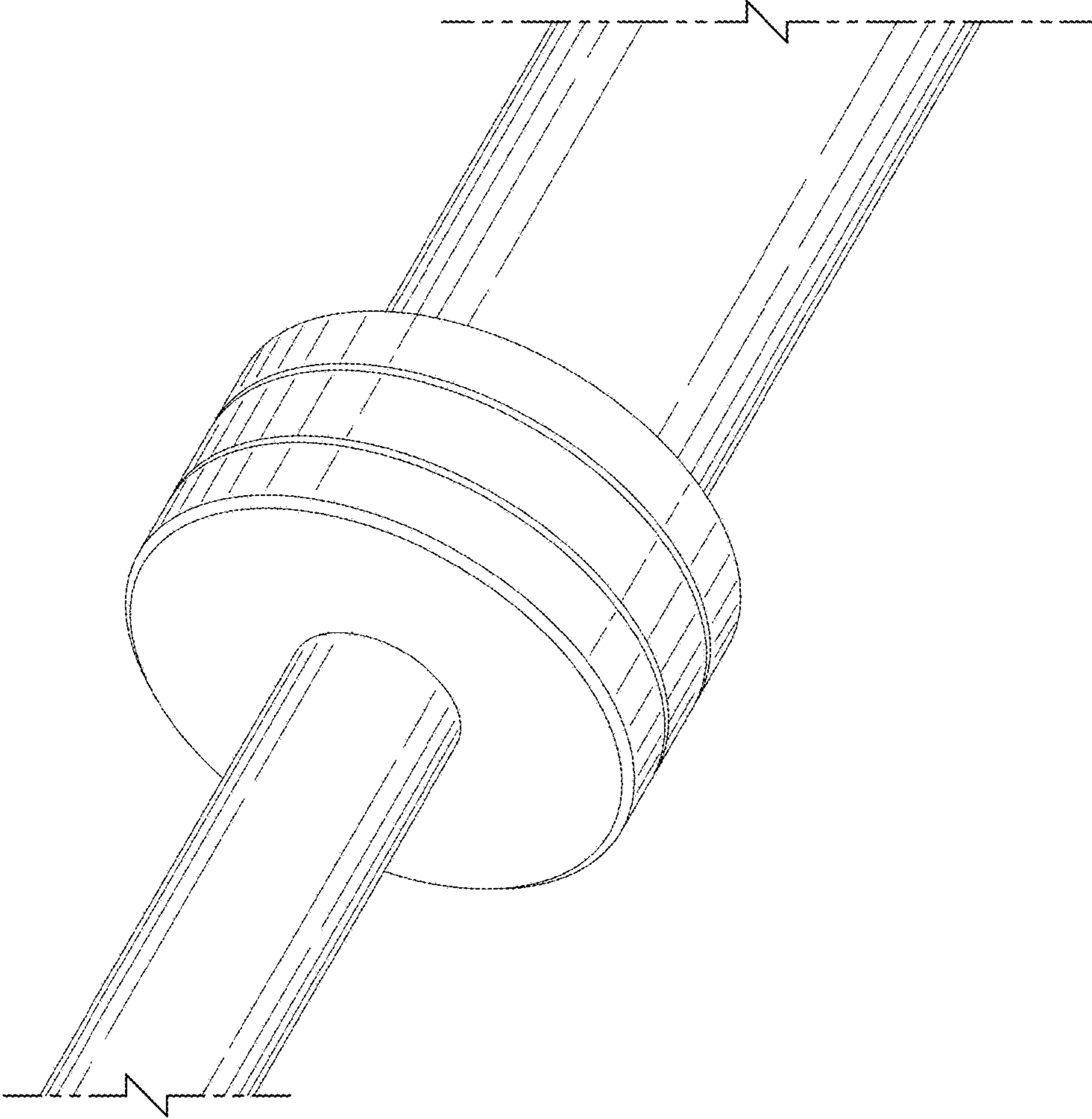
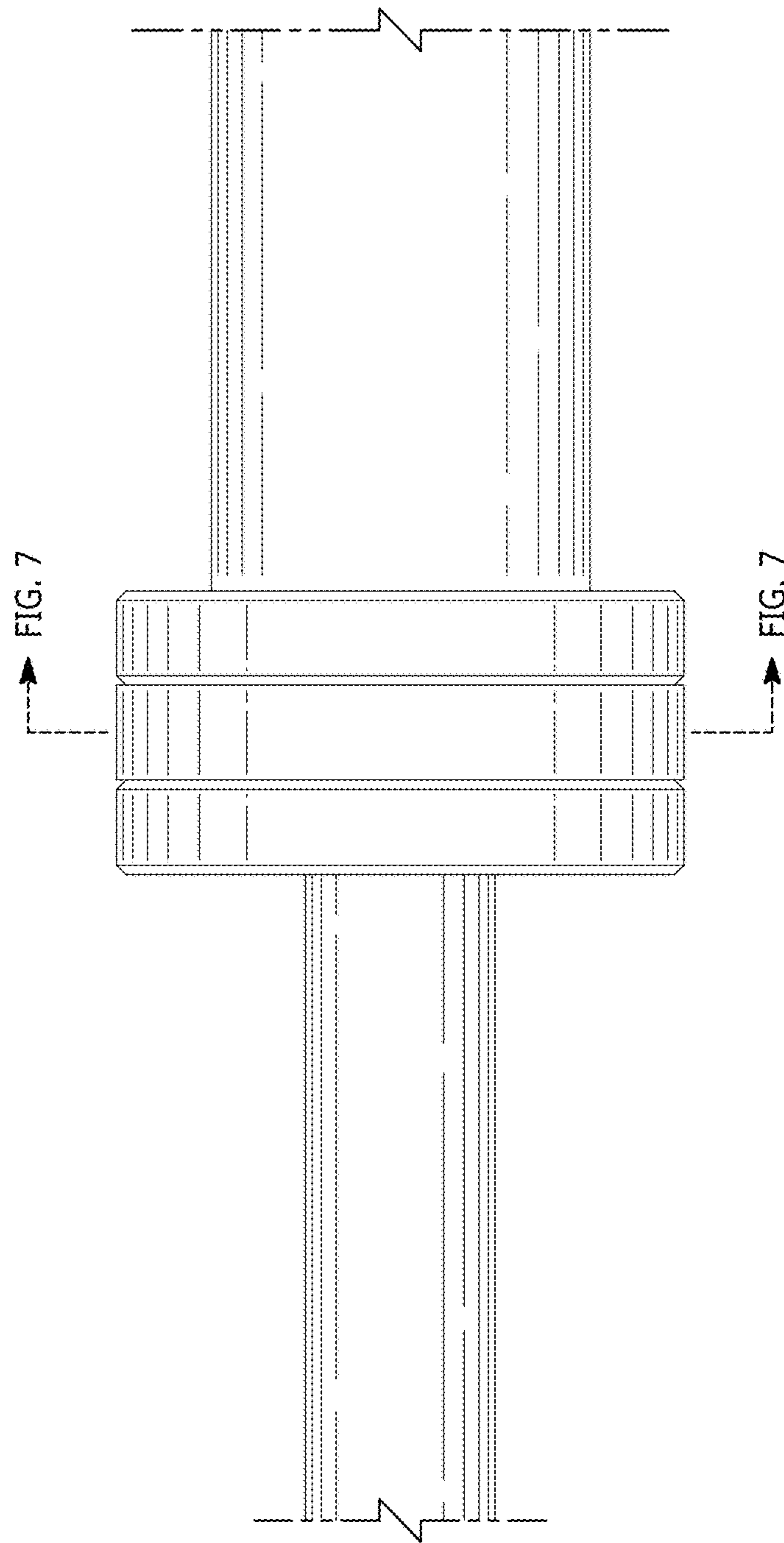


FIG. 2



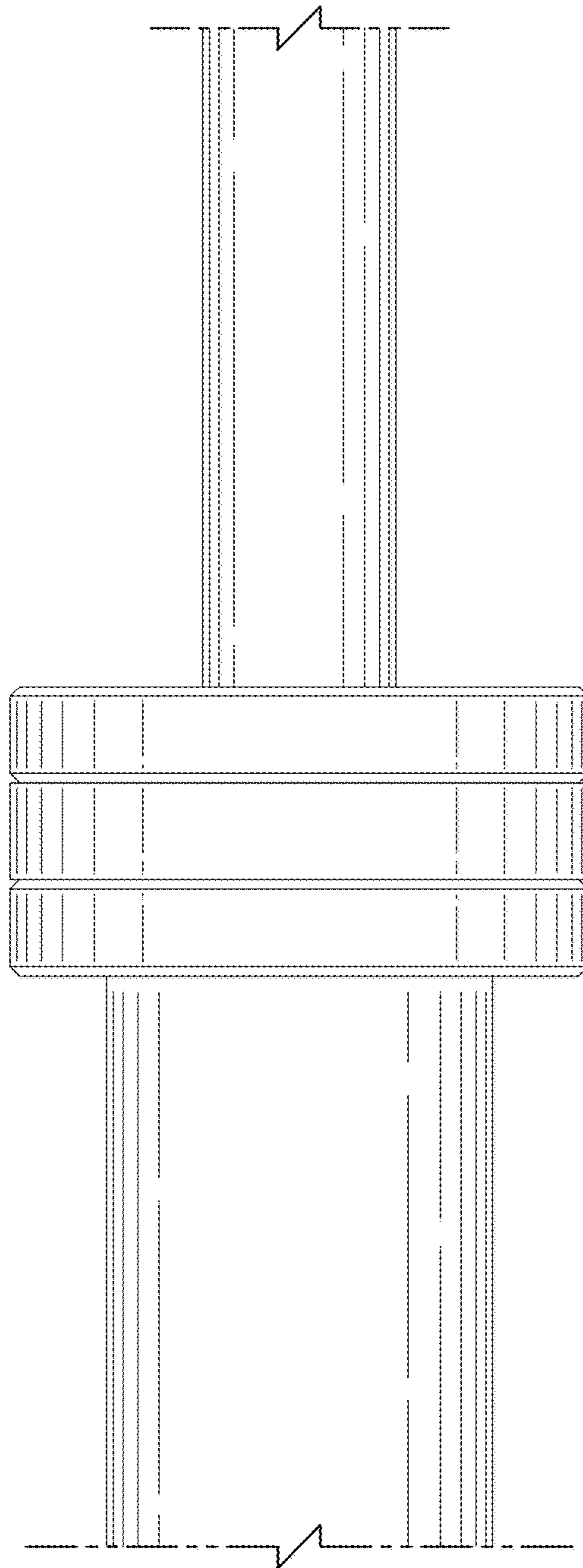


FIG. 4

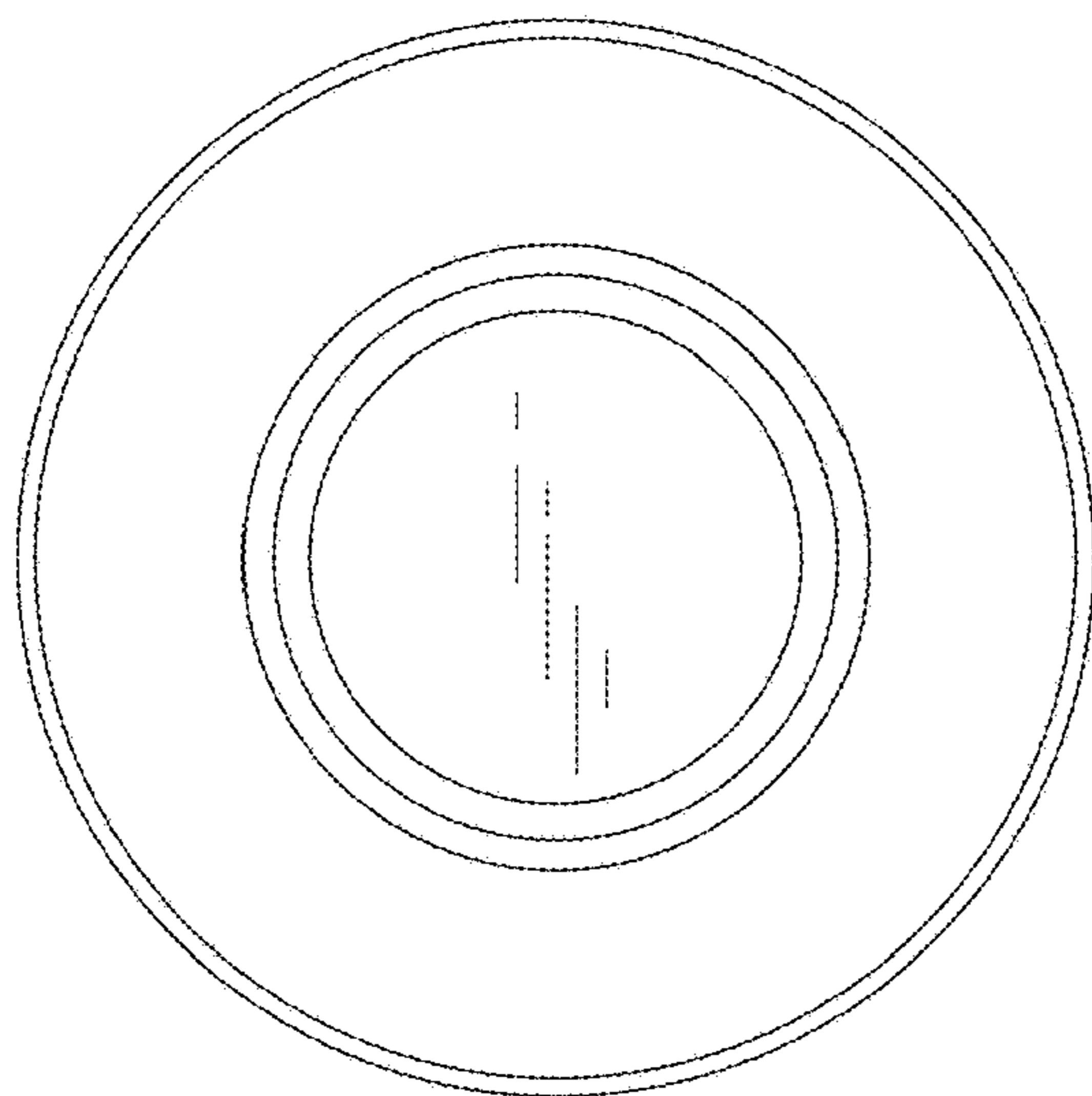


FIG. 5

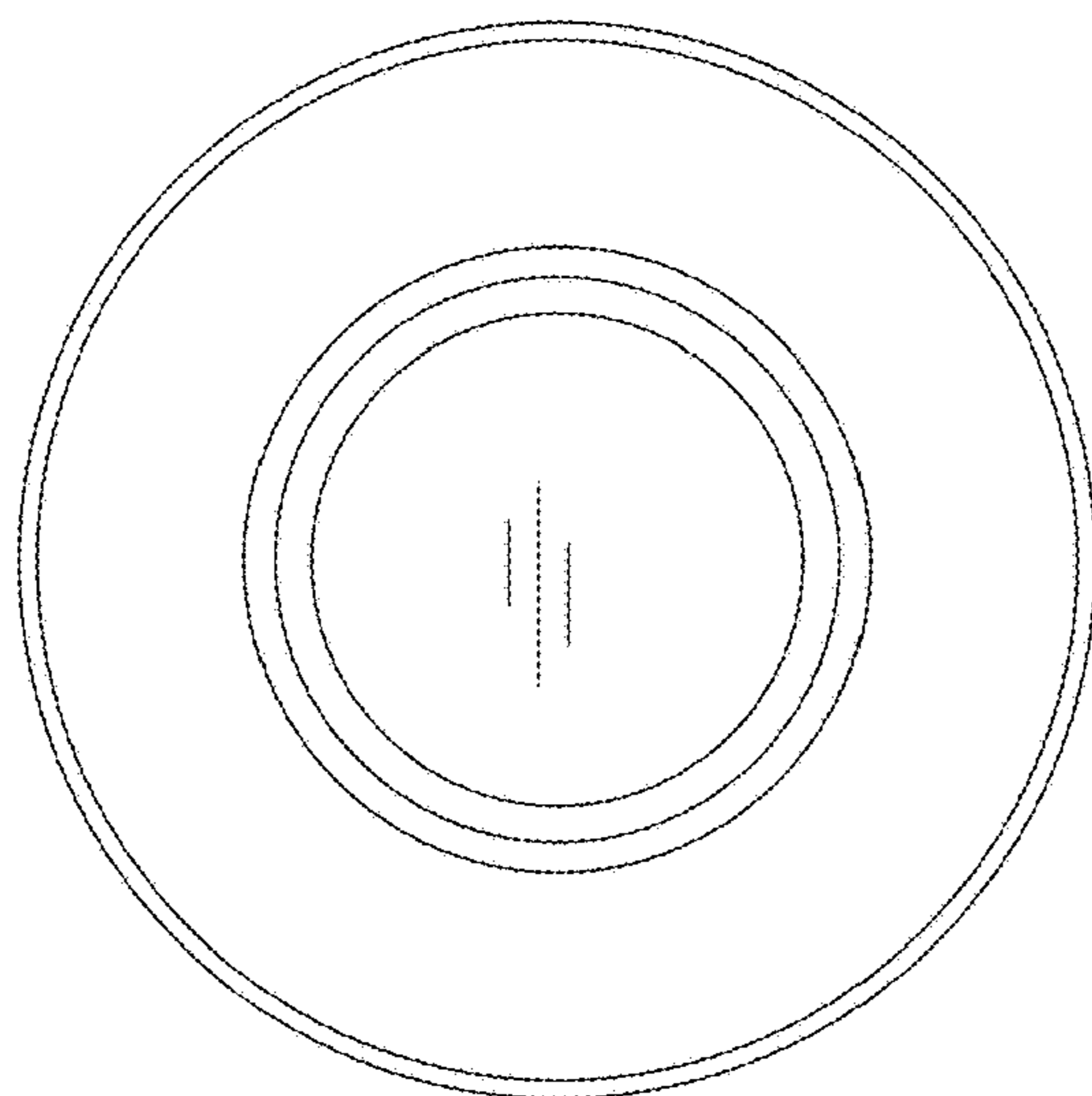


FIG. 6

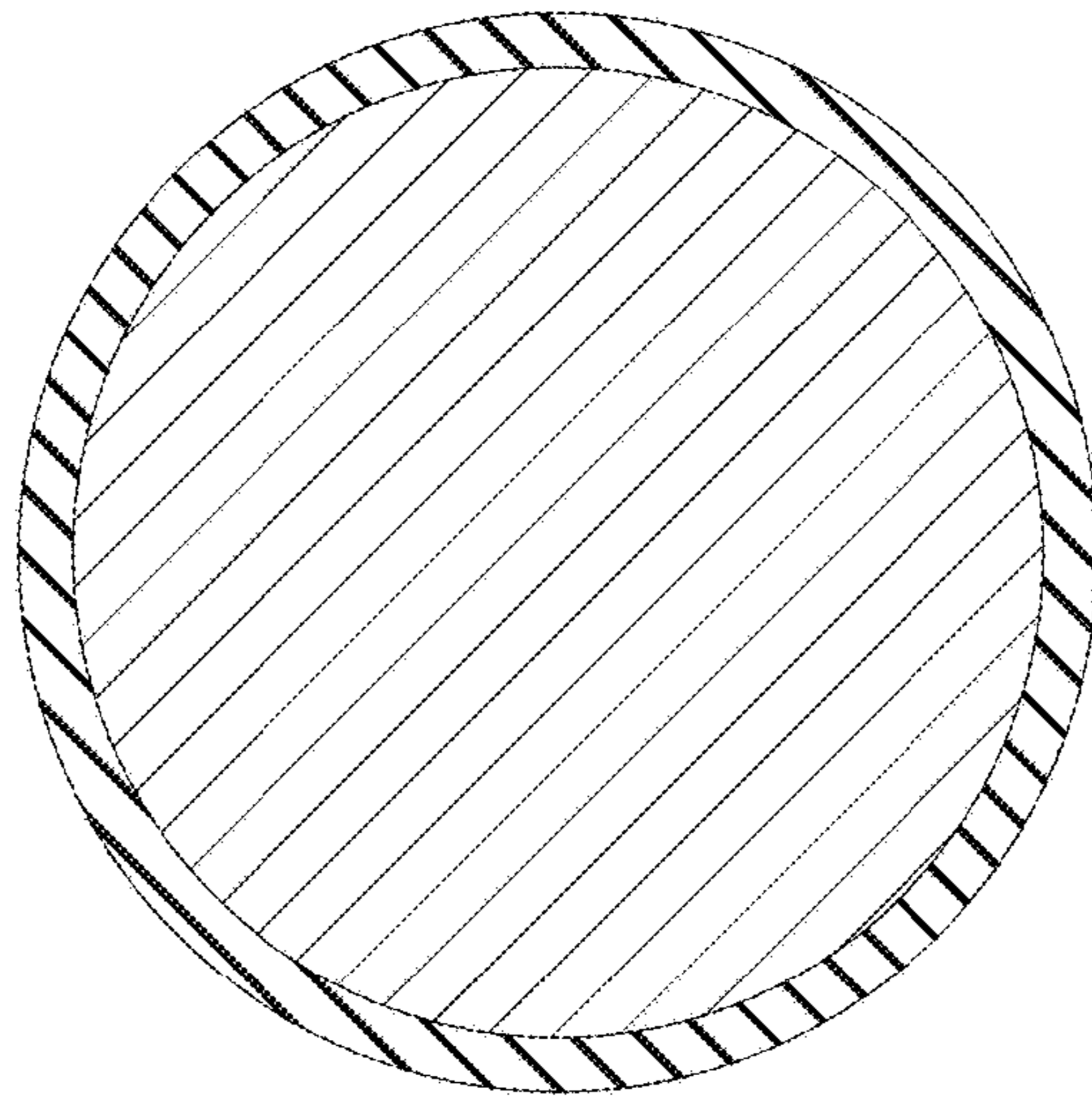


FIG. 7

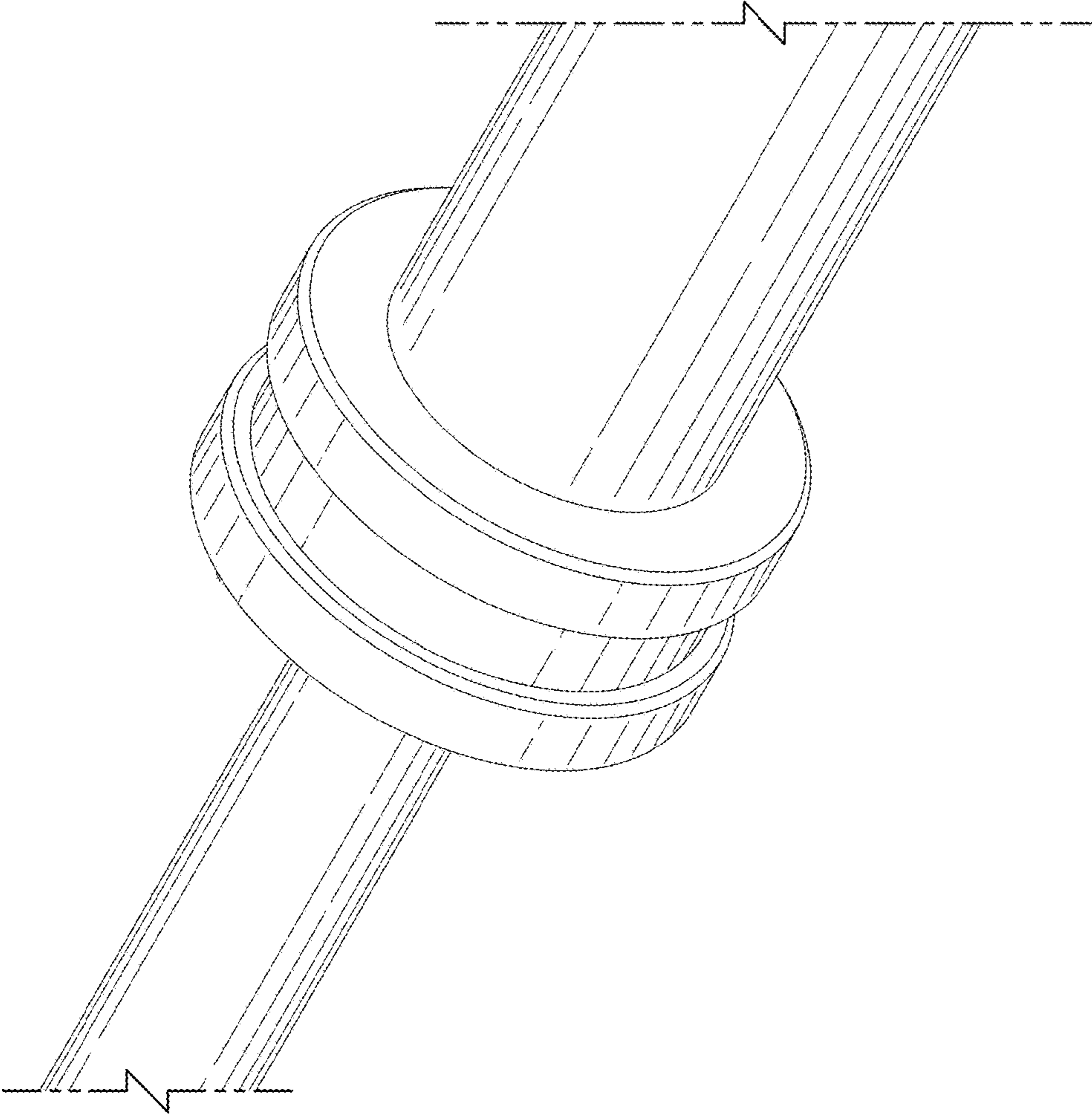


FIG. 8

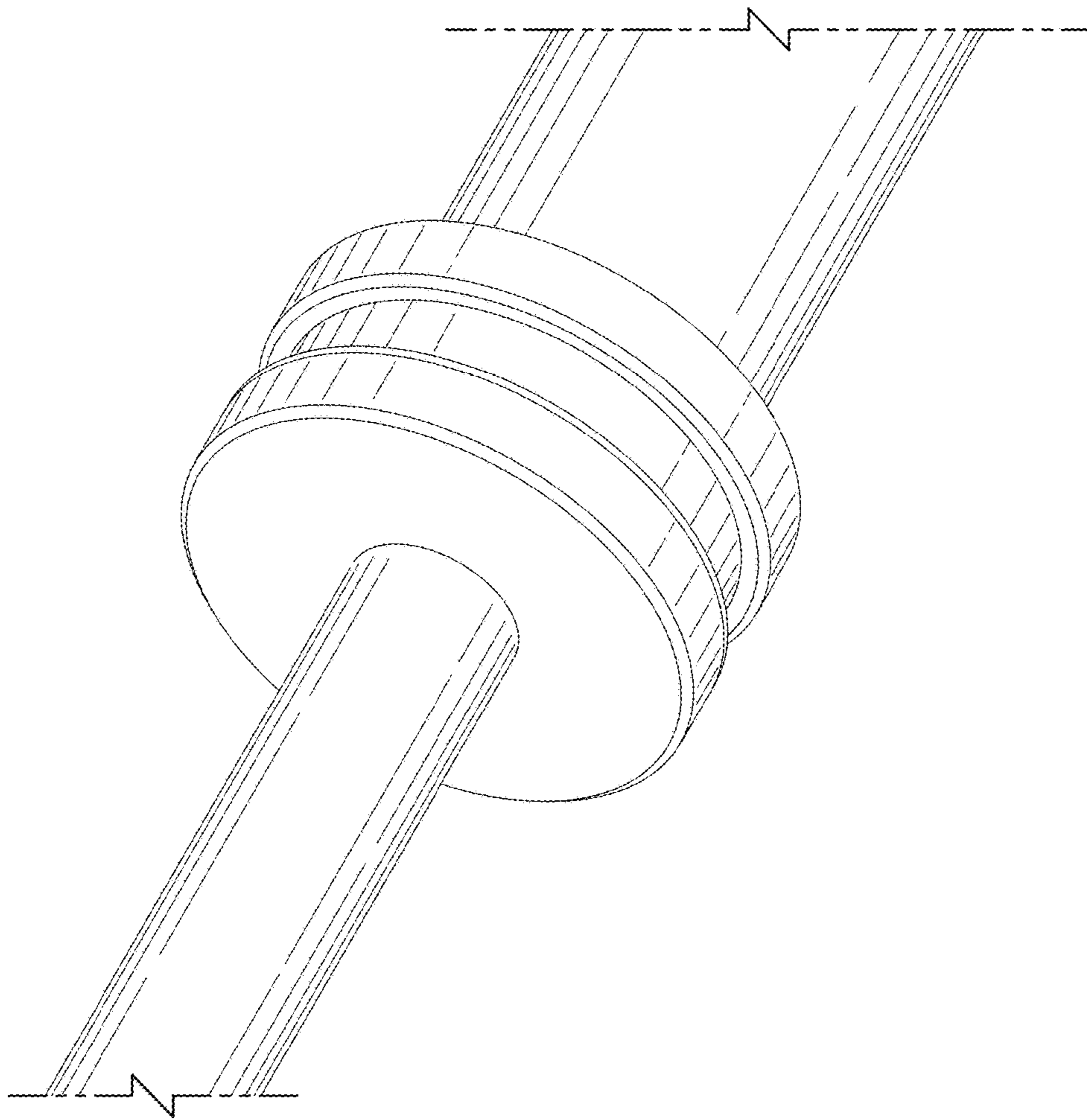


FIG. 9

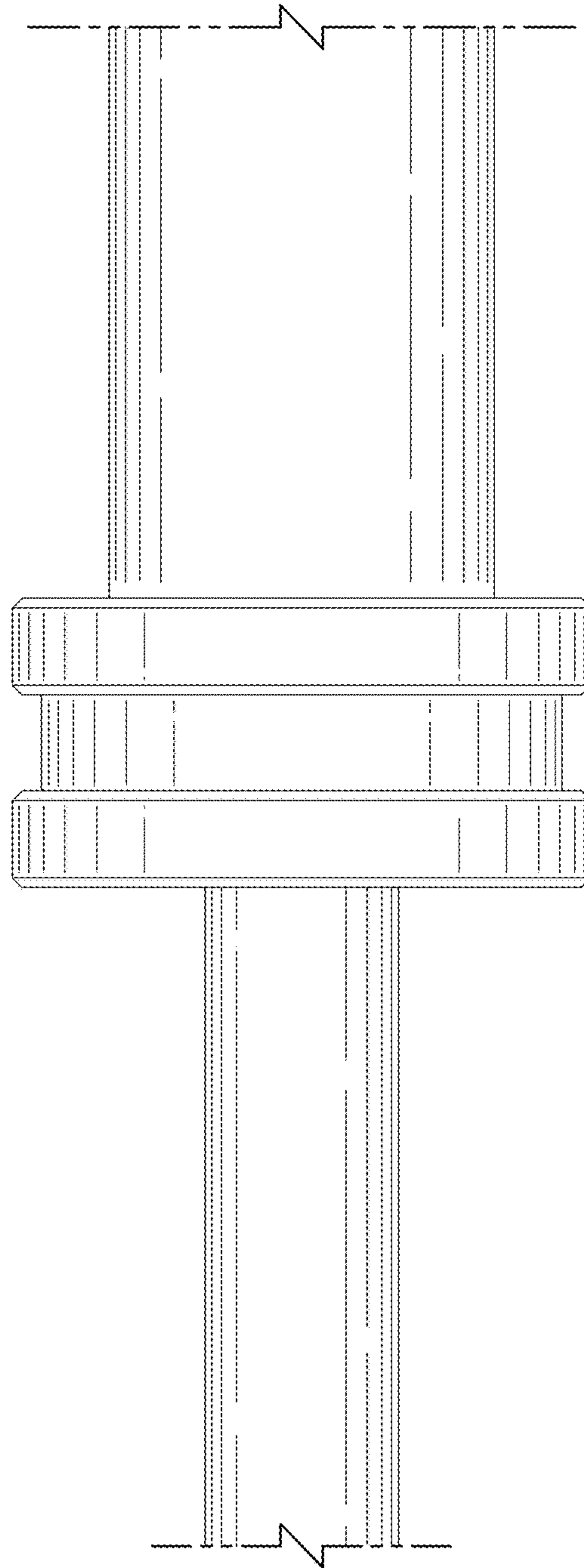


FIG. 10

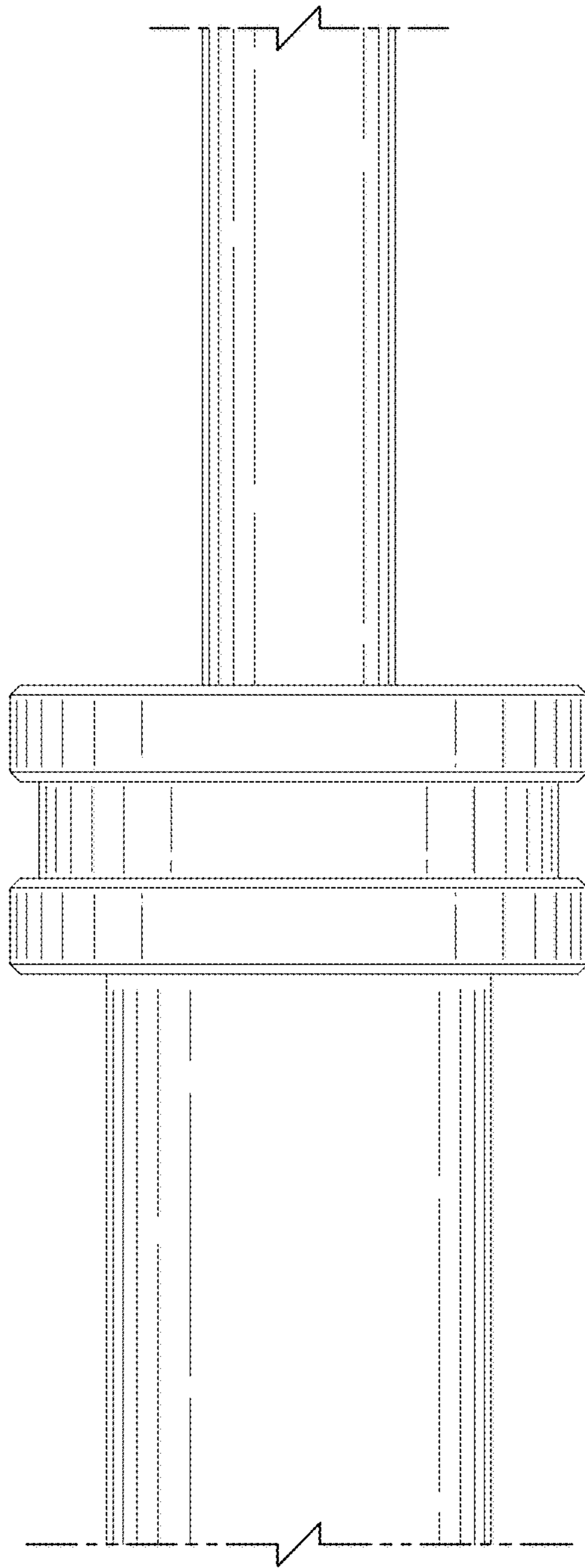


FIG. 11

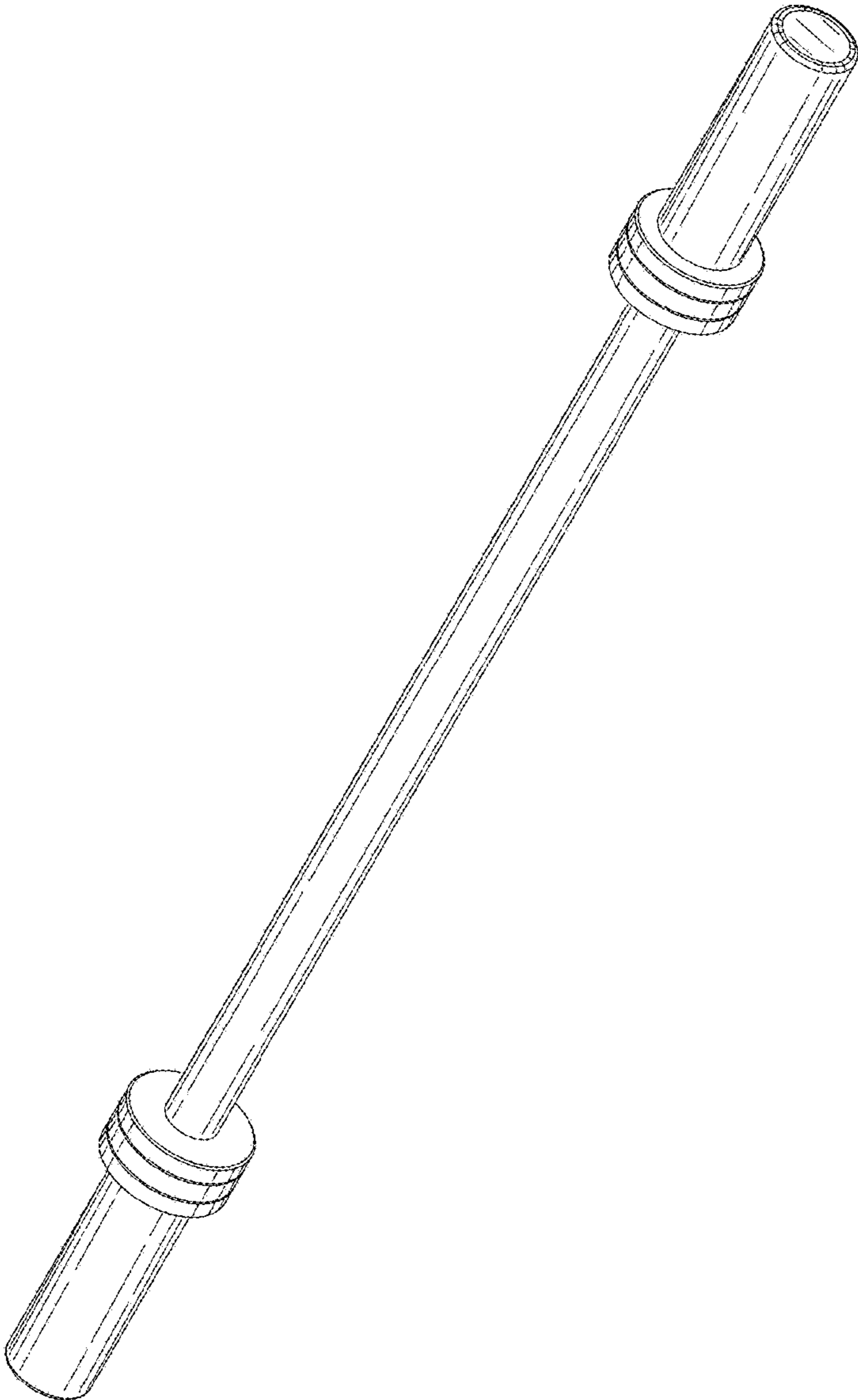


FIG. 12