



US00D843522S

(12) **United States Design Patent** (10) **Patent No.:** **US D843,522 S**
Miklavc et al. (45) **Date of Patent:** **** Mar. 19, 2019**

(54) **COVER FOR VIBRATING EXERCISE ROLLER**

D299,974 S * 2/1989 Schmitt 401/208
D369,361 S * 4/1996 Satake D15/131
D486,192 S * 2/2004 Pointer, Jr. D21/692

(Continued)

(71) Applicant: **Hyper Ice, Inc.**, Irvine, CA (US)

(72) Inventors: **Jure Miklavc**, Kusterdingen (DE);
Silva Vitez, Kusterdingen (DE)

FOREIGN PATENT DOCUMENTS

DE 102006058876 A1 10/2007
DE 202014004900 U1 10/2014

(Continued)

(73) Assignee: **Hyper Ice, Inc.**, Irvine, CA (US)

(**) Term: **15 Years**

OTHER PUBLICATIONS

(21) Appl. No.: **29/599,430**

“Hyperice | Vyper Vibrating Foam Roller,” www.hyperice.com/vyper, accessed on Sep. 7, 2017, 10 pages.

(22) Filed: **Apr. 3, 2017**

(51) **LOC (11) Cl.** **21-02**

(52) **U.S. Cl.**

USPC **D21/692**

(58) **Field of Classification Search**

USPC ... 482/106, 51, 93, 109, 110, 139, 142, 148,
482/44, 45, 46, 141, 95, 50, 129, 127;
D21/680, 798, 692, 662, 804, 686, 671,
D21/691, 682, 694, 687, 654, 487, 679,
D21/684, 688, 412, 685, 400, 791, 725,
D21/386; D24/188, 211, 141, 215, 190,
D24/200, 231, 106, 171; D30/160, 119;
D6/601, 598, 604, 691.4, 597, 348, 361,
D6/596, 606; 601/112, 121, 122, 46, 15,
601/19, 120, 134, 135, 131; 220/4.07,
220/4.24, 4.27, 666; D3/307, 290, 299,
D3/289, 287, 254, 246, 228, 302, 300,
D3/301, 276, 11; 476/256, 519, 549,
476/558, 559, 564, 118, 457, 219, 513,
476/560, 568, 409; D7/608
CPC A61H 15/0092; A61H 2201/0207; A61H
15/00; A61H 2205/081; A61H 23/0263;
A61H 2015/0014; A61H 2201/1284
See application file for complete search history.

Primary Examiner — Ryan Harvey

(74) *Attorney, Agent, or Firm* — Patterson Intellectual
Property Law, P.C.; Jerry Turner Sewell

(57) **CLAIM**

The ornamental design for a “cover for vibrating exercise roller,” as shown and described.

DESCRIPTION

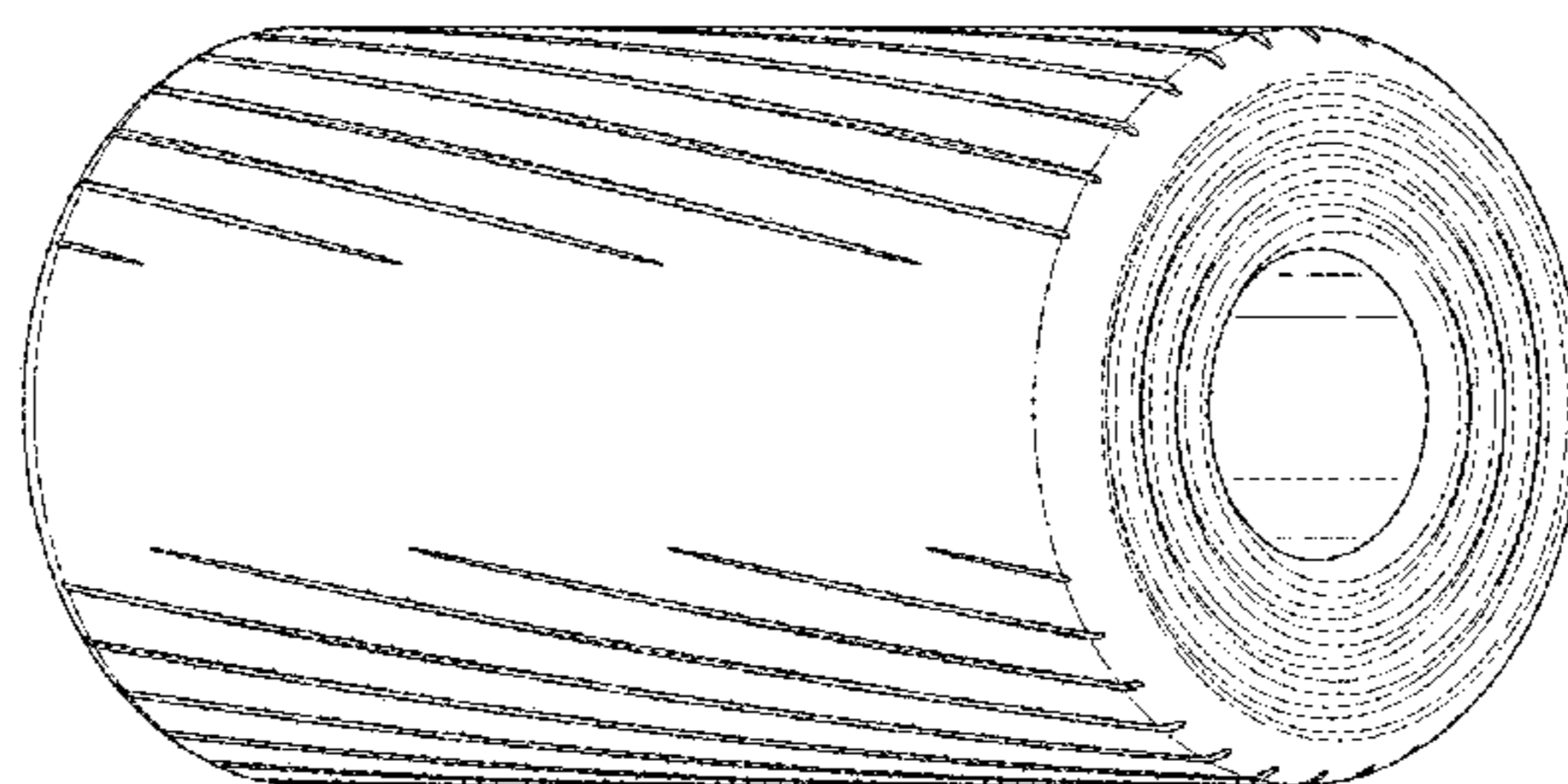
FIG. 1 is a front perspective view of the present design.
FIG. 2 is a rear perspective view of the present design.
FIG. 3 is a left side elevation view of the present design.
FIG. 4 is a right side elevation view of the present design.
FIG. 5 is a front elevation view of the present design.
FIG. 6 is a rear elevation view of the present design.
FIG. 7 is a top plan view of the present design.
FIG. 8 is a bottom plan view of the present design.
FIG. 9 is a front elevational cross-sectional view taken along
the line 9-9 in FIG. 3; and,
FIG. 10 is a side elevational cross-sectional view taken
along the line 10-10 in FIG. 6.

1 Claim, 7 Drawing Sheets

(56) **References Cited**

U.S. PATENT DOCUMENTS

2,428,953 A * 10/1947 Adams B05C 17/0207
15/230.11
D166,659 S * 5/1952 Colotti D28/90



(56)

References Cited

U.S. PATENT DOCUMENTS

6,990,699 B2 * 1/2006 Hedges A47G 9/1081
128/845
8,002,682 B2 8/2011 Dye
D756,126 S * 5/2016 Makiuchi D4/122
10,071,014 B2 * 9/2018 Yeh A61H 15/00
2002/0193714 A1 * 12/2002 Pecora A61H 15/00
601/121
2005/0070827 A1 3/2005 Lee
2009/0176635 A1 7/2009 Brinson
2013/0267396 A1 10/2013 Dye
2016/0074274 A1 * 3/2016 Mallory A61H 15/0092
601/119
2018/0028388 A1 * 2/2018 Leier A61H 1/003

FOREIGN PATENT DOCUMENTS

DE 2020147004901 U1 10/2014
DE 102014211779 A1 12/2015
DE 102014211780 A1 12/2015
DE 102015002235 A1 12/2015

* cited by examiner

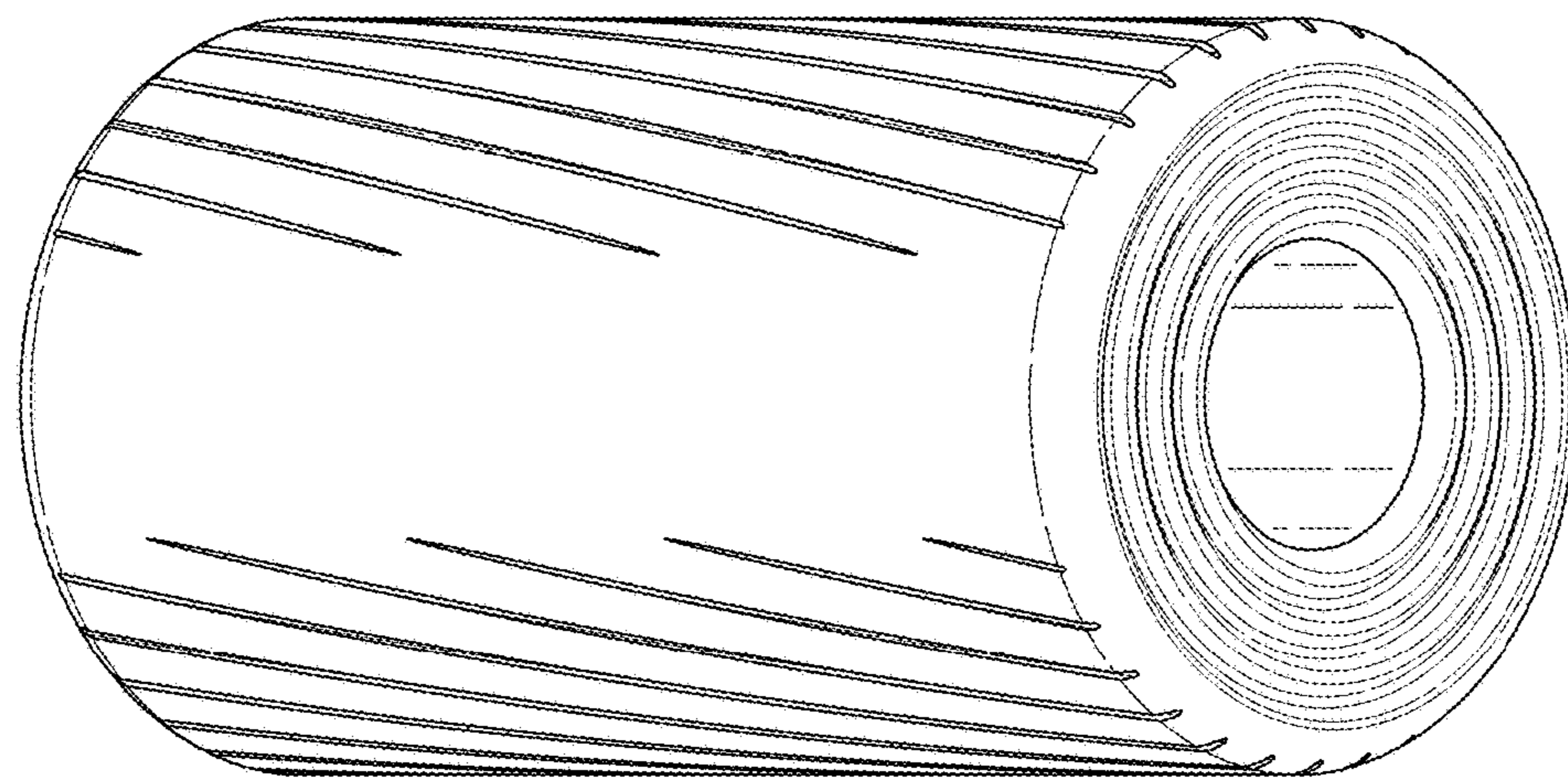


FIG. 1

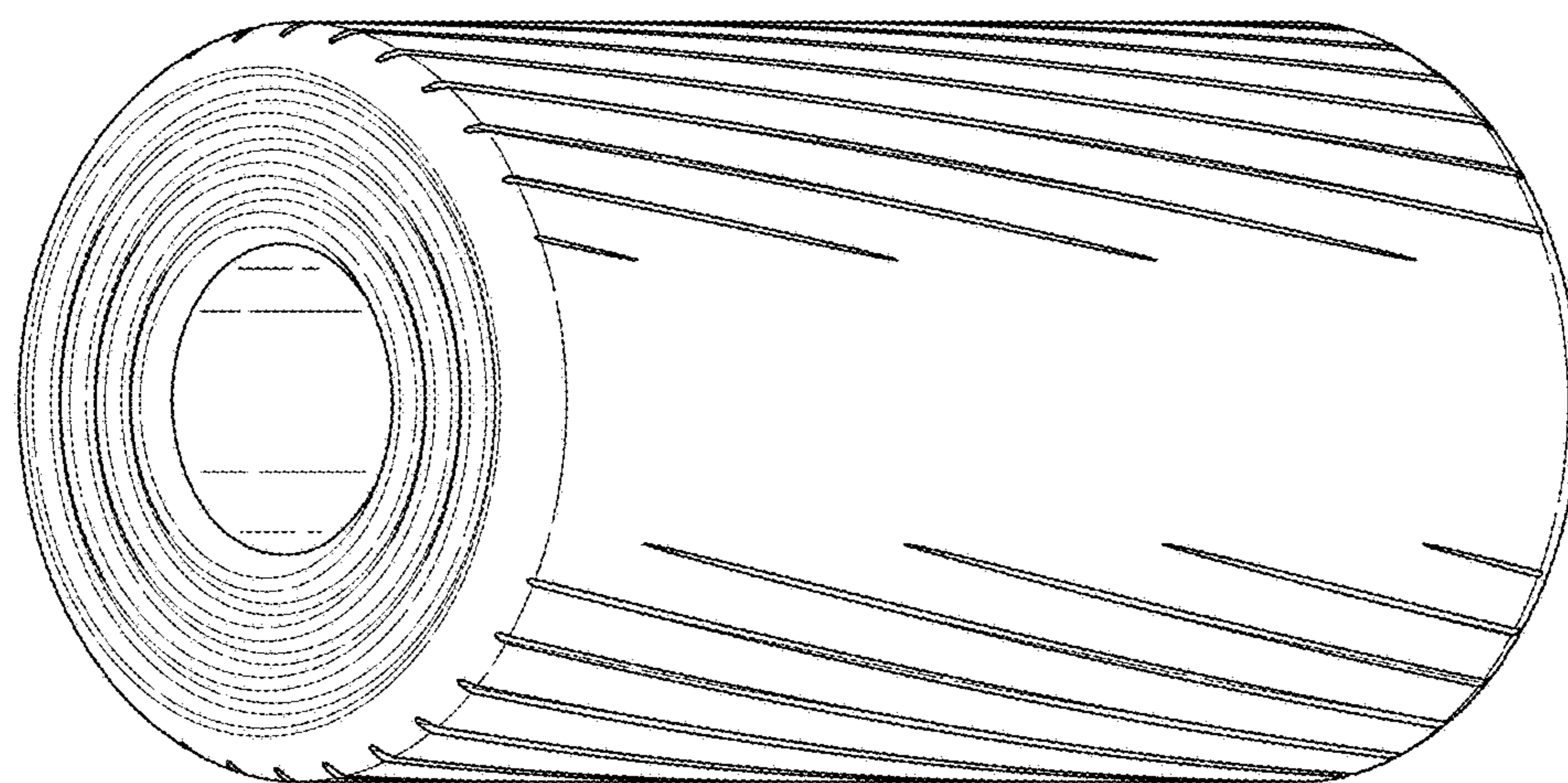


FIG. 2

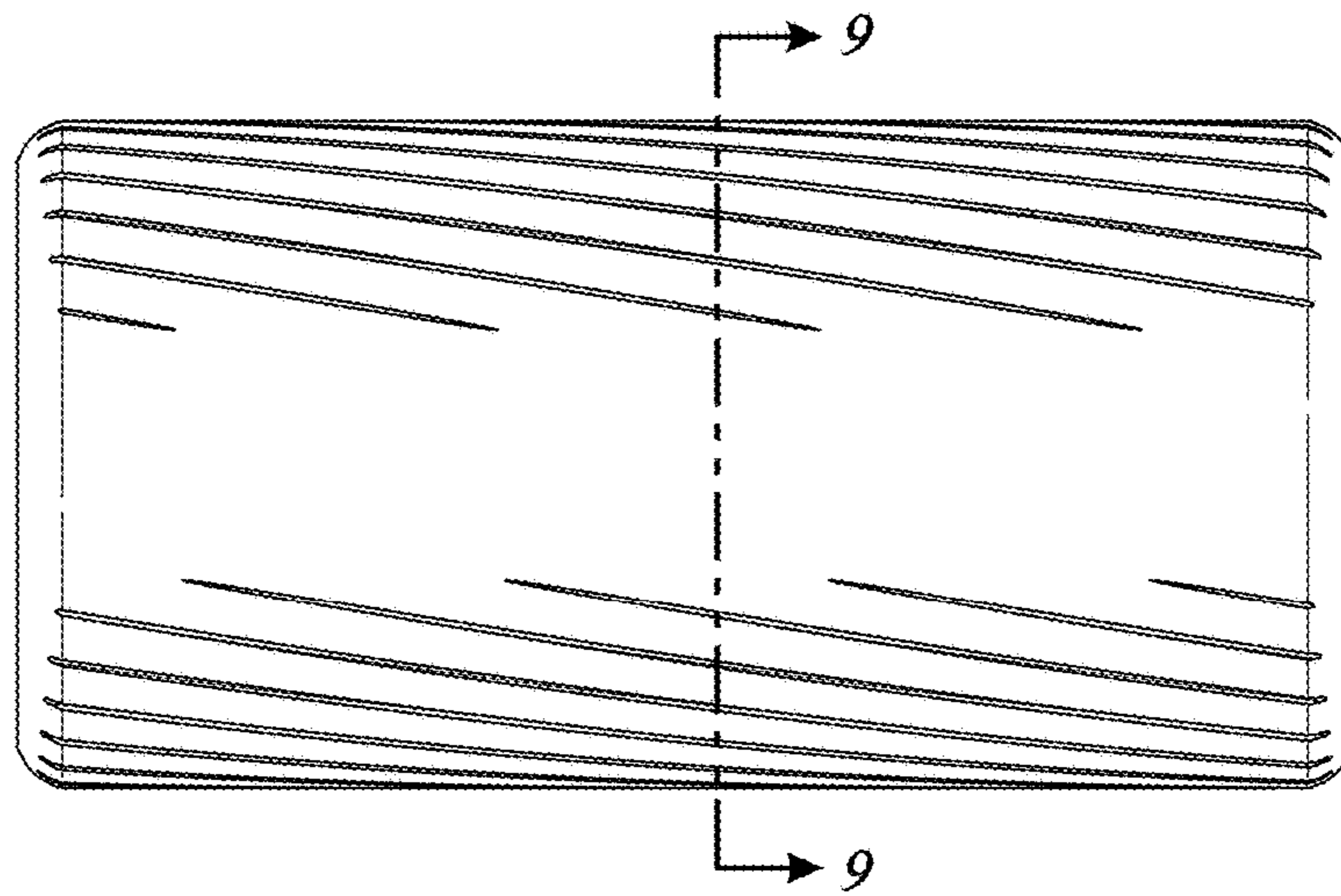


FIG. 3

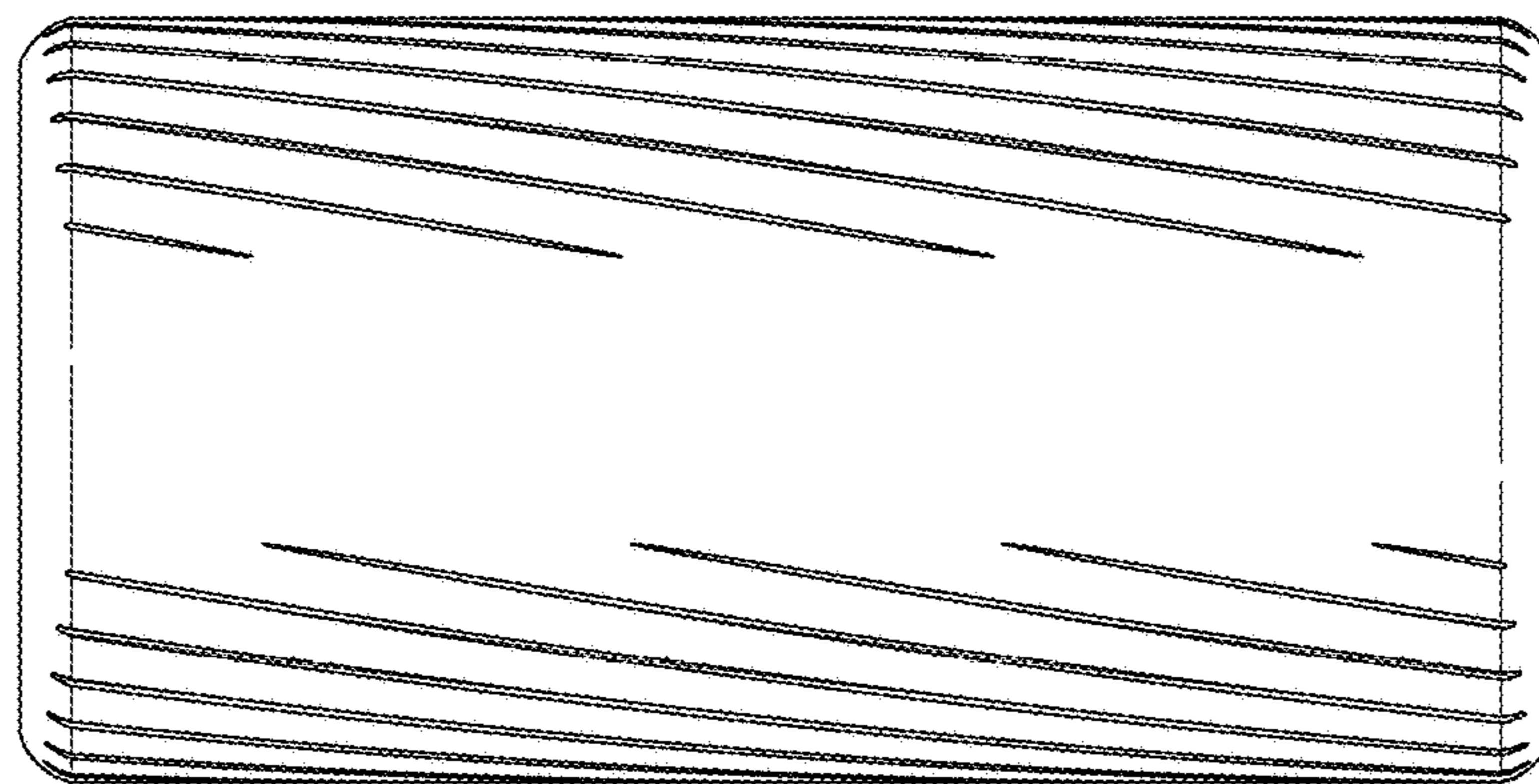


FIG. 4

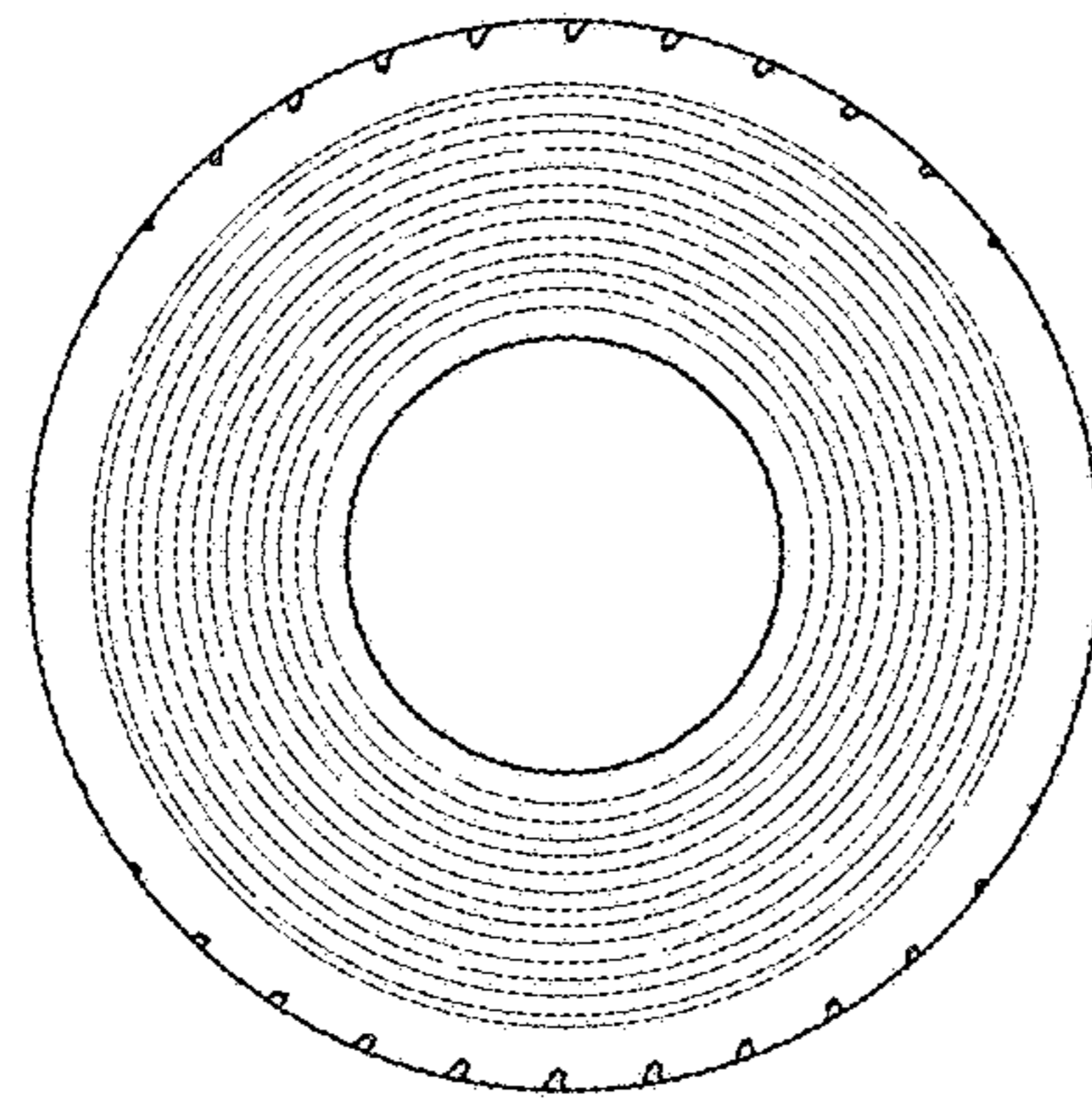


FIG. 5

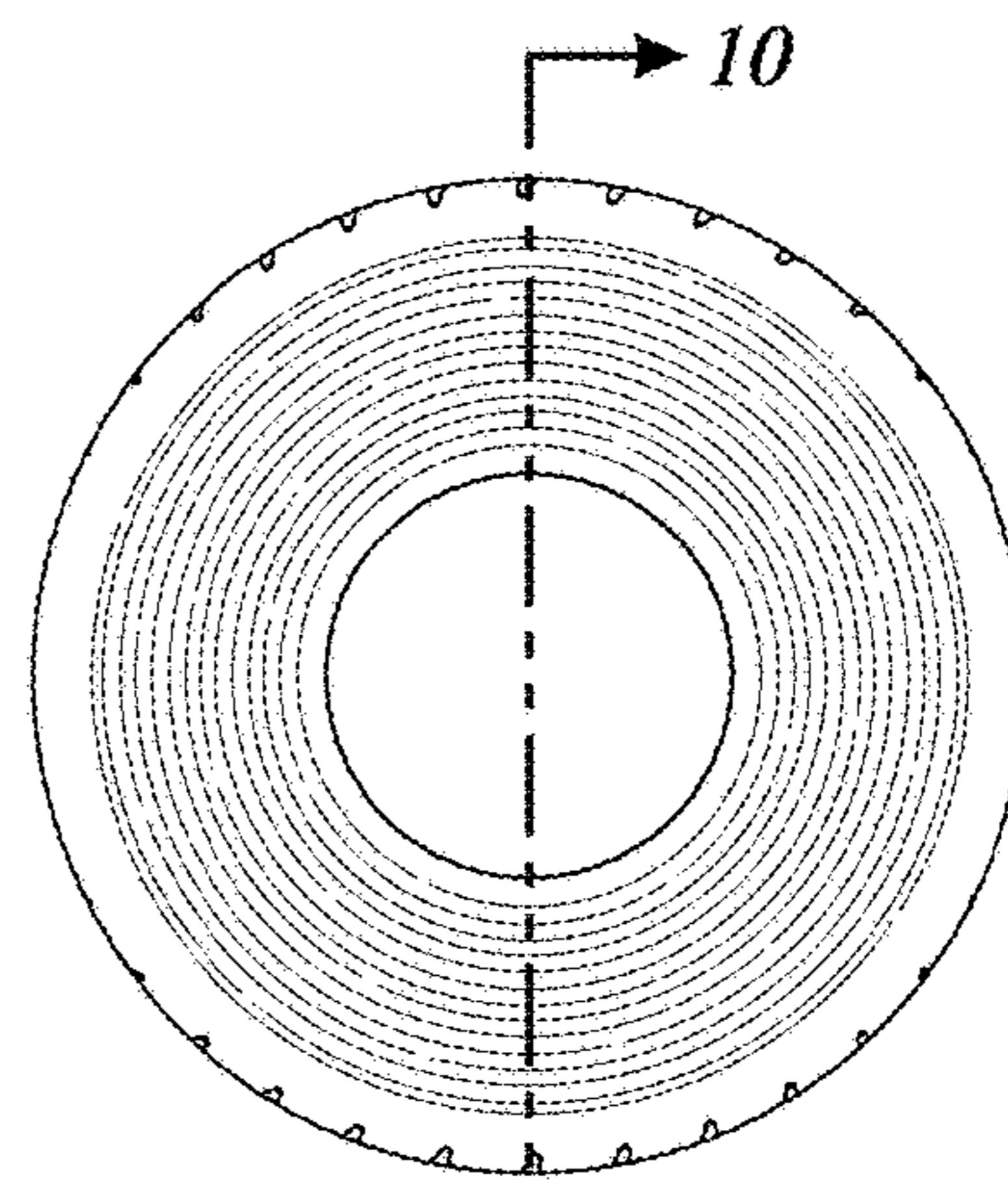


FIG. 6

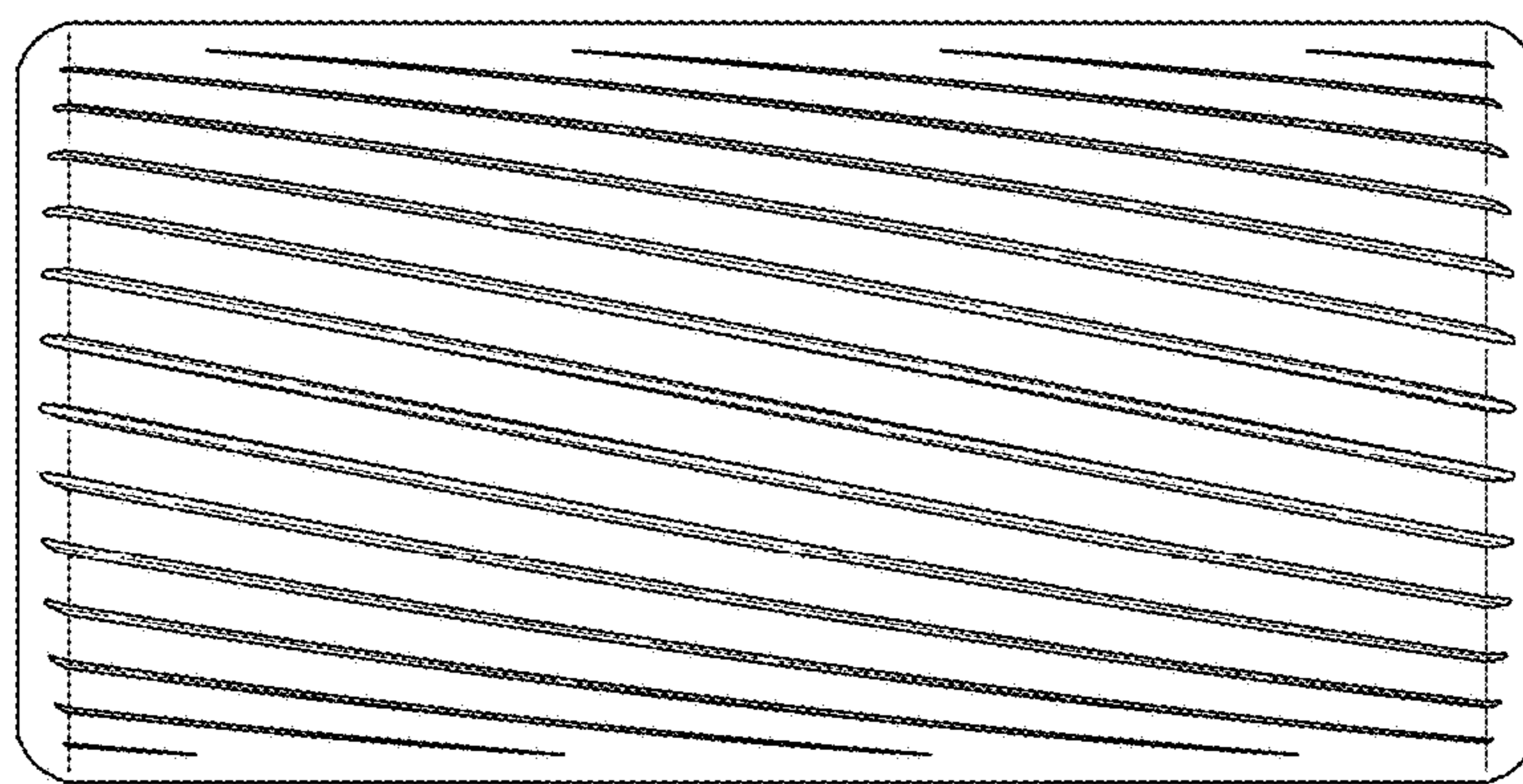


FIG. 7

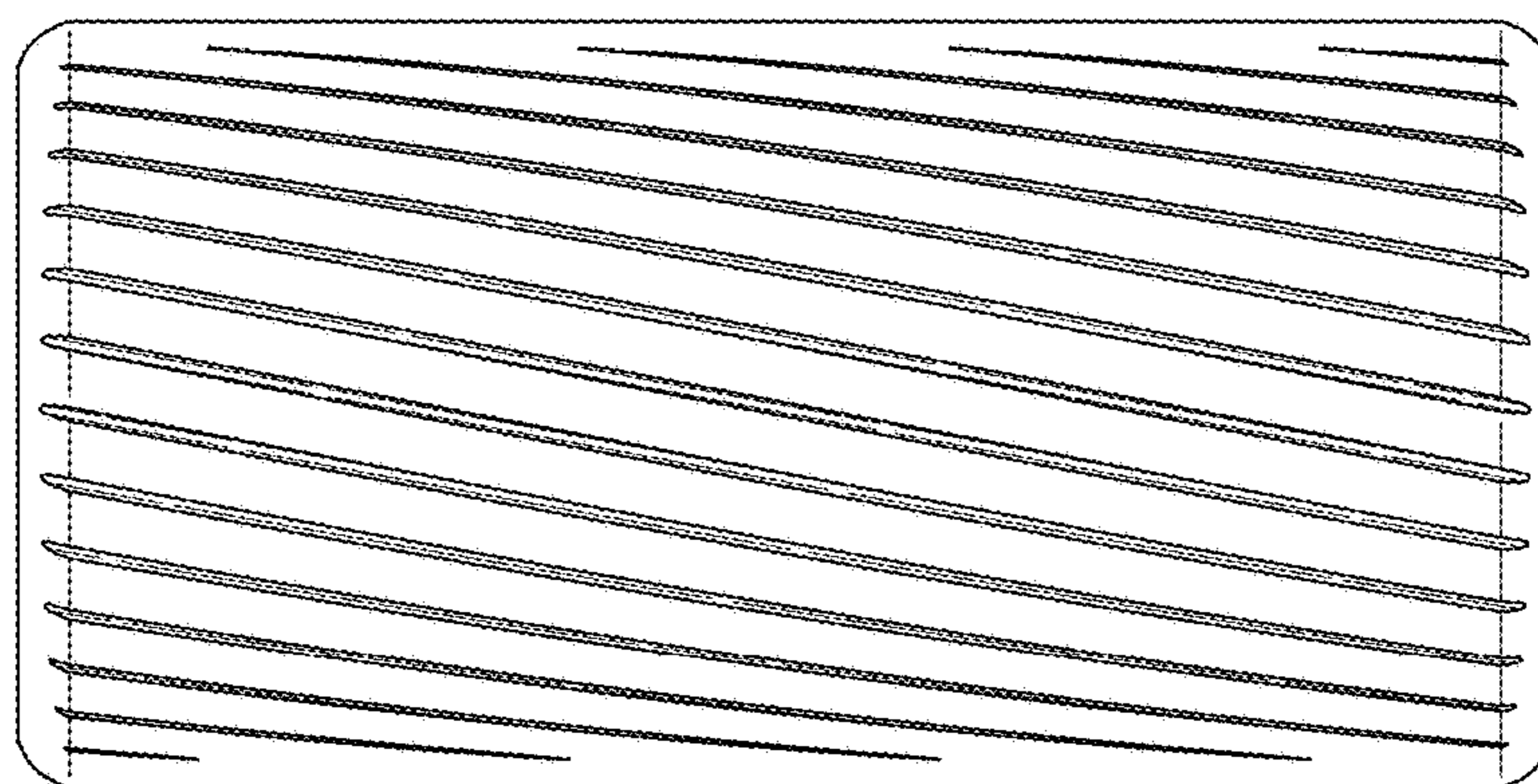


FIG. 8

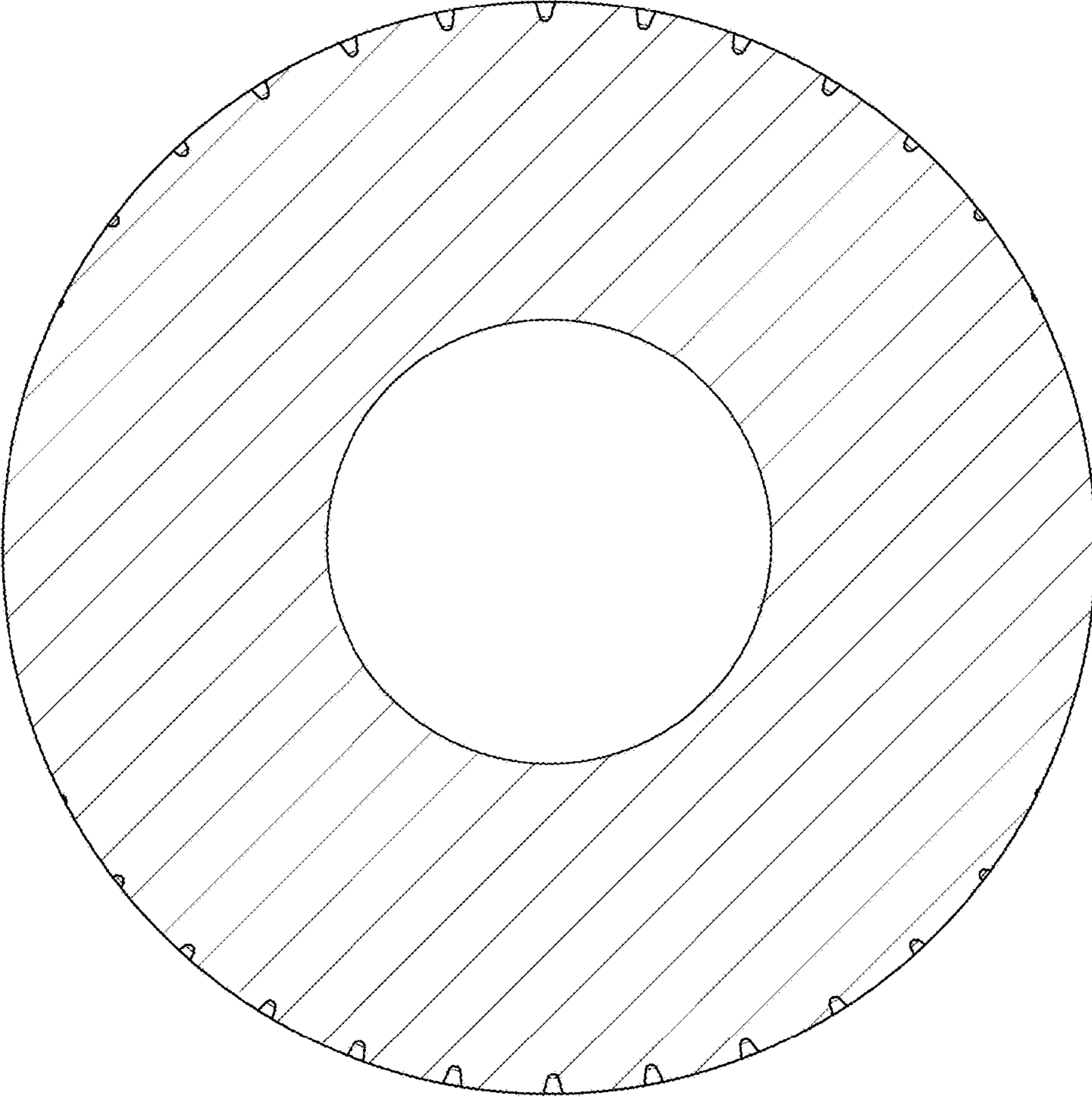


FIG. 9

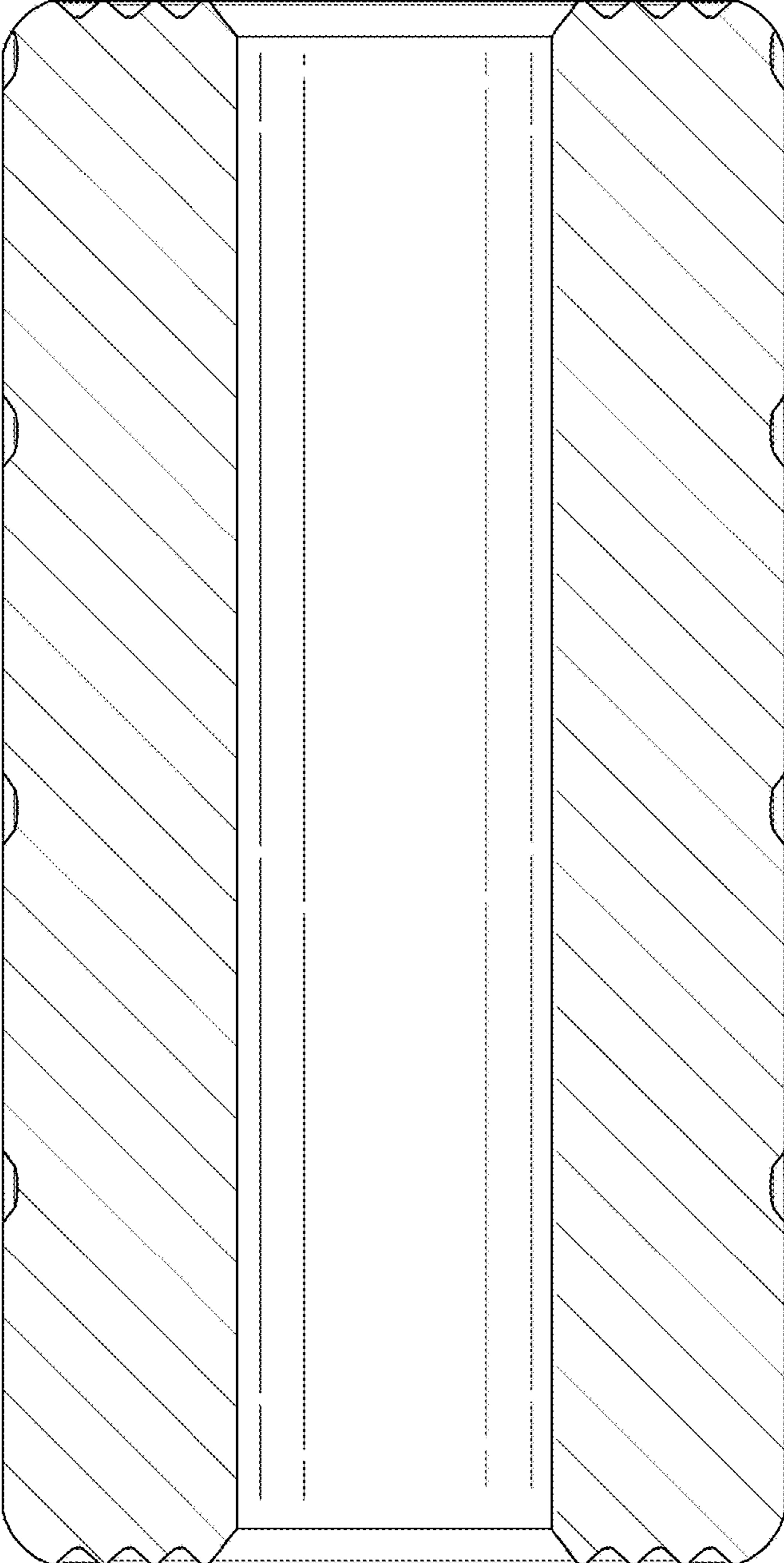


FIG. 10