



US00D843521S

(12) **United States Design Patent**
Haddad et al.

(10) **Patent No.:** **US D843,521 S**
(45) **Date of Patent:** **** Mar. 19, 2019**

- (54) **EXERCISE TIRE FRAME**
- (71) Applicant: **CageUp, LLC**, Basking Ridge, NJ (US)
- (72) Inventors: **Philip Haddad**, Basking Ridge, NJ (US); **Joseph Haddad**, Berkeley Heights, NJ (US)
- (73) Assignee: **CageUp, LLC**, Basking Ridge, NJ (US)
- (**) Term: **15 Years**
- (21) Appl. No.: **29/632,139**
- (22) Filed: **Jan. 5, 2018**

| | | | | |
|-------------------|---------|----------|-------|--------------------------|
| 7,249,798 B2 * | 7/2007 | Saito | | B60N 2/24 280/756 |
| D621,328 S * | 8/2010 | Sistare | | D12/222 |
| 7,828,364 B2 * | 11/2010 | Causey | | B60J 7/102 296/136.12 |
| D758,281 S * | 6/2016 | Galloway | | D12/222 |
| D761,713 S * | 7/2016 | Hensley | | D12/222 |
| D783,503 S * | 4/2017 | Hensley | | D12/222 |
| D810,148 S * | 2/2018 | Loew | | D15/28 |
| 2017/0014668 A1 * | 1/2017 | Haddad | | A63B 21/4035 |

Related U.S. Application Data

- (62) Division of application No. 29/569,602, filed on Jun. 29, 2016.
- (51) **LOC (11) Cl.** **21-02**
- (52) **U.S. Cl.**
USPC **D21/691**
- (58) **Field of Classification Search**
USPC 482/105, 104, 106, 108, 100, 93, 27;
D21/94, 686, 691, 788, 698, 803, 801,
D21/760, 662, 680; D6/552; 441/66, 67,
441/131; D12/222
CPC A63B 21/0442; A63B 21/0552; A63B
21/0557; A63B 21/072; A63B 21/4035;
A63B 21/4037; A63B 21/4043; A63B
23/03525; A63B 23/03541; A63B
23/0355; A63B 23/0458; A63B 23/047;
A63B 5/00; A63B 69/0028
See application file for complete search history.

References Cited

U.S. PATENT DOCUMENTS

- D262,790 S * 1/1982 Bernier D12/222
- 6,189,962 B1 * 2/2001 Henderson B60J 7/11
280/756

OTHER PUBLICATIONS

Ab Coasters Tire Flip by Fitnesszone dated no date given. Found online [Sep. 28, 2017] http://www.fitnesszone.com/product/ab-coasters-tireflip-180.html?source=googleps2&gclid=CjwKCAjwmK3OBRBKEiwAOL6t1Ad1Zq1KxhOwbxRZBGI4ouvLYP3J51YlyLuV_7i6DBOOxgfkukJmHxoChxMQAvD_BwE.*

* cited by examiner

Primary Examiner — Ryan Harvey
(74) *Attorney, Agent, or Firm* — Lerner, David, Littenberg, Krumholz & Mentlik, LLP

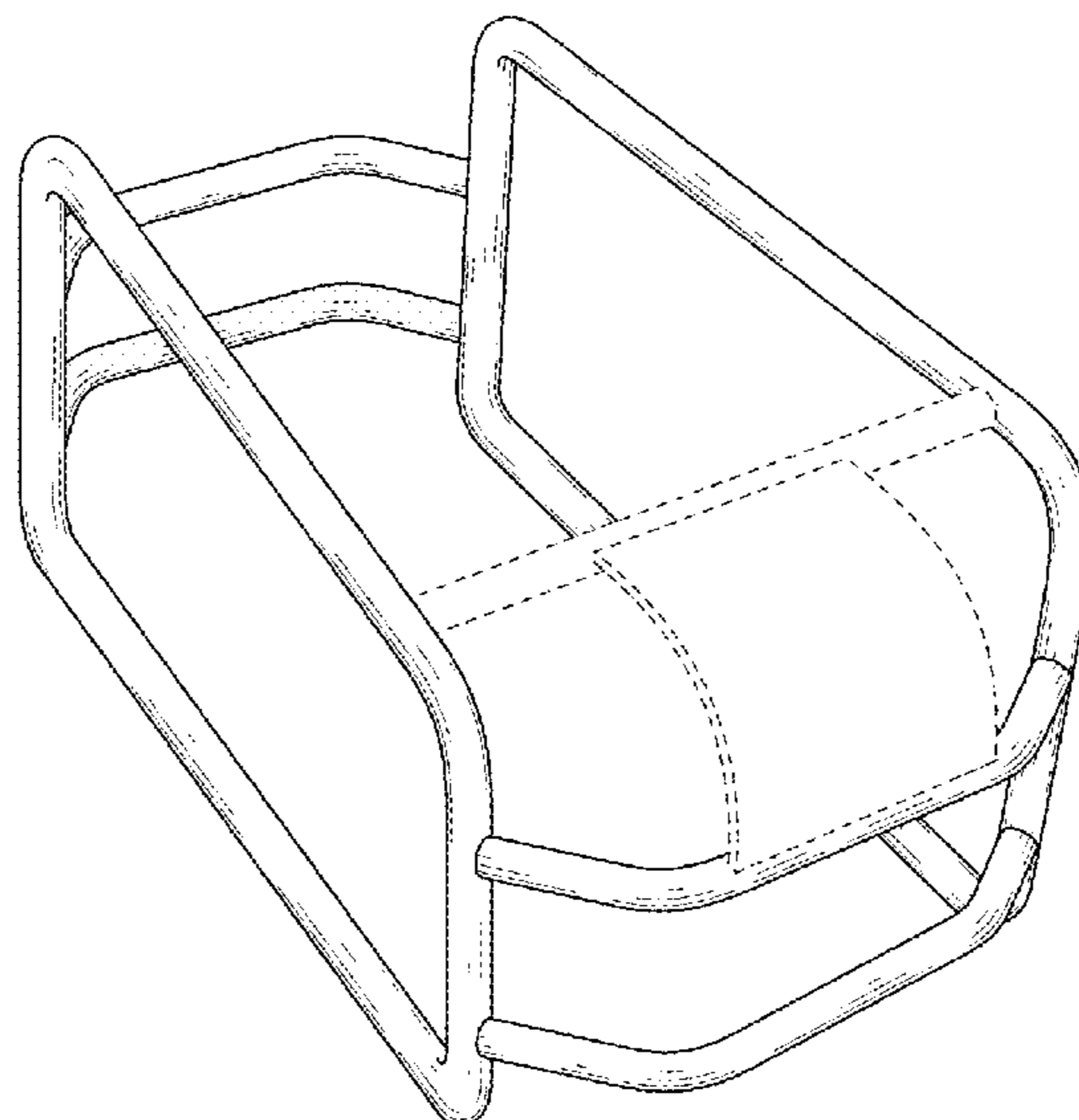
(57) **CLAIM**

The ornamental design for an exercise tire frame, as shown and described.

DESCRIPTION

FIG. 1 is a front top perspective view of an exercise tire frame;
FIG. 2 is a rear perspective view thereof;
FIG. 3 is a top view thereof;
FIG. 4 is a bottom view thereof;
FIG. 5 is a left side elevational view thereof;
FIG. 6 is a right side elevational view thereof;
FIG. 7 is a front elevational view thereof; and,
FIG. 8 is a rear elevational view thereof.
The broken lines illustrate unclaimed structure and form no part of the claimed design.

1 Claim, 3 Drawing Sheets



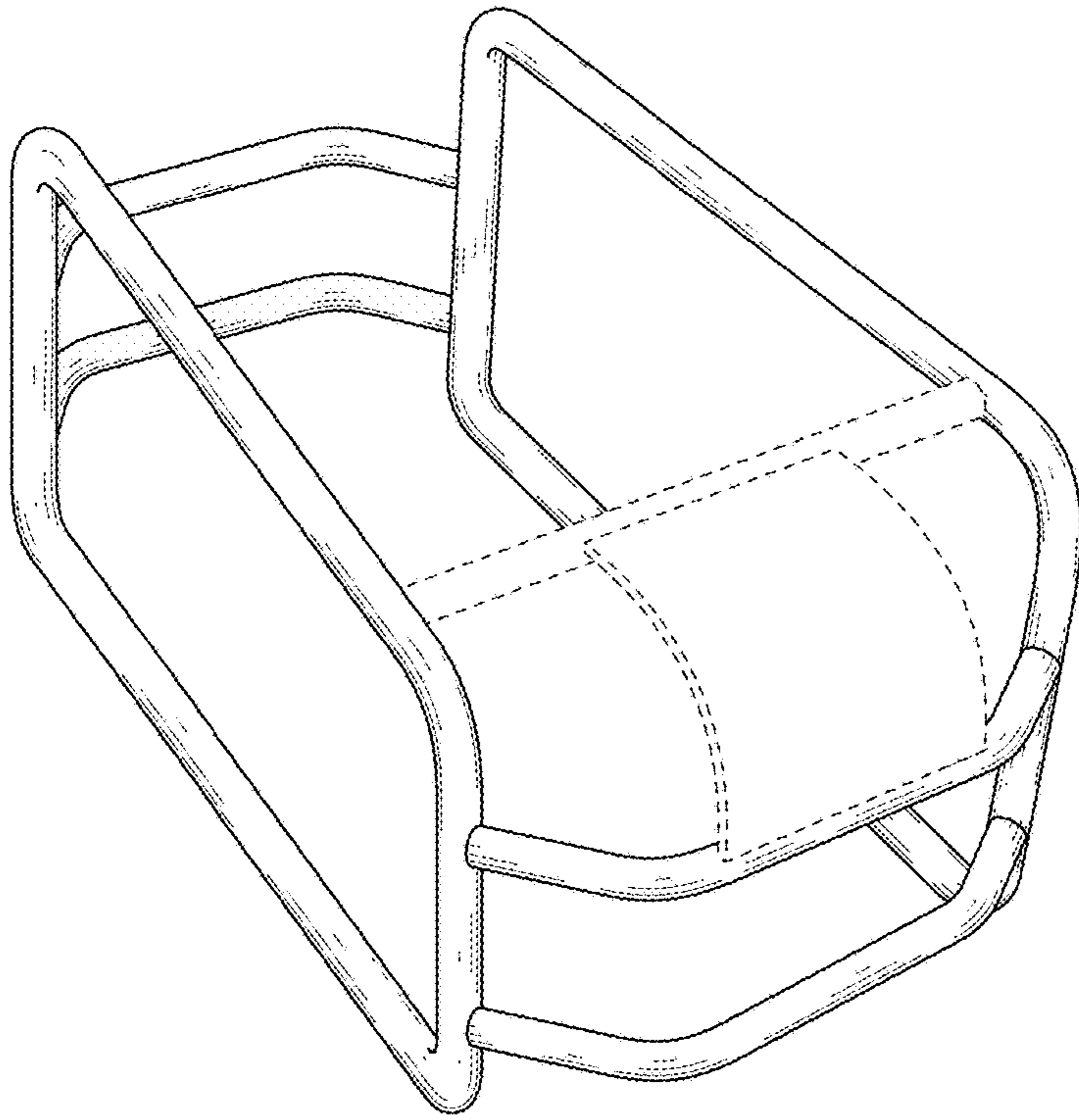


FIG. 1

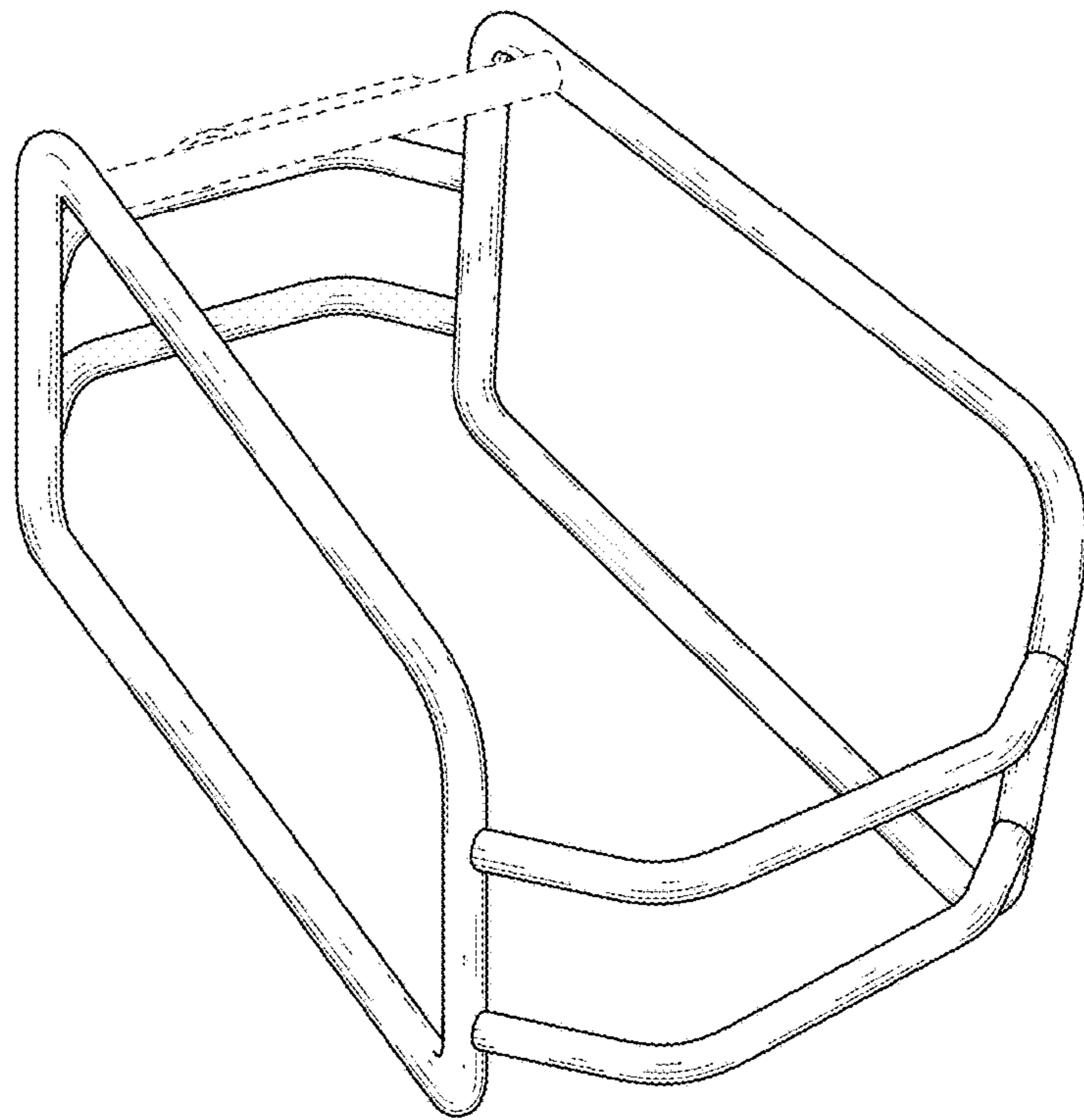


FIG. 2

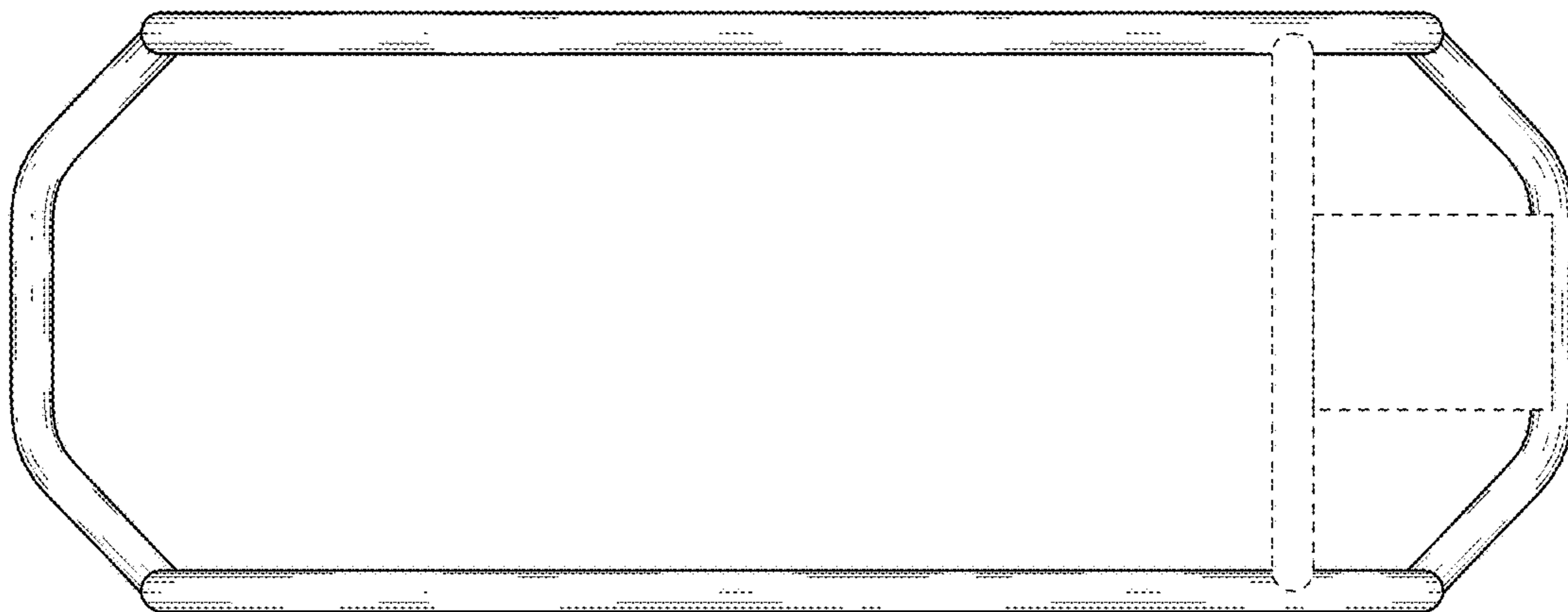


FIG. 3

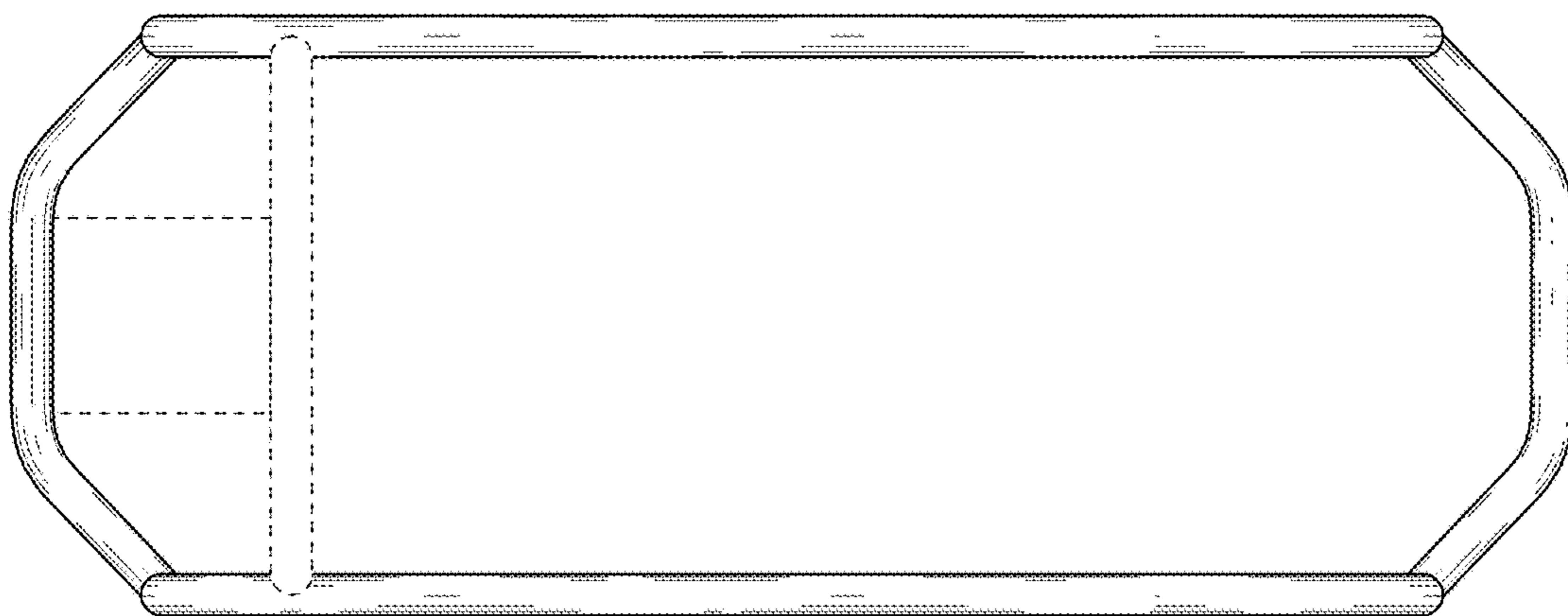


FIG. 4

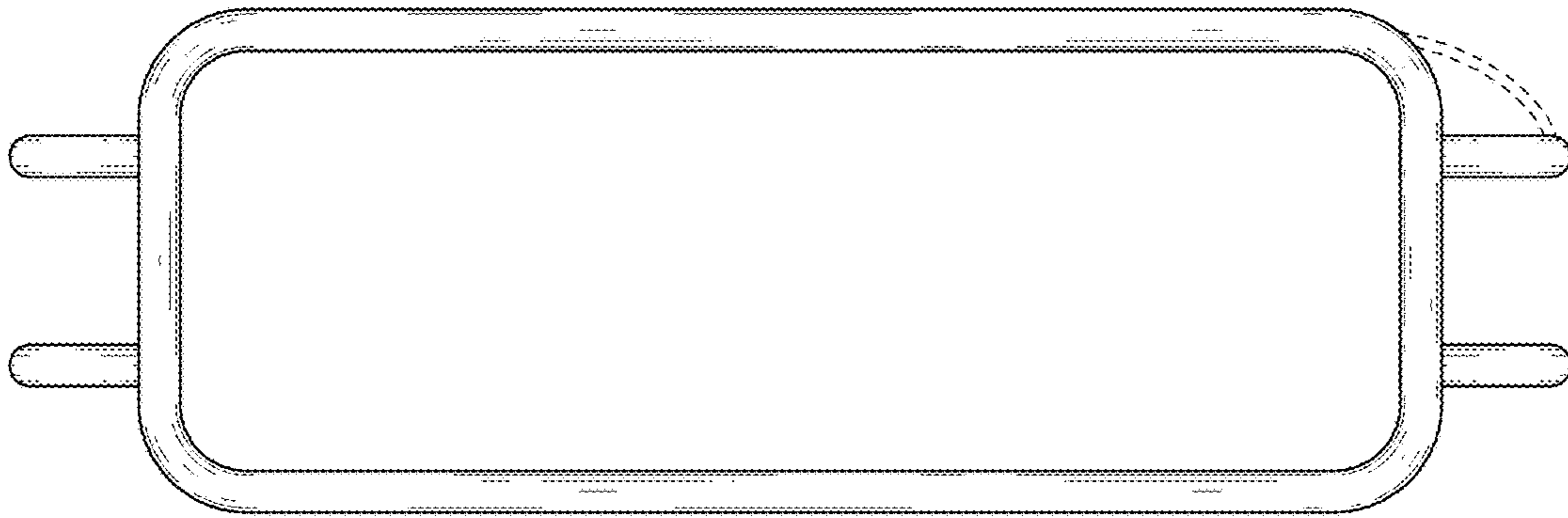


FIG. 5

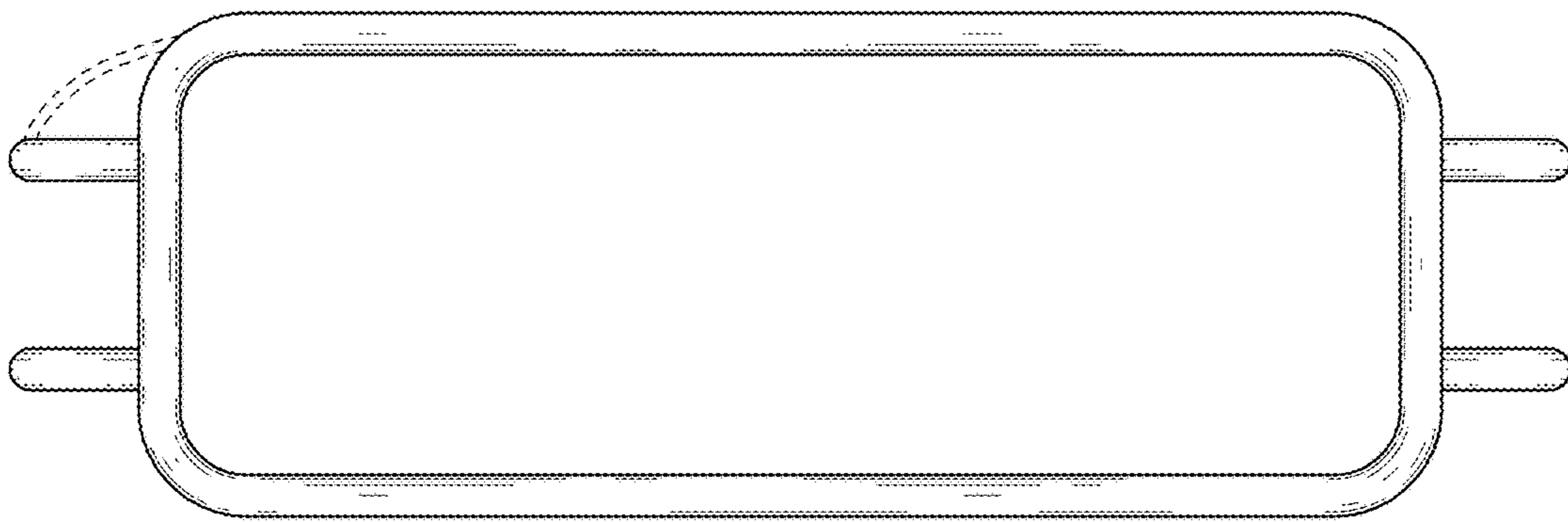


FIG. 6

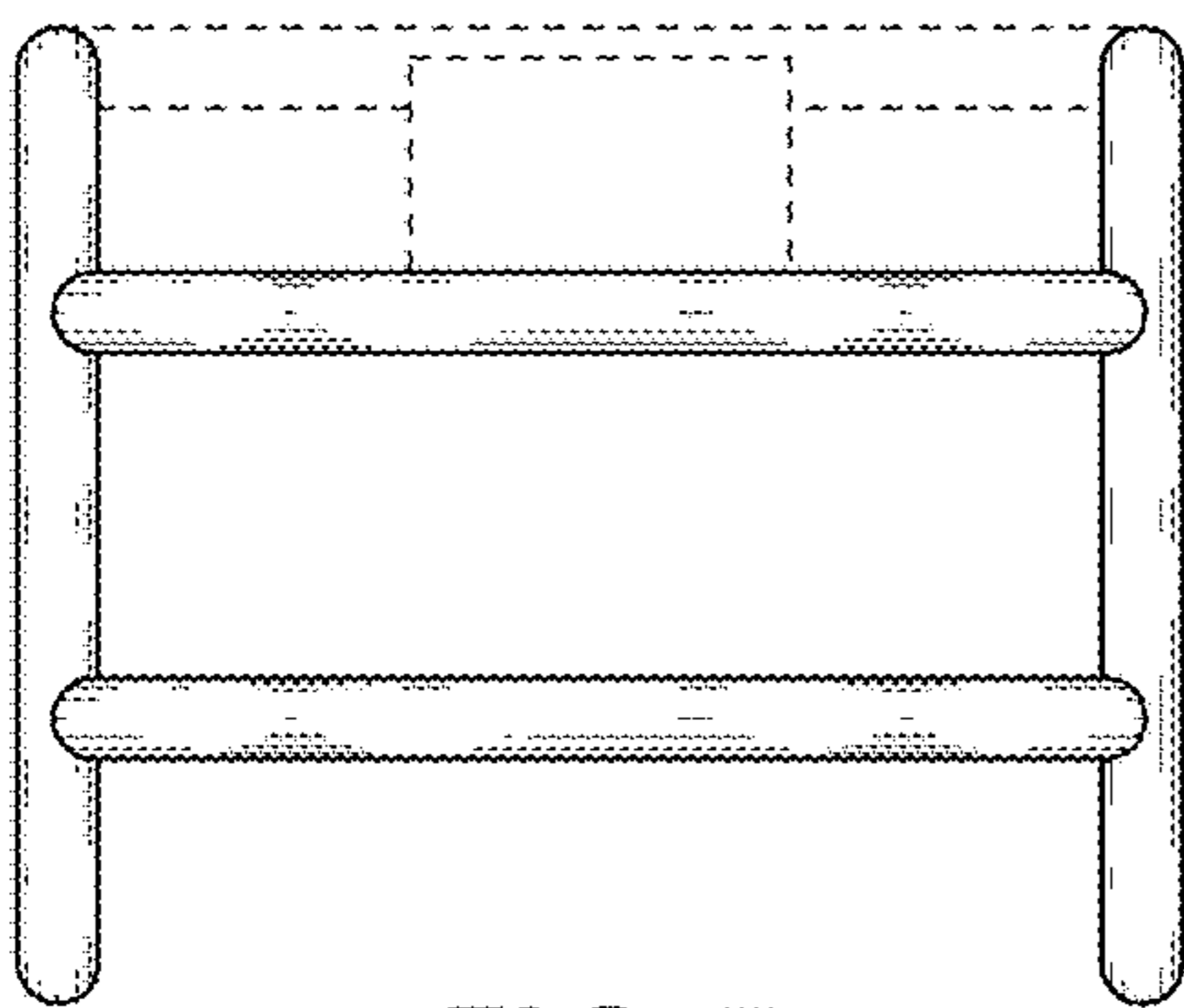


FIG. 7

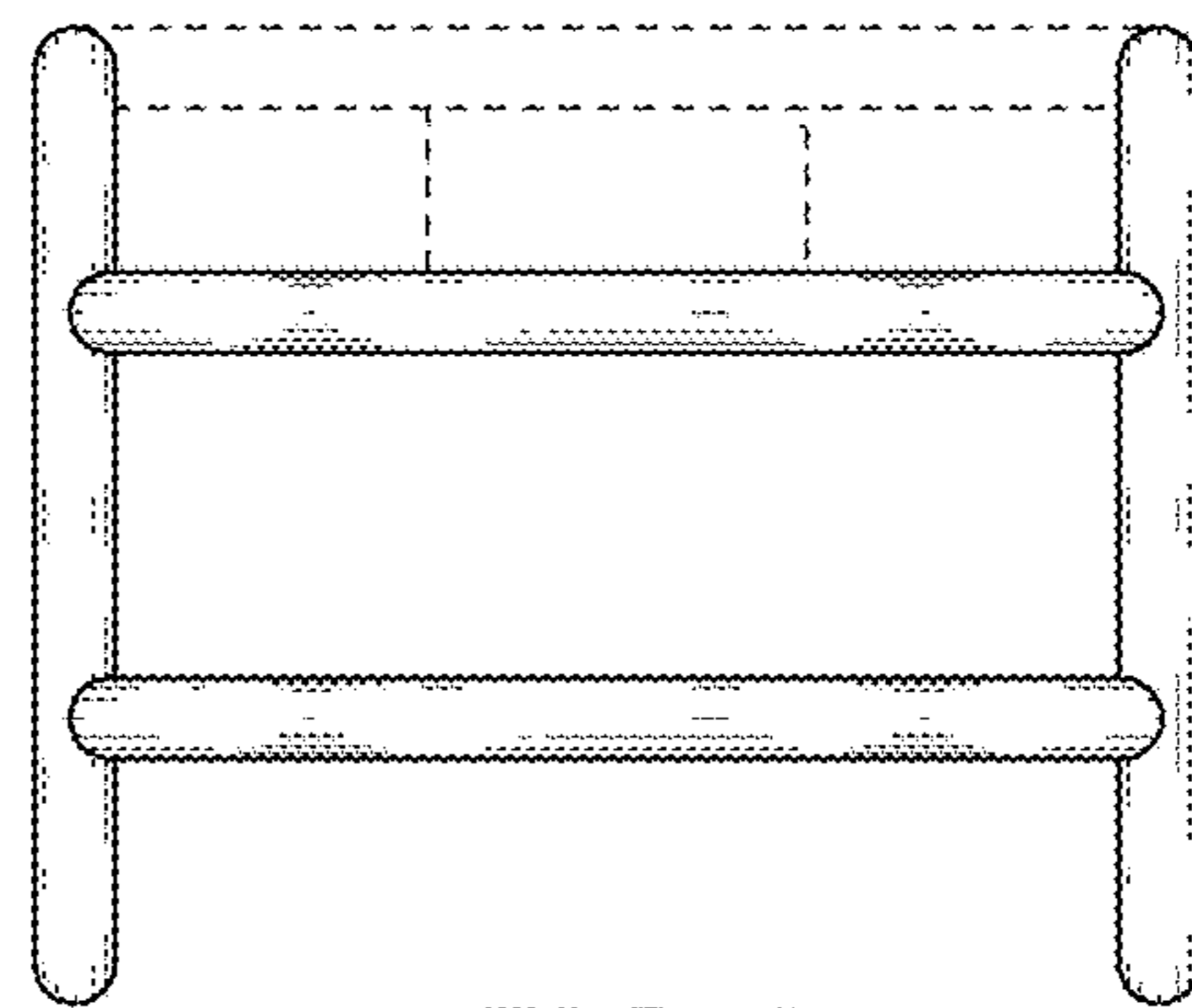


FIG. 8