



US00D843520S

(12) **United States Design Patent**
Thompson

(10) **Patent No.:** **US D843,520 S**
(45) **Date of Patent:** **** Mar. 19, 2019**

(54) **EXERCISE APPARATUS FOR INFANTS AND TODDLERS**

(71) Applicant: **Bradley Anthony Thompson,**
Mandurah (AU)

(72) Inventor: **Bradley Anthony Thompson,**
Mandurah (AU)

(**) Term: **15 Years**

(21) Appl. No.: **29/601,054**

(22) Filed: **Apr. 18, 2017**

(30) **Foreign Application Priority Data**

Oct. 18, 2016 (AU) 201615895

(51) **LOC (11) Cl.** **21-02**

(52) **U.S. Cl.**
USPC **D21/691**

(58) **Field of Classification Search**
USPC D21/686, 662, 679, 691, 680, 681, 682,
D21/684, 685, 688, 800, 692, 839;
D24/188, 194; D6/349, 601; 482/95, 93,
482/91, 46, 44, 41, 40, 38, 12, 148, 145,
482/144, 142, 141, 139, 132, 128, 121,
482/112, 110, 109, 108, 106
CPC ... A63B 23/1218; A63B 1/00; A63B 21/4035;
A63B 21/00047; A63B 23/1236; A63B
21/1636; A63B 21/1645; A63B 21/068;
A63B 23/12; A63B 21/0724; A63B
21/1627; A63B 21/169
See application file for complete search history.

(56) **References Cited**

U.S. PATENT DOCUMENTS

277,399 A * 5/1883 Worthington A63B 3/00
482/41
1,495,536 A * 5/1924 Smith A63B 1/00
482/38

2,817,347 A * 12/1957 Hilt, Sr. A61H 3/00
135/65
2,817,522 A * 12/1957 Margulies A63B 17/00
482/145
3,195,845 A * 7/1965 Conti A63B 7/00
211/182
D208,643 S * 9/1967 Gervais D21/823
3,944,219 A * 3/1976 Lopresti A63B 1/00
482/38
D269,691 S * 7/1983 Ornstein D21/691
4,406,450 A * 9/1983 Regan A63B 3/00
482/41
4,609,193 A * 9/1986 Paris A61H 1/0218
482/142
D301,361 S * 5/1989 Harlan D21/691
5,135,459 A * 8/1992 Perry, Jr. A63B 21/00047
482/144
5,290,209 A * 3/1994 Wilkinson A63B 21/00047
482/121

(Continued)

Primary Examiner — Ryan Harvey

(74) *Attorney, Agent, or Firm* — Winstead PC

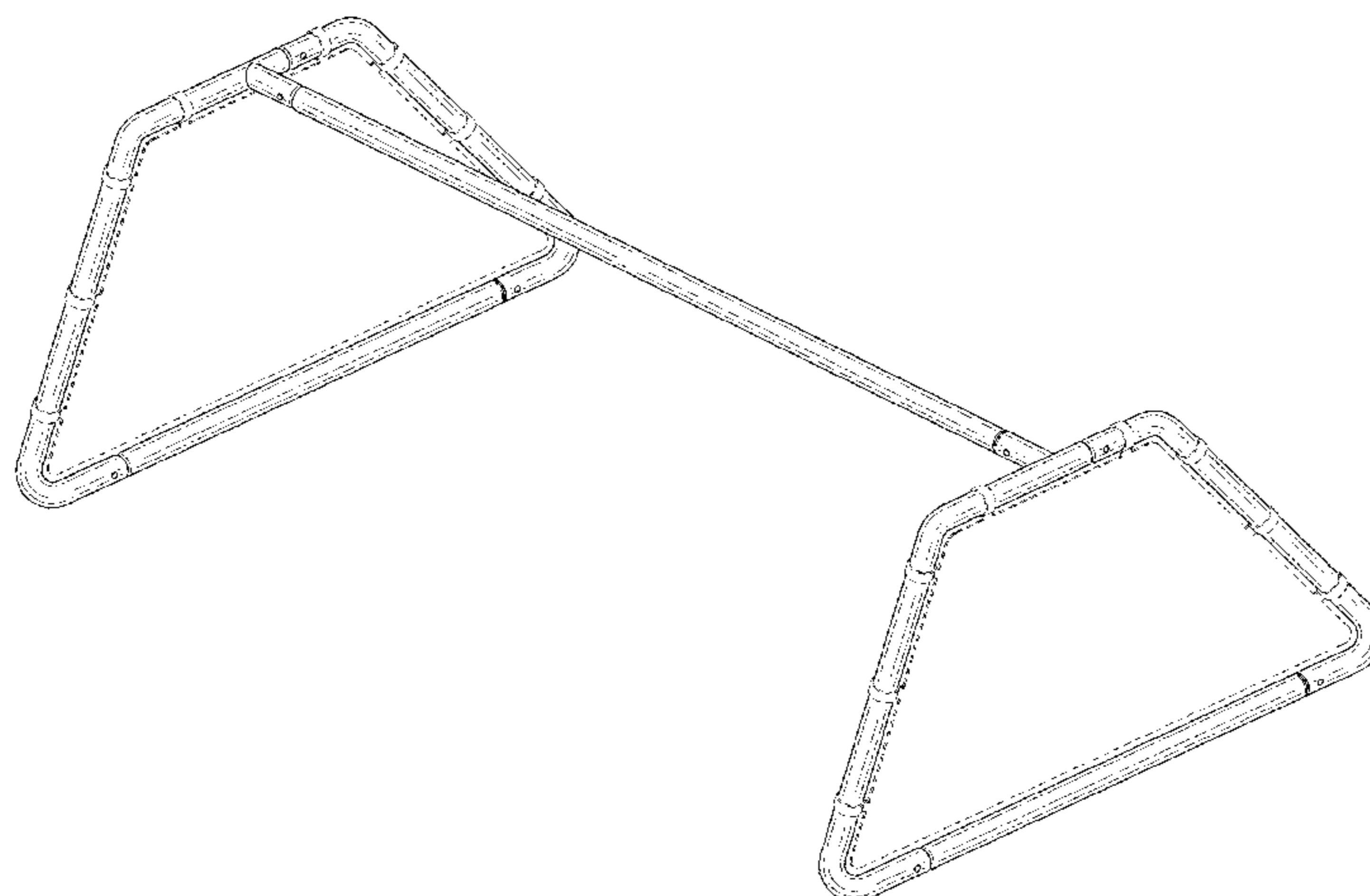
(57) **CLAIM**

The ornamental design for an exercise apparatus for infants and toddlers, as shown and described.

DESCRIPTION

FIG. 1 is a perspective view of an exercise apparatus for infants and toddlers showing my new design;
FIG. 2 is a front view thereof;
FIG. 3 is a back view thereof;
FIG. 4 is a left side view thereof;
FIG. 5 is a right side view thereof;
FIG. 6 is a top view thereof; and,
FIG. 7 is a bottom view thereof.
Those portions of the figures that are presented in broken lines merely illustrate the environment of the design and are not part of the claimed design.

1 Claim, 5 Drawing Sheets



(56)

References Cited

U.S. PATENT DOCUMENTS

D371,027 S * 6/1996 Skurman D6/709.2
 D371,586 S * 7/1996 Snyder D21/691
 5,752,903 A * 5/1998 Chang A63B 21/00047
 482/140
 5,839,540 A * 11/1998 Russell B25H 1/06
 182/153
 D410,050 S * 5/1999 Matte D21/691
 D414,564 S * 9/1999 Goldwitz D25/61
 D423,832 S * 5/2000 Kane D6/709.21
 6,165,112 A * 12/2000 Morris A63B 21/0552
 482/129
 D487,124 S * 2/2004 Toniolo D21/691
 D525,668 S * 7/2006 Payne D21/691
 D536,753 S * 2/2007 Rongo D21/685
 D562,016 S * 2/2008 Tomasch D6/349
 D566,800 S * 4/2008 St. Jules D21/691
 7,367,928 B2 * 5/2008 Storch A63B 21/00047
 482/141
 D580,998 S * 11/2008 Lin D21/686
 7,476,187 B2 * 1/2009 Corte A63B 1/00
 482/141
 D593,169 S * 5/2009 Storch D21/686
 7,651,449 B1 * 1/2010 Balentine A63B 21/00047
 248/163.1
 7,658,702 B1 * 2/2010 Harms A63B 23/1281
 482/141
 7,662,067 B2 * 2/2010 Payne A63B 21/00047
 482/140
 D613,804 S * 4/2010 Perez D21/691
 7,699,763 B2 * 4/2010 Perry, Jr. A61H 1/0218
 482/142
 7,713,175 B2 * 5/2010 Monaghan A47D 13/04
 482/35
 D617,400 S * 6/2010 Hetzel D21/691
 D631,560 S * 1/2011 Merritt, Sr. D25/67
 D638,141 S * 5/2011 Busschaert D25/67
 8,075,425 B2 * 12/2011 Conwright A63B 69/0071
 473/422

8,079,915 B2 * 12/2011 Spencer A63G 9/00
 472/118
 8,088,052 B1 * 1/2012 Sprague A63B 21/0004
 482/131
 8,197,392 B2 * 6/2012 Silverman A63B 7/00
 482/904
 D667,904 S * 9/2012 DeFrancisci D21/691
 D683,415 S * 5/2013 Yurianto D21/839
 D686,287 S * 7/2013 Boatwright D21/686
 8,491,450 B2 * 7/2013 Perry, Jr. A61H 1/0218
 482/142
 D697,098 S * 1/2014 Hare D15/138
 D701,581 S * 3/2014 Heitzman D21/686
 D703,773 S * 4/2014 Henry D21/691
 8,783,473 B1 * 7/2014 Schosek A47G 25/0664
 211/198
 9,421,411 B2 * 8/2016 Stallman A63B 21/00047
 9,439,824 B1 * 9/2016 Shimmel, Sr. A61H 1/0292
 D786,587 S * 5/2017 Udagawa D6/672
 9,675,829 B1 * 6/2017 Katz A63B 1/00
 D806,188 S * 12/2017 Petek D21/686
 D816,173 S * 4/2018 Jackson D21/691
 2005/0130806 A1 * 6/2005 Lopez A63B 21/00047
 482/38
 2005/0209054 A1 * 9/2005 Thomas Lebert A63B 1/00
 482/41
 2009/0124471 A1 * 5/2009 Storch A63B 21/00047
 482/141
 2010/0221974 A1 * 9/2010 Monaghan A47D 11/00
 446/75
 2012/0040811 A1 * 2/2012 DeTore A63B 21/00047
 482/141
 2013/0237394 A1 * 9/2013 Fowler A63B 17/00
 482/142
 2015/0126335 A1 * 5/2015 Gilson A63B 1/00
 482/38
 2016/0074693 A1 * 3/2016 Henry A63B 21/068
 482/141
 2017/0072260 A1 * 3/2017 Jackson A63B 23/1218
 2017/0080276 A1 * 3/2017 Lopes Rodrigues
 A63B 21/4035

* cited by examiner

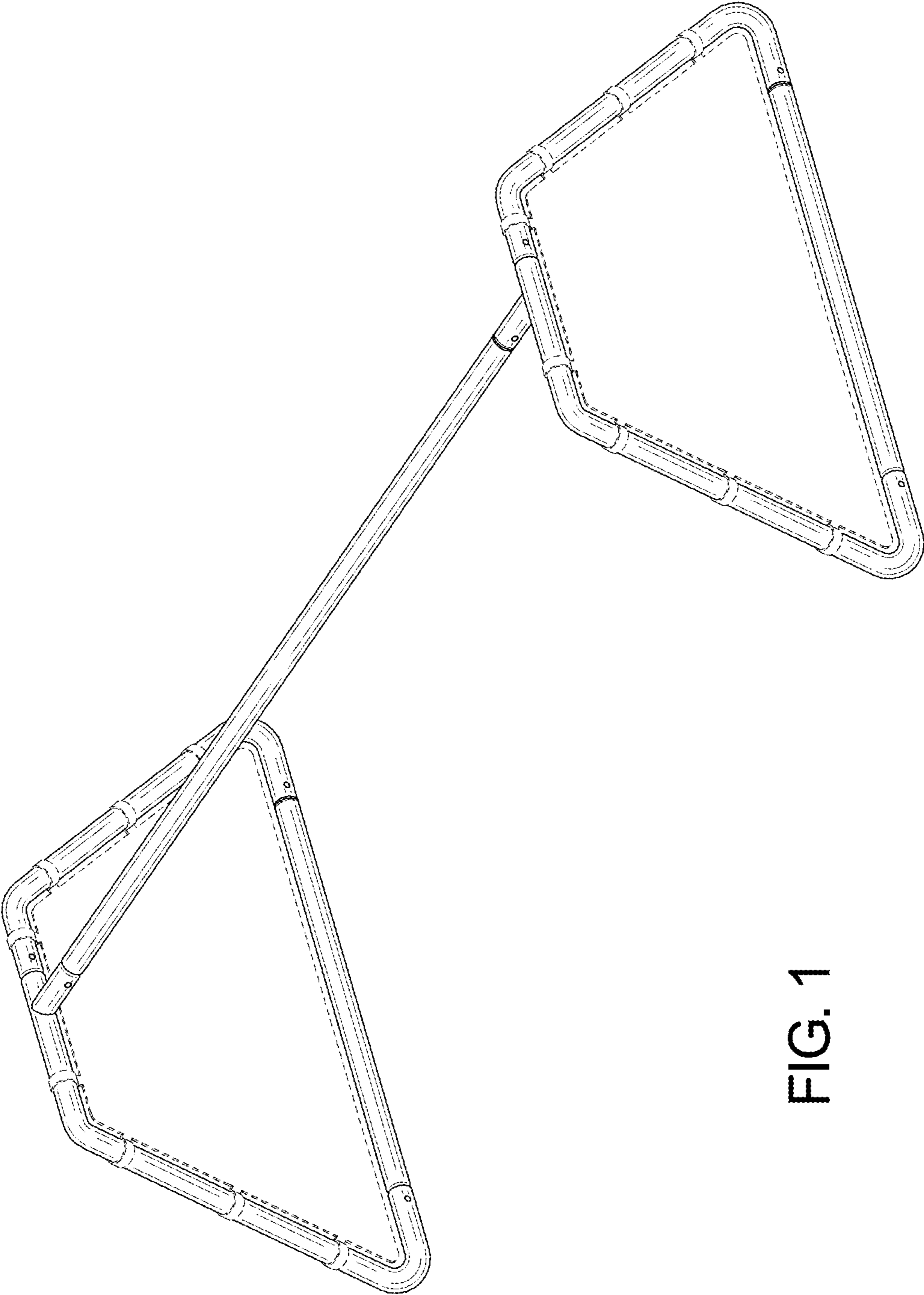


FIG. 1

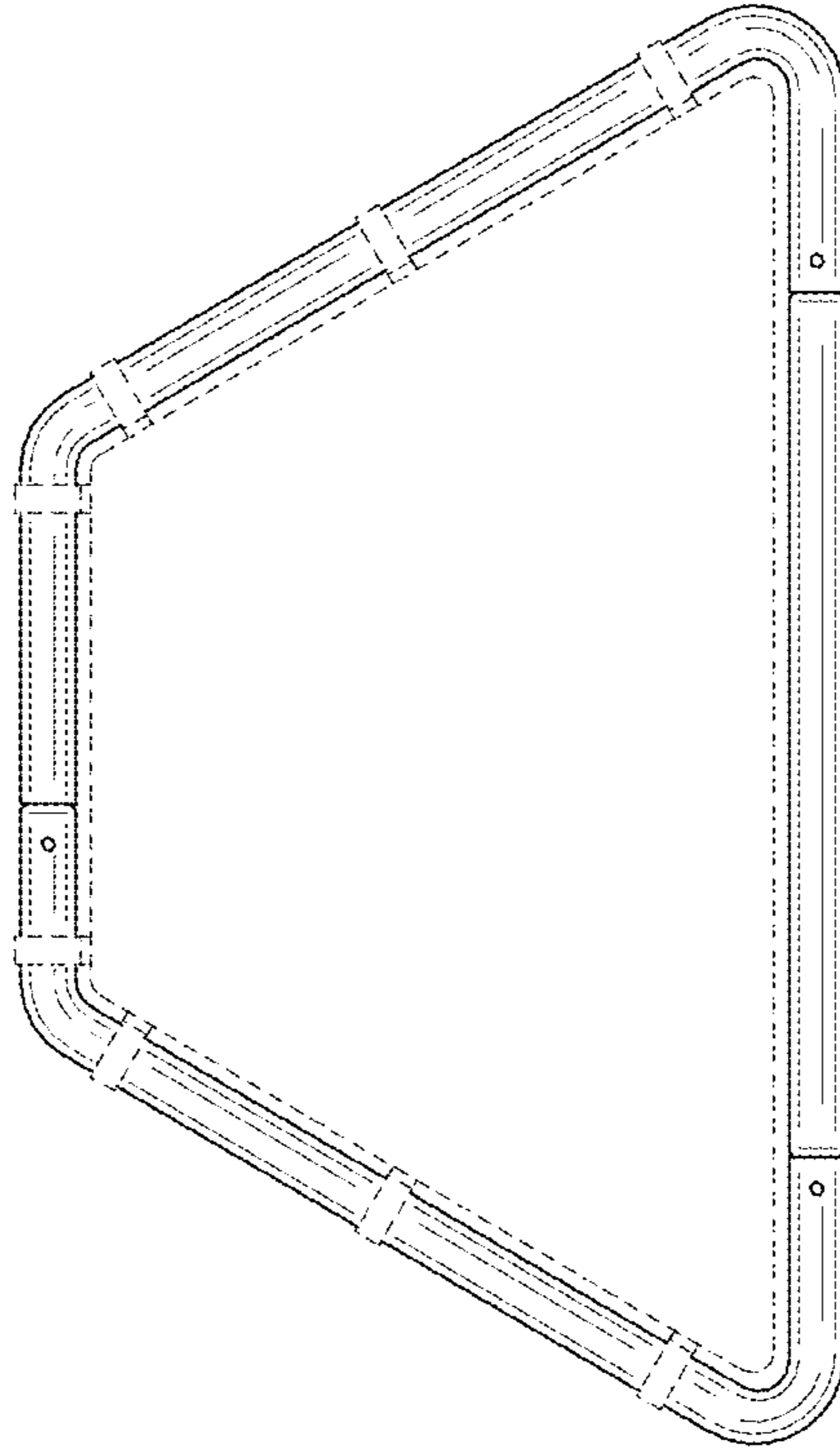


FIG. 3

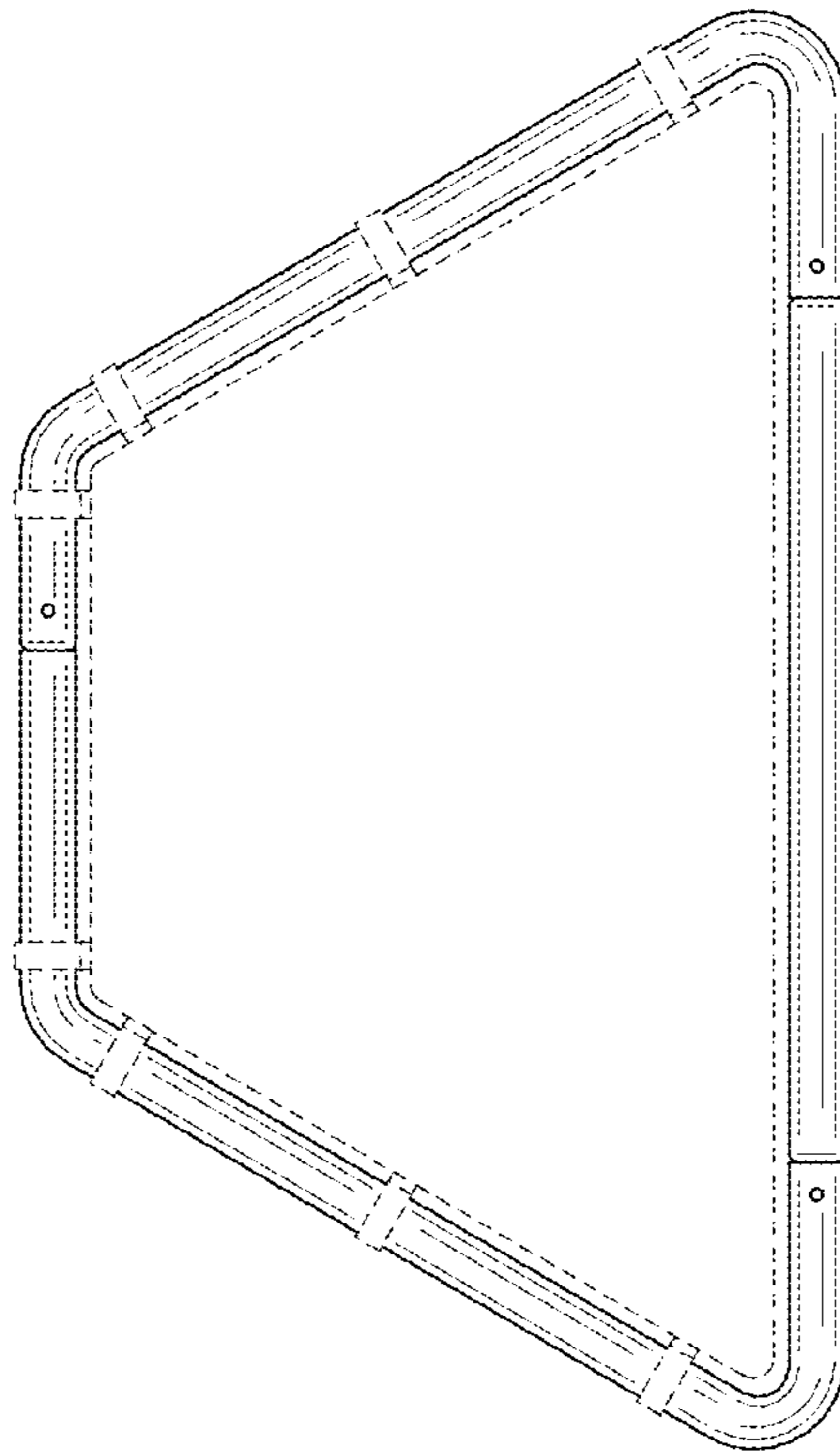


FIG. 2

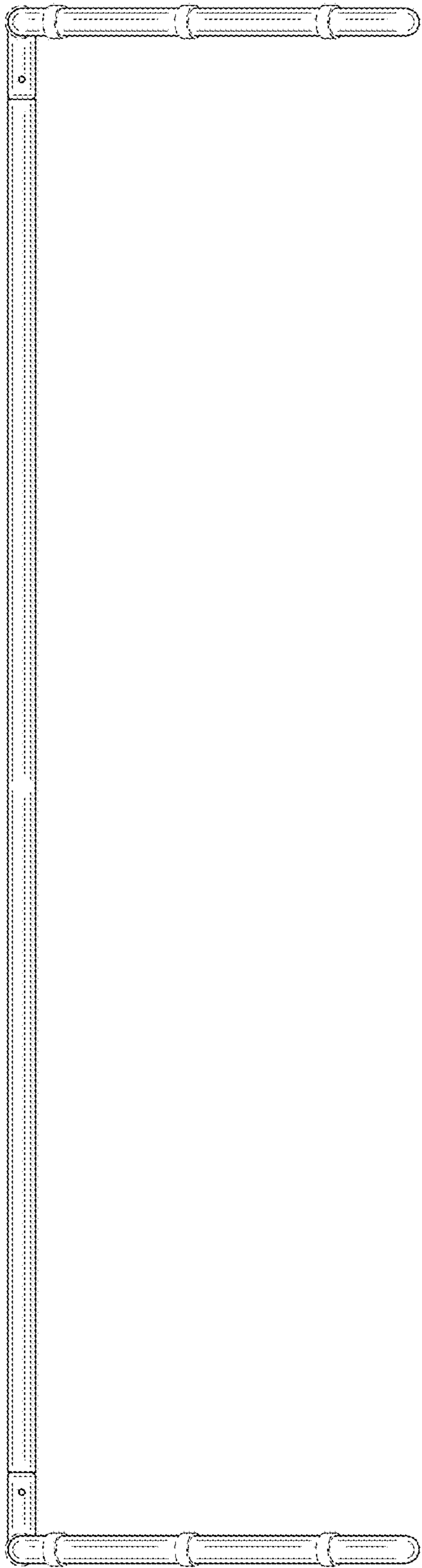


FIG. 4

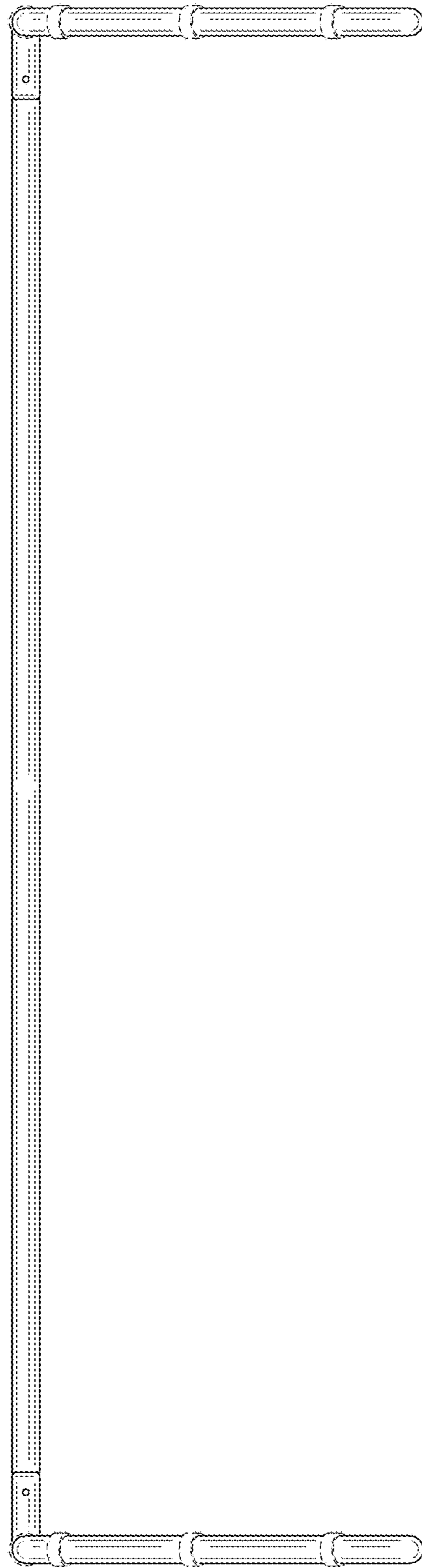


FIG. 5

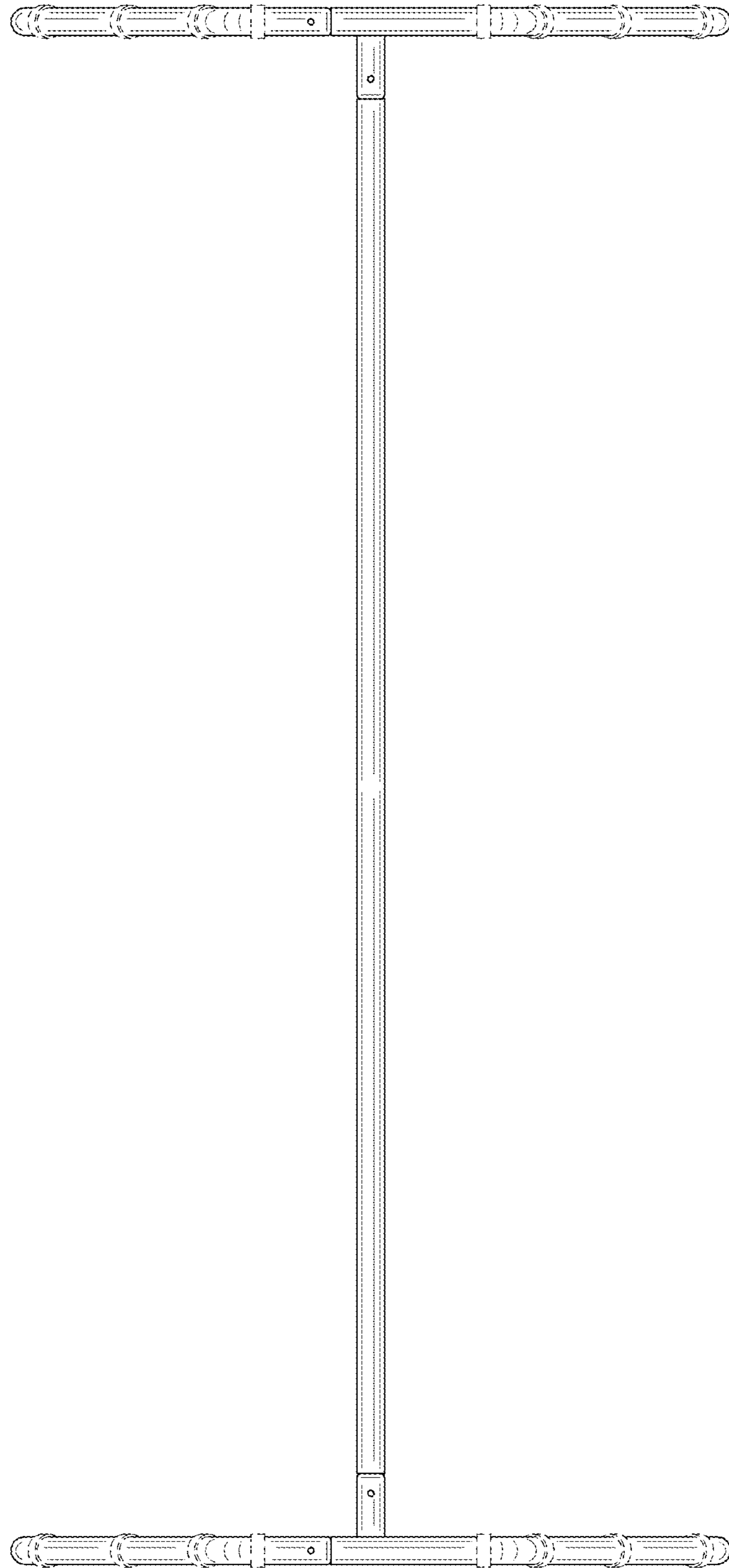


FIG. 6

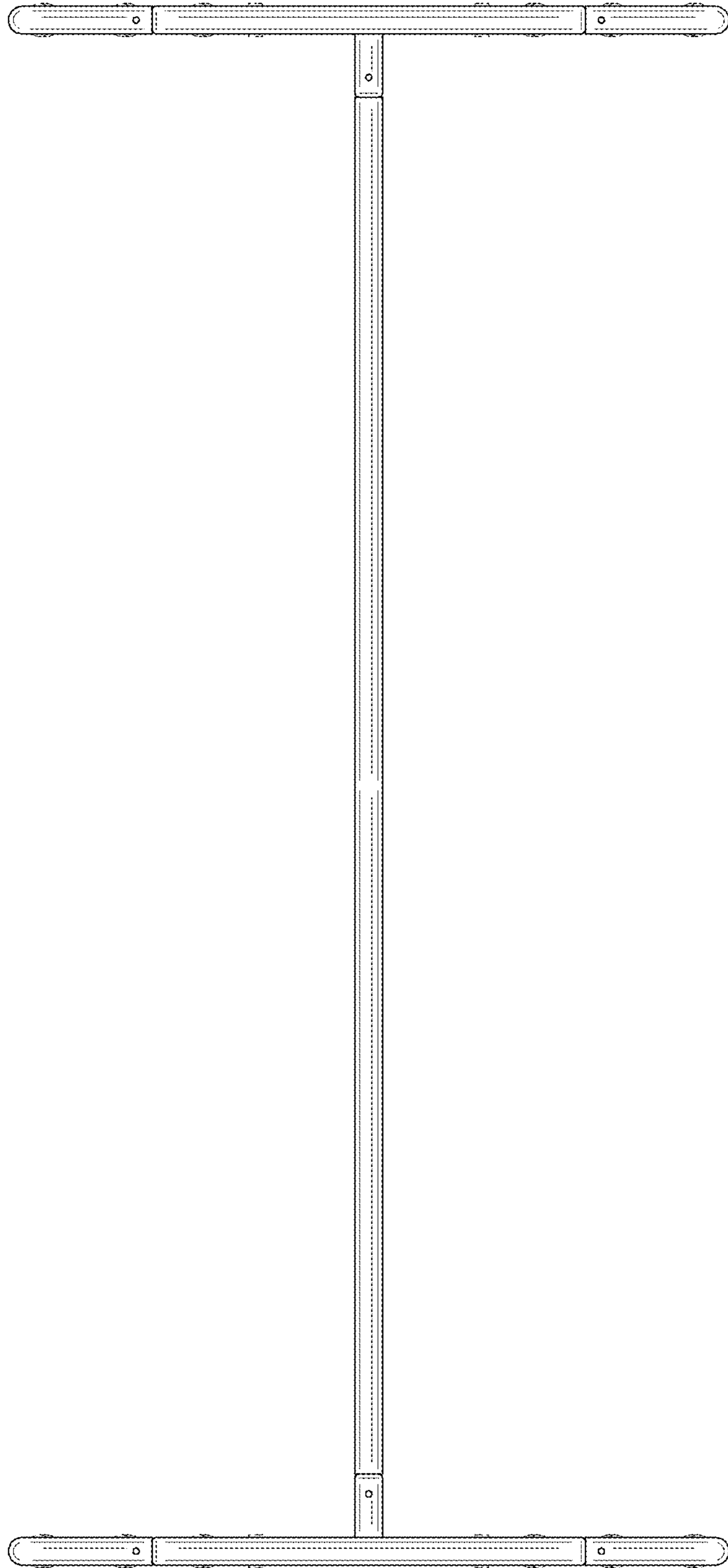


FIG. 7