



US00D843519S

(12) **United States Design Patent**
Lalaoua

(10) **Patent No.:** **US D843,519 S**
(45) **Date of Patent:** **** Mar. 19, 2019**

(54) **COLLAPSIBLE EXERCISE CHAIR**

CPC A63B 21/0552; A63B 21/4035; A63B 21/0557; A63B 21/0442; A63B 21/00069; A63B 21/4043; A63B 2208/0233; A63B 21/04; A63B 21/1609; A63B 21/154; A63B 21/00043; A63B 2023/006; A63B 21/00185; A63B 21/1663

(71) Applicant: **Nabile Lalaoua**, Las Vegas, NV (US)

(72) Inventor: **Nabile Lalaoua**, Las Vegas, NV (US)

(**) Term: **15 Years**

See application file for complete search history.

(21) Appl. No.: **29/597,948**

(56) **References Cited**

(22) Filed: **Mar. 21, 2017**

U.S. PATENT DOCUMENTS

Related U.S. Application Data

5,573,485 A * 11/1996 Geschwender A63B 23/0233 482/112
D581,471 S * 11/2008 Mishan D21/687
(Continued)

(63) Continuation-in-part of application No. PCT/IB2016/054191, filed on Jul. 13, 2016, which is a continuation-in-part of application No. 15/204,863, filed on Jul. 7, 2016, now Pat. No. 9,744,401, application No. 29/597,948, which is a continuation-in-part of application No. PCT/IB2016/005542, filed on Sep. 12, 2016, which is a continuation-in-part of application No. 15/258,047, filed on Sep. 7, 2016, now Pat. No. 10,143,881, application No. 29/597,948, which is a continuation-in-part of application No. PCT/IB2016/053903, filed on Jun. 29, 2016, which is a continuation-in-part of application No. 15/187,564, filed on Jun. 20, 2016, now abandoned, application No. 29/597,948, which is a continuation-in-part of application No. PCT/IB2016/054213, filed on Jul. 14, 2016, and a continuation-in-part of application No. 29/577,628, filed on Sep. 14, 2016, now Pat. No. Des. (Continued)

Primary Examiner — Ryan Harvey

(57) **CLAIM**

The ornamental design for the collapsible exercise chair, as shown and described.

DESCRIPTION

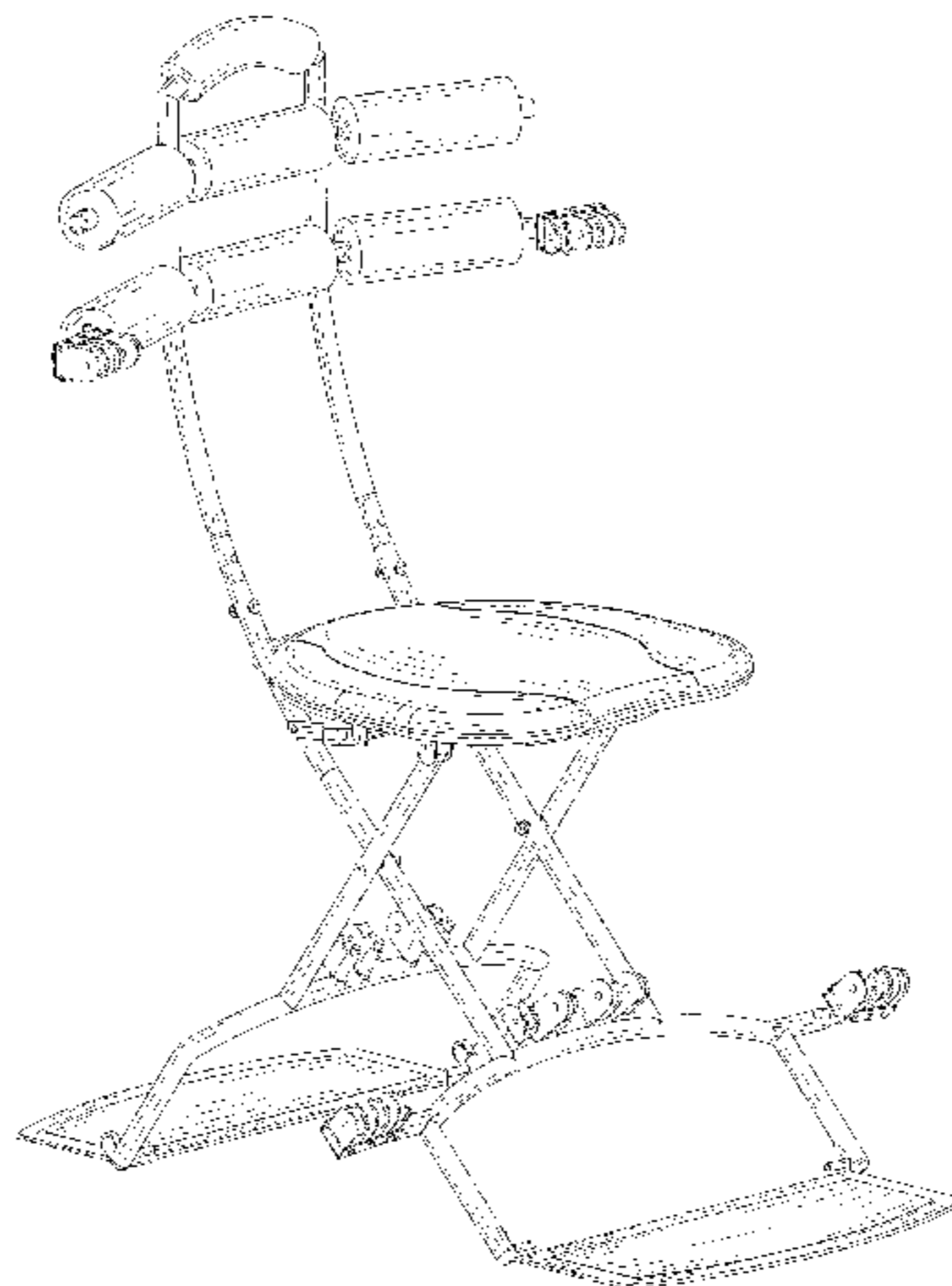
FIG. 1 is an isometric perspective view of the collapsible exercise chair in an extended configuration.
FIG. 2 is a front view thereof;
FIG. 3 is a rear view thereof;
FIG. 4 is a left-side view thereof;
FIG. 5 is a right-side view thereof;
FIG. 6 is a top plan view thereof;
FIG. 7 is a bottom plan view thereof;
FIG. 8 is a front perspective view of the collapsible exercise chair in a collapsed configuration;
FIG. 9 is a rear perspective view of the collapsible exercise chair in a collapsed configuration; and,
FIG. 10 is a perspective view of the collapsible exercise chair in a collapsed configuration.
The broken line showing pulleys is included for the purpose of illustrating environmental structure and forms no part of the claimed design.

(51) **LOC (11) Cl.** **21-02**

(52) **U.S. Cl.**
USPC **D21/690**

(58) **Field of Classification Search**
USPC D21/671, 787, 798, 826, 694, 692, 691, D21/690, 688, 687, 686, 684, 679, 673, D21/662; 482/91, 8, 44, 24, 140, 139, 482/131, 130, 129, 128, 127, 126, 125, 482/124, 123, 122, 121, 115, 112, 103, 482/87, 90, 83, 138; 473/428, 426, 483; 368/10; 135/140

1 Claim, 10 Drawing Sheets



Related U.S. Application Data

814,577, and a continuation-in-part of application No. 15/265,768, filed on Sep. 14, 2016, now Pat. No. 9,789,352, application No. 29/597,948, which is a continuation-in-part of application No. 15/265,791, filed on Sep. 14, 2016, now Pat. No. 9,789,351, and a continuation-in-part of application No. PCT/IB2016/055760, filed on Sep. 26, 2016, and a continuation-in-part of application No. 15/265,791, filed on Sep. 14, 2016, now Pat. No. 9,789,351, application No. 29/597,948, which is a continuation-in-part of application No. PCT/IB2016/055761, filed on Sep. 26, 2016.

(56)

References Cited

U.S. PATENT DOCUMENTS

D647,153 S * 10/2011 Mishan D21/687
 D664,615 S * 7/2012 Chuang D21/687
 8,641,588 B2 * 2/2014 Verheem A63B 21/0421
 482/140
 D723,638 S * 3/2015 Zhu D21/690
 D730,458 S * 5/2015 Zhu D21/690
 D814,577 S * 4/2018 Lalaoua D21/688

2005/0181916 A1 * 8/2005 Frost A63B 21/0004
 482/140
 2006/0166799 A1 * 7/2006 Boland A63B 21/4029
 482/140
 2006/0281610 A1 * 12/2006 Perez, Jr. A63B 23/0211
 482/130
 2008/0076649 A1 * 3/2008 Chen A47C 7/405
 482/140
 2012/0058867 A1 * 3/2012 Mishan A63B 21/023
 482/140
 2013/0157818 A1 * 6/2013 Lalaoua A63B 71/023
 482/123
 2013/0337984 A1 * 12/2013 Lung A63B 21/0421
 482/140
 2013/0345031 A1 * 12/2013 Chiu A63B 21/0421
 482/130
 2014/0274599 A1 * 9/2014 Chuang A63B 21/0552
 482/115
 2015/0105226 A1 * 4/2015 Lalaoua A63B 23/0205
 482/140
 2015/0202484 A1 * 7/2015 Lalaoua A63B 21/025
 482/127
 2017/0014677 A1 * 1/2017 Lalaoua A63B 21/023
 2017/0014678 A1 * 1/2017 Lalaoua A63B 21/0552
 2017/0216649 A1 * 8/2017 Lalaoua A63B 21/0442
 2017/0216659 A1 * 8/2017 Lalaoua A63B 21/0407
 2017/0304676 A1 * 10/2017 Lalaoua A63B 23/0222

* cited by examiner

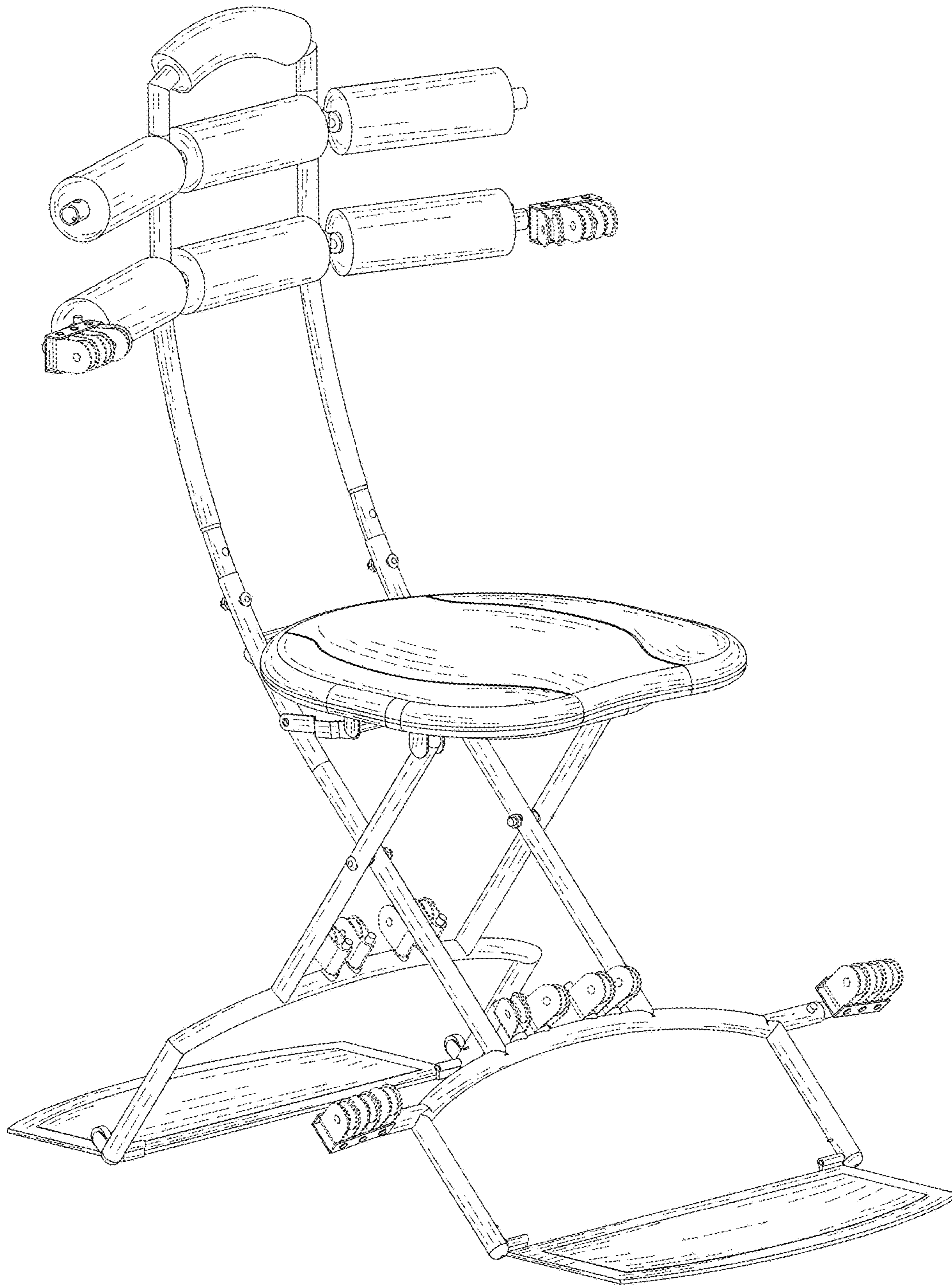


FIG. 1

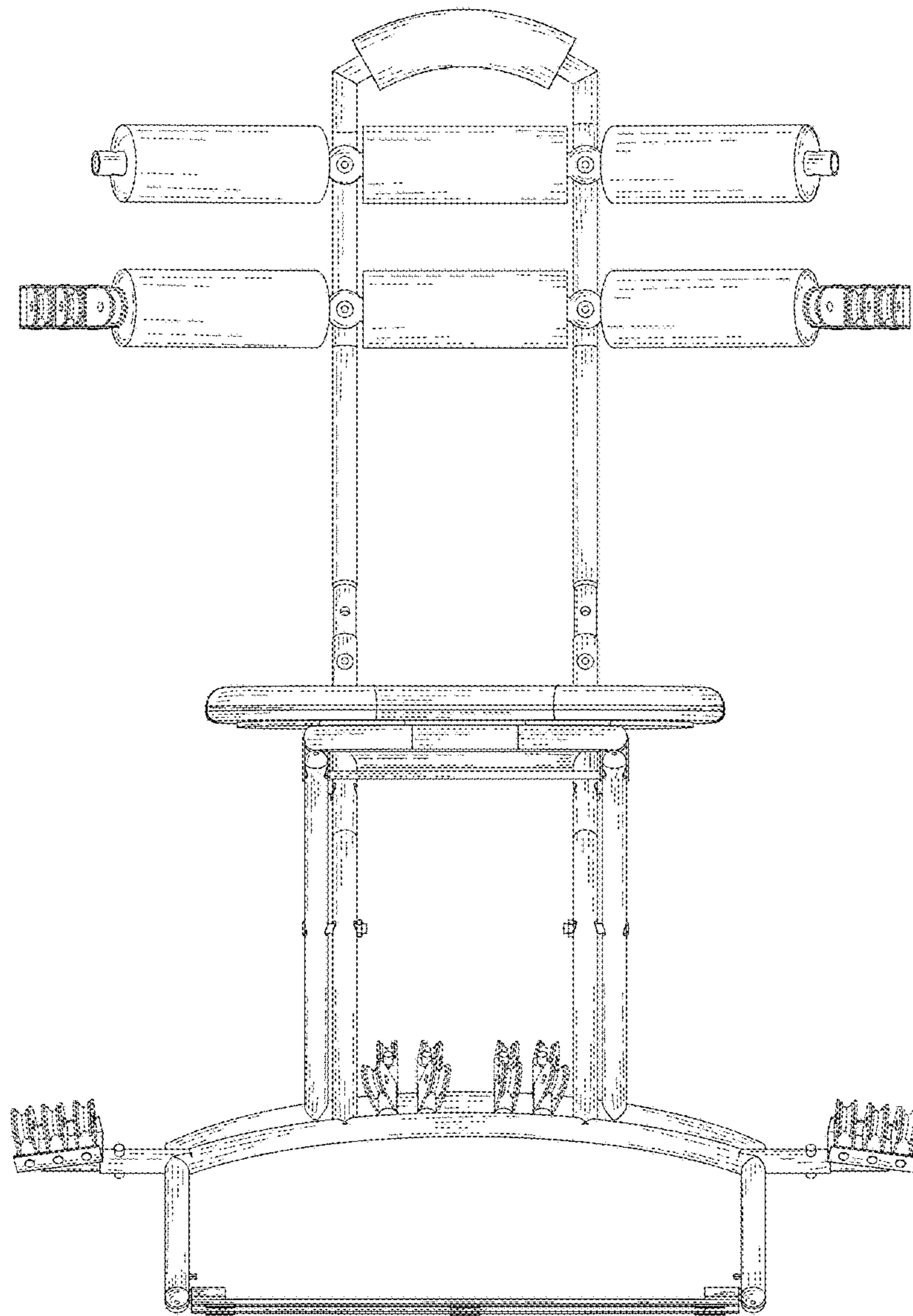


FIG. 2

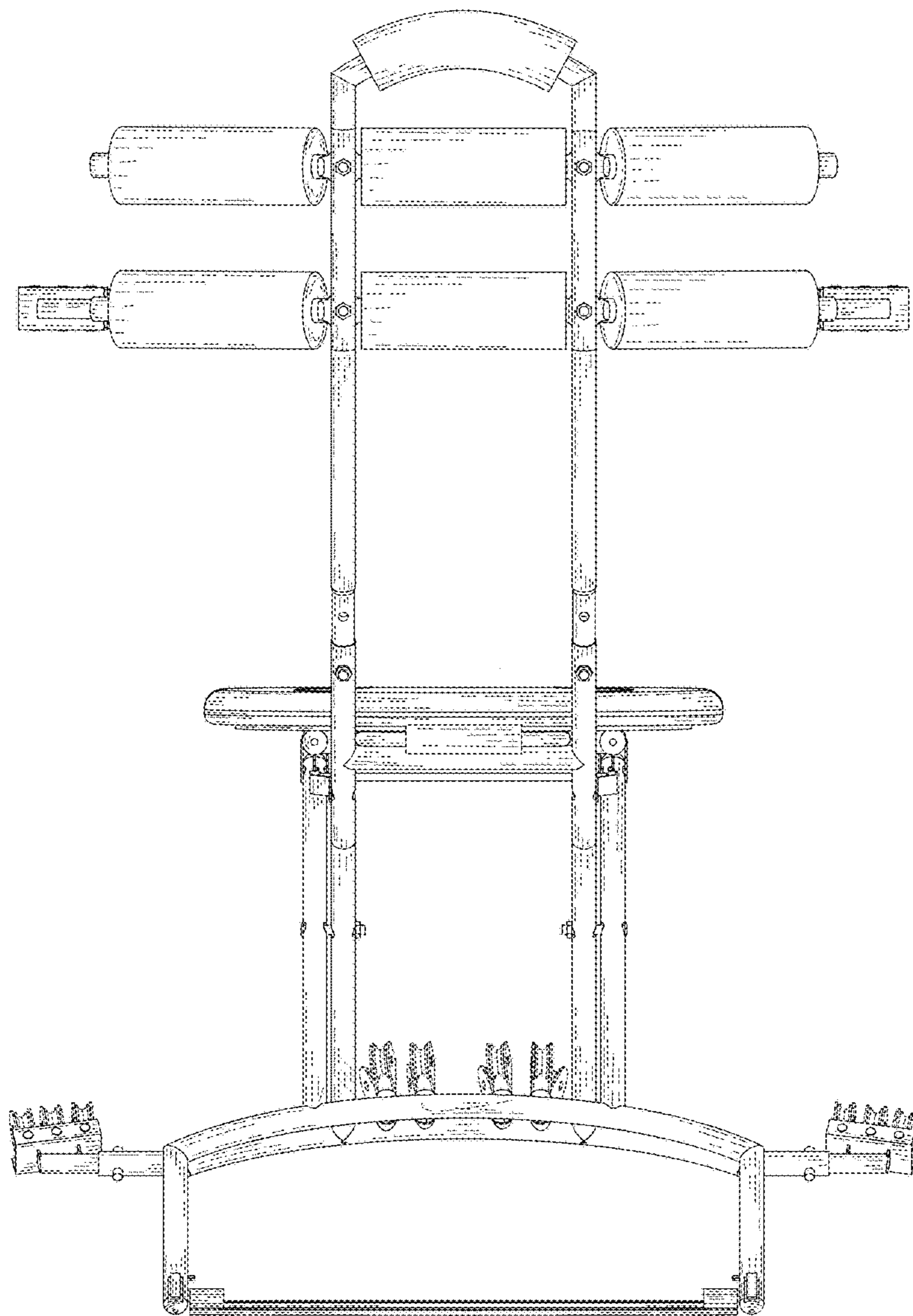


FIG. 3

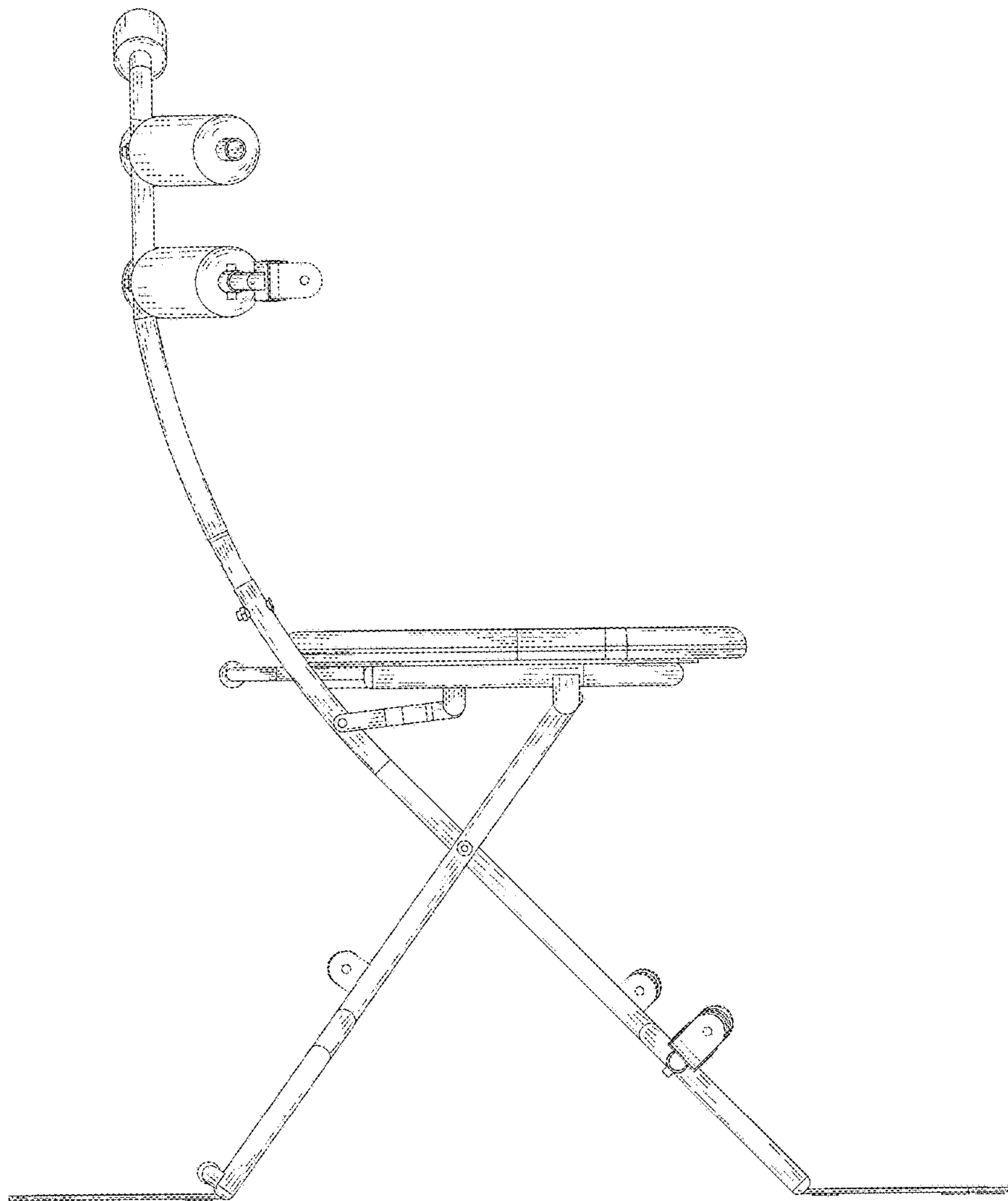


FIG. 4

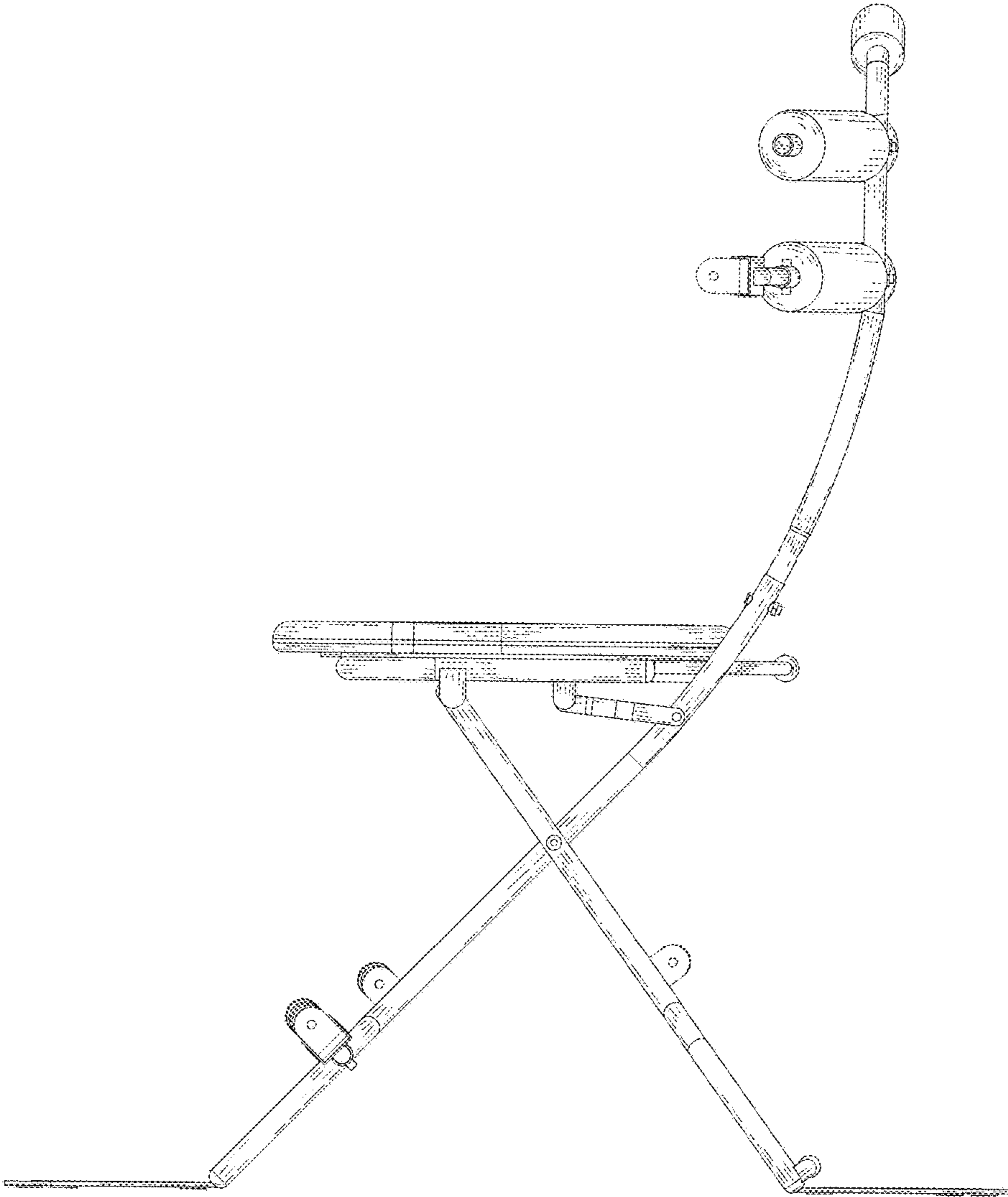


FIG. 5

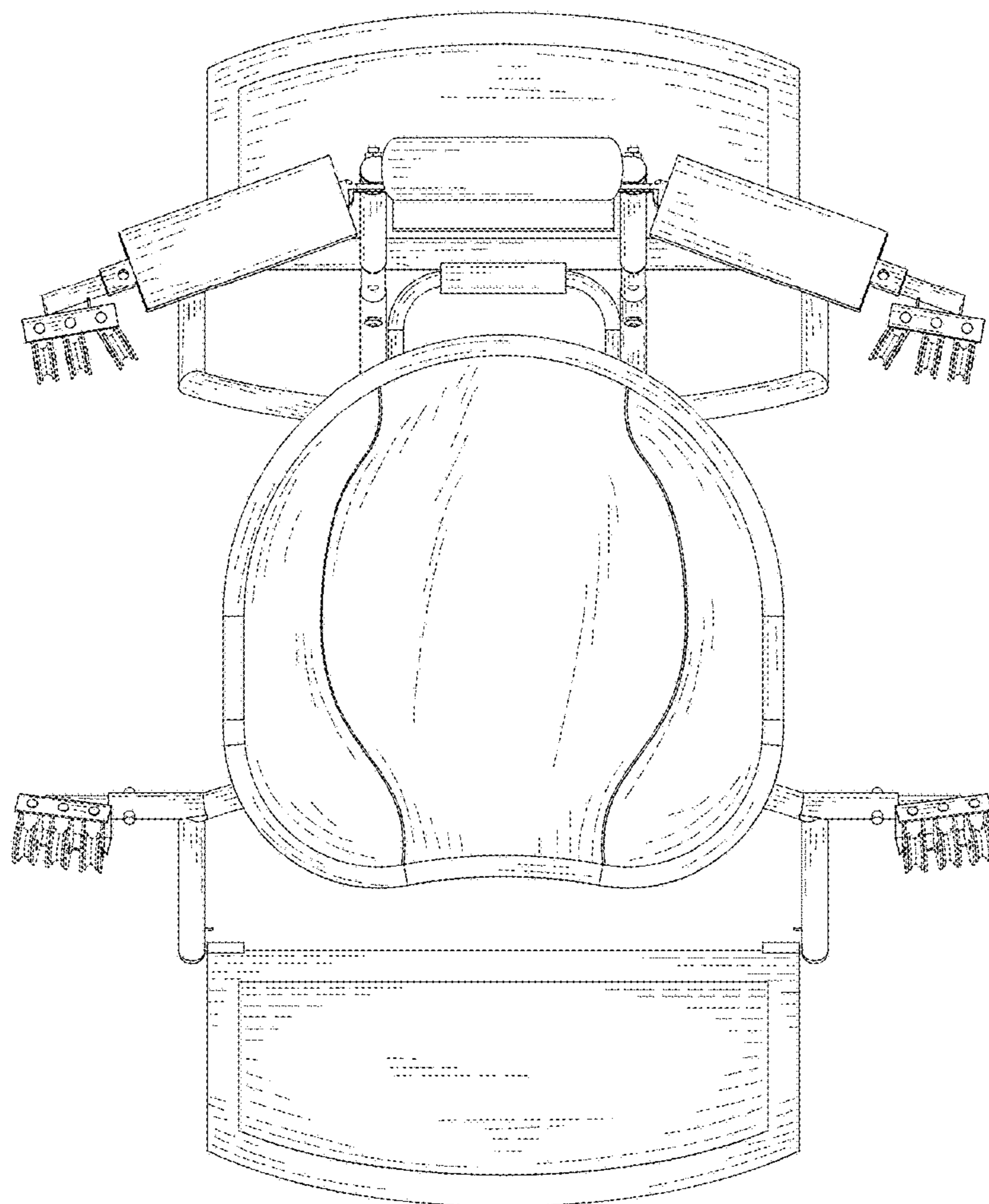


FIG. 6

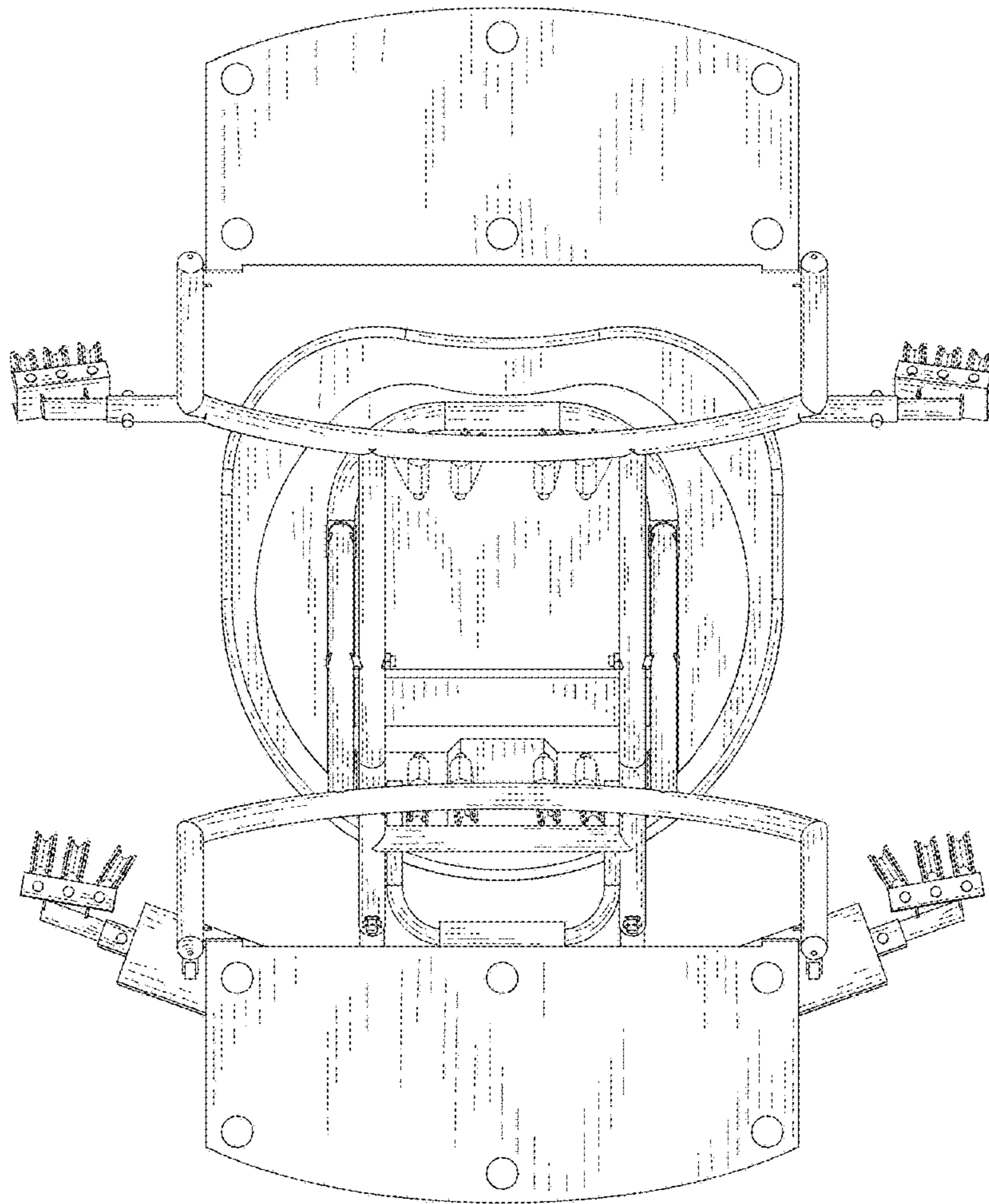


FIG. 7

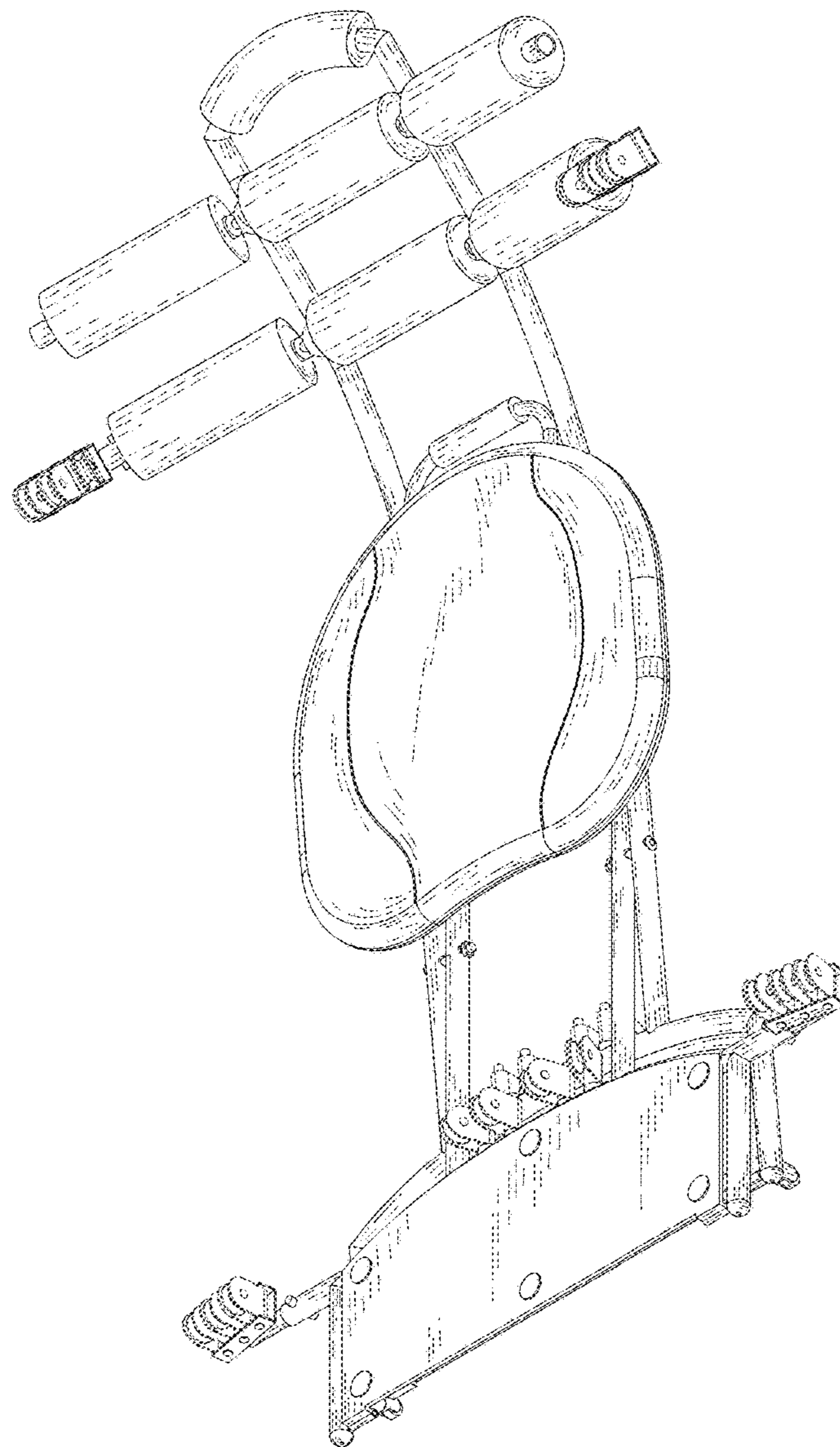


FIG. 8

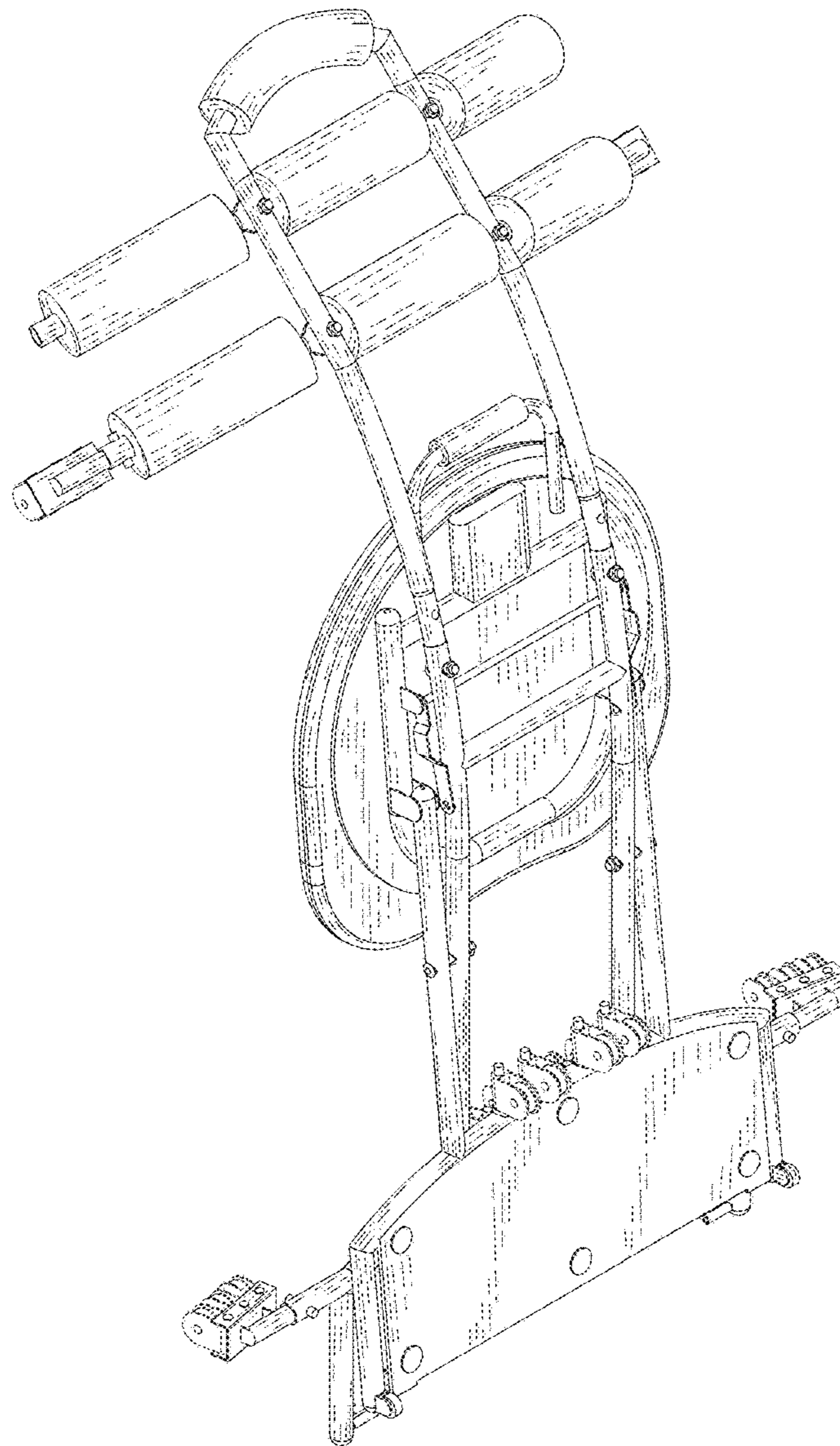


FIG. 9

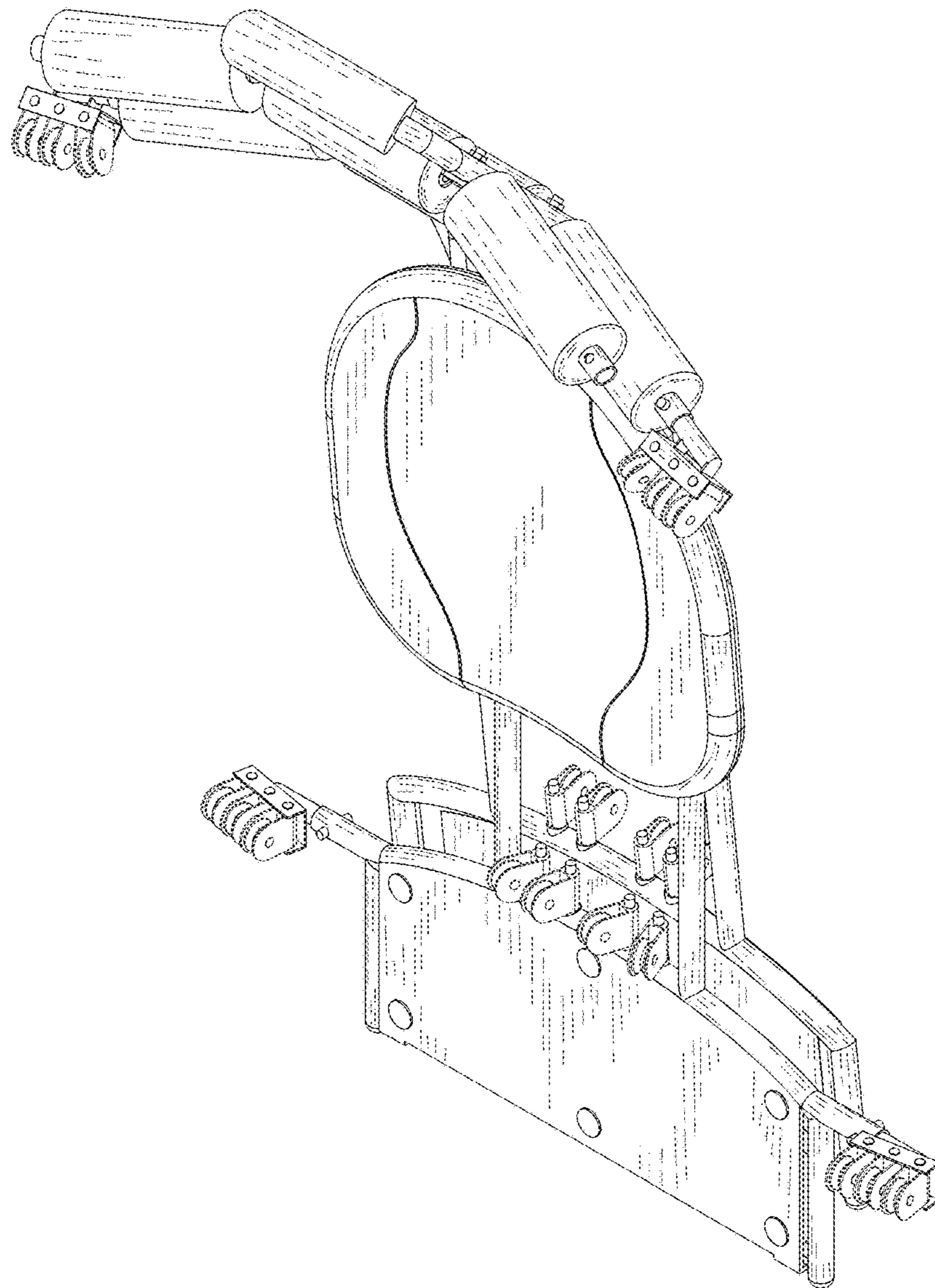


FIG. 10