



US00D843518S

(12) **United States Design Patent** (10) **Patent No.:** **US D843,518 S**
Lien (45) **Date of Patent:** **** Mar. 19, 2019**

(54) **CURL BENCH**

(71) Applicant: **USA Sports, Inc.**, Houston, TX (US)

(72) Inventor: **Louis Lien**, Bellaire, TX (US)

(73) Assignee: **USA SPORTS, INC.**, Houston, TX (US)

(**) Term: **15 Years**

(21) Appl. No.: **29/566,040**

(22) Filed: **May 26, 2016**

(51) **LOC (11) Cl.** **21-02**

(52) **U.S. Cl.**
USPC **D21/690**

(58) **Field of Classification Search**

USPC D21/690, 676, 687, 674, 673, 675, 689,
D21/686; 482/140, 142, 126, 144, 92,
482/143, 123, 133, 138, 95, 131, 130,
482/135, 72, 52, 57, 93, 96, 127, 100,
482/118, 136, 97, 112, 9
CPC A63B 23/0211; A63B 2208/0233; A63B
21/4047; A63B 21/068; A63B 21/0628;
A63B 23/0233; A63B 21/4035; A63B
23/0227; A63B 23/0216; A63B
2208/0252; A63B 23/0405; A63B
21/4029; A63B 21/0004

See application file for complete search history.

(56) **References Cited**

U.S. PATENT DOCUMENTS

4,720,100 A * 1/1988 Du Buy A63B 21/0455
482/112
9,022,911 B2 * 5/2015 Goldberg A63B 21/04
482/123
2006/0160683 A1 * 7/2006 Schenk A63B 21/045
482/142

* cited by examiner

Primary Examiner — Ryan Harvey

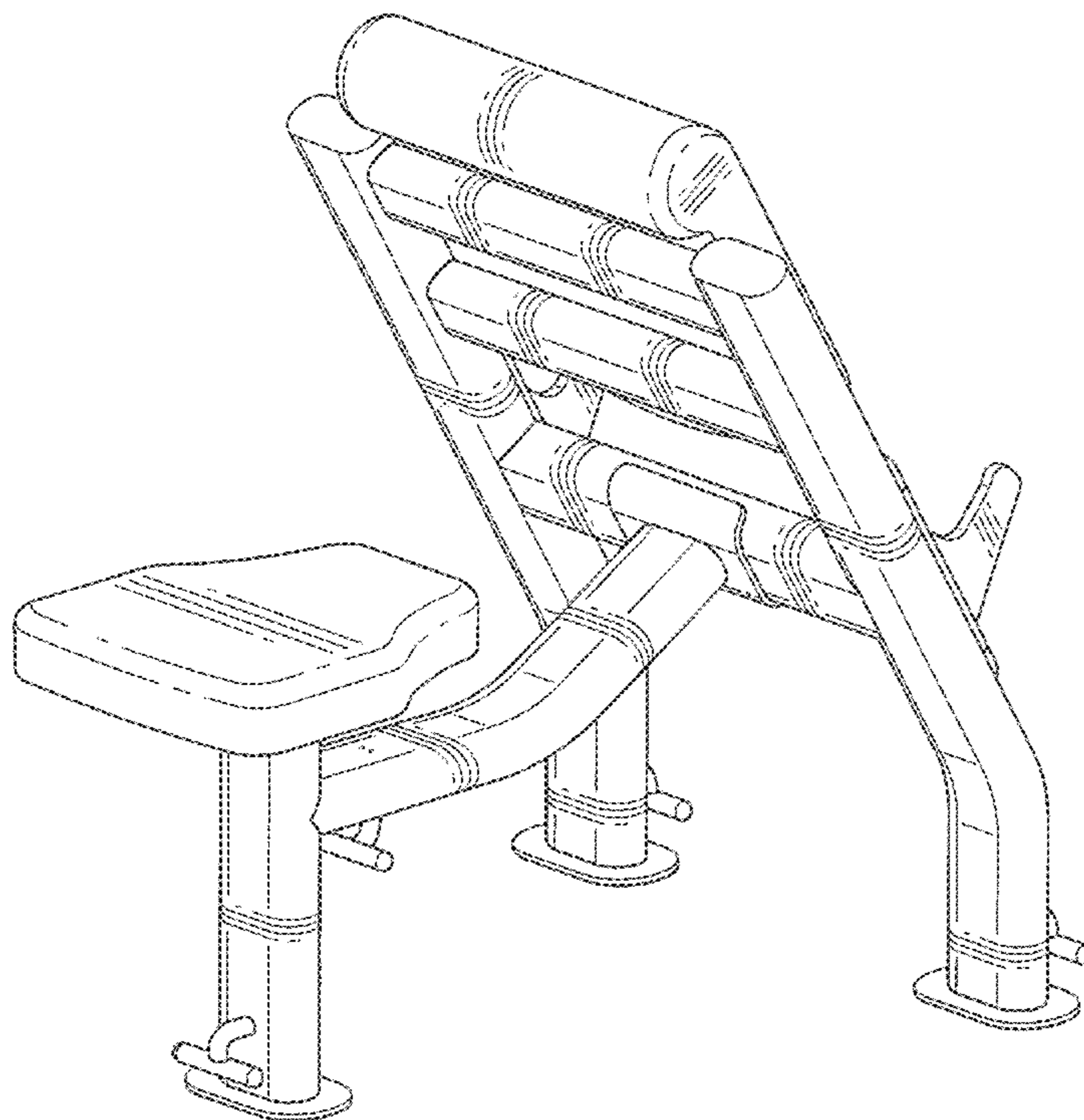
(57) **CLAIM**

The ornamental design for a curl bench, as shown and described.

DESCRIPTION

FIG. 1 is a back perspective view of a curl bench;
FIG. 2 is a front perspective view of the curl bench of FIG. 1;
FIG. 3 is a front view of the curl bench of FIG. 1;
FIG. 4 is a back view of the curl bench of FIG. 1;
FIG. 5 is a top view of the curl bench of FIG. 1;
FIG. 6 is a bottom view of the curl bench of FIG. 1;
FIG. 7 is a left side view of the curl bench of FIG. 1; and,
FIG. 8 is a right side view of the curl bench of FIG. 1.

1 Claim, 8 Drawing Sheets



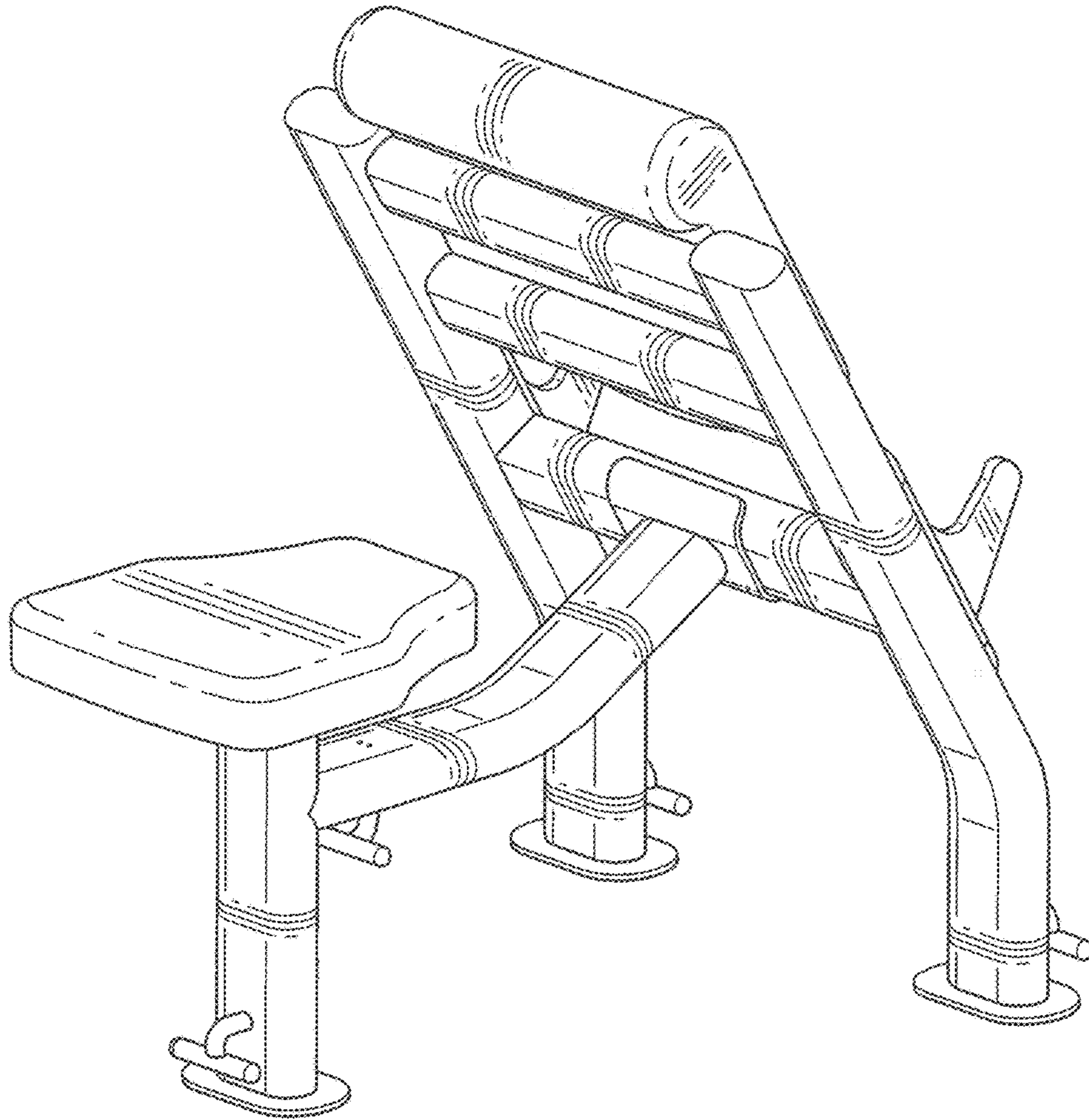


FIG. 1

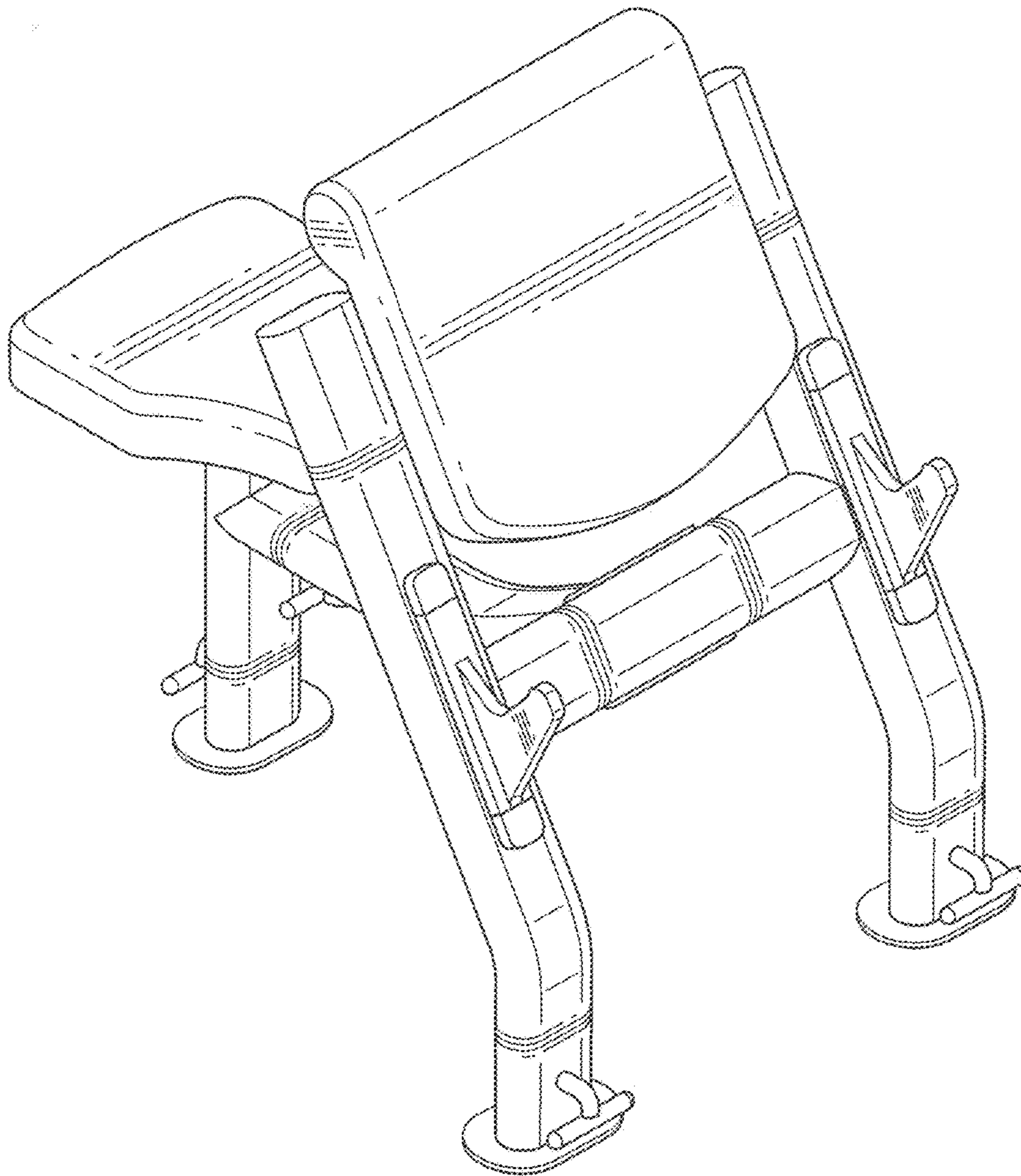


FIG. 2

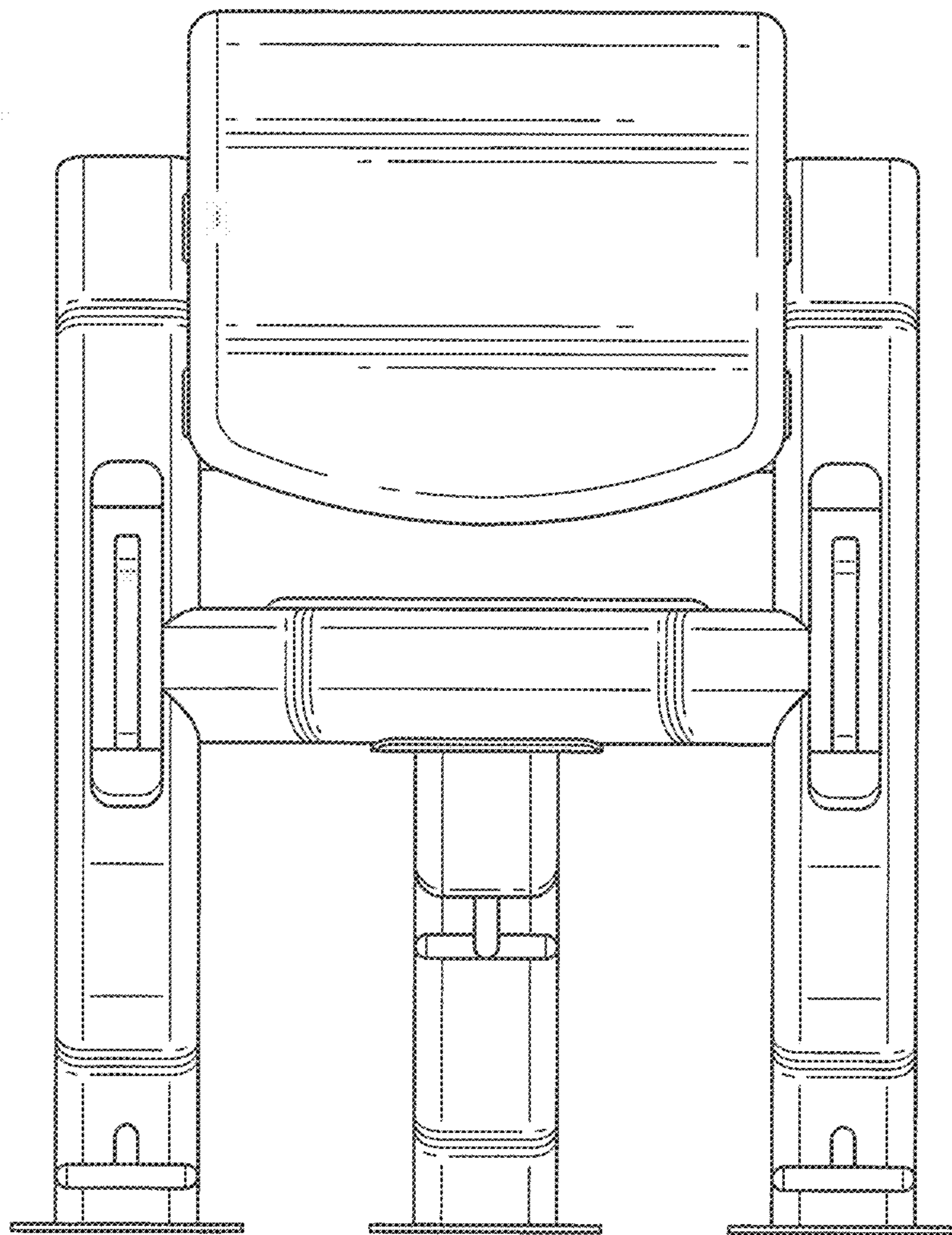


FIG. 3

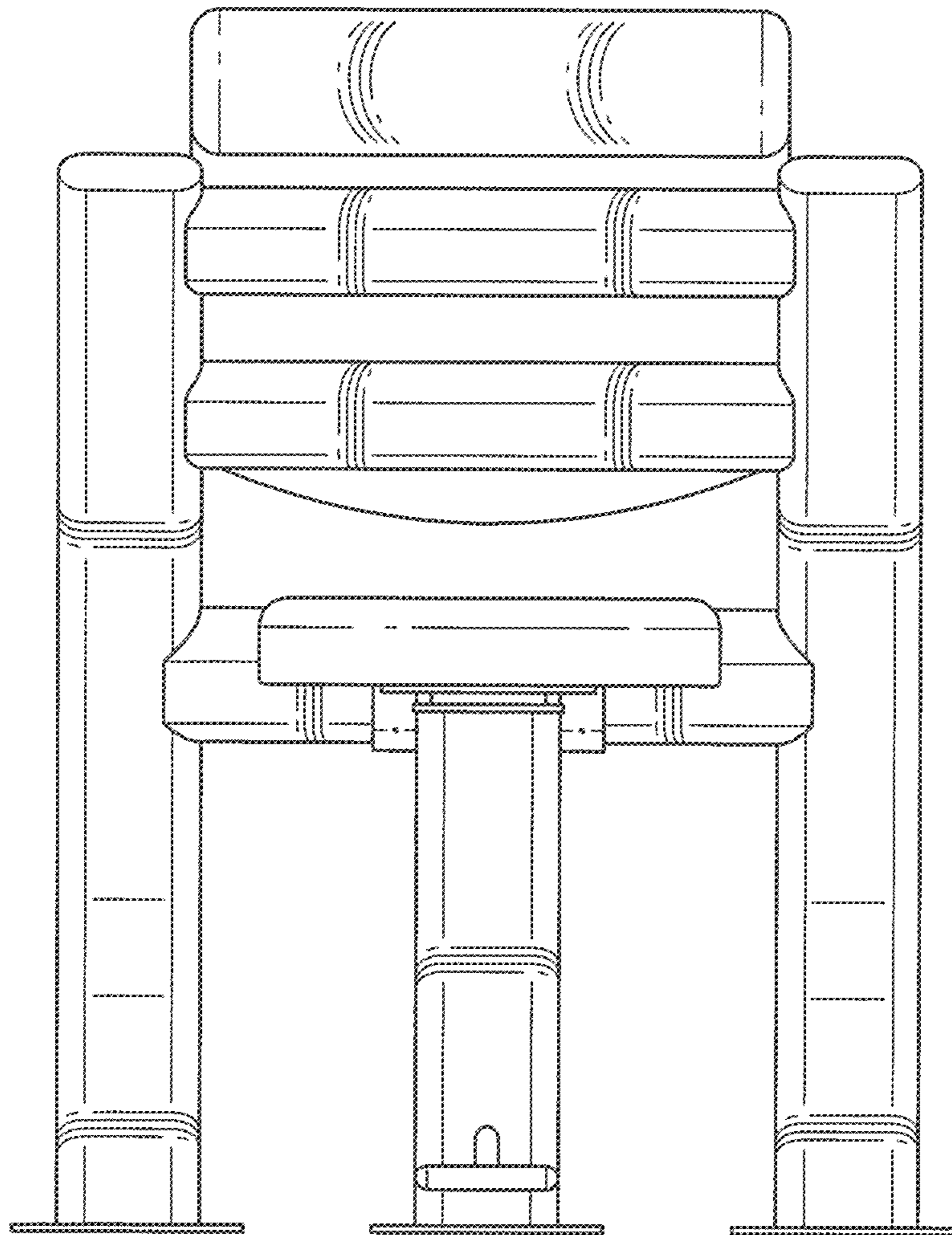


FIG. 4

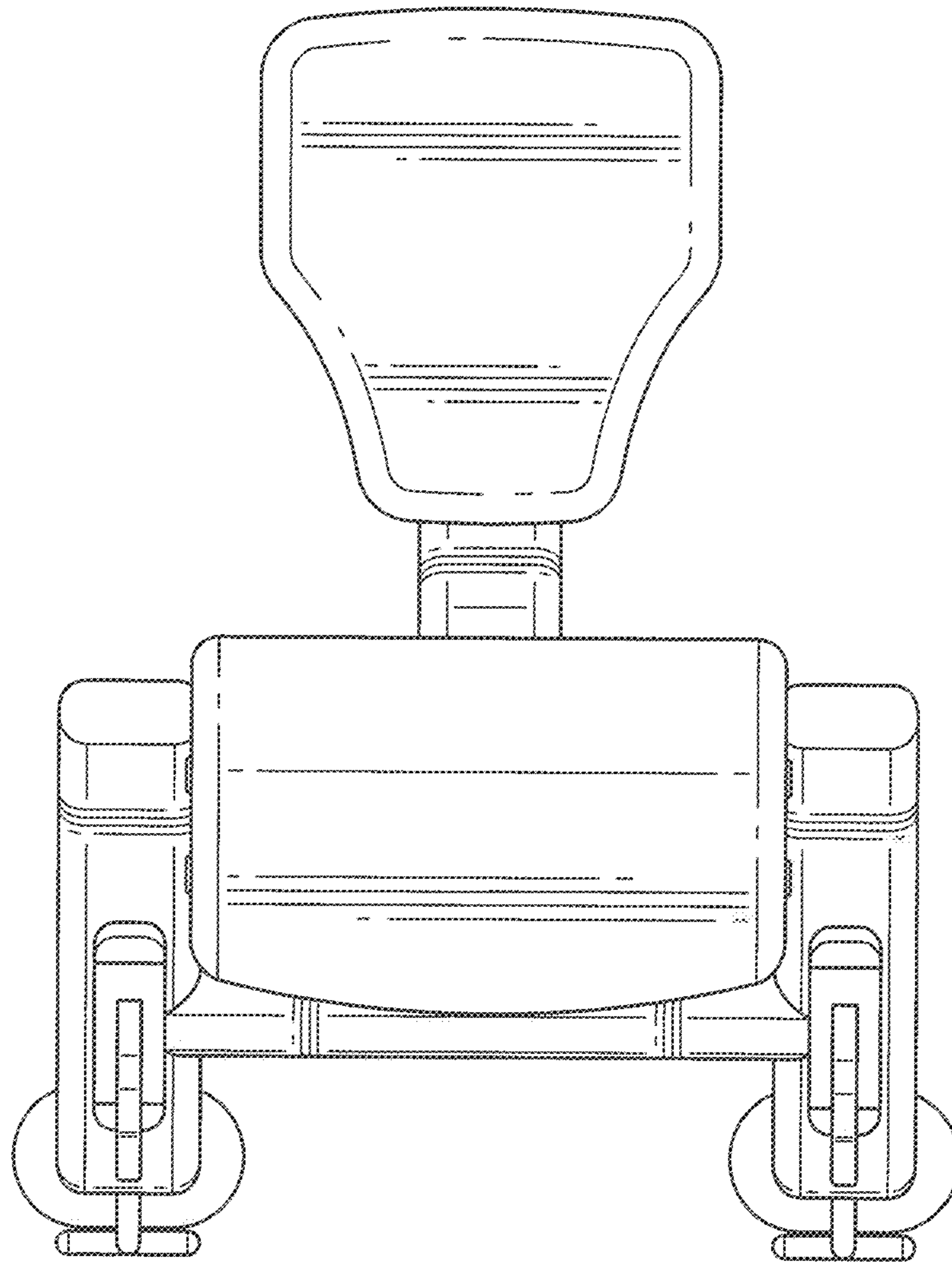


FIG. 5

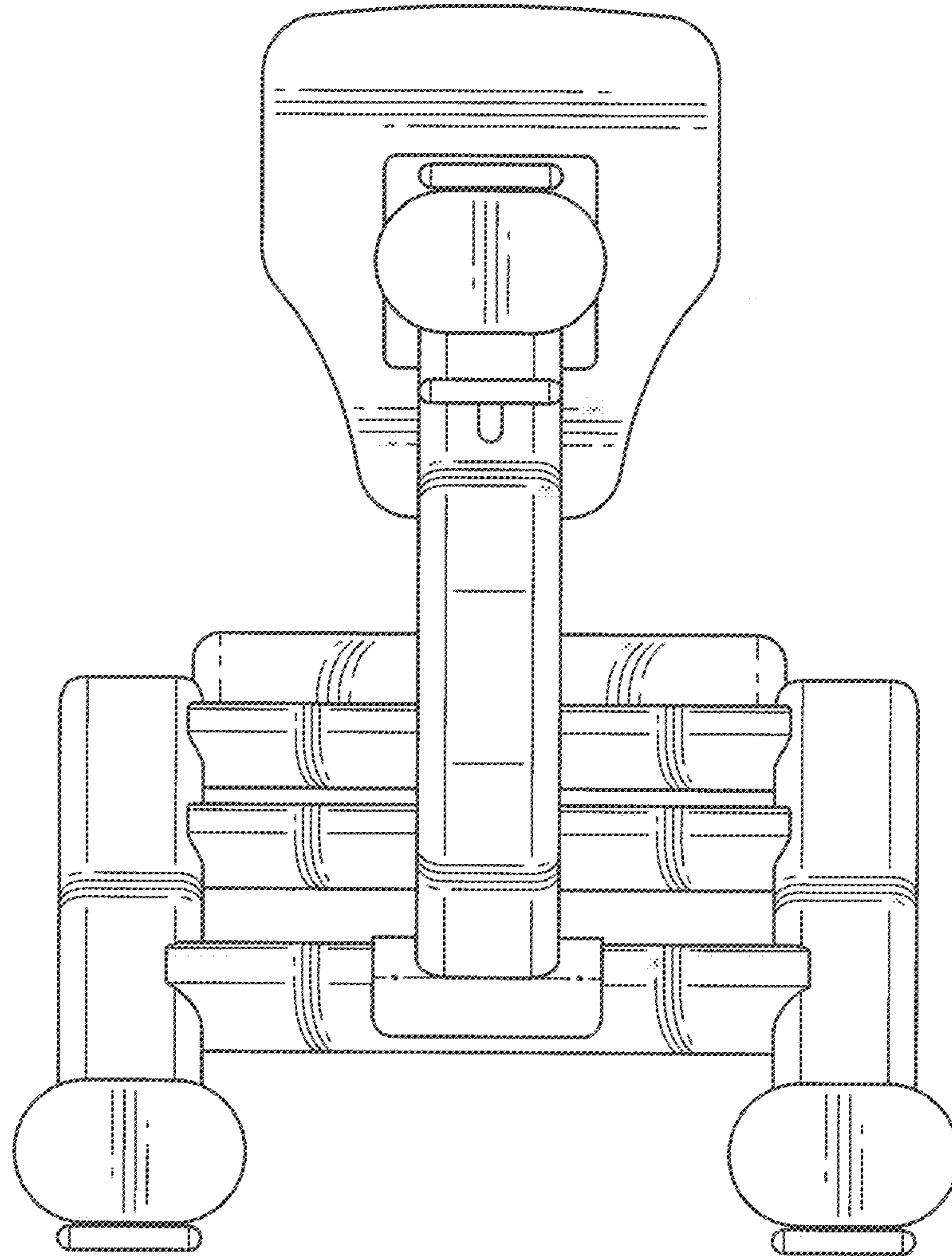


FIG. 6

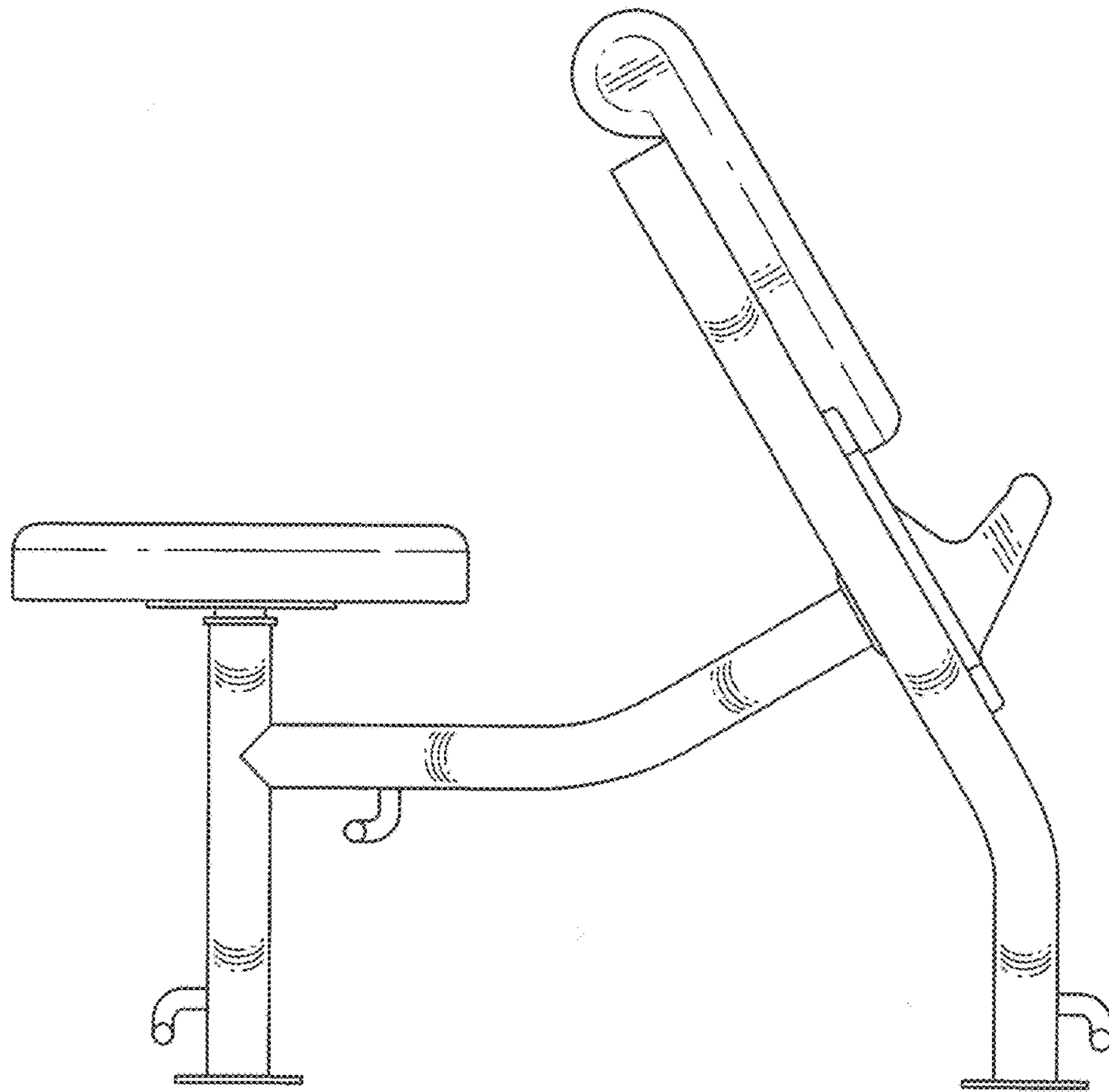


FIG. 7

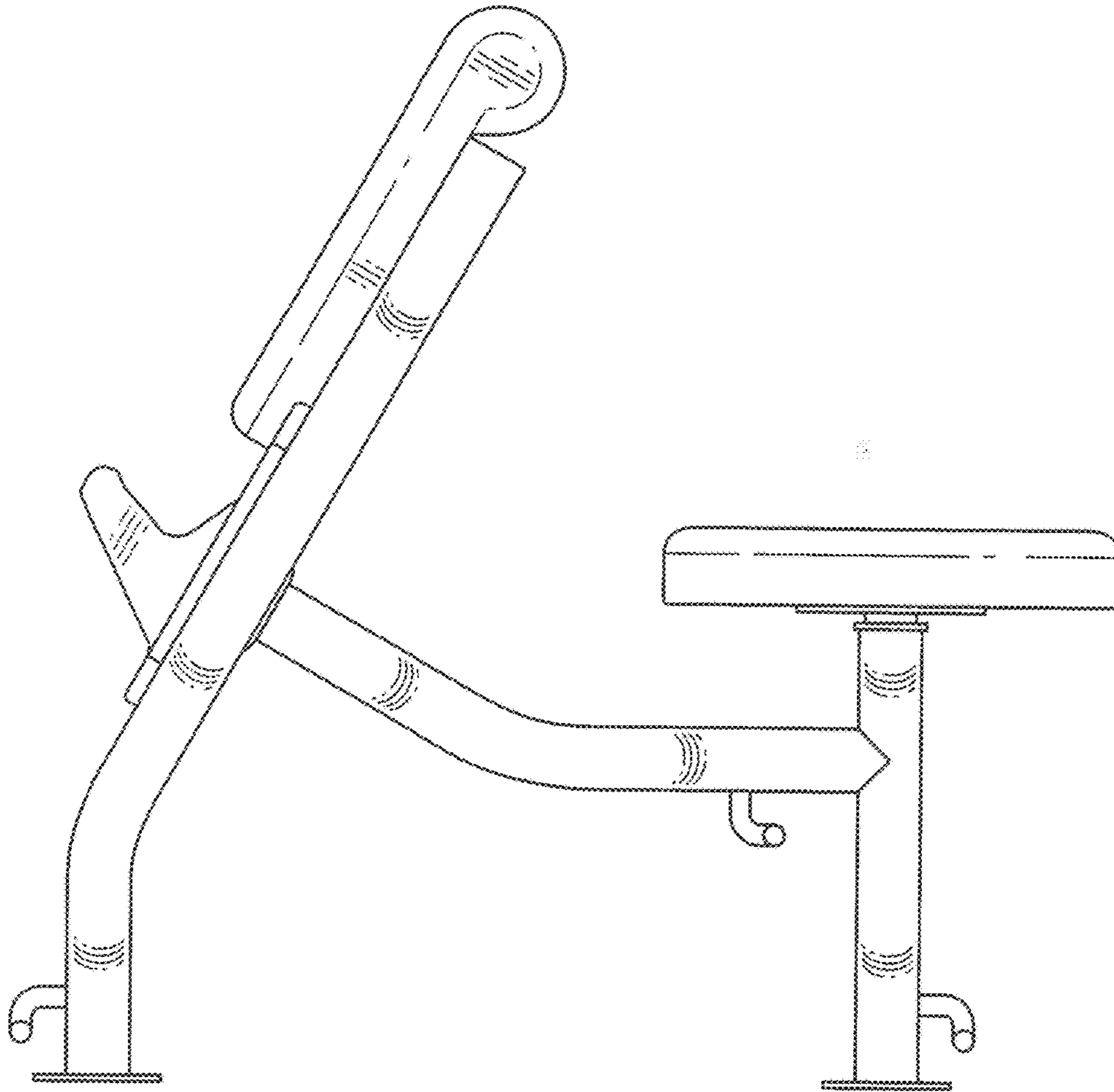


FIG. 8