



US00D843517S

(12) **United States Design Patent**  
**Anderson**

(10) **Patent No.:** **US D843,517 S**  
(45) **Date of Patent:** **\*\* Mar. 19, 2019**

(54) **BARBELL FOOT JACK**

- (71) Applicant: **Robert Anderson**, Broken Arrow, OK (US)
- (72) Inventor: **Robert Anderson**, Broken Arrow, OK (US)
- (\*\*) Term: **15 Years**
- (21) Appl. No.: **29/619,147**
- (22) Filed: **Sep. 27, 2017**
- (51) **LOC (11) Cl.** ..... **21-02**
- (52) **U.S. Cl.**  
USPC ..... **D21/688**
- (58) **Field of Classification Search**  
USPC ..... 248/339, 302, 303, 340, 175; 224/268, 224/267, 247, 575, 605, 615, 666, 922; 482/104, 105, 106, 108, 109, 94, 142, 93, 482/139, 127, 50, 92, 40, 96, 46; D21/690, 686, 694, 689, 680, 681; D6/552; D29/120.1; D9/457, 434; D3/215  
CPC ..... A63B 21/078; A63B 21/0724; A63B 21/0728; A63B 21/072; A63B 21/0783; A63B 21/4047  
See application file for complete search history.

(56) **References Cited**

**U.S. PATENT DOCUMENTS**

8,926,481 B2 *	1/2015	Moore	.....	A63B 21/072
				482/104
2008/0248930 A1 *	10/2008	Hoole	.....	A63B 21/0724
				482/104
2011/0183818 A1 *	7/2011	Mitchell	.....	A63B 21/0724
				482/104
2012/0225756 A1 *	9/2012	Reyes	.....	A63B 21/078
				482/104
2015/0157894 A1 *	6/2015	Rulli	.....	A63B 21/078
				482/104

**OTHER PUBLICATIONS**

RT-1.0 by Anderson Gym Equipment dated no date given. Found online [Oct. 22, 2018]. [https://andersonge.com/shop?olsPage=products%2Frt-10-olympic-bar-jack.\\*](https://andersonge.com/shop?olsPage=products%2Frt-10-olympic-bar-jack.*)

Rogue HD Bar Jack by Rogue dated Feb. 22, 2018. Found online [Oct. 22, 2018]. [https://www.roguefitness.com/rogue-hd-bar-jack.\\*](https://www.roguefitness.com/rogue-hd-bar-jack.*)

Genesis Jack by Rogue dated no date given. Found online [Oct. 22, 2018]. [https://www.roguefitness.com/genesis-jack?80=7106&gclid=EAlalQobChMlg\\_jYza2Q3glVmkwNCh0nzw5TEAQYBCABEgLUi\\_D\\_BwE.\\*](https://www.roguefitness.com/genesis-jack?80=7106&gclid=EAlalQobChMlg_jYza2Q3glVmkwNCh0nzw5TEAQYBCABEgLUi_D_BwE.*)

\* cited by examiner

*Primary Examiner* — Ryan Harvey

(74) *Attorney, Agent, or Firm* — Dennis D. Brown; Brown Patent Law, P.L.L.C.

(57) **CLAIM**

The ornamental design for the barbell foot jack, as shown and described.

**DESCRIPTION**

FIG. 1 is a front top perspective view illustrating the barbell foot jack of my new design.

FIG. 2 is a front view of the barbell foot jack of my new design.

FIG. 3 is a rear views of the barbell foot jack of my new design.

FIG. 4 is a right side view of the barbell foot jack of my new design.

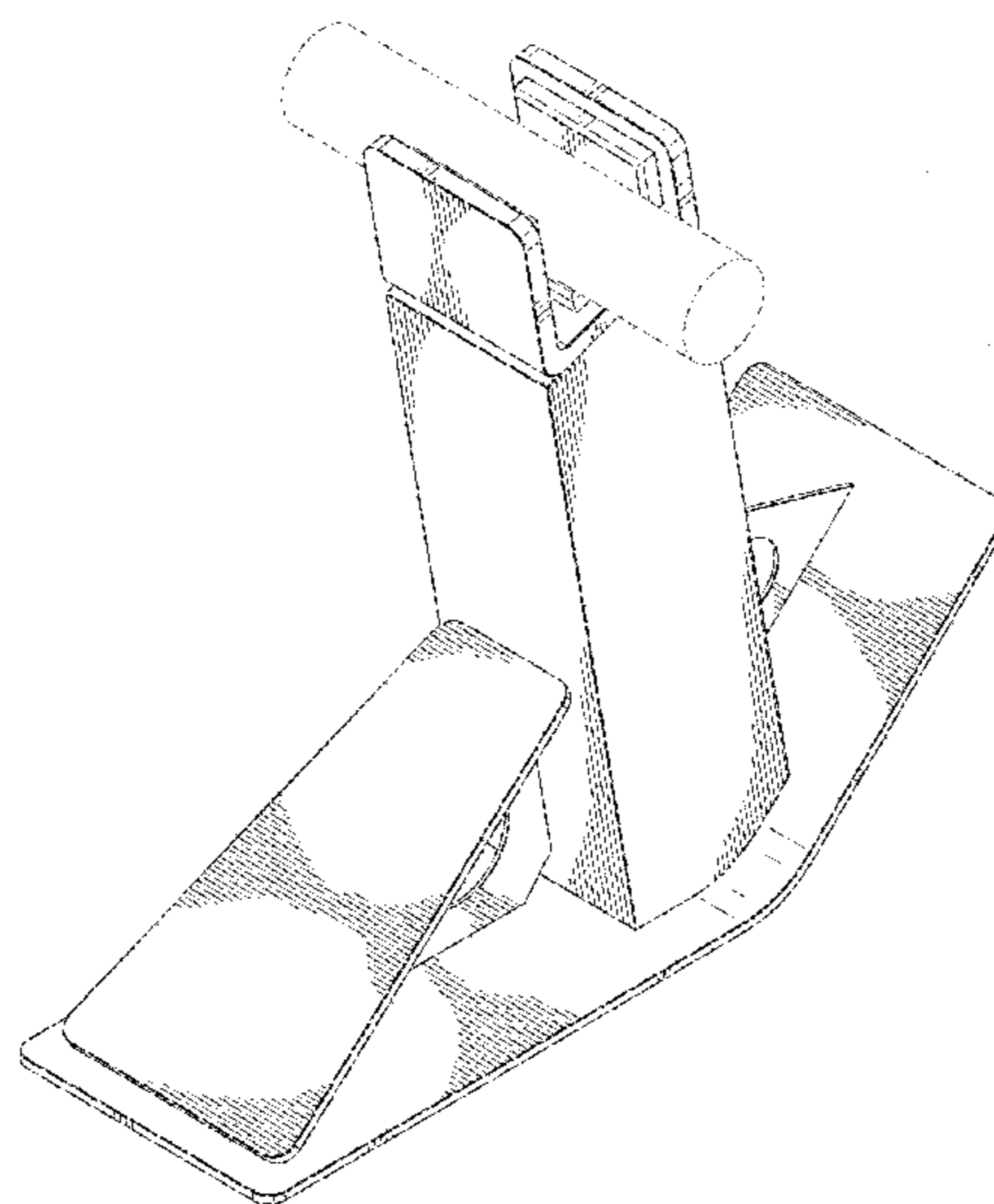
FIG. 5 is a left side view of the barbell foot jack of my new design.

FIG. 6 is a top view of the barbell foot jack of my new design.

FIG. 7 is a bottom view of the barbell foot jack of my new design; and,

FIG. 8 is a rear bottom perspective view illustrating the barbell foot jack of my new design.

**1 Claim, 7 Drawing Sheets**



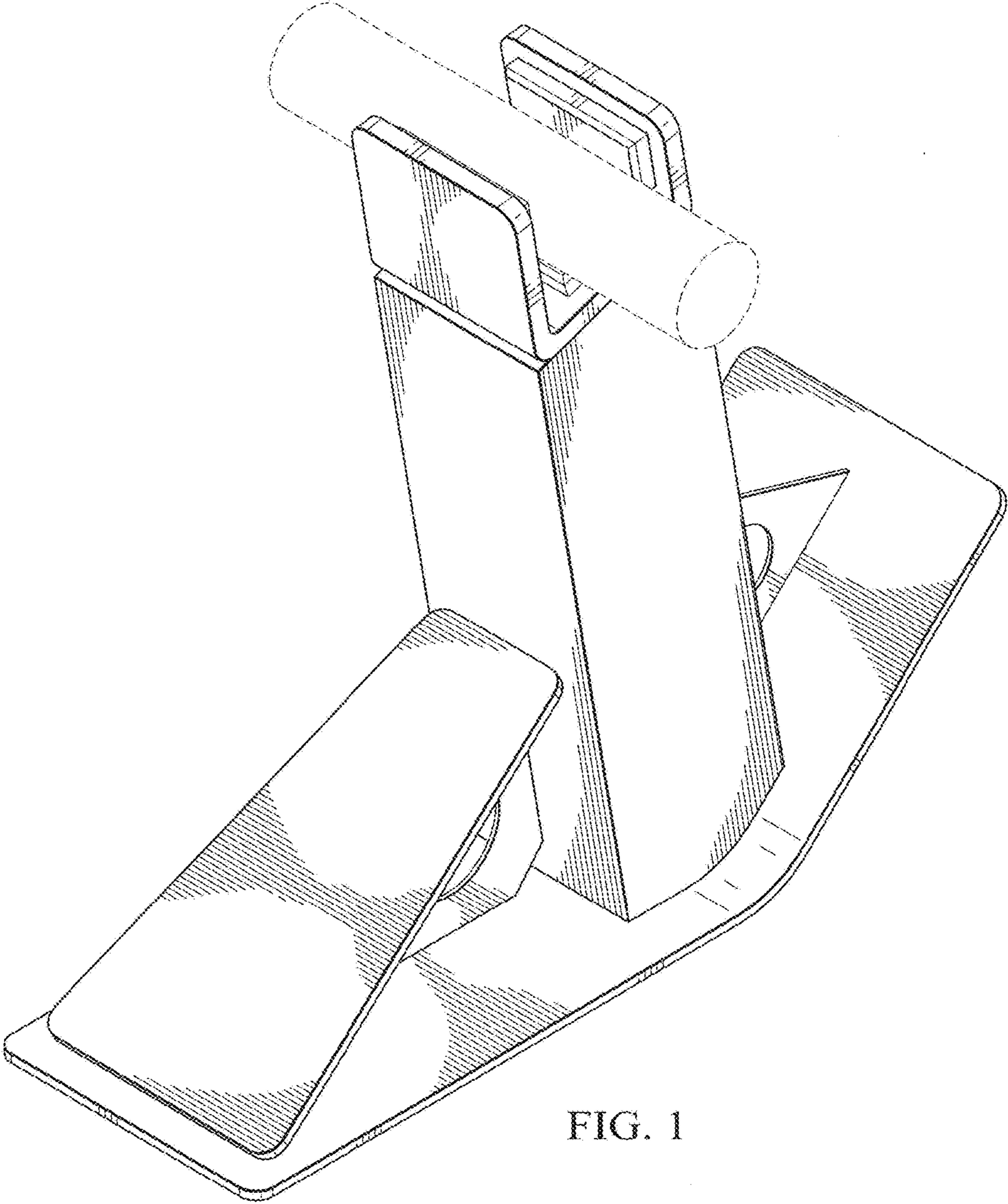


FIG. 1

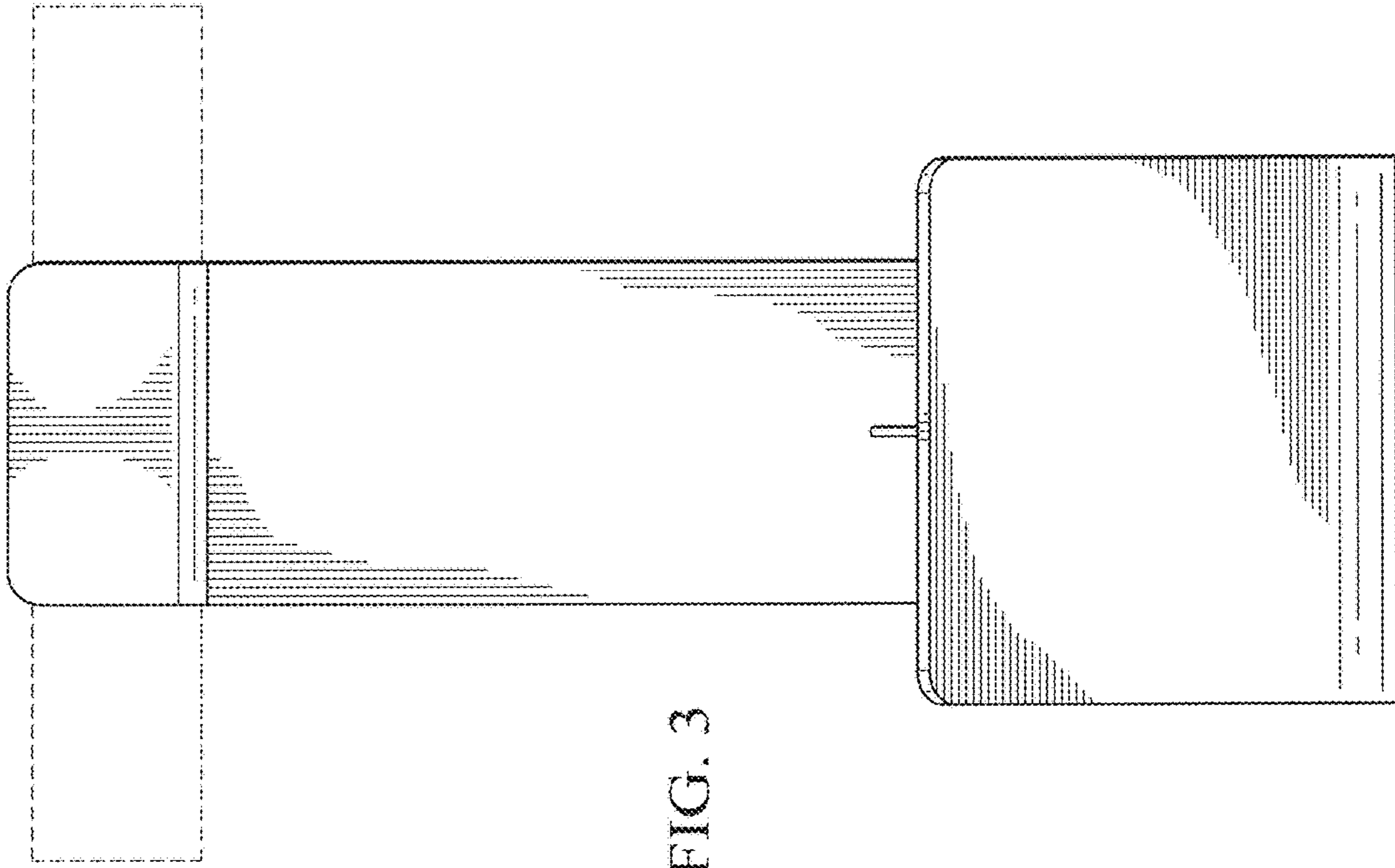


FIG. 3

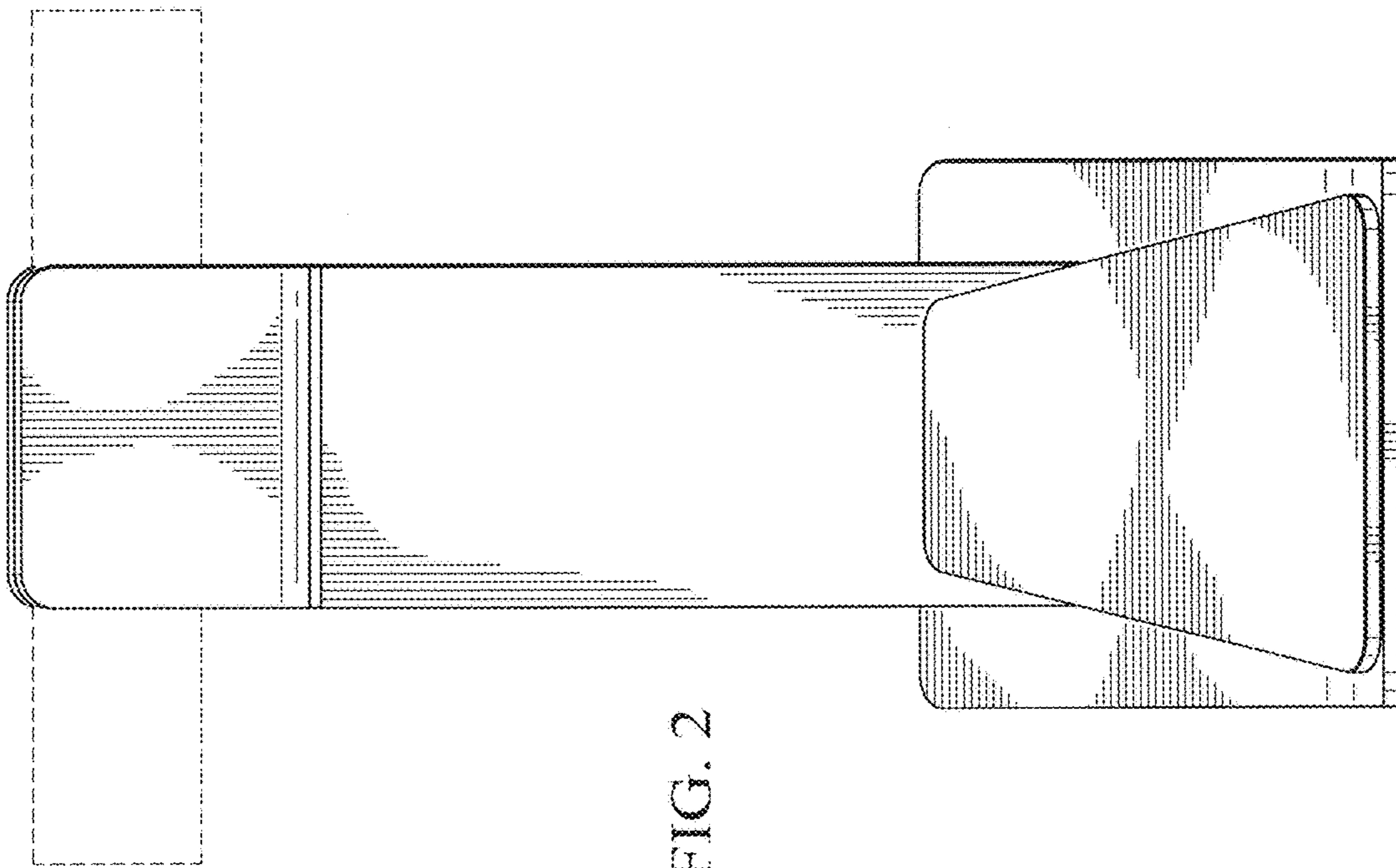


FIG. 2

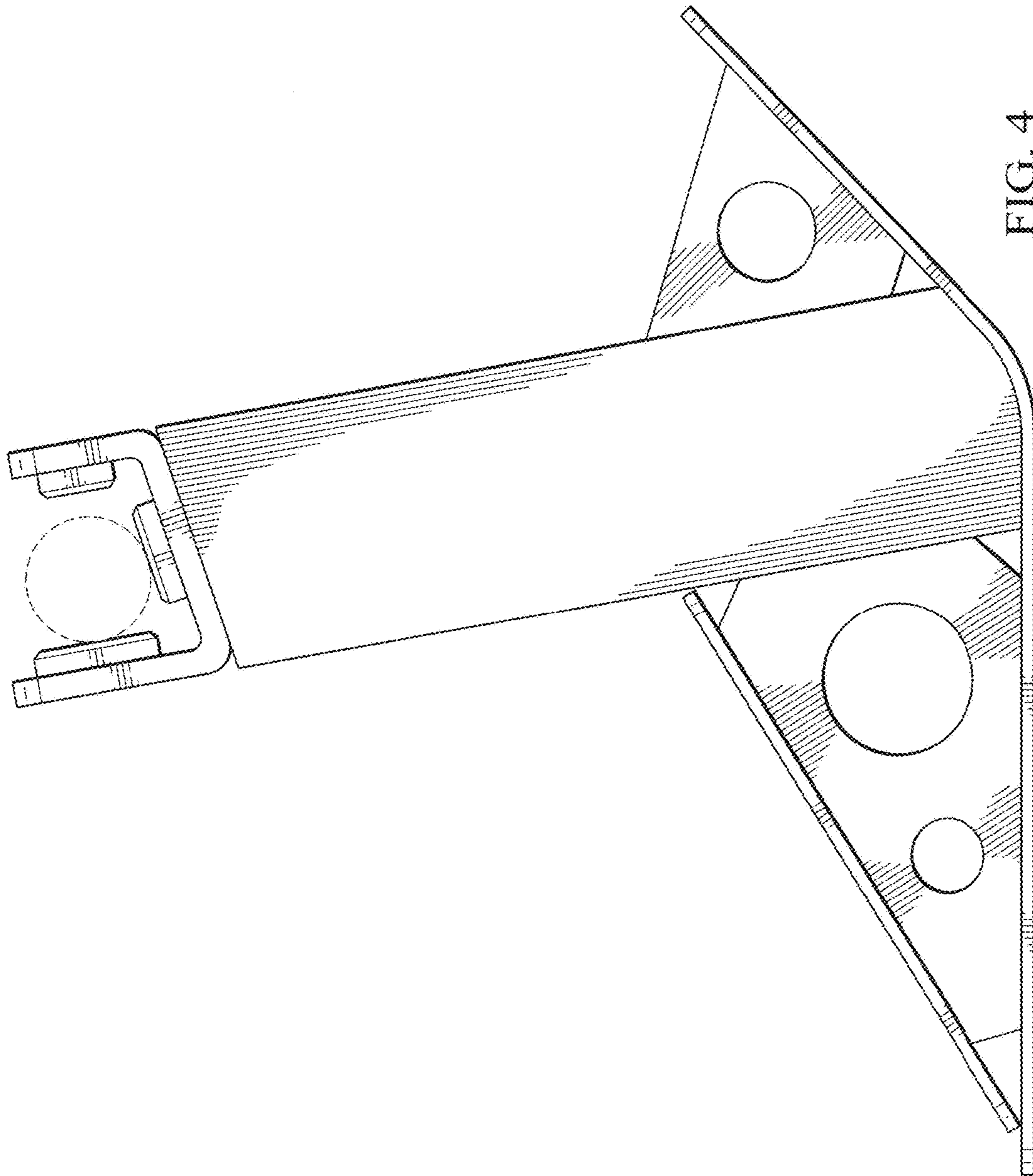


FIG. 4

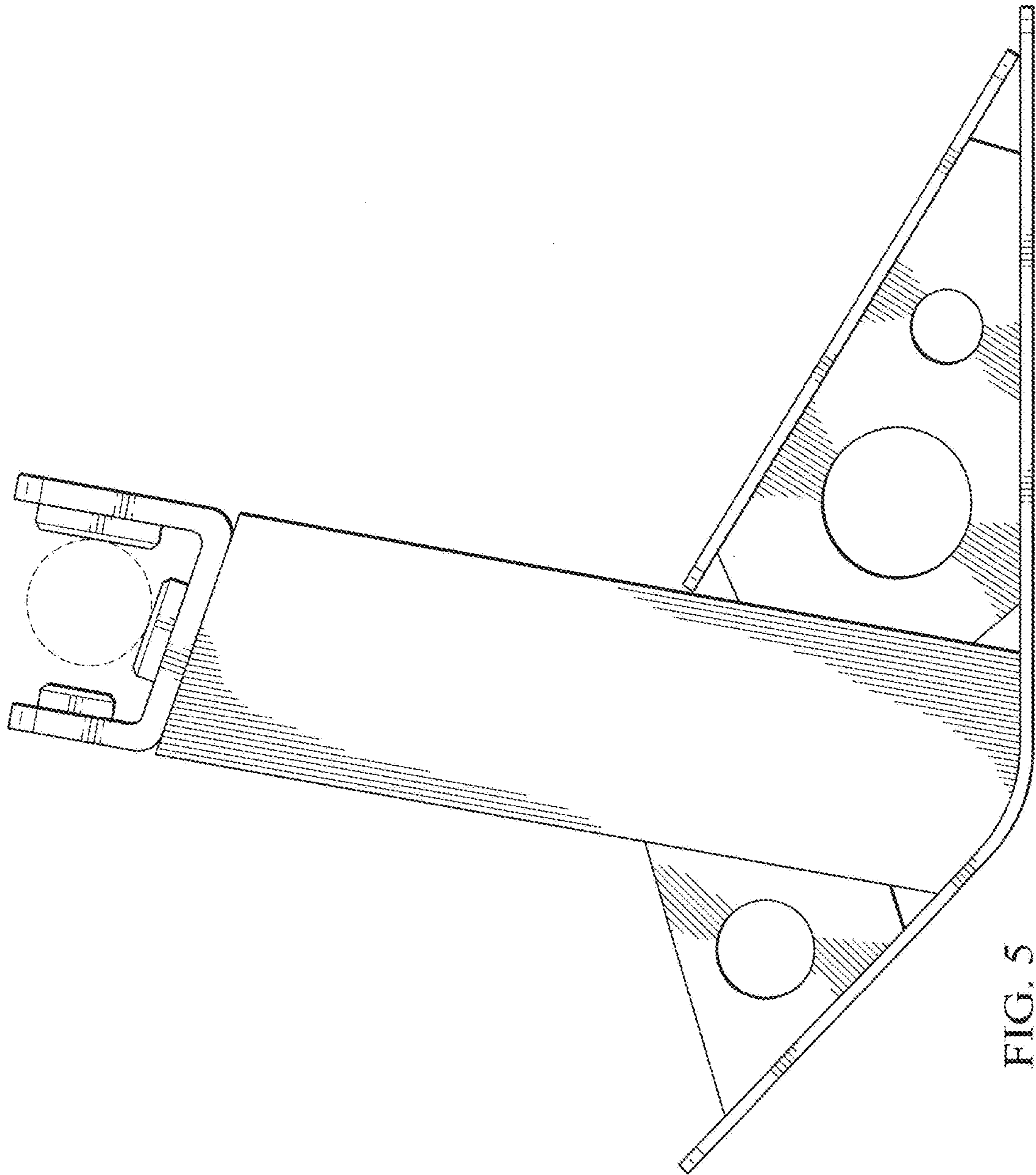


FIG. 5

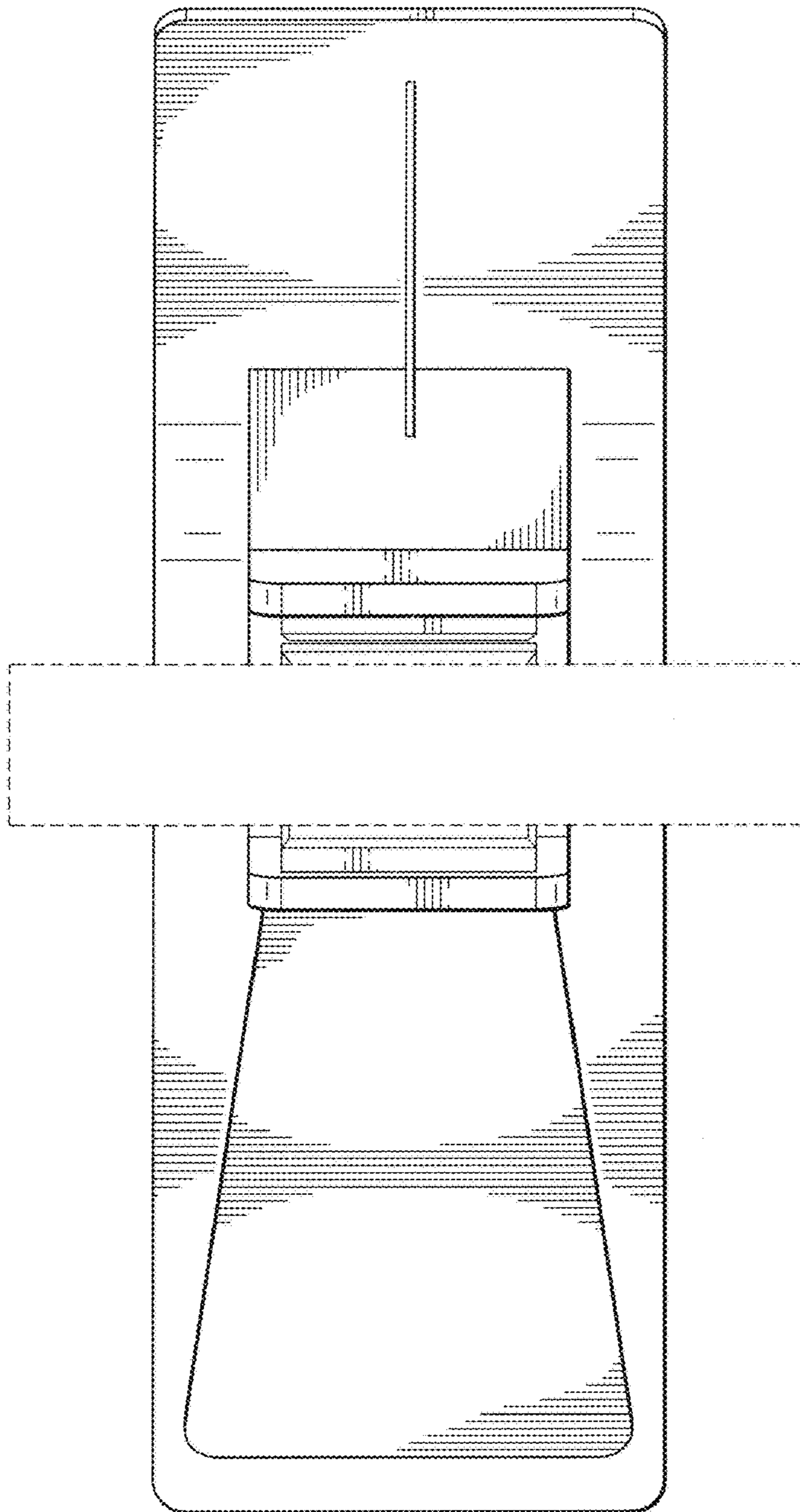


FIG. 6

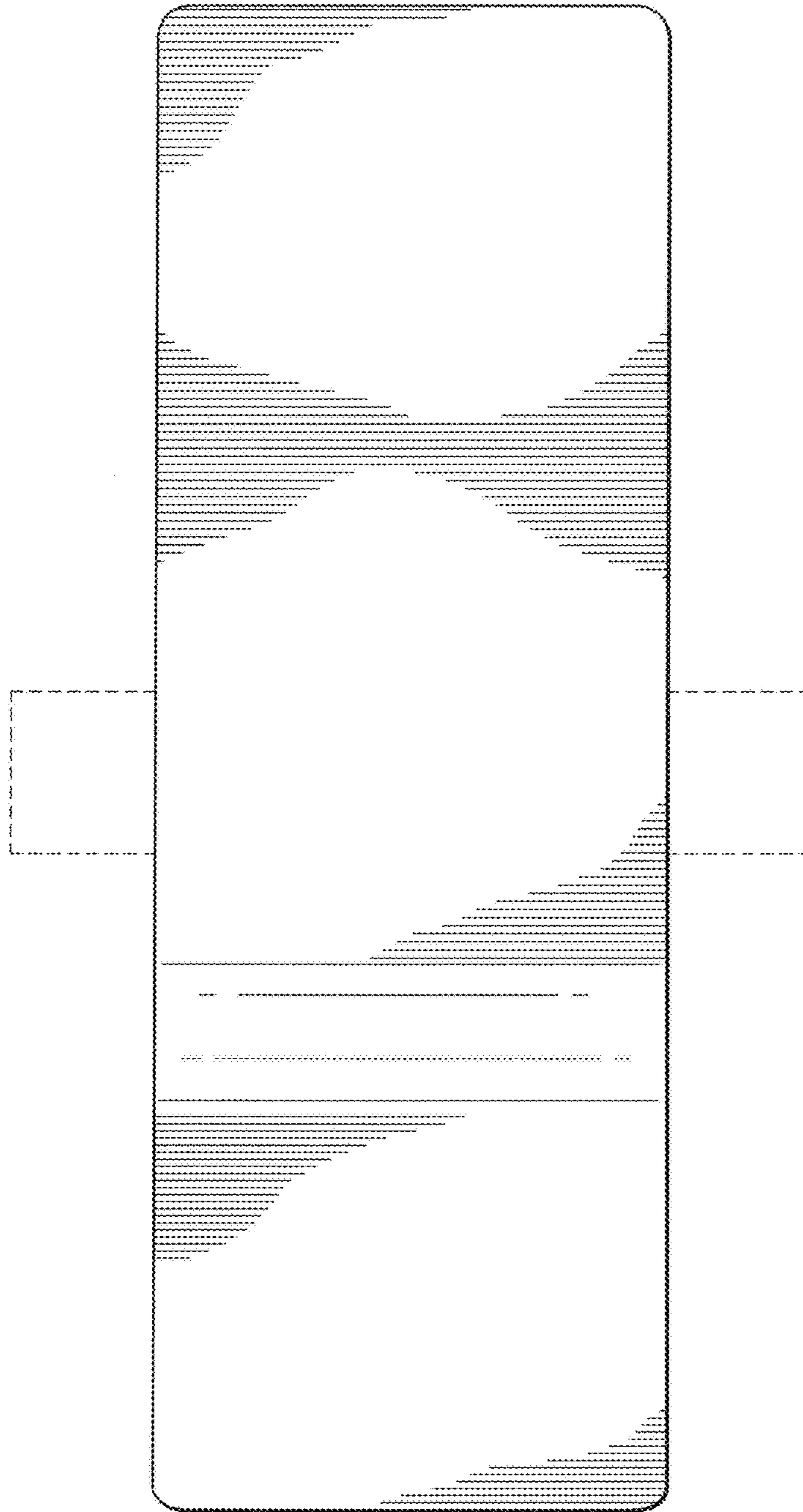


FIG. 7

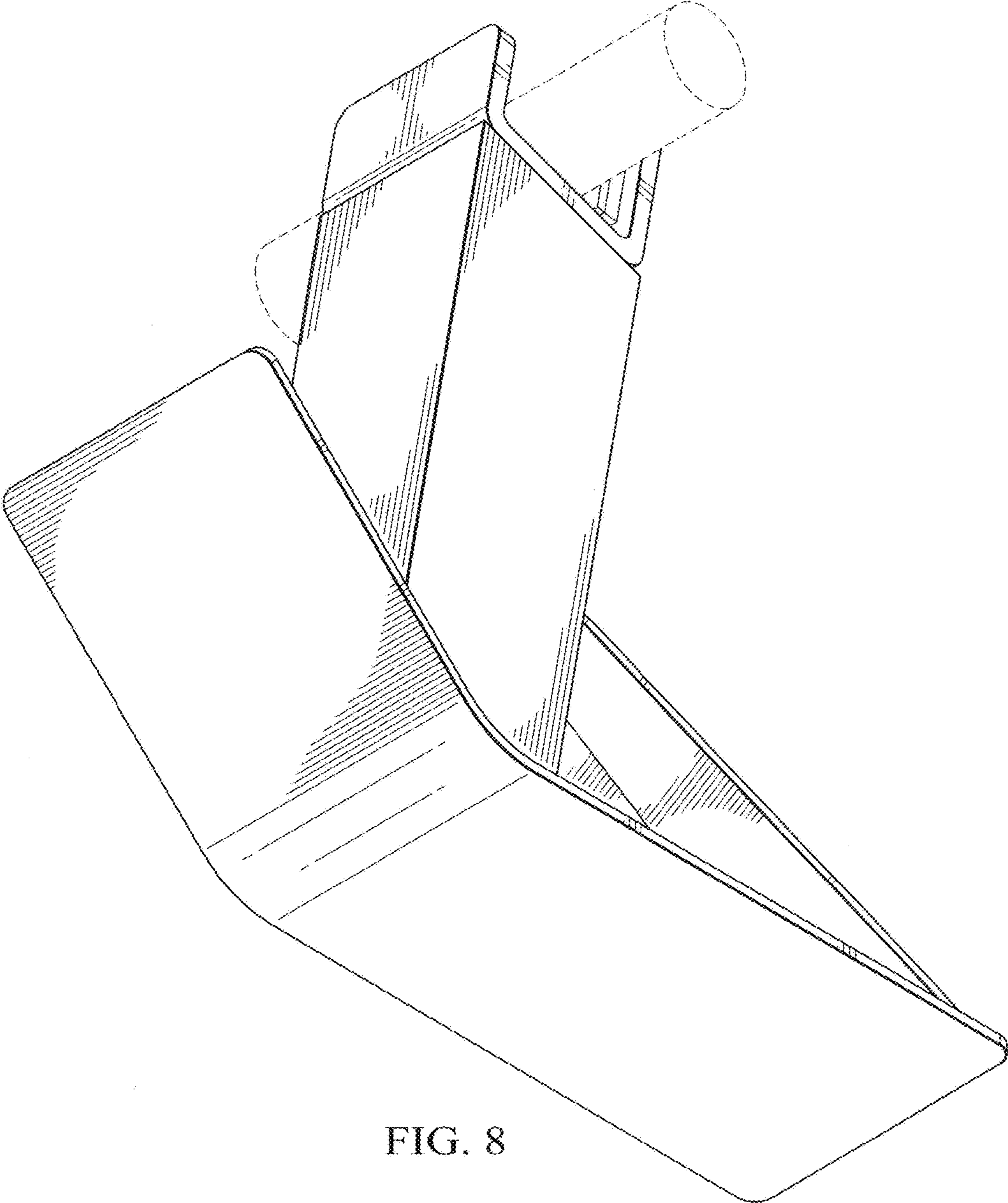


FIG. 8