



US00D843516S

(12) **United States Design Patent**
Allison

(10) **Patent No.:** **US D843,516 S**
(45) **Date of Patent:** **** Mar. 19, 2019**

- (54) **EXERCISE DEVICE**
- (71) Applicant: **Joseph Adam Allison**, Redondo Beach, CA (US)
- (72) Inventor: **Joseph Adam Allison**, Redondo Beach, CA (US)
- (**) Term: **15 Years**
- (21) Appl. No.: **29/602,861**
- (22) Filed: **May 4, 2017**
- (51) **LOC (11) Cl.** **21-02**
- (52) **U.S. Cl.**
USPC **D21/688**
- (58) **Field of Classification Search**
USPC D21/686, 662, 679, 691, 680, 681, 682, D21/684, 685, 688, 800, 692; D24/188, D24/194; D6/349, 601; 482/95, 93, 91, 482/46, 44, 41, 40, 38, 12, 148, 145, 144, 482/142, 141, 139, 132, 128, 121, 112, 482/110, 109, 108, 106
CPC ... A63B 23/1218; A63B 1/00; A63B 21/4035; A63B 21/00047; A63B 23/1236; A63B 21/1636; A63B 21/1645; A63B 21/068; A63B 23/12; A63B 21/0724; A63B 21/1627; A63B 21/169
See application file for complete search history.

- 3,967,820 A * 7/1976 Harper A63B 22/16 280/12.1
- D265,411 S * 7/1982 Hedenblad D21/688
- D276,062 S * 10/1984 Dennis D21/688
- 5,330,399 A * 7/1994 Fan A63B 22/16 403/291
- 5,496,248 A * 3/1996 Batscher A63B 21/0004 482/146
- D375,985 S * 11/1996 Dailey D21/412
- 6,406,406 B1 * 6/2002 Onorati A63B 21/0004 482/44
- D496,706 S * 9/2004 Auberger D21/814
- D502,231 S * 2/2005 Auberger D21/688

(Continued)

Primary Examiner — Ryan Harvey
(74) *Attorney, Agent, or Firm* — Dunlap Bennett & Ludwig PLLC; Brendan E. Squire

(57) **CLAIM**

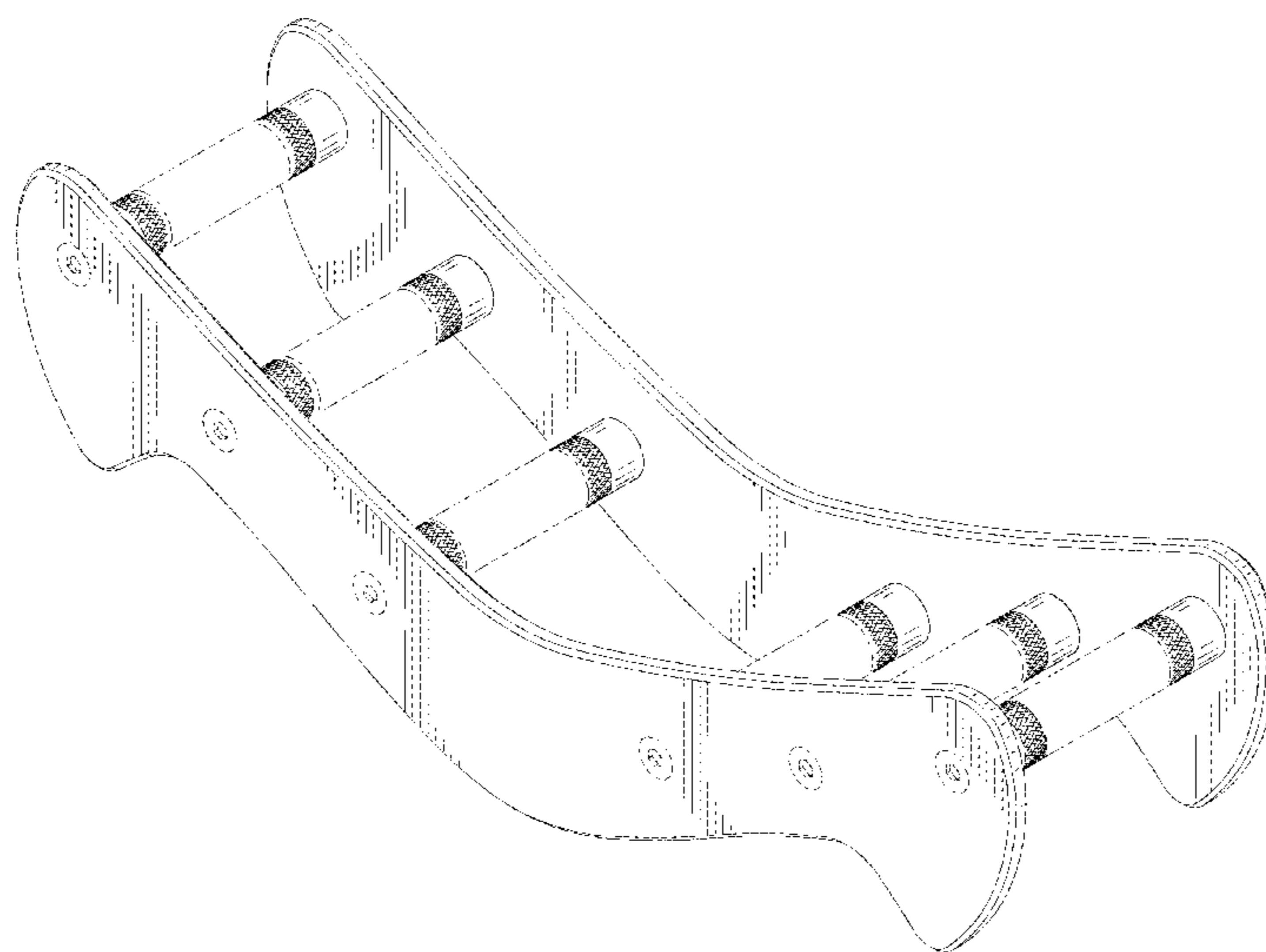
The ornamental design for an exercise device, as shown and described.

DESCRIPTION

FIG. 1 is a perspective view of the exercise device showing my new design;
 FIG. 2 is a front elevation view thereof; the rear elevation view being a mirror image thereof;
 FIG. 3 is a right side elevation view thereof; the left elevation view being a mirror image thereof;
 FIG. 4 is a top plan view thereof;
 FIG. 5 is a bottom plan view thereof; and,
 FIG. 6 is a perspective view of the invention in use.
 The broken lines shown in the drawings illustrate portions of the exercise device that form no part of the claimed design. The exercise device is shown with a symbolic break in its length indicated by the dash dot dot dash lines. The appearance of any portion of the article between the break lines forms no part of the claimed design.
 The broken lines in FIG. 6 showing the exercise device in use illustrates environment and forms no part of the claim.

1 Claim, 4 Drawing Sheets

- (56) **References Cited**
U.S. PATENT DOCUMENTS
- 2,253,996 A * 8/1941 Bechman A63B 22/16 482/146
- 2,950,120 A * 8/1960 Stewart A63B 22/16 280/12.1
- 3,416,792 A * 12/1968 Morgan A63B 22/16 482/146
- 3,451,672 A * 6/1969 Kazdan A63G 11/00 297/451.13



(56)

References Cited

U.S. PATENT DOCUMENTS

D513,297 S * 12/2005 Bourget D21/814
7,563,216 B1 * 7/2009 Kest A63B 22/16
482/140
7,713,182 B2 * 5/2010 Bizzell A63B 21/0004
482/140
D626,607 S * 11/2010 Kim D21/671
D648,403 S * 11/2011 Haniffee D21/688
8,632,445 B2 * 1/2014 Kim A63B 21/4035
482/140
D712,987 S * 9/2014 Salzedo D21/662
D724,163 S * 3/2015 Kelley D21/694
D741,963 S * 10/2015 Baumann D21/688
D812,234 S * 3/2018 Miller D24/188

* cited by examiner

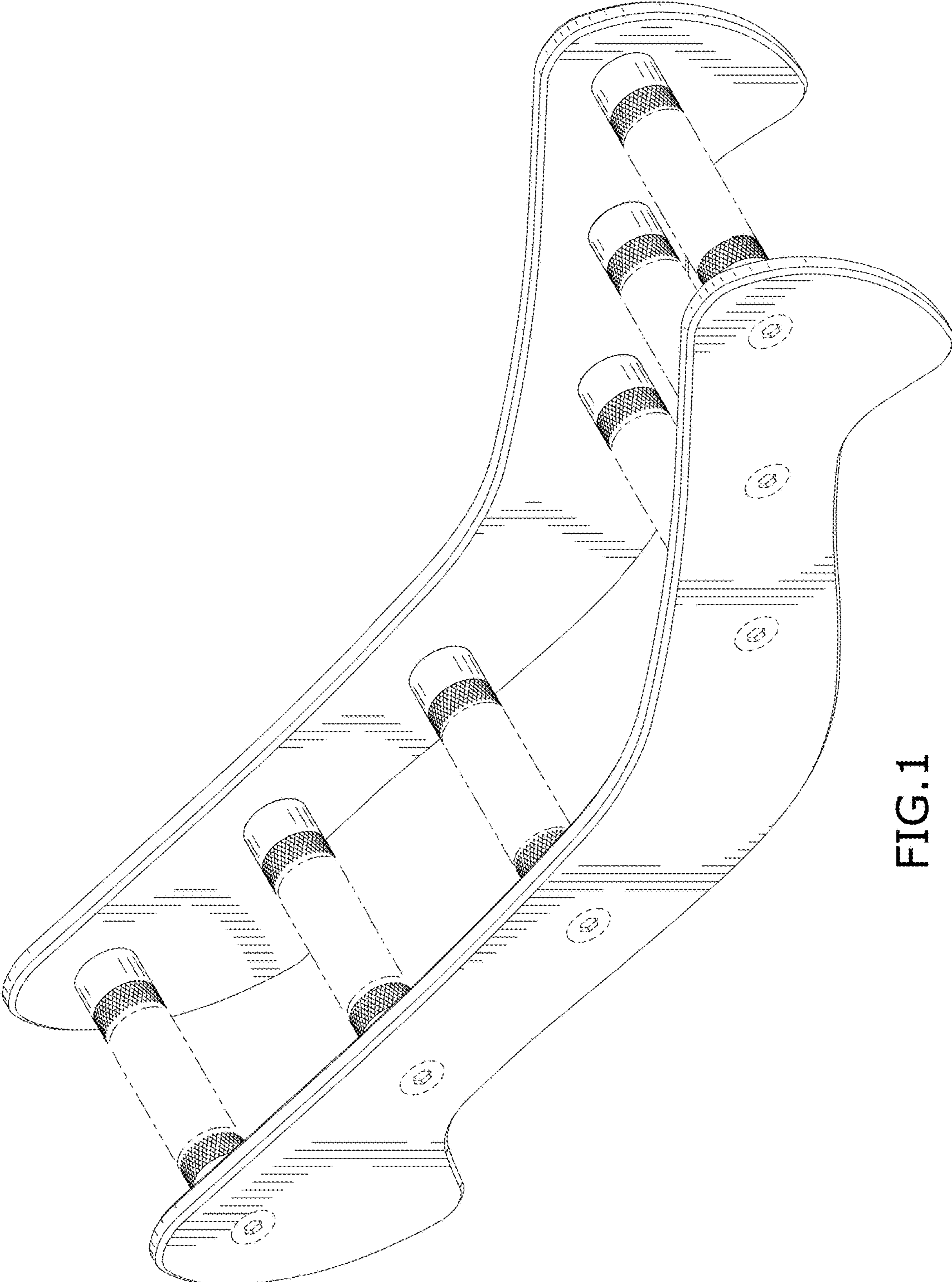


FIG.1

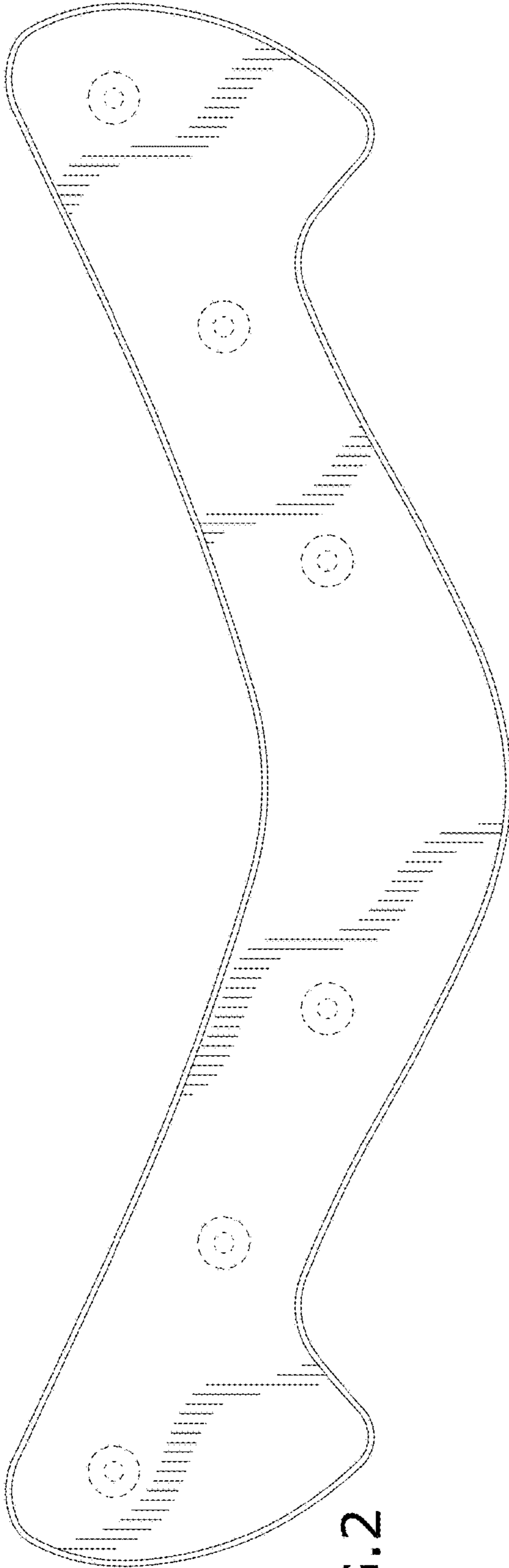


FIG. 2

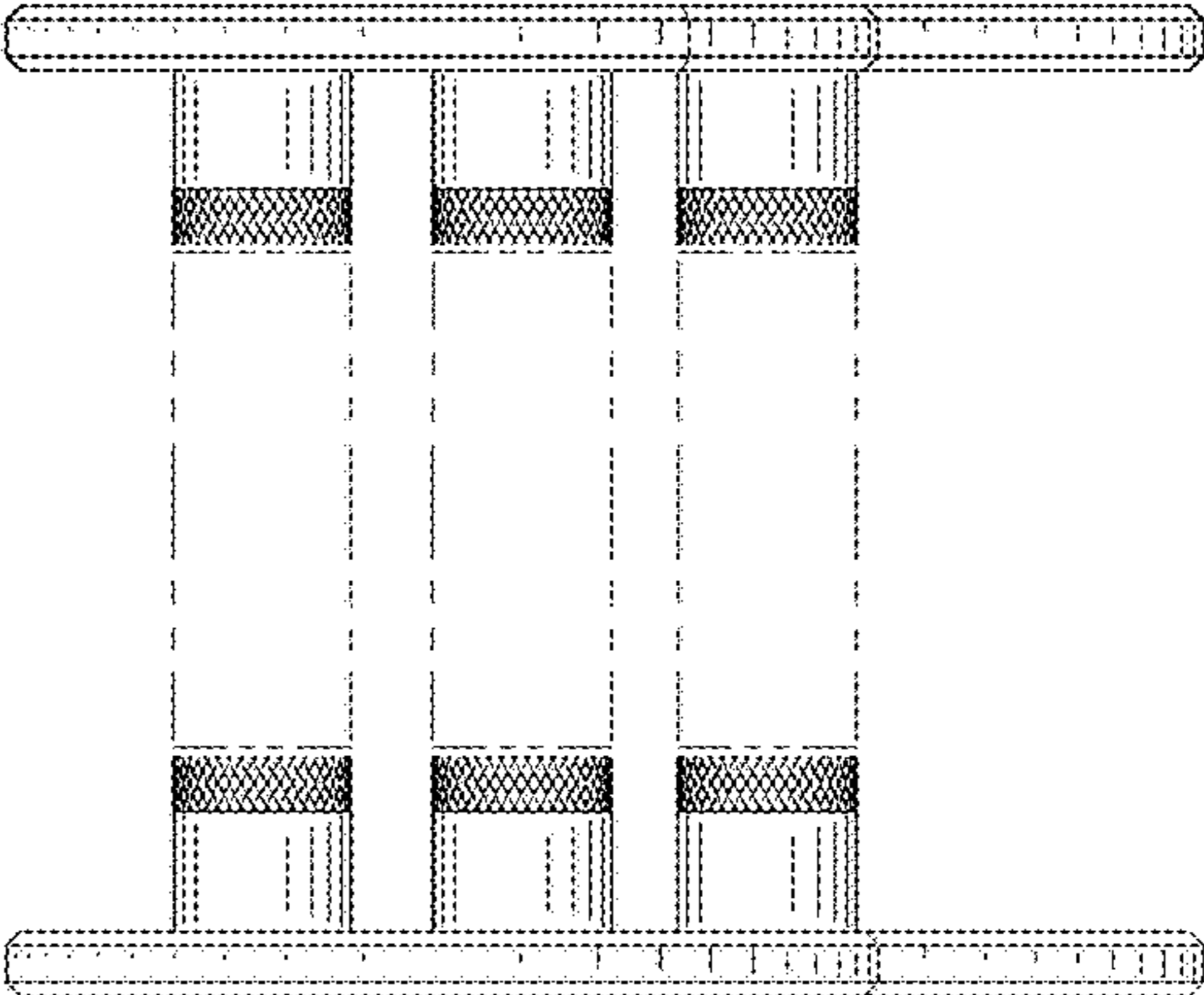


FIG. 3

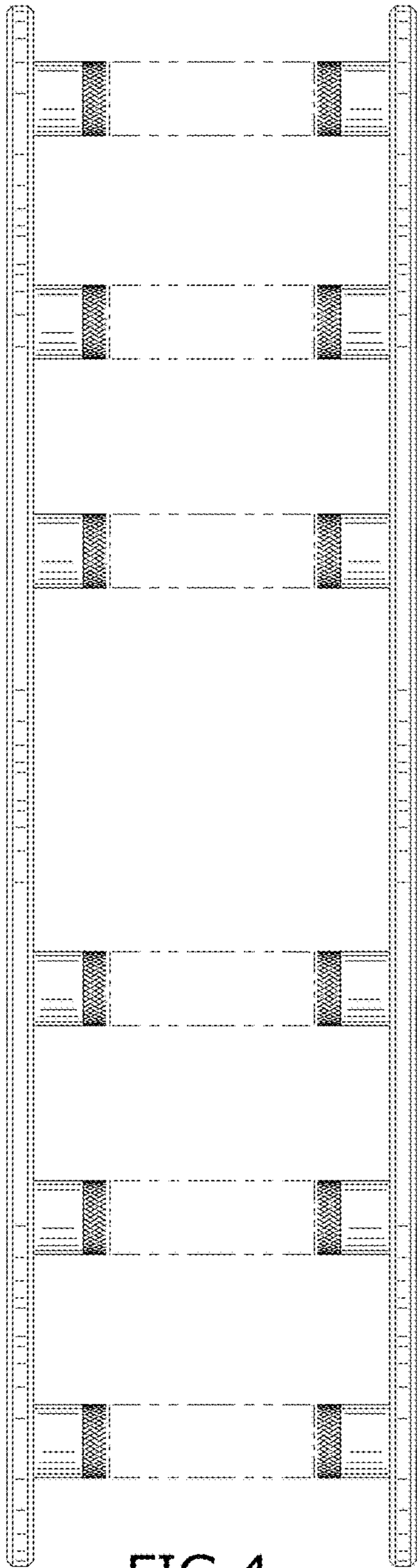


FIG. 4

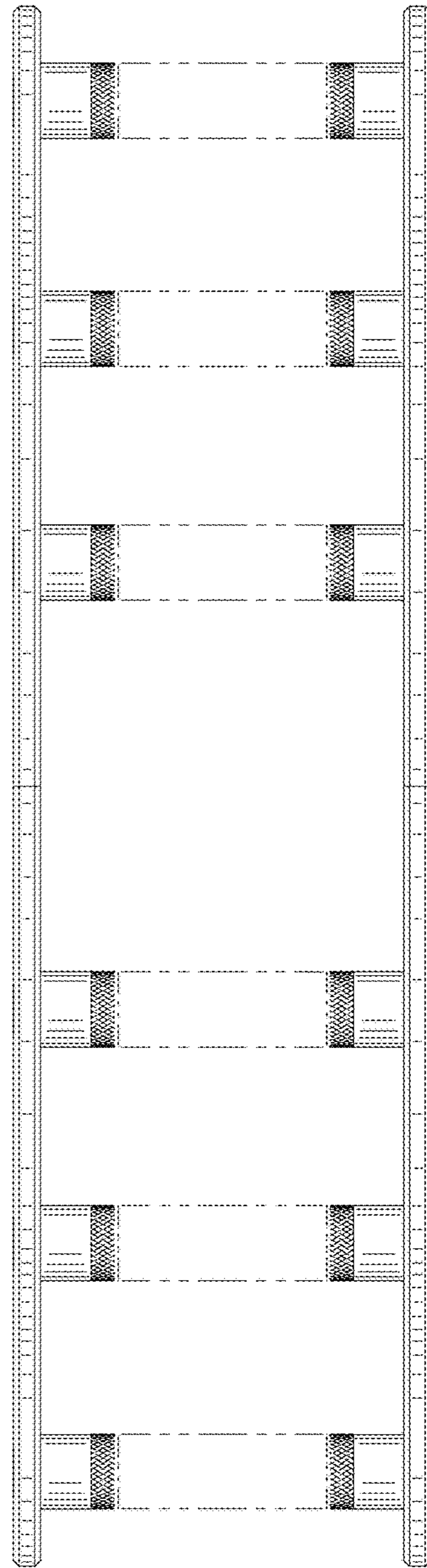


FIG. 5

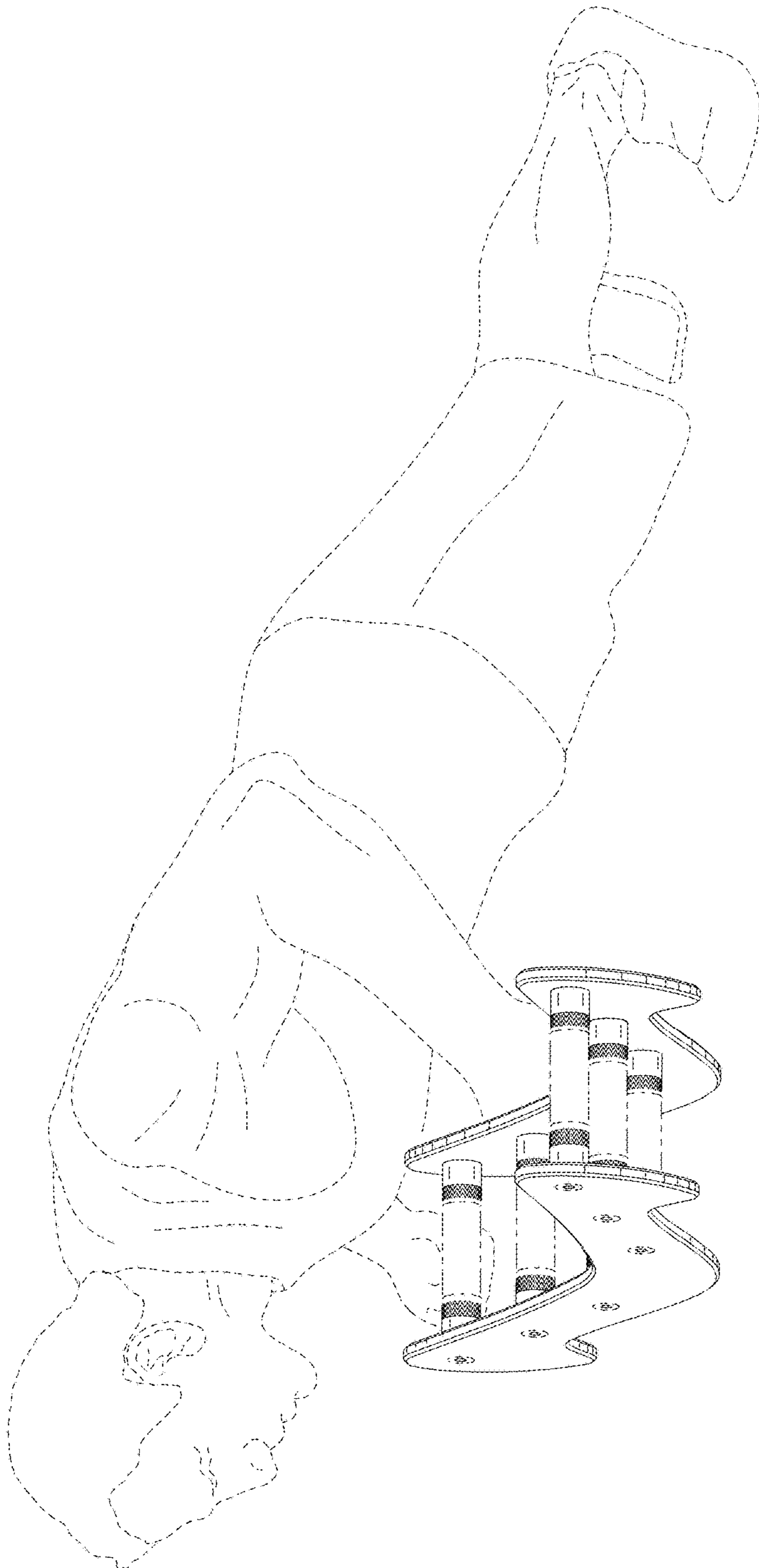


FIG.6