



US00D843511S

(12) **United States Design Patent**  
**Harrison et al.**

(10) **Patent No.:** **US D843,511 S**  
(45) **Date of Patent:** **\*\* Mar. 19, 2019**

(54) **EXERCISE BUCKET**

(71) Applicants: **Phillip Alexander Harrison,**  
Albuquerque, NM (US); **Dominique**  
**Jordan Romero,** San Francisco, CA  
(US)

(72) Inventors: **Phillip Alexander Harrison,**  
Albuquerque, NM (US); **Dominique**  
**Jordan Romero,** San Francisco, CA  
(US)

(\*\*) Term: **15 Years**

(21) Appl. No.: **29/615,242**

(22) Filed: **Aug. 28, 2017**

(51) **LOC (11) Cl.** ..... **21-02**

(52) **U.S. Cl.**  
USPC ..... **D21/682**

(58) **Field of Classification Search**  
USPC ..... D21/680, 682, 681, 686, 662; 482/108,  
482/93, 107, 98, 91, 139, 104  
CPC . A63B 21/075; A63B 21/0728; A63B 21/072;  
A63B 21/00065; A63B 21/0726; A63B  
21/063  
See application file for complete search history.

(56) **References Cited**

**U.S. PATENT DOCUMENTS**

|           |     |         |          |       |              |
|-----------|-----|---------|----------|-------|--------------|
| 5,735,776 | A * | 4/1998  | Swezey   | ..... | A63B 21/0085 |
|           |     |         |          |       | 473/596      |
| D652,877  | S * | 1/2012  | Dalebout | ..... | D21/682      |
| D664,613  | S * | 7/2012  | Dalebout | ..... | D21/682      |
| D692,509  | S * | 10/2013 | Kessler  | ..... | D21/682      |
| D726,264  | S * | 4/2015  | Agate    | ..... | D21/682      |
| D731,011  | S * | 6/2015  | Buchanan | ..... | D21/682      |

|              |      |         |          |       |               |
|--------------|------|---------|----------|-------|---------------|
| D802,994     | S *  | 11/2017 | Seiders  | ..... | D7/392.1      |
| D804,592     | S *  | 12/2017 | Wittmack | ..... | D21/681       |
| 2007/0087914 | A1 * | 4/2007  | Connelly | ..... | A63B 21/072   |
|              |      |         |          |       | 482/93        |
| 2009/0062085 | A1 * | 3/2009  | Polevoy  | ..... | A63B 21/0728  |
|              |      |         |          |       | 482/93        |
| 2011/0306475 | A1 * | 12/2011 | Caswell  | ..... | A63B 21/0601  |
|              |      |         |          |       | 482/93        |
| 2012/0231936 | A1 * | 9/2012  | Krull    | ..... | A63B 21/00065 |
|              |      |         |          |       | 482/93        |
| 2012/0322627 | A1 * | 12/2012 | Emerson  | ..... | A63B 21/075   |
|              |      |         |          |       | 482/93        |

\* cited by examiner

*Primary Examiner* — Ryan Harvey

(74) *Attorney, Agent, or Firm* — MG Miller Intellectual Property Law LLC

(57) **CLAIM**

The ornamental design for an exercise bucket, as shown.

**DESCRIPTION**

FIG. 1 is a perspective view of exercise bucket showing our new design.

FIG. 2 is a front view of the exercise bucket shown in FIG. 1.

FIG. 3 is a rear view of the exercise bucket shown in FIG. 1.

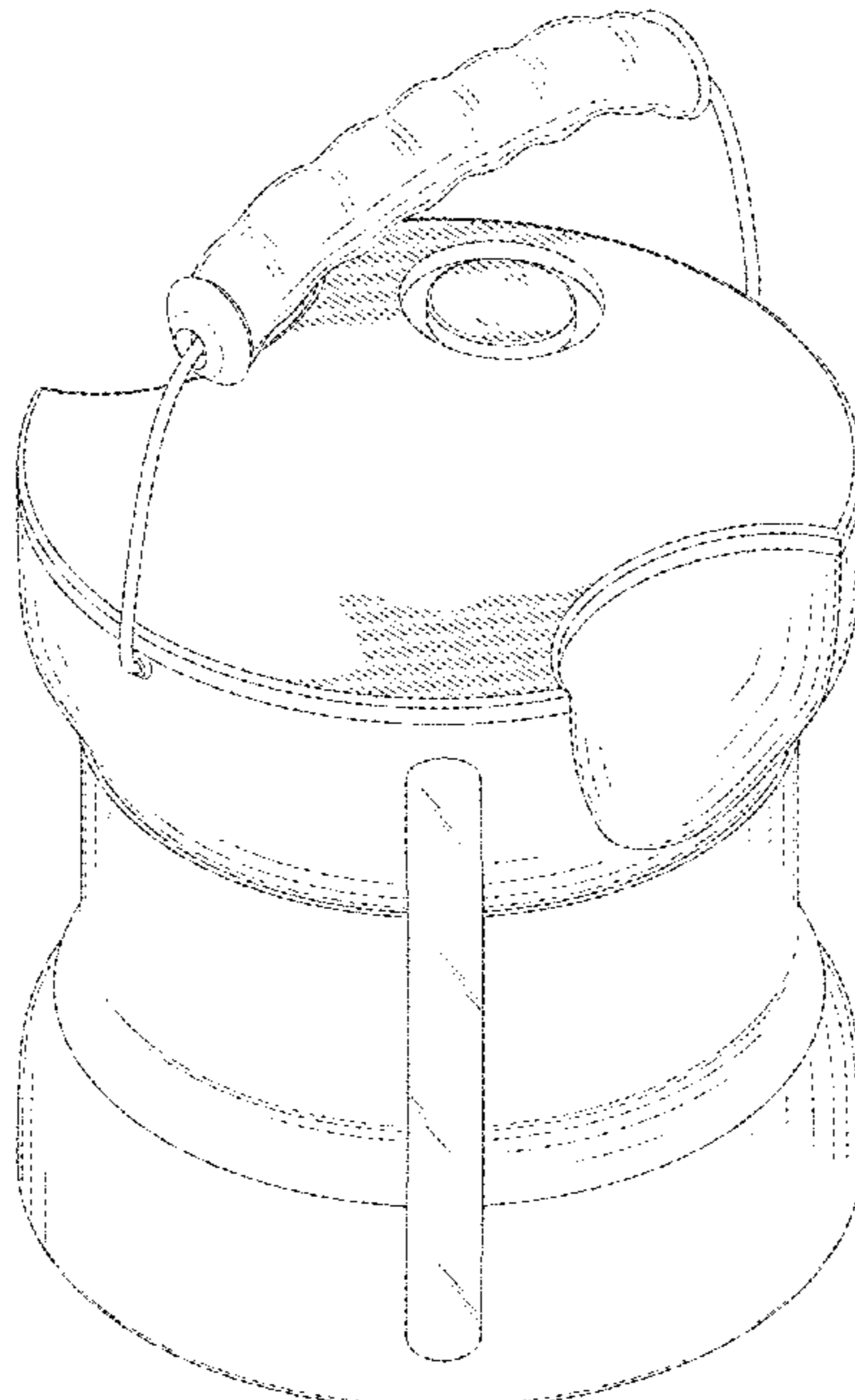
FIG. 4 is a left side view of the exercise bucket shown in FIG. 1.

FIG. 5 is a right side view of the exercise bucket shown in FIG. 1.

FIG. 6 is a top view of the exercise bucket shown in FIG. 1; and,

FIG. 7 is a bottom view of the exercise bucket shown in FIG. 1.

**1 Claim, 7 Drawing Sheets**



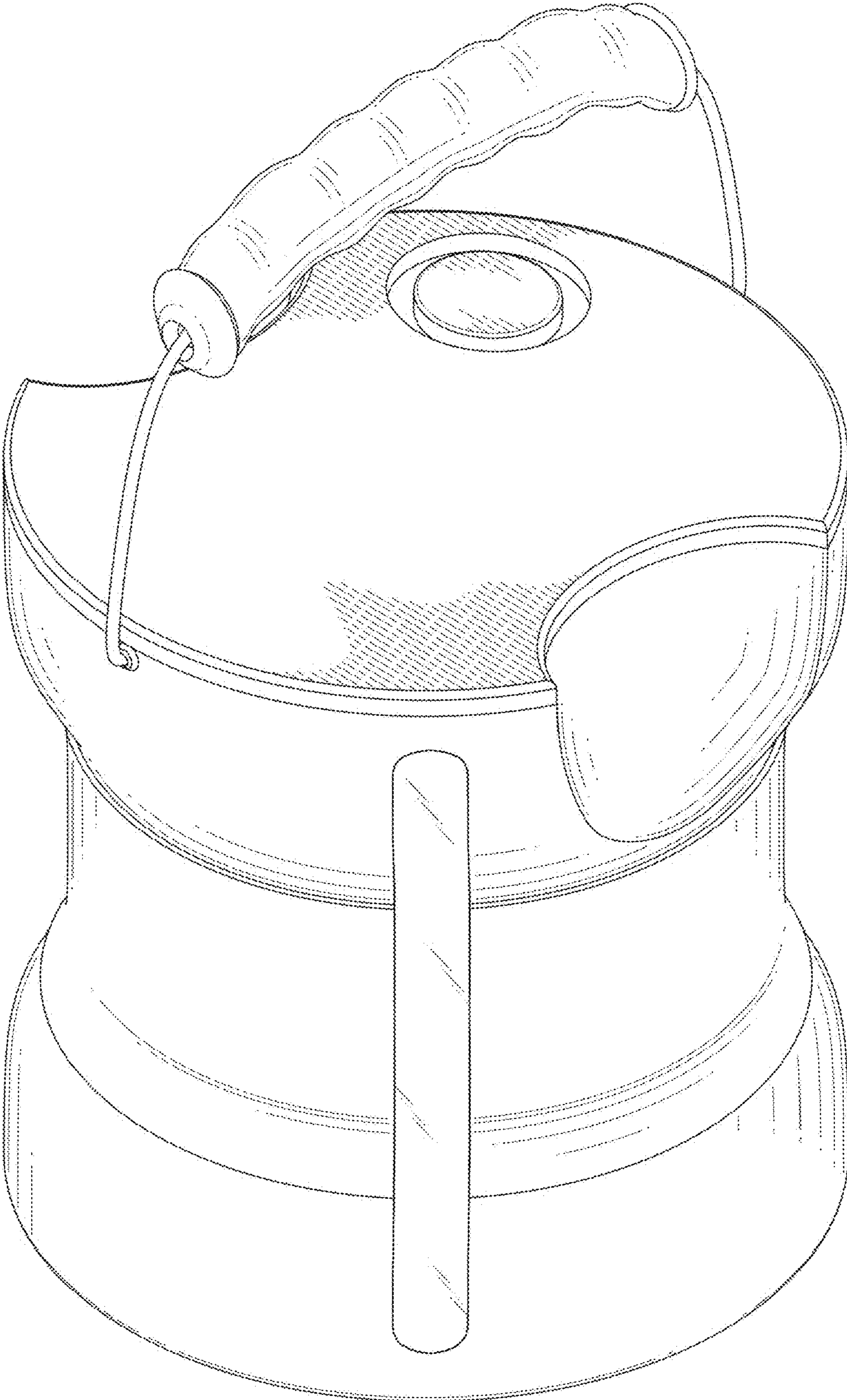


FIG. 1

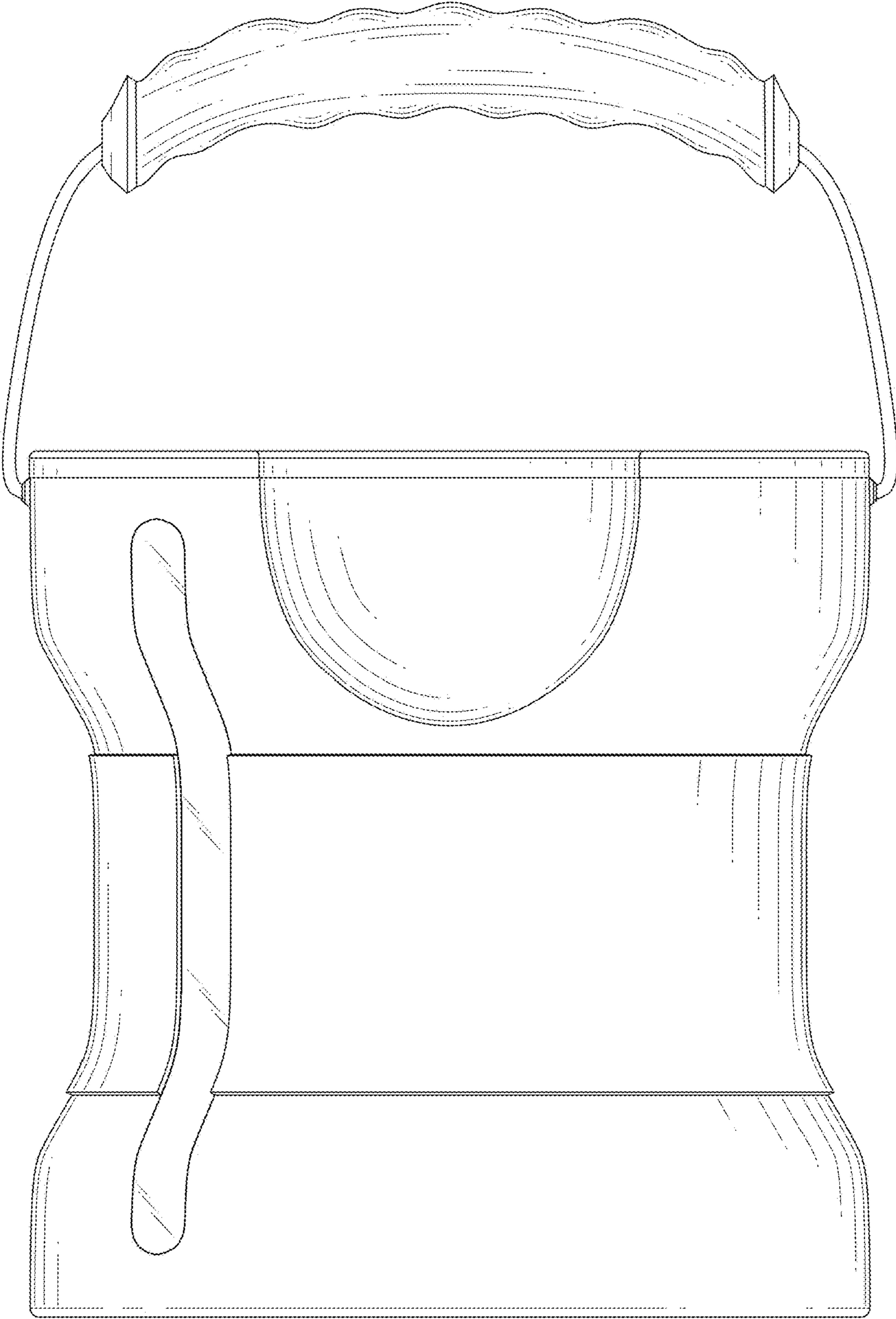


FIG. 2

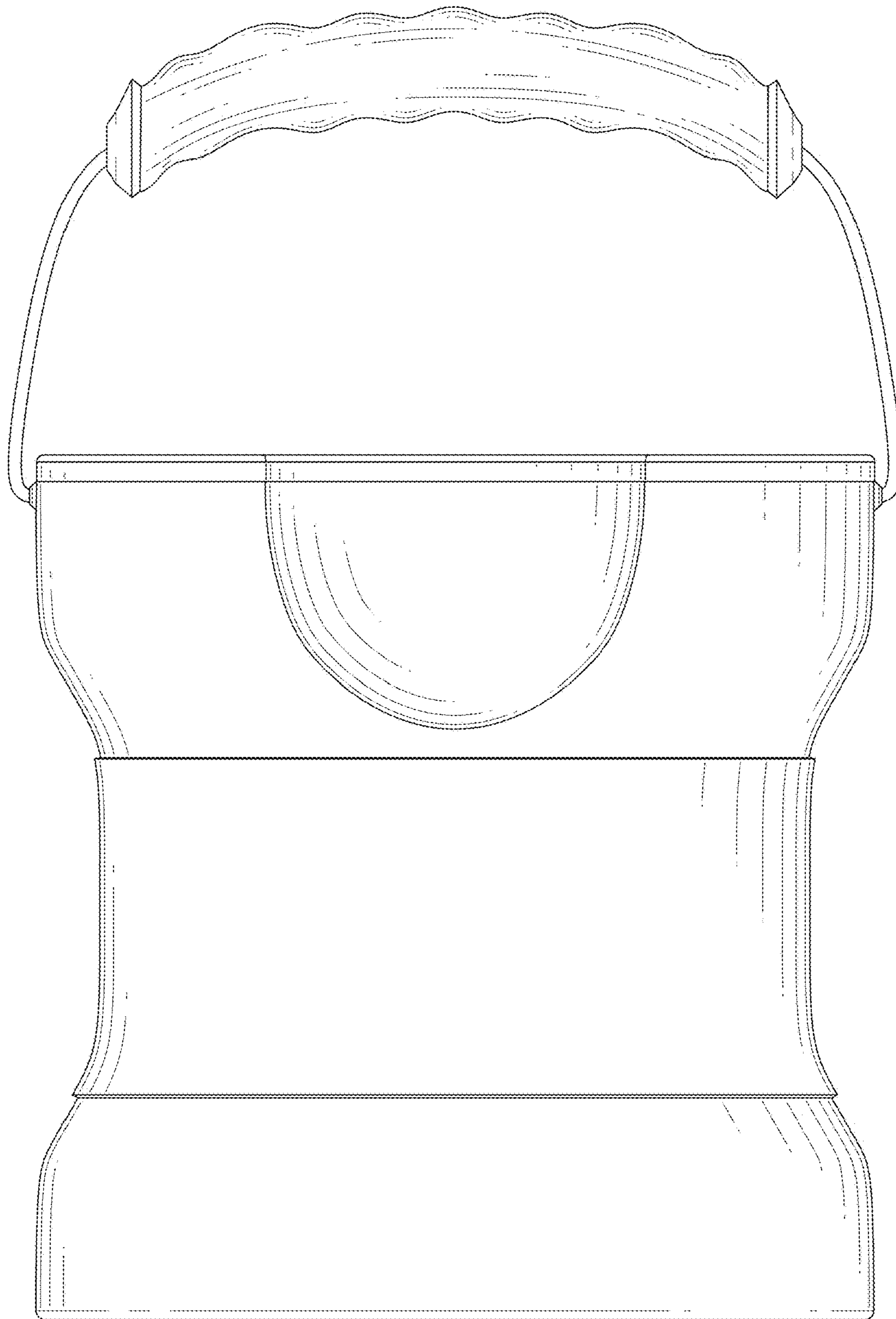


FIG. 3

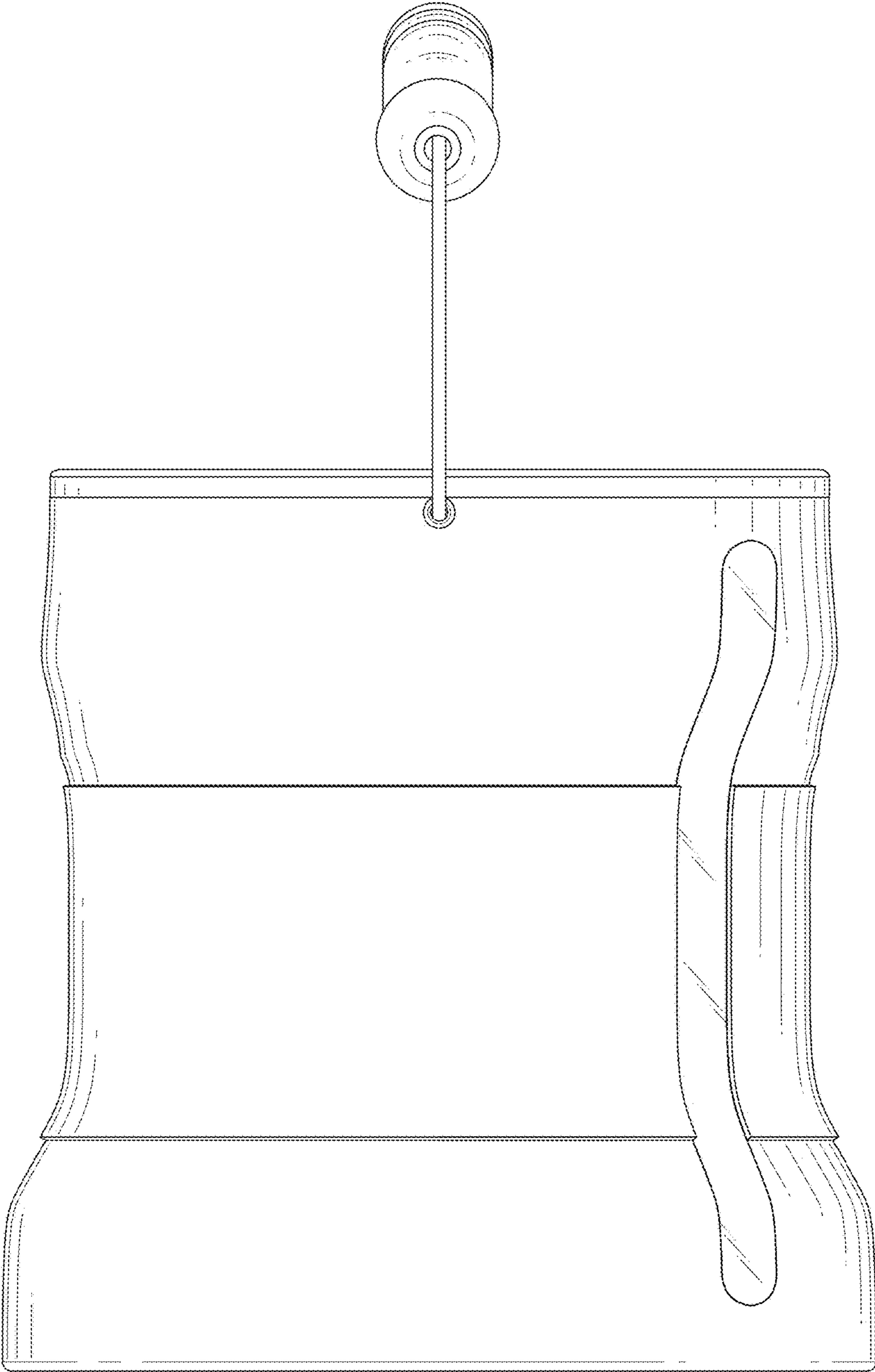


FIG. 4

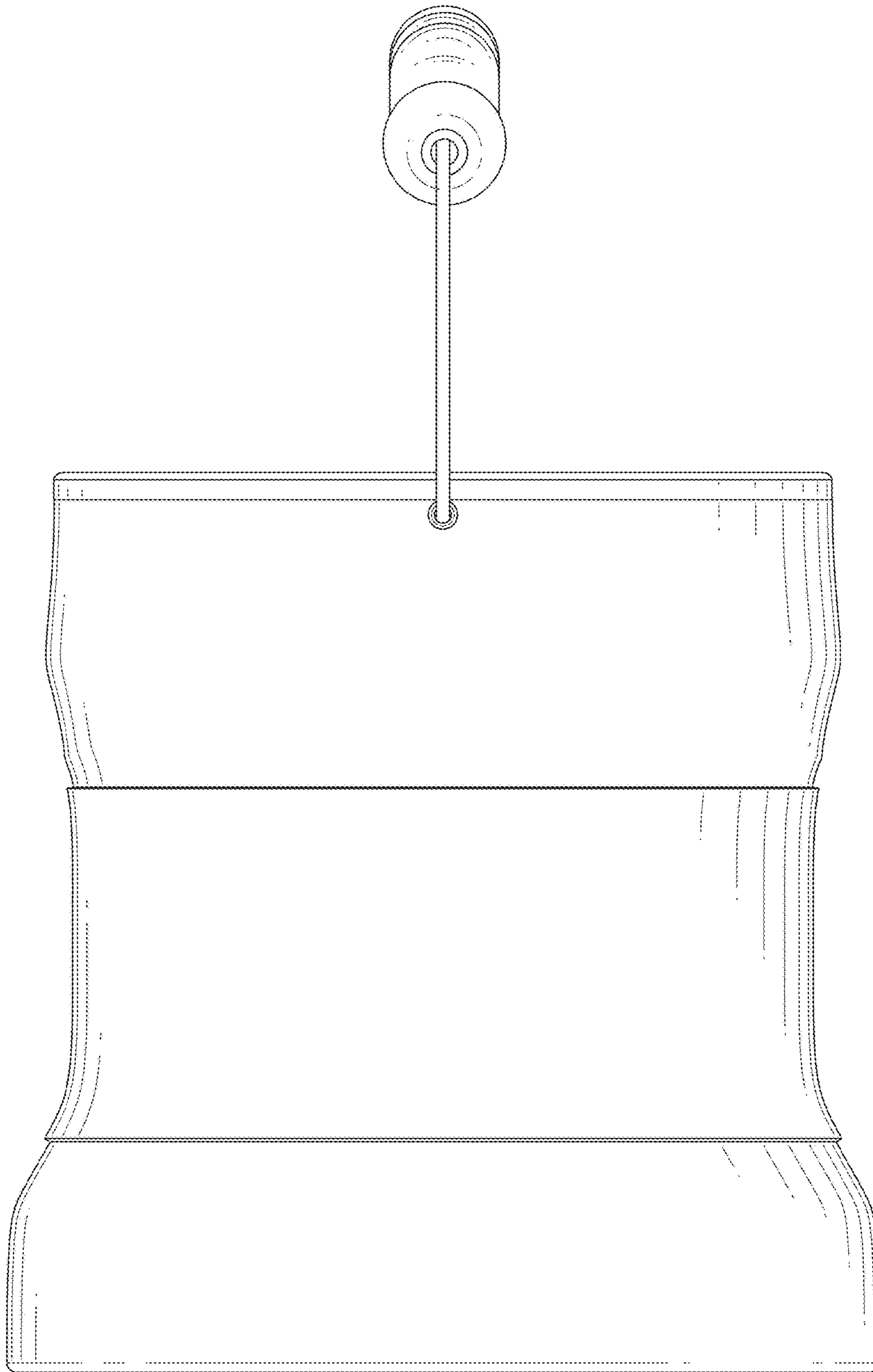


FIG. 5

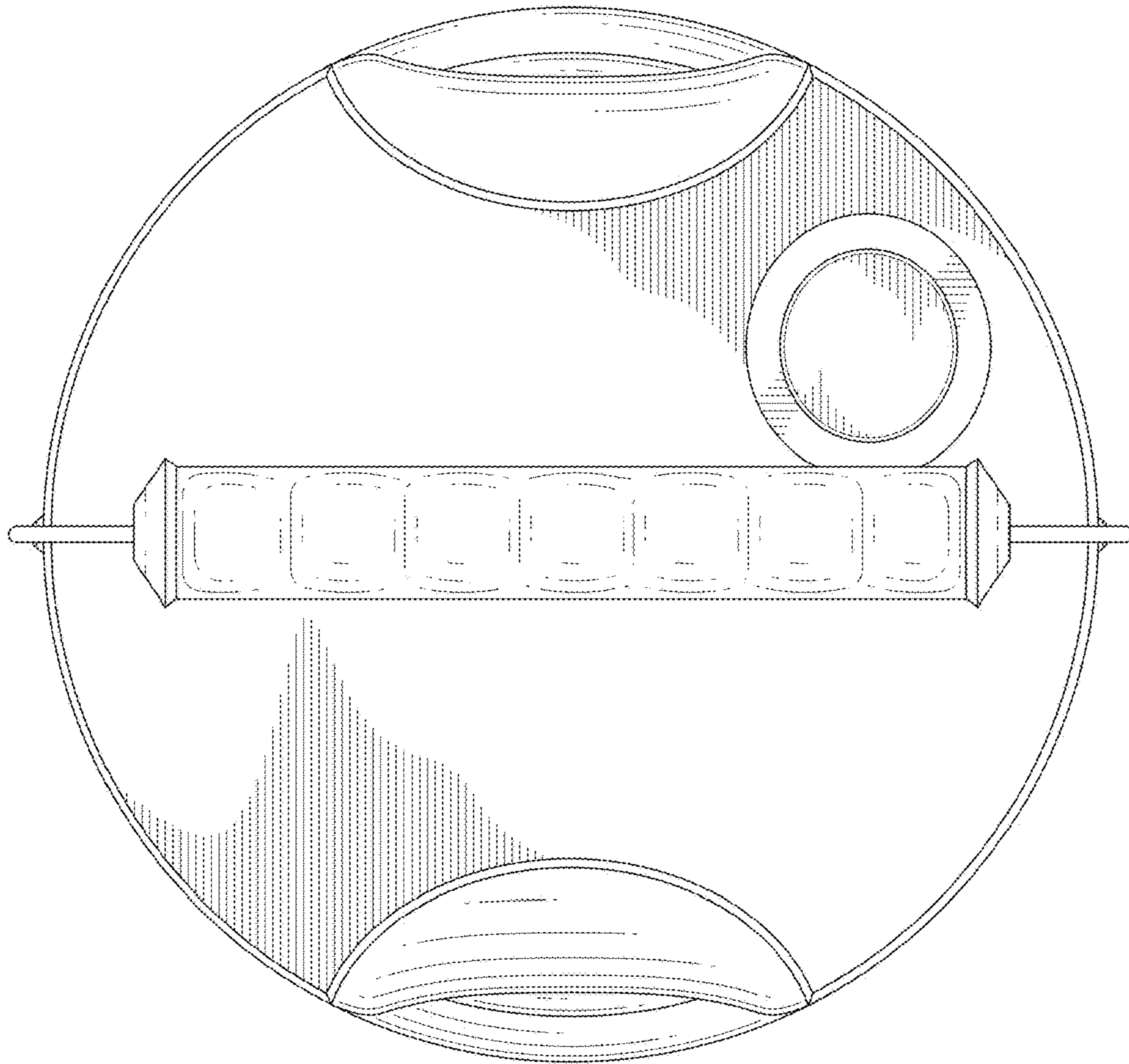


FIG. 6

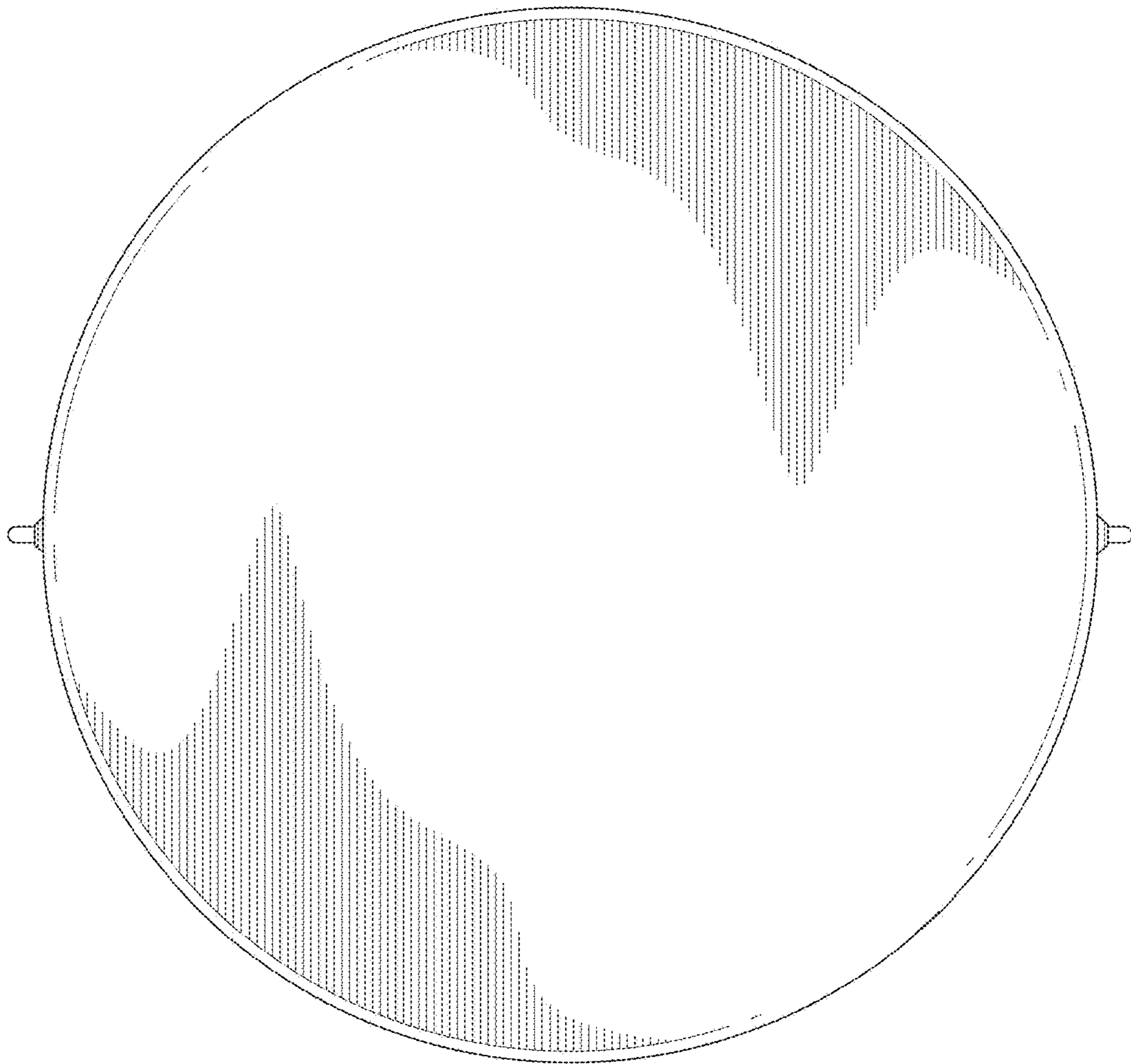


FIG. 7